



# Casey's


# SIGN PACKET

# FRANKLIN, OH #5156

## NEW STORE

 **PERSONA TRIANGLE**  
FACILITY SERVICES | LIGHTING | SIGNAGE

700 21st St SW  
Watertown, SD 57201  
Tel: 800.843.9888  
www.personatriangle.com

<b>Customer:</b> CASEY'S	<b>Project No.:</b> 515398	<b>Request No.:</b> 78491	 This sign is intended to be installed in accordance with the requirements of Article 600 of the National Electric Code and/or other applicable local codes. This includes proper grounding and bonding of the sign.	<b>Customer Approval (Please Initial):</b>
<b>Location:</b> FRANKLIN, OH	<b>Prepared By:</b> AL			
<b>File Name:</b> 515398 - R1 - SITE 5156 - FRANKLIN, OH	<b>Date:</b> 5/15/25	<b>Revision:</b> 1	This is an original document created by Persona Signs, LLC provided specifically to the client for the client's personal use. This document should not be shared, reproduced, disclosed or otherwise used without written permission from Persona Signs, LLC.	<b>Approval Date:</b>

## Building & Wall Signs (U4 Flat Roof)

Sign #	Sign	Type	Location	Illumination	Dimensions				
					Height	Width	Bottom	Top	Area Ft <sup>2</sup>
1	"Casey's"	Surface	Building Front	Internal	6'-0"	15' 4-1/4"	12' 7"	18' 7"	37.85
2	<b>NOT INSTALL</b>								
								<b>Total</b>	<b>37.85</b>

## Canopy

Sign #	Sign	Type	Location	Illumination	Dimensions				
					Height	Width	Bottom	Top	Area Ft <sup>2</sup>
5	"Casey's"	Surface	Canopy Front	Internal	2' 5"	6' 2-3/16"	17' 3"	19' 8"	6.14
5	"Casey's"	Surface	Canopy Side	Internal	2' 5"	6' 2-3/16"	17' 3"	19' 8"	6.14
5	"Casey's"	Surface	Canopy Side	Internal	2' 5"	6' 2-3/16"	17' 3"	19' 8"	6.14
								<b>Total</b>	<b>18.42</b>

## Brick Monument Sign (6' OAH)


Sign #	Sign	Type	Location	Illumination	Dimensions				
					Height	Width	Bottom	Top	Area Ft <sup>2</sup>
6	Price Sign	Freestanding	Street	Internal	4' 4"	9' 9"	0' 11"	5' 3"	42.25
	Product Flag	Freestanding	Street	N/A	1' 6"	2' 6"	3' 0"	4' 6"	5
								<b>Total</b>	<b>47.25</b>



1



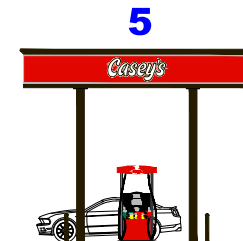
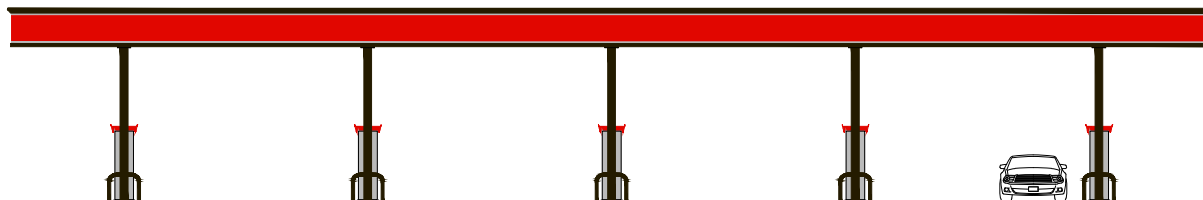
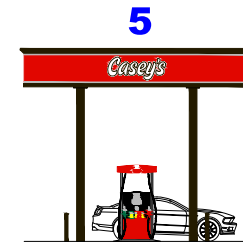
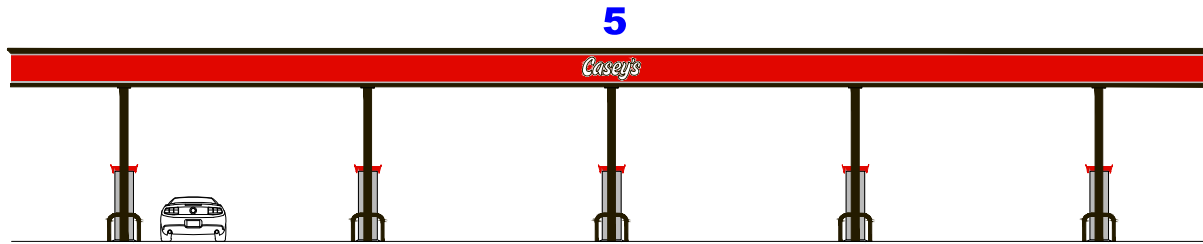
<i>Customer:</i> <b>CASEY'S</b>	<i>Project No.:</i> <b>515398</b>	<i>Request No.:</i> <b>78491</b>
<i>Location:</i> <b>FRANKLIN, OH</b>	<i>Prepared By:</i> <b>ALVC</b>	
<i>File Name:</i> <b>515398 - R1 - SITE 5156 - FRANKLIN, OH</b>	<i>Date:</i> <b>07/30/25</b>	<i>Revision:</i> <b>1</b>

 This sign is intended to be installed in accordance with the requirements of Article 600 of the National Electric Code and/or other applicable local codes. This includes proper grounding and bonding of the sign.
This is an original document created by Persona Signs, LLC provided specifically to the client for the client's personal use. This document should not be shared, reproduced, disclosed or otherwise used without written permission from Persona Signs, LLC.

*Customer Approval (Please Initial):*

*Approval Date:*

# SIGN 5



This sign is intended to be installed in accordance with the requirements of Article 600 of the National Electric Code and/or other applicable local codes. This includes proper grounding and bonding of the sign.

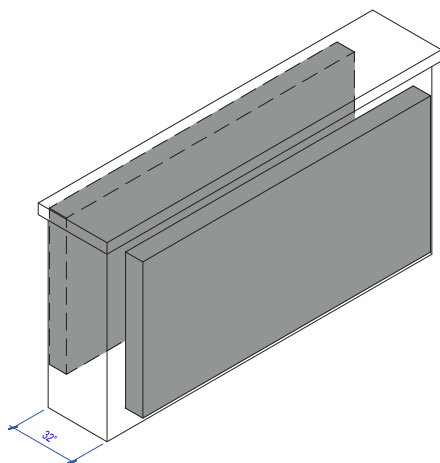
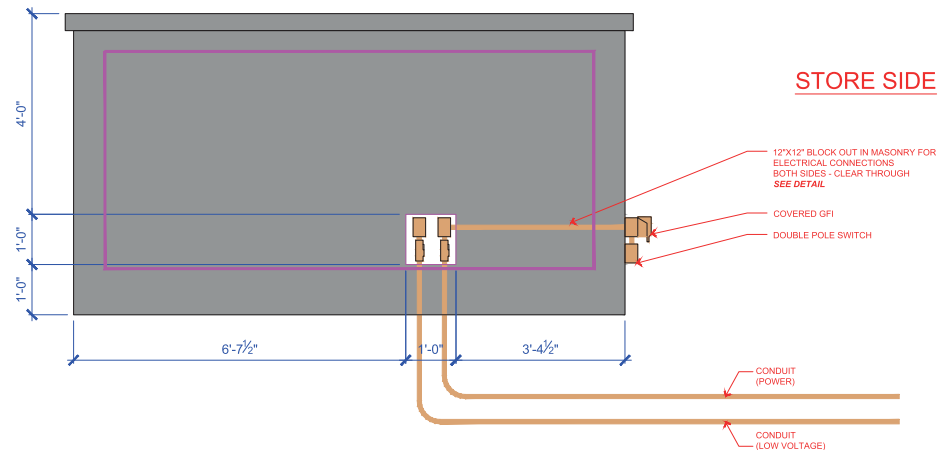
This is an original document created by Persona Signs, LLC provided specifically to the client for the client's personal use. This document should not be shared, reproduced, disclosed or otherwise used without written permission from Persona Signs, LLC.

Customer Approval (Please Initial):

Approval Date:

**Brick Monument Sign (6' OAH)**

Sign #	Sign	Type	Location	Illumination	Dimensions				
					Height	Width	Bottom	Top	Area Ft <sup>2</sup>
6	Price Sign	Freestanding	Street	Internal	4' 4"	9' 9"	0' 11"	5' 3"	42.25
	Product Flag	Freestanding	Street	N/A	1' 6"	2' 6"	3' 0"	4' 6"	5
<b>Total</b>								<b>47.25</b>	

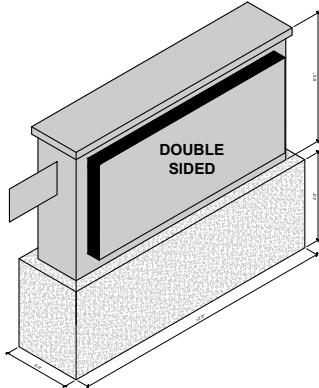


**PRICER NOTES:**

- 13" RED AND GREEN LED DIGITS
- STATIC LABELS, NON-INTERCHANGEABLE
- DIESEL ON THE RIGHT, BOTH SIDES

**OTHER NOTES**

- PRODUCT "FLAG" IS NON-ILLUMINATED
- CABINET IS BLACK IN COLOR
- 300' WIRELESS KEYPAD RANGE



4 Isometric  
3/8" = 1'-0"

VERIFY ALL BUILDING, CANOPY, & STREET SIGNAGE WITH "SIGN PACKET"

### General Notes

1. RELATED SHEETS: FOR ADDITIONAL INFORMATION NOT DIRECTLY REFERENCED, SEE THE FOLLOWING SHEETS:  
 G-001 FOR GENERAL PROJECT NOTES  
 AL-101 FOR GENERAL SITE PLAN  
 CIVL FOR SIGN LOCATION
2. ALL SIGNAGE TO COMPLY WITH LOCAL CODES AND ADOPTED SIGN REGULATIONS
3. \*\*VERIFY ALL SIGN PERMITS\*\*

### Design Criteria

1. DESIGN IS BASED ON 115 MPH 3 SEC GUST DESIGN SPEED PER ASCE 7-10, EXPOSURE C, RISK CATEGORY 2.
2. FOUNDATION IS BASED ON CONSTANT BEARING CAPACITY OF 1,500 PSF AND TEMPORARY CAPACITY OF 2,000 PSF (PLAIN WIND LOAD), WITH PASSIVE OF 300 PSF PER FT BELOW FROST DEPTH. ALLOWABLE BEARING PRESSURE SHOULD BE VERIFIED PRIOR TO PLACEMENT OF CONCRETE. DO NOT PLACE FOUNDATION BELOW FROST DEPTH.
3. CONCRETE SHALL BE MIXED TO ATTAIN A MIN. COMPRESSIVE STRENGTH OF 4,000 PSI IN 28 DAYS.
4. STEEL REINFORCING BARS SHALL BE ASTM A615, GRADE 60, DEFORMED BARS. WELDING OF REINFORCING BARS IS PROHIBITED.

### Electrical Criteria

1. CASEY'S SQUARE CABINET SIGN 120 VOLT / 3.28 AMPS TOTAL
2. THREE PRODUCT DIGITAL PRICE SIGN 120 VOLT / 50 HZ / 4 AMPS TOTAL
3. CUT OFF SWITCH LOCATED INSIDE OF SIGN CABINET.
4. CONDUIT TO MANAGERS OFFICE FOR DIGITAL SIGN.
5. DIGITAL SIGN SWITCH TO BE ON W SALES AREA LIGHTS.
6. BELDON #1420 A 0601000 - FOR DIGITAL SIGN.

### Monument Sign Installation

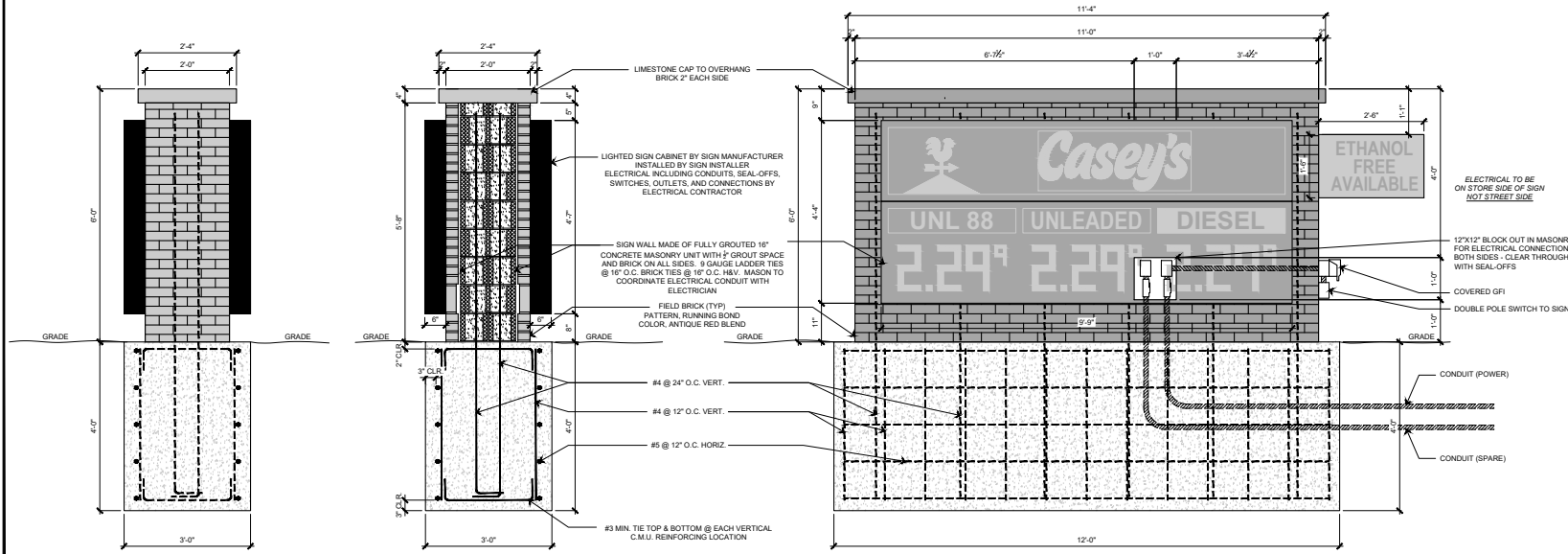
1. GENERAL CONTRACTOR - VERIFY SIGN PERMITS.
2. GENERAL CONTRACTOR - VERIFY LOCATION W SITE & CIVIL PLANS.
3. GENERAL CONTRACTOR - CAUTION! LOOK UP. POWER LINES SHOULD NOT BE OVER SIGN LOCATION.
4. GENERAL CONTRACTOR - VERIFY ANY UNDERGROUND UTILITIES.
5. GENERAL CONTRACTOR - EXCAVATE FOR FOOTING.
6. GENERAL CONTRACTOR - INSTALL REBAR, CONDUIT.
7. GENERAL CONTRACTOR - POUR CONCRETE SIGN BASE. ALLOW FOR PROPER CURE TIME BEFORE SETTING MASONRY.
8. GENERAL CONTRACTOR - COMPLETE FINISH MASONRY WORK INCLUDING LIMESTONE CAP.
9. SIGN CONTRACTOR - VERIFY SIGN PERMITS.
10. SIGN CONTRACTOR - HOIST SIGNS INTO POSITION AND CONNECT WITH PROPER HARDWARE.
11. SIGN CONTRACTOR - CONNECT TEMPORARY POWER TO TEST PRICE SIGN(S) AND HOUSE LOGO.
12. GENERAL CONTRACTOR - CONNECT FINAL ELECTRICAL CONNECTIONS AND TEST FOR CONTINUITY AND GROUND.
13. GENERAL CONTRACTOR - INSTALL LOCAL DISCONNECT SWITCH WITH WEATHER PROOF BOX FOR MONUMENT PRICE SIGN. USE A WEATHER PROOF BELL BOX #270, OR RACO S320-3 WEATHER PROOF DIECAST ALUMINUM BOX W/ WIND, 5155 WEATHER PROOF SWITCH COVER, OR EQUAL.

### General Construction Notes

- 1.) UNDERGROUND CONDUIT TRANSITION TO SCH 40 PVC INTERIOR OF STORE.
- 2.) UNDERGROUND CONDUIT TO BE SCH 80 PVC EXTERIOR WITH THE LAST 1' AT EACH END CONNECTION TO BE GALV. RIGID.

### 3 Product Brick Monument @ 6'

 CESO PROJECT NO. 786139	SHOWN FOR REFERENCE ONLY	SIGNAGE SCHEDULE MONUMENT SIGN ELEVATIONS/DETAILS
CASEY'S CONSTRUCTION DIVISION One Convenience Blvd., P.O. Box 3001, Ankeny, IA 50021 515-965-6100		
#5156 Franklin, OH #2 1294 EAST SECOND STREET FRANKLIN, OH 43005 2025 "14" - 87 LITE STORE (PLAT BOOK) VERSION 1	08/22/25	AL-601



3 Side Elevation  
3/4" = 1'-0"

2 Section View  
3/4" = 1'-0"

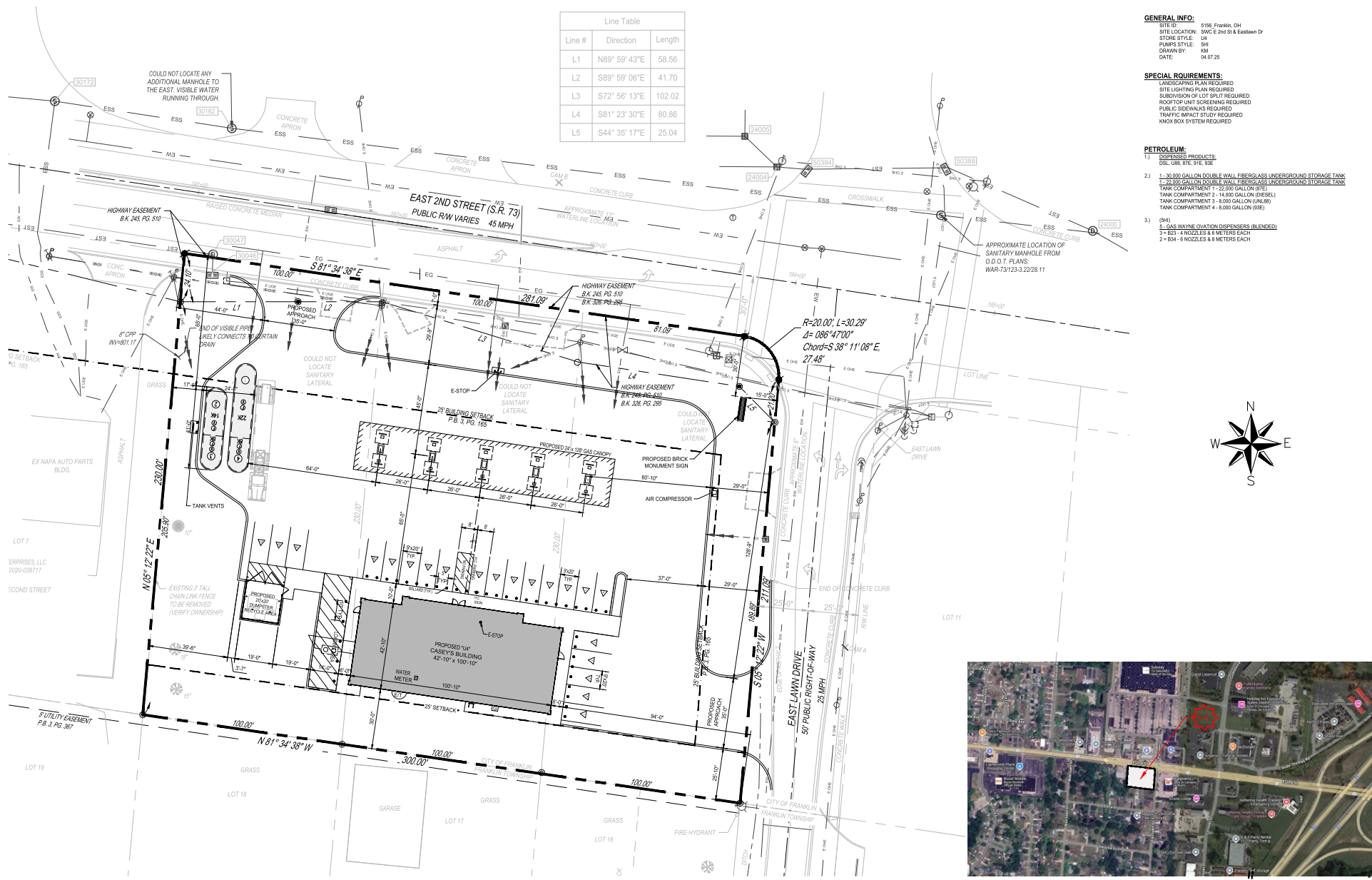
1 Front Elevation  
3/4" = 1'-0"

Line Table		
Line #	Direction	Length
L1	N89° 59' 43"E	58.56
L2	S89° 59' 06"E	41.70
L3	S72° 56' 13"E	102.02
L4	S81° 23' 30"E	80.86
L5	S44° 35' 17"E	25.04

**GENERAL INFO:**  
 SITE ID: 5156, Franklin, OH  
 SITE LOCATION: SWC E 2nd St & Eastman Dr  
 STORE STYLE: U4  
 PUMPS STYLE: 9H  
 DRAWN BY: RM  
 DATE: 04/07/25

**SPECIAL REQUIREMENTS:**  
 CONCRETE PLAN REQUIRED  
 SITE LIGHTING PLAN REQUIRED  
 SUBDIVISION OR LOT SPLIT REQUIRED  
 ROOFTOP UNIT SCREENING REQUIRED  
 PUBLIC SIDEWALKS REQUIRED  
 TRAFFIC IMPACT STUDY REQUIRED  
 KNOX BOX SYSTEM REQUIRED

**PETROLEUM:**  
 1) (S) (S) (S) (S) (S) (S)  
 2) 1 - 30,000 GALLON DOUBLE WALL FIBERGLASS UNDERGROUND STORAGE TANK  
 1 - 22,000 GALLON DOUBLE WALL FIBERGLASS UNDERGROUND STORAGE TANK  
 TANK COMPARTMENT 1 - 22,000 GALLON (B7E)  
 TANK COMPARTMENT 2 - 14,000 GALLON (DIESEL)  
 TANK COMPARTMENT 3 - 8,000 GALLON (LUN88)  
 TANK COMPARTMENT 4 - 8,000 GALLON (DIE)  
 3) (S) (S) (S) (S) (S) (S)  
 1 - GAS WAJNE OVATION DISPENSERS (BLENDED)  
 3 - B34 - 4 NOZZLES & 8 METERS EACH  
 2 - B34 - 6 NOZZLES & 8 METERS EACH



**A1** Site Plan Concept  
 1" = 20'

**A2** Vicinity Map  
 Not To Scale

