



DOCK PERMIT APPLICATION

FRANKLIN COUNTY BUILDING DEPARTMENT

34 Forbes Street, Suite 1, Apalachicola, Florida 32320
Phone: 850-653-9783 Fax: 850-653-9799
http://www.franklincountvflorida.com/planning_building.aspx

PERMIT # _____

FEE: \$ _____

C.S.I : \$ _____

TOTAL: \$ _____

NOTE TO APPLICANTS AND PERMIT HOLDERS:

VIOLATIONS OF THE TERMS AND CONDITIONS OF THIS PERMIT MAY WARRANT A STOP WORK ORDER OR REVOCATION OF THIS PERMIT. THIS PERMIT IS VALID FOR ONE YEAR FROM THE DATE OF ISSUANCE. CONSTRUCTION MUST COMMENCE WITHIN SIX MONTHS OF THIS DATE:
ISSUANCE DATE: _____ EXPIRES: _____

EXISTING HOUSE: Yes No

DEP PERMIT: Yes No

ARMY COE PERMIT: Yes No

APPROVED: Yes No

APPLICATION MUST BE COMPLETE:

Property Owner/s: TCB VENTURES, FL LLC (Travis Fink)
Contact Information: Home #: _____ Cell #: _____
Mailing Address: 14945 Fisher Rd City/State/Zip: Fayetteville, AR 72701
EMAIL Address: _____ @ _____

Contractor Name: Reid Hicks Business Name: Better Built Docks
Contact Information: Office #: 850.519.7396 Cell #: 850.899.5313
State License #: _____ County Registration #: 1429
Mailing Address: 1208 NW 3rd ST City/State/Zip: Carrabelle, FL
EMAIL Address: betterbuiltdocks @ aol.com

PROPERTY DESCRIPTION: 911 Address: 71 FIESTA DR
Lot/s: 80 Block: _____ Subdivision: HOLIDAY BEACH Unit: 1
Parcel Identification #: 01.075.02W.1031.0000.0800

JURISDICTION: Franklin County City of Carrabelle
 Apalachicola Eastpoint St. George Island Carrabelle Dog Island Lanark/ St. James St. Teresa Alligator Point
 SINGLE FAMILY DOCK/PIER MULTI-FAMILY DOCK/PIER COMMERCIAL

DESCRIPTION: CONSTRUCT ROOF OVER EXISTING BOATLIFT. REDESIGN EXISTING TERMINUS

ZONING DISTRICT: _____ CONTRACT COST: \$ 7,500.00

TOTAL SQUARE FOOT: _____ FOUNDATION TYPE: _____

ROOF MATERIAL: _____

APPROVED BY: Planning & Zoning Date: _____ County Commissioners Date: _____

WATER BODY: _____

CRITICAL SHORELINE DISTRICT YES OR NO CRITICAL HABITAT ZONE YES OR NO

BUILDING OFFICIAL _____ Date _____

OWNER (Required) _____ Date _____

Reid Hicks
CONTRACTOR (Required) _____ Date _____

RECEIVED
FEB 08 2020

BY:

NOTICE OF COMMENCEMENT

Inst: 202119000664 Date: 02/08/2021 Time: 11:15AM
Page 1 of 1 B: 1289 P: 200. Michele Maxwell,
Clerk of Court Franklin County, By: SM
Deputy Clerk

Space Reserved For Recording:

PERMIT # _____ PARCEL ID # 01-075-02W-1031-0000-0800

STATE OF FLORIDA, COUNTY OF FRANKLIN

The **UNDERSIGNED** hereby gives notice that improvements will be made to certain real property, an in accordance with Chapter 713, Florida Statutes, the following information is provided in the Notice of Commencement.

LEGAL DESCRIPTION OF PROPERTY: (Include Street Address)

71 FIESTA DR ALLIGATOR POINT, FL.
UNIT 1 LOT 80 Holiday Beach

General Description of Improvements: _____

Owner Information or Lessee Information Contracted For The Improvements:

Name: TCB VENTURES, LLC Phone Number: _____
Address: 14945 FISHER RD FAYETTEVILLE, AR 72701

Owner's Interest In Site Of The Improvement: _____

Name & Address Of Fee Simple Titleholder: _____
(If Different From Owner Listed Above):

BETTER BUILT DOCKS

Contractor's Name: REID HICKS Phone Number: 850-899-5313
Address: 1208 NW 3RD ST CARRABELLE, FL 32322

Surety: (If Applicable, A Copy Of The Payment Bond Is Attached): _____

Name & Address: _____ Amount: \$ _____

Lender Name: _____ Phone Number: _____
Address: _____

PERSONS WITH IN THE STATE OF FLORIDA DESIGNATED BY THE OWNER UPON WHOM NOTICES OR OTHER DOCUMENTS MAY BE SERVED AS PROVIDED FOR BY FLORIDA STATUTE 713.13(1) (A) 7.

NAME: _____
ADDRESS: _____

IN ADDITION TO HIMSELF OR HERSELF, OWNER DESIGNATES THE FOLLOWING PERSON(S) TO RECEIVE A COPY OF THE LEINOR'S NOTICE AS PROVIDED IN SECTION 713.13 (1)(B) FLORIDA STATUTES:

EXPIRATION DATE OF NOTICE OF COMMENCEMENT (THE EXPIRATION DATE IS ONE (1) YEAR FROM THE DAT OF RECORDING UNLESS A DIFFERENT DATE IS SPECIFIED.) _____

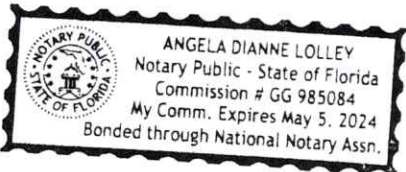
WARNING TO OWNER: ANY PAYMENTS MADE BY THE OWNER AFTER THE EXPIRATION OF THE NOTICE OF COMMENCEMENT ARE CONSIDERED IMPROPER PAYMENTS UNDER CHAPTER 713, PART I, SECTION 713.13, FLORIDA STATUTES, AND CAN RESULT IN YOUR PAYING TWICE FOR IMPROVEMENTS TO YOUR PROPERTY. A NOTICE OF COMMENCEMENT MUST BE RECORDED AND POSTED ON THE JOBSITE BEFORE THE FIRST INSPECTION. IF YOU INTEND TO OBTAIN FINANCING, CONSULT WITH YOUR LENDER OR AN ATTORNEY BEFORE COMMENCING WORK OR RECORDING YOUR NOTICE OF COMMENCEMENT.

NOTARY SEAL:

Owner/Agent Signature: Michelle Hill
Printed Name: MICHELLE HICKS

Sworn to me this 8 day of Feb In the year of 20 21

Notary Signature: Angela D. Lolley
Printed Name: Angela D. Lolley





Parcel ID 01-07S-02W-1031-0000-0800
 Location Address 71 FIESTA DR
 32346
 Brief Tax Description* **UNIT 1 LOT 80 HOLIDAY BCH** OR 273/225 615/216 644/463 644/463 760/312 765/253 799/363 1168/126 1168/128 1216/518
 *The Description above is not to be used on legal documents.
 Property Use Code VACANT (000000)
 Sec/Twp/Rng 1-7S-2W
 Tax District Alligator Point (District 7)
 Millage Rate 13.022
 Acreage 0.268
 Homestead N

[View Map](#)

Primary Owner
 Tcb Ventures,FL,LLC
 14945 Fisher Road
 Fayetteville, AR 72701

Land Information

Code	Land Use	Number of Units	Unit Type	Frontage	Depth
000121	BAY FRONT	11,700.00	SF	90	130

Extra Features

Code	Description	Number of Items	Length x Width x Height	Units	Unit Type	Effective Year Built
	BOAT LIFT	1	0x0x0	1	UT	2003
	TERMINUS	1	0x0x0	200	SF	2003
	DOCK W/ROPE RAILS	1	0x0x0	616	SF	2000
	WD WALK	1	0x0x0	36	SF	2000

Sales

Multi Parcel	Sale Date	Sale Price	Instrument	Book	Page	Qualification	Vacant/Improved	Grantor	Grantee
N	04/06/2018	\$165,000	WD	1216	518	Qualified (Q)	Improved	BROOKS	TCB VENTURES,FL LLC
N	04/28/2016	\$100	QC	1168	128	Unqualified (U)	Vacant	BROOKS/DELEON	BROOKS
N	04/28/2016	\$100	PR	1168	126	Unqualified (U)	Vacant	BROOKS	BROOKS/DELEON
N	07/07/2004	\$525,000	WD	799	363	Qualified (Q)	Vacant	WILEY	BROOKS
N	11/24/2003	\$100	WD	765	253	Unqualified (U)	Vacant	PRINCETON	WILEY
N	10/16/2003	\$100	WD	760	312	Unqualified (U)	Vacant	EDWARDS	PRINCETON
N	07/27/2000	\$100,000	WD	644	463	Unqualified (U)	Vacant	RASMUSSEN	EDWARDS
N	04/08/1999	\$62,500	WD	615	216	Unqualified (U)	Vacant	MOONEY PAUL F & PALMLEAF	RASMUSSEN JAY & LORRIE
N	05/04/1988	\$19,550	WD	273	225	Qualified (Q)	Vacant	SABOURIN	MOONEY

Valuation

	2020 Certified	2019 Certified	2018 Certified	2017 Certified	2016 Certified
Building Value	\$0	\$0	\$0	\$0	\$0
Extra Features Value	\$22,218	\$22,218	\$7,047	\$7,047	\$7,047
Land Value	\$93,600	\$117,000	\$76,800	\$76,800	\$67,200
Land Agricultural Value	\$0	\$0	\$0	\$0	\$0
Agricultural (Market) Value	\$0	\$0	\$0	\$0	\$0
Just (Market) Value	\$115,818	\$139,218	\$83,847	\$83,847	\$74,247
Assessed Value	\$115,818	\$139,218	\$82,851	\$75,319	\$68,472
Exempt Value	\$0	\$0	\$0	\$0	\$0
Taxable Value	\$115,818	\$139,218	\$82,851	\$75,319	\$68,472
Maximum Save Our Homes Portability	\$0	\$0	\$996	\$8,528	\$5,775

"Just (Market) Value" description - This is the value established by the Property Appraiser for ad valorem purposes. This value does not represent anticipated selling price.

TRIM Notice 2020

[2020 TRIM Notice \(PDF\)](#)

TRIM Notice 2019

[2019 TRIM Notice \(PDF\)](#)



DEPARTMENT OF THE ARMY
CORPS OF ENGINEERS JACKSONVILLE DISTRICT,
415 RICHARD JACKSON BOULEVARD, SUITE 411
PANAMA CITY BEACH, FLORIDA 32407

August 19, 2020

Regulatory Division
North Permit Branch
Panama City Permits Section
SAJ-2020-02955(GP-LSL)

Mr. Travis Fink
1431 Alligator Drive
Alligator Point, Florida 32346

Dear Mr. Fink:

The U.S. Army Corps of Engineers (Corps) assigned your application for a Department of the Army permit, which the Corps received on July 23, 2020, the file number SAJ-2020-02955. A review of the information and drawings provided indicates that the proposed work will result in the after-the-fact authorization for a 676 square foot single family dock. The dock structure includes a 4' by 129' access walk, 8' by 20' terminal platform, and 12' by 27' covered boat lift. The activities subject to this permit are authorized pursuant to authorities under Section 10 of the Rivers and Harbors Act of 1899 (33 U.S.C. § 403). The project is located at 71 Fiesta Drive, Alligator Point, Franklin County, Florida.

Your project, as depicted on the enclosed drawings, is authorized by Regional General Permit (GP) SAJ-20. This authorization is valid until **March 27, 2023**. Please access the Corps' Jacksonville District Regulatory Division Internet page to view the special and general conditions for SAJ-20, which apply specifically to this authorization. The Internet URL address is:

<http://www.saj.usace.army.mil/Missions/Regulatory.aspx>

Please be aware this Internet address is case sensitive; and, you will need to enter it exactly as it appears above. Once there you will need to click on "Source Book"; and, then click on "General Permits." Then you will need to click on the specific SAJ permit noted above. You must comply with all of the special and general conditions of the permit; and, any project-specific conditions noted below, or you may be subject to enforcement action. The following project-specific conditions are included with this authorization:

1. Reporting Address: The Permittee shall submit all reports, notifications, documentation and correspondence required by the general and special conditions of this permit to either (not both) of the following addresses:

4. Assurance of Navigation and Maintenance: The Permittee understands and agrees that, if future operations by the United States require the removal, relocation, or other alteration, of the structures or work herein authorized, or if in the opinion of the Secretary of the Army or his authorized representative, said structure or work shall cause unreasonable obstruction to the free navigation of the navigable waters, the Permittee will be required, upon due notice from the Corps of Engineers, to remove, relocate, or alter the structural work or obstructions caused thereby, without expense to the United States. No claim shall be made against the United States on account of any such removal or alteration.

5. Cultural Resources/Historic Properties:

a. No structure or work shall adversely affect impact or disturb properties listed in the *National Register of Historic Places* (NRHP) or those eligible for inclusion in the NRHP.

b. If during the ground disturbing activities and construction work within the permit area, there are archaeological/cultural materials encountered which were not the subject of a previous cultural resources assessment survey (and which shall include, but not be limited to: pottery, modified shell, flora, fauna, human remains, ceramics, stone tools or metal implements, dugout canoes, evidence of structures or any other physical remains that could be associated with Native American cultures or early colonial or American settlement), the Permittee shall immediately stop all work and ground-disturbing activities within a 100-meter diameter of the discovery and notify the Corps within the same business day (8 hours). The Corps shall then notify the Florida State Historic Preservation Officer (SHPO) and the appropriate Tribal Historic Preservation Officer(s) (THPO(s)) to assess the significance of the discovery and devise appropriate actions.

c. Additional cultural resources assessments may be required of the permit area in the case of unanticipated discoveries as referenced in accordance with the above Special Condition ; and if deemed necessary by the SHPO, THPO(s), or Corps, in accordance with 36 CFR 800 or 33 CFR 325, Appendix C (5). Based, on the circumstances of the discovery, equity to all parties, and considerations of the public interest, the Corps may modify, suspend or revoke the permit in accordance with 33 CFR Part 325.7. Such activity shall not resume on non-federal lands without written authorization from the SHPO for finds under his or her jurisdiction, and from the Corps.

d. In the unlikely event that unmarked human remains are identified on non-federal lands, they will be treated in accordance with Section 872.05 Florida Statutes. All work and ground disturbing activities within a 100-meter diameter of the unmarked human remains shall immediately cease and the Permittee shall immediately notify the medical

GENERAL CONDITIONS
33 CFR PART 320-330

1. The time limit for completing the work authorized ends on the **dates identified in the letter.**
2. You must maintain the activity authorized by this permit in good condition and in conformance with the terms and conditions of this permit. You are not relieved of this requirement if you abandon the permitted activity, although you may make a good faith transfer to a third party in compliance with General Condition 4 below. Should you wish to cease to maintain the authorized activity or should you desire to abandon it without a good faith transfer, you must obtain a modification of this permit from this office, which may require restoration of the area.
3. If you discover any previously unknown historic or archeological remains while accomplishing the activity authorized by this permit, you must immediately notify this office of what you have found. We will initiate the Federal and state coordination required to determine if the remains warrant a recovery effort or if the site is eligible for listing in the National Register of Historic Places.
4. If you sell the property associated with this permit you must obtain the signature of the new owner in the space provided and forward a copy of the permit to this office to validate the transfer of this authorization.
5. If a conditioned water quality certification has been issued for your project, you must comply with the conditions specified in the certification as special conditions to this permit. For your convenience, a copy of the certification is attached if it contains such conditions.
6. You must allow a representative from this office to inspect the authorized activity at any time deemed necessary to ensure that it is being or has been accomplished in accordance with the terms and conditions of your permit.



PREPARED BY: GARLICK ENVIRONMENTAL ASSOCIATES, INC.

P. O. BOX 385, APALACHICOLA FLORIDA 32329-0385 (850) 653-8899 FAX (850) 653-9656 garlick@garlickenv.com

LB No. 7415

APPLICANT/CLIENT: Travis Fink

WATERBODY/CLASS: Alligator Harbor / ClassII / OFW / AP

PURPOSE: DFA - EP Boat Roof

PROJECT LOCATION / USGS: Franklin County / Alligator Point

LATITUDE: 29.900258

LONGITUDE: 84.386275

SECTION: 1 TWNHP: 7 South RNG: 2 West

JOB: 20-071

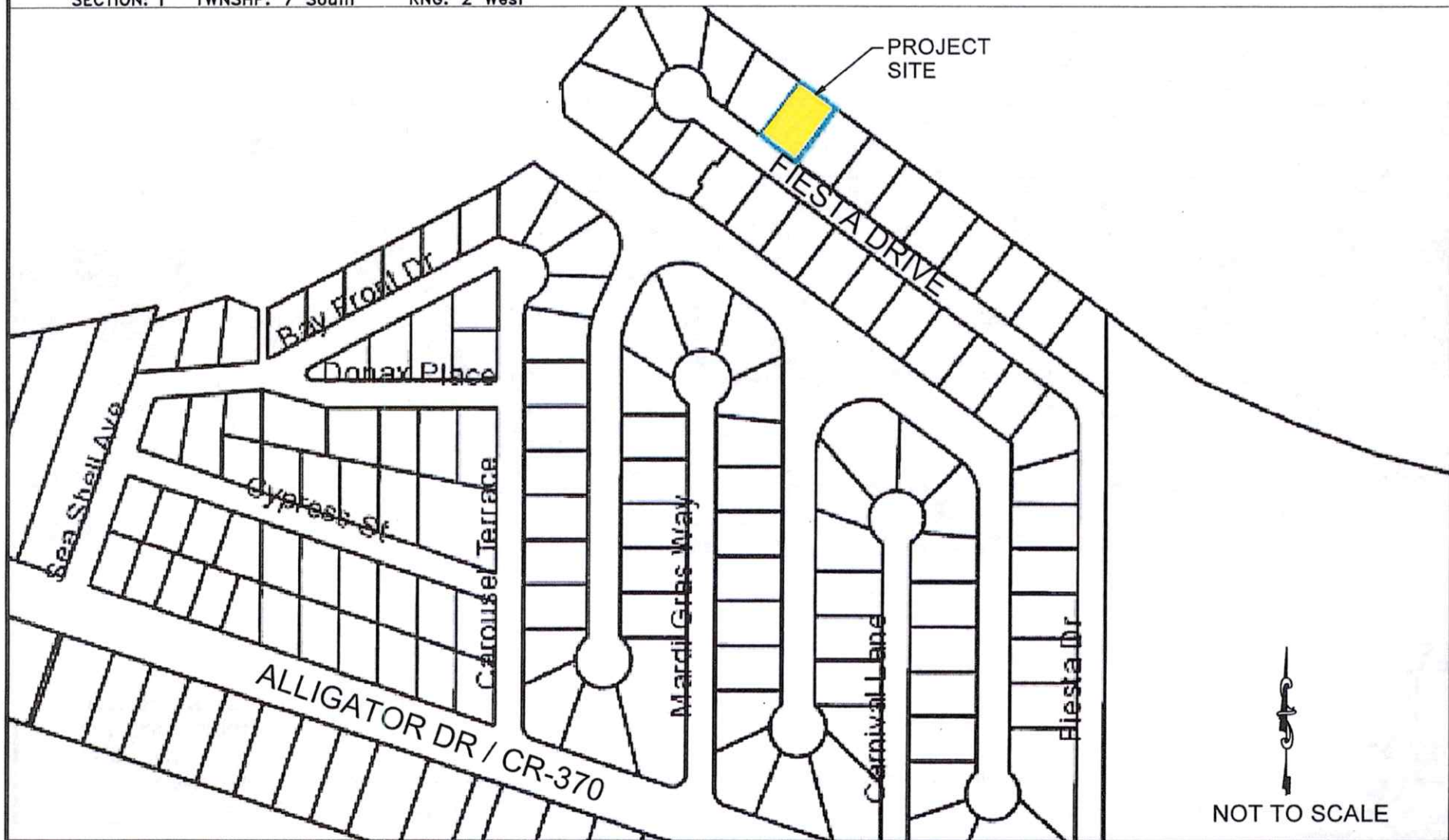
DEP:

COE:

OTHER:

DATE: July 22, 2020

SHEET: 1/4



PREPARED BY: GARLICK ENVIRONMENTAL ASSOCIATES, INC.

P. O. BOX 385, APALACHICOLA FLORIDA 32329-0385

(850) 653-8899

FAX (850) 653-9656

garlick@garlickenv.com

LB No. 7415

APPLICANT/CLIENT: Travis Fink

WATERBODY/CLASS: Alligator Harbor / ClassII / OFW / AP

PURPOSE: DFA - EP Boat Roof

PROJECT LOCATION / USGS: Franklin County / Alligator Point

LATITUDE: 29.900258

LONGITUDE: 84.386275

SECTION: 1 TWSHP: 7 South RNG: 2 West

JOB: 20-071

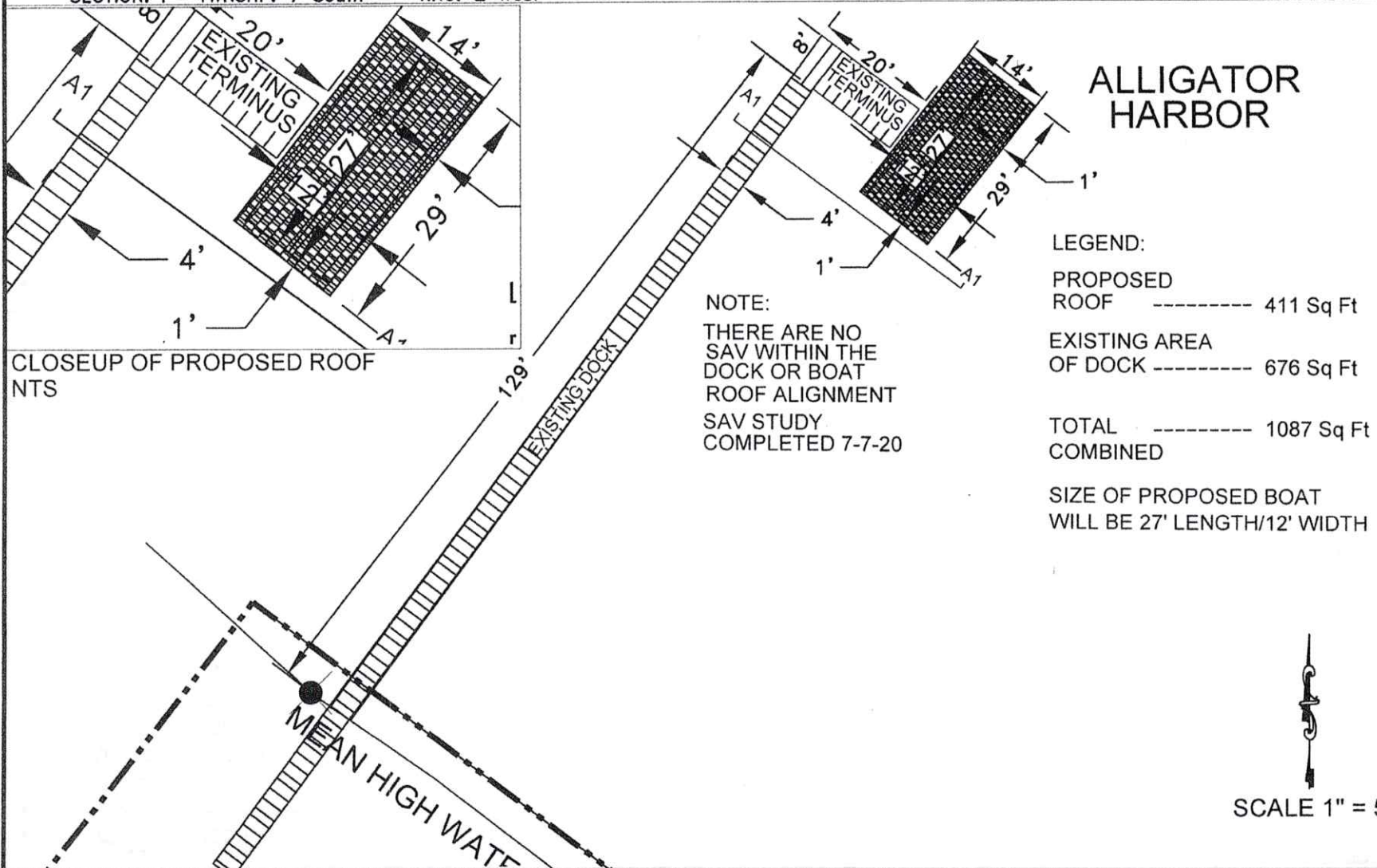
DEP:

COE:

OTHER:

DATE: July 22, 2020

SHEET: 3/4





PREPARED BY: GARLICK ENVIRONMENTAL ASSOCIATES, INC.

P. O. BOX 385, APALACHICOLA FLORIDA 32329-0385 (850) 653-8899 FAX (850) 653-9656 garlick@garlickenv.com

LB No. 7415

APPLICANT/CLIENT: Travis Fink

WATERBODY/CLASS: Alligator Harbor / ClassII / OFW / AP

PURPOSE: DFA - EP Boat Roof

PROJECT LOCATION / USGS: Franklin County / Alligator Point

LATITUDE: 29.900258

LONGITUDE: 84.386275

JOB: 20-071

DEP:

COE:

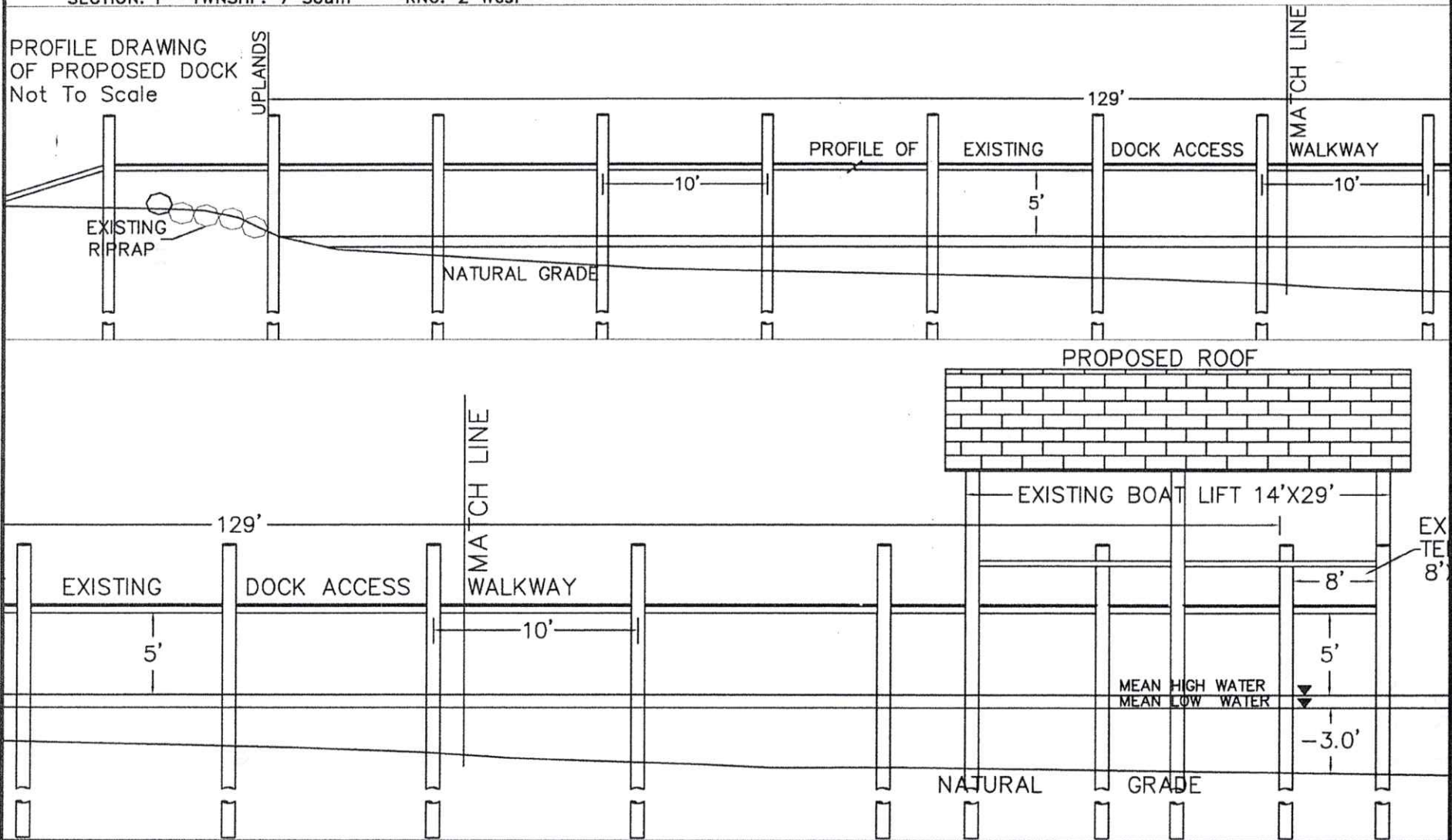
OTHER:

DATE: July 22, 2020

SHEET: 4A/4

SECTION: 1 TWSHP: 7 South RNG: 2 West

PROFILE DRAWING
OF PROPOSED DOCK
Not To Scale





FLORIDA DEPARTMENT OF Environmental Protection

Northwest District
160 W. Government Street, Suite 308
Pensacola, FL 32502

Ron DeSantis
Governor

Jeanette Nuñez
Lt. Governor

Noah Valenstein
Secretary

Tuesday, July 21, 2020

TCB Ventures FL, LLC.
c/o Travis Fink
1431 Alligator Dr.
Alligator Point, Florida 32346
travis@nationalcrimesearch.com

File No.: 0390091-001-EG/19, Franklin County

Dear Mr. Fink:

On July 14, 2020, we received your notice of intent to use a General Permit (GP) pursuant to Rule 62-330.427, Florida Administrative Code (F.A.C.) to construct a roof over an existing boatlift and redesign an existing terminal platform within Alligator Harbor Aquatic Preserve, Class II Outstanding Florida Waters, Prohibited Shellfish Harvesting Area. The project is located at 71 Fiesta Dr., Alligator Point, Florida 32346, Parcel No. 01-07S-02W-1031-0000-0800, in Section 01, Township 07 South, Range 02 West of Franklin County; at approximately 29°54'01" North Latitude, 84°23'10" West Longitude.

Your intent to use a general permit has been reviewed by Department staff for three types of authorization: (1) regulatory authorization, (2) proprietary authorization (related to state-owned submerged lands), and (3) federal authorization. The authority for review and the outcomes of the reviews are listed below. Please read each section carefully.

Your project did not qualify for the federal authorization, therefore additional authorization must be obtained prior to commencement of the proposed activity. This letter does not relieve you from the responsibility of obtaining other federal, state, or local authorizations that may be required for the activity. Please refer to the specific section(s) dealing with that portion of the review below for advice on how to proceed.

If you change the project from what you submitted, the authorization(s) granted may no longer be valid at the time of commencement of the project. Please contact us prior to beginning your project if you wish to make any changes.

1. Regulatory Review – Approved

Based on the forms, drawings, and documents submitted with your notice, it appears that the project meets the requirements for the General Permit under Rule 62-330.427, F.A.C. Any activities performed under a general permit are subject to general conditions required in Rule 62-330.405, F.A.C. (attached) and the specific conditions of Rule 62-330.427, F.A.C. (attached). Any deviations from these conditions may subject the permittee to enforcement action and possible penalties.

permitting may be found online in the Jacksonville District Regulatory Division Source Book at: <https://www.saj.usace.army.mil/Missions/Regulatory/Source-Book>.

Authority for review - an agreement with the USACOE entitled "Coordination Agreement Between the U.S. Army Corps of Engineers (Jacksonville District) and the Florida Department of Environmental Protection (or Duly Authorized Designee), State Programmatic General Permit", Section 10 of the Rivers and Harbor Act of 1899, and Section 404 of the Clean Water Act.

Additional Information

Please retain this general permit. The activities may be inspected by authorized state personnel in the future to ensure compliance with appropriate statutes and administrative codes. If the activities are not in compliance, you may be subject to penalties under Chapter 373, F.S. and Chapter 18-14, F.A.C.

NOTICE OF RIGHTS

This action is final and effective on the date filed with the Clerk of the Department unless a petition for an administrative hearing is timely filed under Sections 120.569 and 120.57, F.S., before the deadline for filing a petition. On the filing of a timely and sufficient petition, this action will not be final and effective until a subsequent order of the Department. Because the administrative hearing process is designed to formulate final agency action, the subsequent order may modify or take a different position than this action.

Petition for Administrative Hearing

A person whose substantial interests are affected by the Department's action may petition for an administrative proceeding (hearing) under Sections 120.569 and 120.57, F.S. Pursuant to Rules 28-106.201 and 28-106.301, F.A.C., a petition for an administrative hearing must contain the following information:

- (a) The name and address of each agency affected and each agency's file or identification number, if known;
- (b) The name, address, and telephone number of the petitioner; the name, address, and telephone number of the petitioner's representative, if any, which shall be the address for service purposes during the course of the proceeding; and an explanation of how the petitioner's substantial interests are or will be affected by the agency determination;
- (c) A statement of when and how the petitioner received notice of the agency decision;
- (d) A statement of all disputed issues of material fact. If there are none, the petition must so indicate;
- (e) A concise statement of the ultimate facts alleged, including the specific facts that the petitioner contends warrant reversal or modification of the agency's proposed action;
- (f) A statement of the specific rules or statutes that the petitioner contends require reversal or modification of the agency's proposed action, including an explanation of how the alleged facts relate to the specific rules or statutes; and
- (g) A statement of the relief sought by the petitioner, stating precisely the action that the petitioner wishes the agency to take with respect to the agency's proposed action.

Judicial Review

Once this decision becomes final, any party to this action has the right to seek judicial review pursuant to Section 120.68, F.S. by filing a Notice of Appeal pursuant to Florida Rules of Appellate Procedure 9.110 and 9.190 with the Clerk of the Department in the Office of General Counsel (Station #35, 3900 Commonwealth Boulevard, Tallahassee, Florida 32399-3000) and by filing a copy of the Notice of Appeal accompanied by the applicable filing fees with the appropriate district court of appeal. The notice must be filed within 30 days from the date this action is filed with the Clerk of the Department.

62-330.427 General Permit for Docks, Piers and Associated Structures.

(1) A general permit is granted to any person to construct, extend, or remove a dock or pier and associated structures as described below:

(a) A private, single-family pier or dock with up to two boat lifts that, together with all existing structures on the shoreline of the property, does not exceed a total area of 2,000 square feet over surface waters. Such a structure:

1. Shall not accommodate the mooring of more than two vessels, either in the water or on a boat lift. Solely for purposes of this general permit, up to two personal watercraft as defined in section 327.02(33), F.S., may be moored in lieu of either or both allowable vessels of another type.

These limits shall not apply to the mooring, storage or other use of the dock or pier by:

a. Non-motor-powered vessels less than 16 feet in length that are stored on or under the dock or pier, or within an authorized mooring area; or

b. Personal watercraft, dinghies or similar small vessels that are stowed out of the water, upon a larger parent vessel that is moored at the dock in compliance with this general permit.

2. Shall be located such that all areas used for vessel mooring and navigational access already provide a minimum depth of two feet below the mean low water level for tidal waters, or two feet below the expected average low water depth for non-tidal waters as determined based on best available information for the water body at the project location; and

3. May include a roof over the vessel mooring areas, boat lifts, and terminal platform, or any portions thereof, subject to the applicable provisions of chapters 253 and 258, F.S., and the rules adopted thereunder. Portions of such roofs that overhang beyond the edge of decked portions of the pier or dock shall be included in the calculation of the total square footage of over-water structure allowed under paragraph (1)(a), above.

(b) A public fishing pier that does not exceed a total area of 2,000 square feet provided the structure is designed and built to discourage boat mooring by elevating the fishing pier to a minimum height of five feet above mean high water or ordinary high water, surrounding the pier with handrails, and installing and maintaining signs that state "No Boat Mooring Allowed."

(2) This general permit shall be subject to the following specific conditions:

(a) Construction or extension of the boat lift, boat mooring locations, or terminal platform, shall not occur over submerged grassbeds, coral communities or wetlands. However, the access walkway portion of the pier may traverse these resources provided it is elevated a minimum of five feet above mean high water or ordinary high water, contains handrails that are maintained in such a manner as to prevent use of the access walkways for boat mooring or access, and does not exceed a width of six feet, or a width of four feet in Aquatic Preserves;

(b) There shall be no structures enclosed by walls, screens, or doors on any side;

(c) The dock or pier will not facilitate vessel rentals, charters, or serve any other commercial purpose;

(d) There shall be no fish cleaning facilities, boat repair facilities or equipment, or fueling facilities on the structures authorized by this general permit. In addition, no overboard discharges of trash, human or animal waste, or fuel shall occur from any structures authorized by this general permit;

(e) This general permit shall not authorize the construction or extension of more than one dock or pier per parcel of land or individual lot. For the purposes of this general permit, multi-family living complexes shall be treated as one parcel of property regardless of the legal division of ownership or control of the associated property; and

62-330.405 General Conditions for All General Permits.

The following general permit conditions are binding upon the permittee and are enforceable under chapter 373, F.S. These conditions do not apply to the general permit for stormwater management systems under section 403.814(12), F.S.

- (1) The general permit is valid only for the specific activity indicated. Any deviation from the specified activity and the conditions for undertaking that activity shall constitute a violation of the permit and may subject the permittee to enforcement action and revocation of the permit under chapter 373, F.S.
- (2) The general permit does not eliminate the necessity to obtain any required federal, state, local and special district authorizations prior to the start of any construction, alteration, operation, maintenance, removal or abandonment authorized by this permit; and it does not authorize any violation of any other applicable federal, state, local, or special district laws (including, but not limited to, those governing the “take” of listed species).
- (3) The general permit does not convey to the permittee or create in the permittee any property right, or any interest in real property, nor does it authorize any entrance upon or activities on property which is not owned or controlled by the permittee, or convey any rights or privileges other than those specified in the general permit.
- (4) The general permit does not relieve the permittee from liability and penalties when the permitted activity causes harm or injury to: human health or welfare; animal, plant or aquatic life; or property. It does not allow the permittee to cause pollution that violates state water quality standards.
- (5) Section 253.77, F.S., provides that a person may not commence any excavation, construction, or other activity involving the use of state-owned or other lands of the state, the title to which is vested in the Board of Trustees of the Internal Improvement Trust Fund without obtaining the required consent, lease, easement, or other form of authorization authorizing the proposed use. Therefore, the permittee is responsible for obtaining any necessary authorizations from the Board of Trustees prior to commencing activity on state-owned lands.
- (6) The authorization to conduct activities under a general permit may be modified, suspended or revoked in accordance with chapter 120, F.S., and section 373.429, F.S.
- (7) The general permit is not transferable to a new third party. To be used by a different permittee, a new notice to use a general permit must be submitted in accordance with rule 62-330.402, F.A.C. Activities constructed in accordance with the terms and conditions of a general permit are automatically authorized to be operated and maintained by the permittee and subsequent owners in accordance with subsection 62-330.340(1), F.A.C. Any person holding the general permit, persons working under the general permit, and owners of land while work is conducted under the general permit shall remain liable for any corrective actions that may be required as a result of any permit violations prior to sale, conveyance, or other transfer of ownership or control of the permitted project, activity, or the real property at which the permitted project or activity is located.
- (8) Upon reasonable notice to the permittee, Agency staff with proper identification shall have permission to enter, inspect, sample and test the permitted system to ensure conformity with the plans and specifications approved by the general permit.
- (9) The permittee shall maintain any permitted project or activity in accordance with the plans submitted to the Agency and authorized in the general permit.
- (10) A permittee’s right to conduct a specific activity under the general permit is authorized for a duration of five years.

shall contact the Florida Department of State, Division of Historical Resources, Compliance Review Section (DHR), at (850)245-6333, as well as the appropriate permitting agency office. Project activities shall not resume without verbal or written authorization from the Division of Historical Resources. If unmarked human remains are encountered, all work shall stop immediately and the proper authorities notified in accordance with section 872.05, F.S.

(17) The activity must be capable, based on generally accepted engineering and scientific principles, of being performed and of functioning as proposed, and must comply with any applicable District special basin and geographic area criteria.

(18) The permittee shall comply with the following when performing work within waters accessible to federally- or state-listed aquatic species, such as manatees, marine turtles, smalltooth sawfish, and Gulf sturgeon:

(a) All vessels associated with the project shall operate at “Idle Speed/No Wake” at all times while in the work area and where the draft of the vessels provides less than a four-foot clearance from the bottom. All vessels will follow routes of deep water whenever possible.

(b) All deployed siltation or turbidity barriers shall be properly secured, monitored, and maintained to prevent entanglement or entrapment of listed species.

(c) All in-water activities, including vessel operation, must be shut down if a listed species comes within 50 feet of the work area. Activities shall not resume until the animal(s) has moved beyond a 50-foot radius of the in-water work, or until 30 minutes elapses since the last sighting within 50 feet. Animals must not be herded away or harassed into leaving. All onsite project personnel are responsible for observing water-related activities for the presence of listed species.

(d) Any listed species that is killed or injured by work associated with activities performed shall be reported immediately to the Florida Fish and Wildlife Conservation Commission (FWC) Hotline at 1(888)404-3922 and ImperiledSpecies@myFWC.com.

(e) Whenever there is a spill or frac-out of drilling fluid into waters accessible to the above species during a directional drilling operation, the FWC shall be notified at ImperiledSpecies@myfwc.com with details of the event within 24 hours following detection of the spill or frac-out.

(19) The permittee shall hold and save the Agency harmless from any and all damages, claims, or liabilities which may arise by reason of the construction, alteration, operation, maintenance, removal, abandonment or use of any activity authorized by the general permit.

(20) The permittee shall immediately notify the Agency in writing of any submitted information that is discovered to be inaccurate.

Rulemaking Authority 373.026(7), 373.043, 373.118(1), 373.406(5), 373.4131, 373.414(9), 373.4145, 373.418, 403.805(1) FS. Law Implemented 373.044, 373.118(1), 373.129, 373.136, 373.406(5), 373.413, 373.4131, 373.414(9), 373.4145, 373.416, 373.422, 373.423, 373.429, 403.814(1) FS. History—New 10-3-95, Amended 10-1-07, Formerly 62-341.215, Amended 10-1-13, 6-1-18.

General Conditions for Authorizations for Activities on State-Owned Submerged Lands:

All authorizations granted by rule or in writing under rule 18-21.005, F.A.C., except those for geophysical testing, shall be subject to the general conditions as set forth in paragraphs (a) through (j) below. The general conditions shall be part of all authorizations under this chapter, shall be binding upon the grantee, and shall be enforceable under chapter 253 or 258, part II, F.S.

- (a) Authorizations are valid only for the specified activity or use. Any unauthorized deviation from the specified activity or use and the conditions for undertaking that activity or use shall constitute a violation. Violation of the authorization shall result in suspension or revocation of the grantee's use of the sovereignty submerged land unless cured to the satisfaction of the Board.
- (b) Authorizations convey no title to sovereignty submerged land or water column, nor do they constitute recognition or acknowledgment of any other person's title to such land or water.
- (c) Authorizations may be modified, suspended or revoked in accordance with their terms or the remedies provided in sections 253.04 and 258.46, F.S., or chapter 18-14, F.A.C.
- (d) Structures or activities shall be constructed and used to avoid or minimize adverse impacts to sovereignty submerged lands and resources.
- (e) Construction, use, or operation of the structure or activity shall not adversely affect any species which is endangered, threatened or of special concern, as listed in rules 68A-27.003, 68A-27.004 and 68A-27.005, F.A.C.
- (f) Structures or activities shall not unreasonably interfere with riparian rights. When a court of competent jurisdiction determines that riparian rights have been unlawfully affected, the structure or activity shall be modified in accordance with the court's decision.
- (g) Structures or activities shall not create a navigational hazard.
- (h) Activities shall not interfere with the public easement for traditional uses of the sandy beaches provided in section 161.141, F.S.
- (i) Structures shall be maintained in a functional condition and shall be repaired or removed if they become dilapidated to such an extent that they are no longer functional. This shall not be construed to prohibit the repair or replacement subject to the provisions of rule 18-21.005, F.A.C., within one year, of a structure damaged in a discrete event such as a storm, flood, accident, or fire.
- (j) Structures or activities shall be constructed, operated, and maintained solely for water dependent purposes, or for non-water dependent activities authorized under paragraph 18-21.004(1)(g), F.A.C., or any other applicable law.

Rulemaking Authority 253.03(7), 253.73 FS. Law Implemented 253.001, 253.03, 253.141, 253.0347, 253.665, 253.71, 253.68, 253.72, 253.74, 253.75, 253.77 FS. History—New 3-27-82,

PREPARED BY: GARLICK ENVIRONMENTAL ASSOCIATES, INC.

P. O. BOX 385, APALACHICOLA FLORIDA 32329-0385

(850) 653-8899

FAX (850) 653-9656

garlick@garlickenv.com

LB No. 7415

APPLICANT/CLIENT: Travis Fink

WATERBODY/CLASS: Alligator Harbor / ClassII / OFW / AP

PURPOSE: DFA - EP Boat Roof

PROJECT LOCATION / USGS: Franklin County / Alligator Point

LATITUDE: 29.900258

LONGITUDE: 84.386275

SECTION: 1 TOWNSHIP: 7 South

RANGE: 2 West

JOB: 20-071

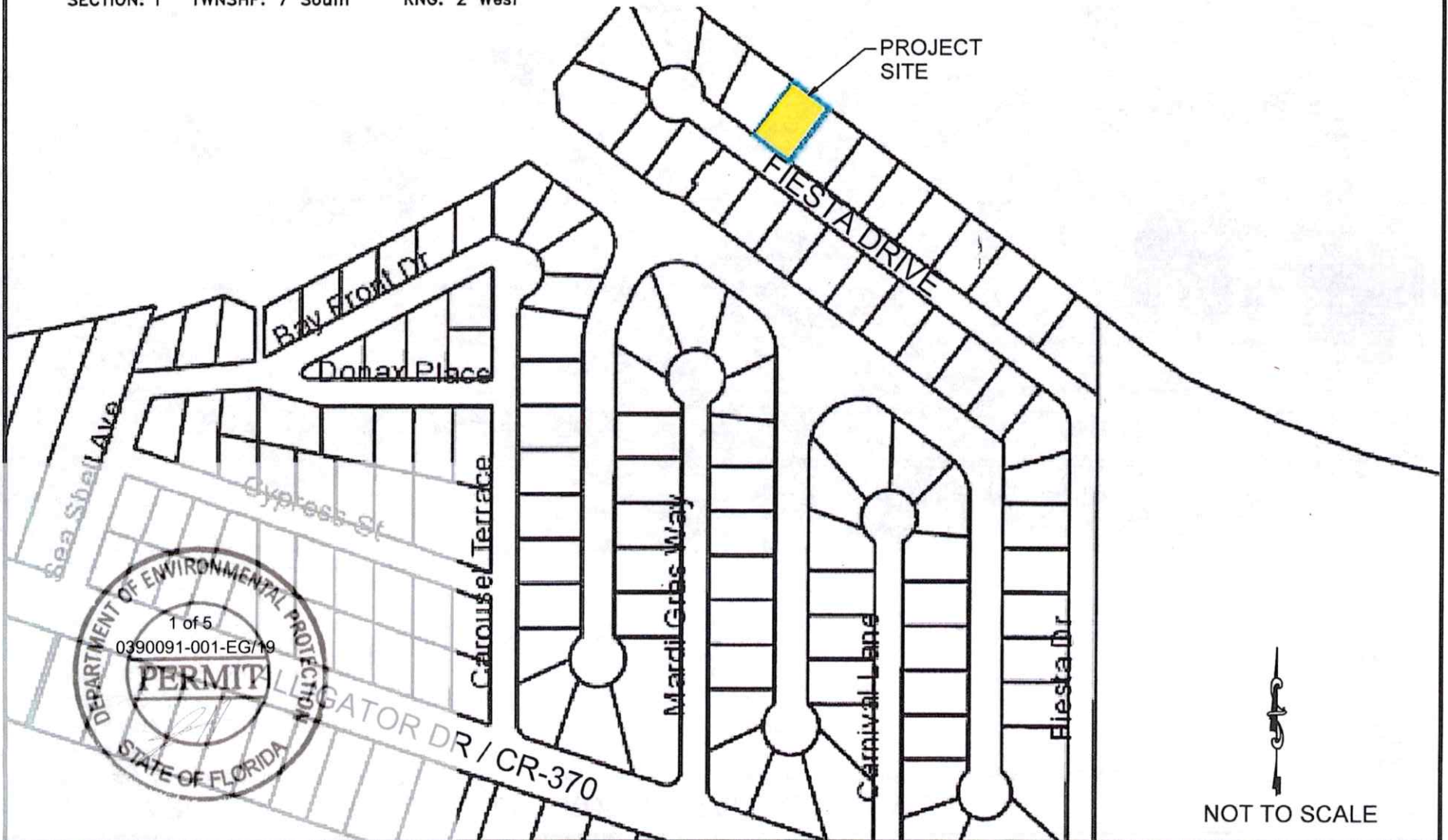
DEP:

COE:

OTHER:

DATE: July 13, 2020

SHEET: 1/4



PREPARED BY: GARLICK ENVIRONMENTAL ASSOCIATES, INC.

P. O. BOX 385, APALACHICOLA FLORIDA 32329-0385

(850) 653-8899

FAX (850) 653-9656

garlick@garlickenv.com

LB No. 7415

APPLICANT/CLIENT: Travis Fink

WATERBODY/CLASS: Alligator Harbor / ClassII / OFW / AP

PURPOSE: DFA - EP Boat Roof

PROJECT LOCATION / USGS: Franklin County / Alligator Point

LATITUDE: 29.900258

LONGITUDE: 84.386275

SECTION: 1 TWNShP: 7 South RNG: 2 West

JOB: 20-071

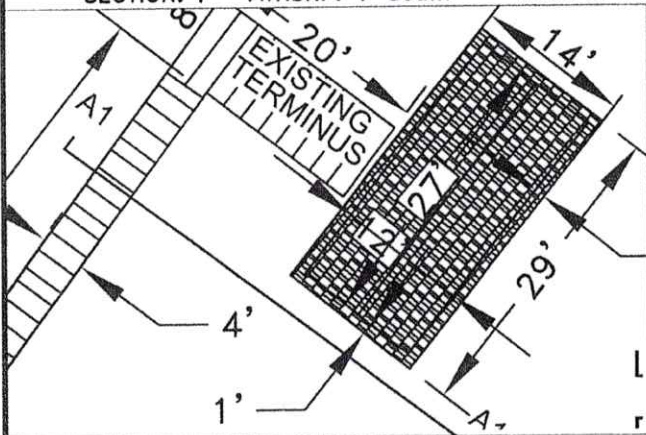
DEP:

COE:

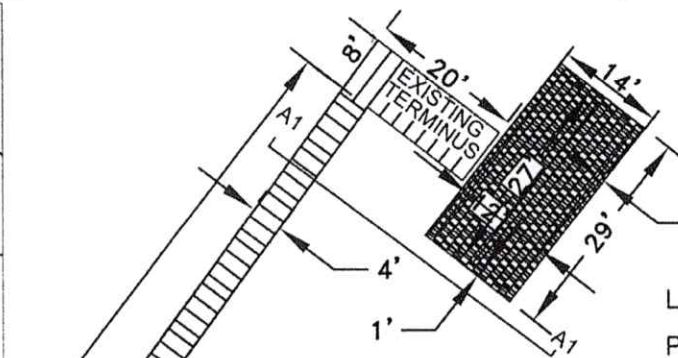
OTHER:

DATE: July 13, 2020

SHEET: 3/4



CLOSEUP OF PROPOSED ROOF
NTS



ALLIGATOR
HARBOR

NOTE:
THERE ARE NO
SAV WITHIN THE
DOCK OR BOAT
ROOF ALIGNMENT
SAV STUDY
COMPLETED 7-7-20

LEGEND:

PROPOSED ROOF	-----	411 Sq Ft
EXISTING AREA OF DOCK	-----	676 Sq Ft
TOTAL	-----	1087 Sq Ft
COMBINED		

SIZE OF PROPOSED BOAT
WILL BE 27' LENGTH/12' WIDTH



SCALE 1" = 50'

PREPARED BY: GARLICK ENVIRONMENTAL ASSOCIATES, INC.

P. O. BOX 385, APALACHICOLA FLORIDA 32329-0385

(850) 653-8899

FAX (850) 653-9656

garlick@garlickenv.com

LB No. 7415

APPLICANT/CLIENT: Travis Fink

JOB: 20-071

WATERBODY/CLASS: Alligator Harbor / ClassII / OFW / AP

DEP:

PURPOSE: DFA - EP Boat Roof

COE:

PROJECT LOCATION / USGS: Franklin County / Alligator Point

OTHER:

LATITUDE: 29.900258

DATE: July 13, 2020

LONGITUDE: 84.386275

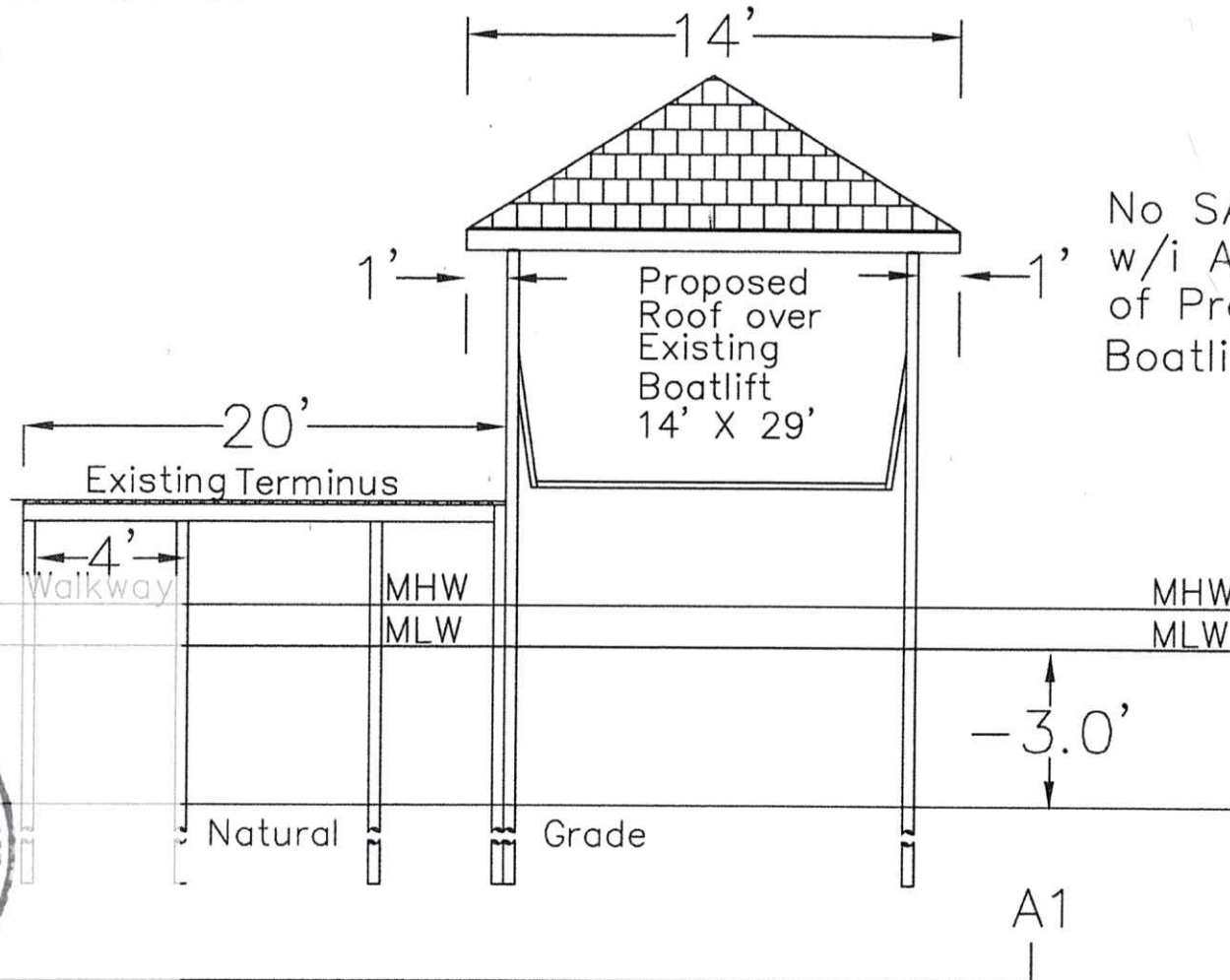
SHEET: 4/4

SECTION: 1 TWSHP: 7 South

RNG: 2 West



CROSS SECTION A-A
PROPOSED COVERED
BOATLIFT
NOT TO SCALE



No SAVs
w/i Alignment
of Proposed
Boatlift Roof

