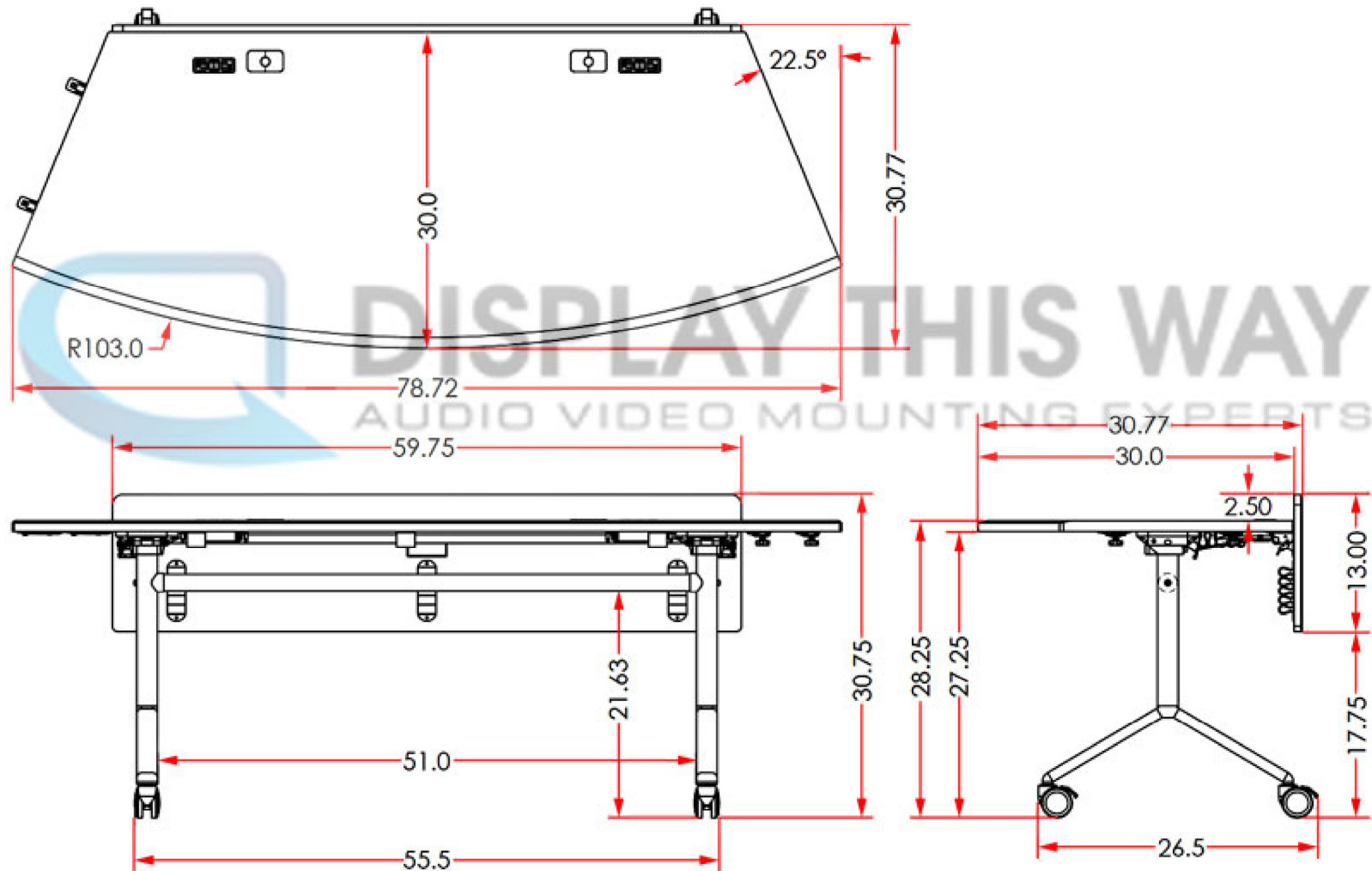


MFT6024-2PWRD



*Specification subject to change without notice.