

PURCHASE ORDER

Effingham County Board of Commissioners

804 S LAUREL STREET
 SPRINGFIELD, GA 31329
 Phone: 912-754-2159
 Fax: 912-754-8413

DATE: 11/21/2023
P.O. # 23-REQ-045

VENDOR

Low Country Machinery
 1008 US HWY 80 E
 Pooler, GA 31322
 ATTN: Marty Ward
 912-663-0228
mward@lowcountrymachinery.com

SHIP TO

Effingham County Board of Commissioners
 311 Hwy 119
 Springfield, GA 31329
 ATTN: Charlie Mason
 912-800-1374

REQUISITIONER	SHIP VIA	F.O.B.	SHIPPING TERMS
ECBOC			

ITEM #	DESCRIPTION	QTY	UNIT PRICE	TOTAL
1	Towable Generator - G125RS JCB	2	\$67,500.00	\$ 135,000.00
	2 year/3000 hour warranty			

SUBTOTAL	\$ 135,000.00
TAX RATE	\$ -
TAX	\$ -
S & H	\$ -
OTHER	\$ -
TOTAL	\$ 135,000.00

OTHER COMMENTS OR SPECIAL INSTRUCTIONS
ECBOC is a tax exempt entity. Tax ID# is 58-6000821

Low Country Machinery agrees to furnish two (2) Towable Generator - G125RS JCB as described in 23-REQ-045. The County references the terms, conditions and specifications contained in 23-REQ-045. These units are to be new, never titled and acceptance of this PO does not relieve vendor from any requirements listed in the bid documents.

 Low Country Machinery - SIGNATURE

 TITLE

 Low Country Machinery - PRINT NAME

 DATE

 AUTHORIZED BY - SIGNATURE

CHAIRMAN

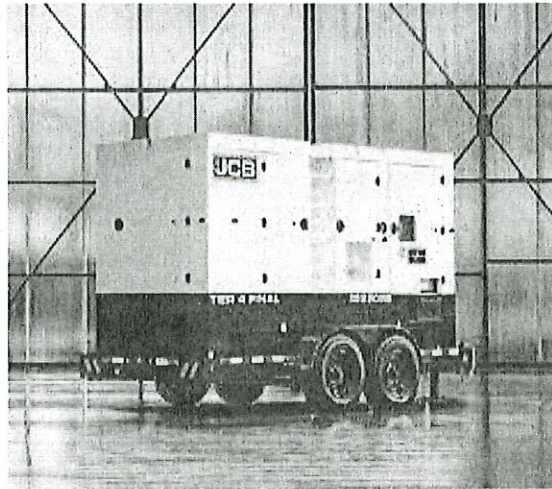
 AUTHORIZED BY - TITLE

WESLEY CORBITT

 AUTHORIZED BY - PRINT NAME

 AUTHORIZED DATE

GI25RS Tier 4 Final



Electrical

Power Output	: 125kVA / 100kW @ 0.8 power factor
Available Voltages @ 60 Hz	: 480/277v 3ph, 208/120v 3ph, 240/120v single phase
US EPA Emissions Compliance	: Tier 4 Final
Fuel & DEF Runtime	: 36 hours

Engine

Manufacturer: JCB	: Model: 448 TA4-129
Aspiration	: Turbocharged and Charge Air Cooled
Displacement	: 4.8 Liters
Fuel Injection	: High Pressure Common Rail
Cooling	: Liquid Cooled
Governor	: Electronically Controlled
Aftertreatment	: Selective Catalytic Reduction (SCR)

Dimensions

Trailer Mounted	: 189 inches long by 74 inches wide by 105 inches tall
Weight	: 8115 pounds
Without Trailer	: 126 inches long by 43 inches wide by 83 inches tall
Weight	: 6615 pounds

Alternator

Manufacturer: Mecc Alte	: Model: ECP34-1L/4A
Type and # Poles	: 4-pole, single bearing with auxiliary high hp motor start winding
Insulation	: Class H
Enclosure	: IP23

Enclosure

Construction	: 2mm thick Zintec steel enclosure
Insulation	: High density fire resistant foam
Sound emission	: 69 dB(A) @ 23 feet, 100% load

Fuel Consumption (Prime)

100% load	: 7.16 gallons per hour
50% load	: 3.7 gallons per hour

Additional Features and Benefits

JCB Livelink for Remote Monitoring - 3 year subscription
Deep Sea Electronics DSE 7310 Autostart Controller
Mecc Alte AVR & PMG
Camlock Connections, Color Coded
Three Position Voltage Selection Switch - 3 phase & 1 phase
Electric Brake Trailer - DOT and NATM Standards
Trailer Fork Pockets
2 Years / 3000 hours warranty
Total Winding Protection for Harsh & Saline Environments
MAUX – High Motor Start Auxiliary Winding
3-Pole Molded Case Circuit Breaker
Earth Leakage Detection
Emergency Stop Button (Control Panel)
120V Charger & Heater Supply Sockets
GFCI 120V Convenience Outlet
50A Twist Lock Power Sockets (3 x 240/120V)
Terminal Safety Microswitches
Battery Isolation Switch
Battery Charger – 10A
Front Panel USB Port
High Engine Temperature Shutdown
Low Oil Pressure Shutdown
Low Coolant Level Alarm
Analog Hour Counter
Bus Live Warning lamp
Audible Alarm Sounder
Panel Mounted Voltage Trim Potentiometer
External Emergency Stop Button
Galvanized Steel Enclosure
Maintenance Access Doors
Powder-coat Paint, Electrostatically bonded
Heavy Duty Steel Base
Residential Silencer
Fuel Tank Access Plate
External Fuel Fill
Control Panel Viewing Window
4-Point Tie Down
High Density Fire Resistant Foam
Self Latching Cable Access Points
Door Retention Catches
Tropical Cooling Pack for High Ambient Temperatures
Heavy Duty Air Filter
Radiator Fan Guards
Hot Component Guards
Manual Oil Drain Pump
Water Jacket Heater
Fuel Pre-Filter with Separator & Fuel Level Sender
3 Way Fuel Valve for Interconnection with External Fuel Supply
Meets US EPA Tier 4 Final emissions without DPF or DOC



UNITED STATES ENVIRONMENTAL PROTECTION AGENCY
2021 MODEL YEAR
CERTIFICATE OF CONFORMITY
WITH THE CLEAN AIR ACT

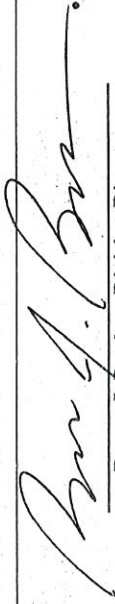
**OFFICE OF TRANSPORTATION
 AND AIR QUALITY
 ANN ARBOR, MICHIGAN 48105**

Certificate Issued To: JCB Power Systems Ltd.
 (U.S. Manufacturer or Importer)

Certificate Number: MJCBL04.8S12-002

Effective Date:
 11/20/2020

Expiration Date:
 12/31/2021



Byron J. Bunker, Division Director
 Compliance Division

Issue Date:
 11/20/2020

Revision Date:
 N/A

Model Year: 2021

Manufacturer Type: Original Engine Manufacturer

Engine Family: MJCBL04.8S12

Mobile/Stationary Indicator: Both

Emissions Power Category: 56<=kW<130

Fuel Type: Diesel

After Treatment Devices: Ammonia Slip Catalyst, Selective Catalytic Reduction

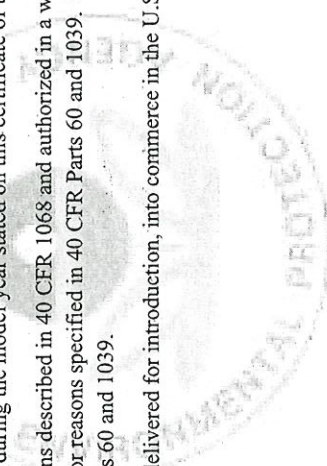
Non-after Treatment Devices: Electronic Control, Non-standard Non-After Treatment Device Installed, Engine Design Modification, Electronic/Electric EGR - Cooled

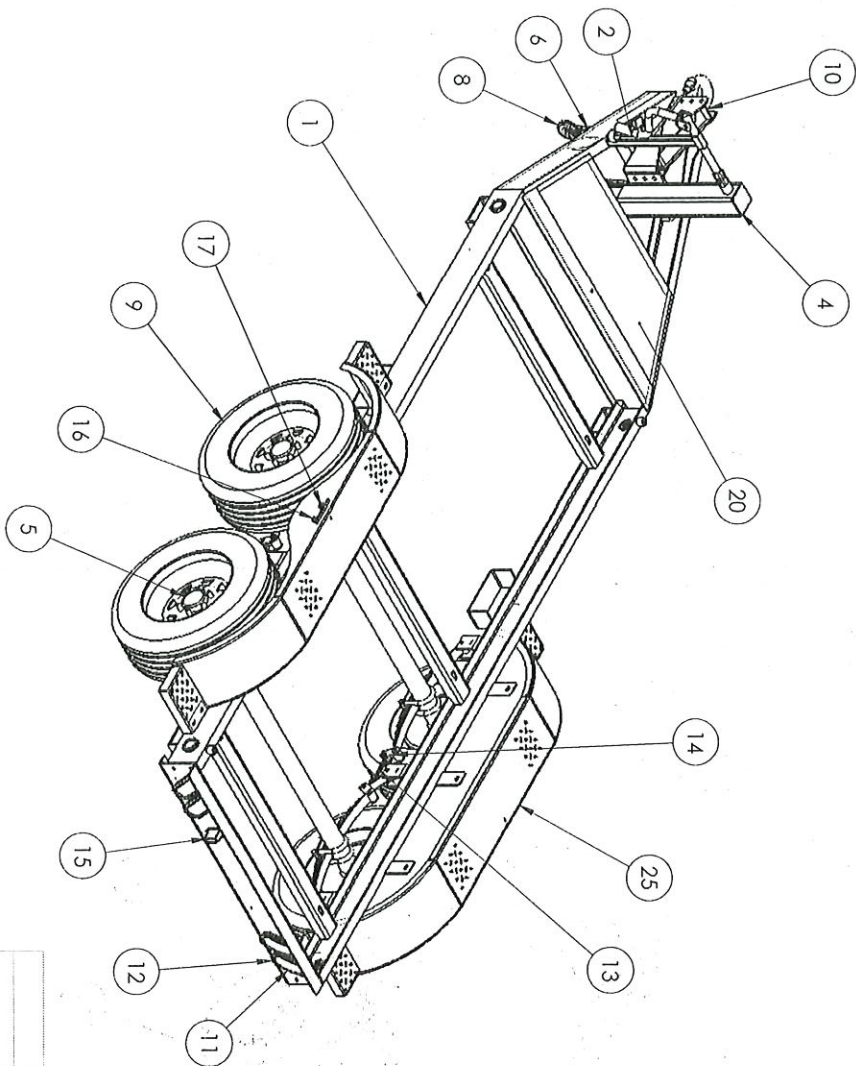
Pursuant to Section 111 and Section 213 of the Clean Air Act (42 U.S.C. sections 7411 and 7547) and 40 CFR Parts 60 and 1039, and subject to the terms and conditions prescribed in those provisions, this certificate of conformity is hereby issued with respect to the test engines which have been found to conform to applicable requirements and which represent the following engines, by engine family, more fully described in the documentation required by 40 CFR Parts 60 and 1039 and produced in the stated model year.

This certificate of conformity covers only those new compression-ignition engines which conform in all material respects to the design specifications that applied to those engines described in the documentation required by 40 CFR Parts 60 and 1039 and which are produced during the model year stated on this certificate of the said manufacturer, as defined in 40 CFR Parts 60 and 1039.

It is a term of this certificate that the manufacturer shall consent to all inspections described in 40 CFR 1068 and authorized in a warrant or court order. Failure to comply with the requirements of such a warrant or court order may lead to revocation or suspension of this certificate for reasons specified in 40 CFR Parts 60 and 1039. It is also a term of this certificate that this certificate may be revoked or suspended or rendered void *ab initio* for other reasons specified in 40 CFR Parts 60 and 1039.

This certificate does not cover engines sold, offered for sale, or introduced, or delivered for introduction, into commerce in the U.S. prior to the effective date of the certificate.





ITEM NO.	PART NUMBER	DESCRIPTION	QTY.
1	11002-1	FRAME, WELDMENT	1
2	134854	CONNECTOR, SAFETY CHAIN	2
4	11002-17	12K SIDE WIND JACK	1
5	MM/DI114	6K ELECTRIC BRAKE AXLE, 6 ON 5.5	2
6	CHAIN	3/8 GRADE 70	2
8	HOOK	3/8 GRADE 70 SLIP HOOK	2
9	MM/DI096	ST225/75R15D BLACK RIM 6 ON 5.5"	4
10	MM/DI131	PIN TLE EYE, ZINC COATED	1
11	MM/DI393	LED RED OBLONG LIGHT	4
12	MM/DI204	INCANDESCENT LIGHT GROMMET	4
13	QSBS-14F-GR6-D1013-balance	EQUALIZER	2
14	QSBS-14F-spring-plate	SHACKLE WITH BOLTS	8
15	MM/DI165	TAG LIGHT KIT	1
16	MM/DI210	3/4" FLAT RED LED MARKER LIGHT	2
17	MM/DI211	3/4" FLAT AMBER LED MARKER LIGHT	2
18	MM/DI417	BREAKAWAY KIT 3A10-150	1
19	MM/DI168	7 PRONG FLAT RV STYLE PLUG	1
20	11002-26	FRONT DECK PLATE	1
21	MM/DI230	2" CLEARANCE LIGHT GROMMET & PLUG	4
22	MM/DI394	LED RED 2" CLEARANCE LIGHT	2
23	MM/DI395	LED AMBER 2" CLEARANCE LIGHT	2
24	MM/DI173	DOCUMENT HOLDER	1
25	JCBGF2UAL	BOLT ON FENDER ASSEMBLY	2

PROPRIETARY AND CONFIDENTIAL
 THE INFORMATION CONTAINED IN THIS DRAWING IS THE SOLE PROPERTY OF JCB AND IS TO BE USED FOR THE PART OR AS A WHOLE WITHOUT THE WRITTEN PERMISSION OF JCB. INCL. B. PROHIBED.

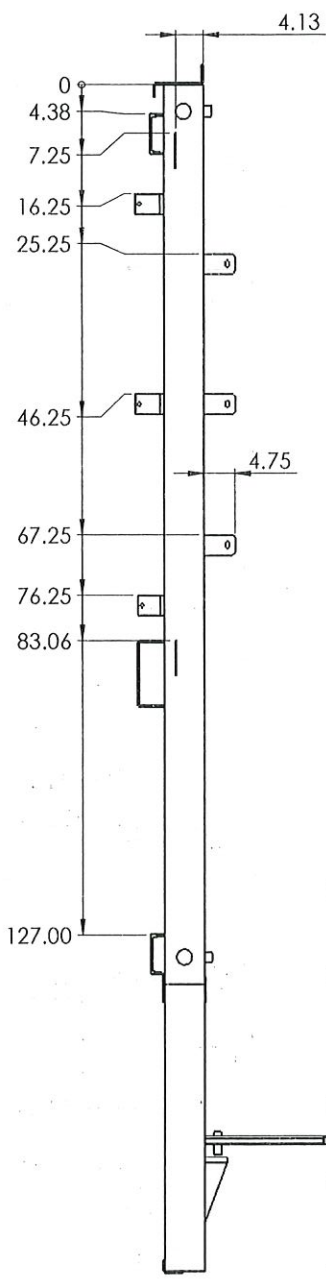
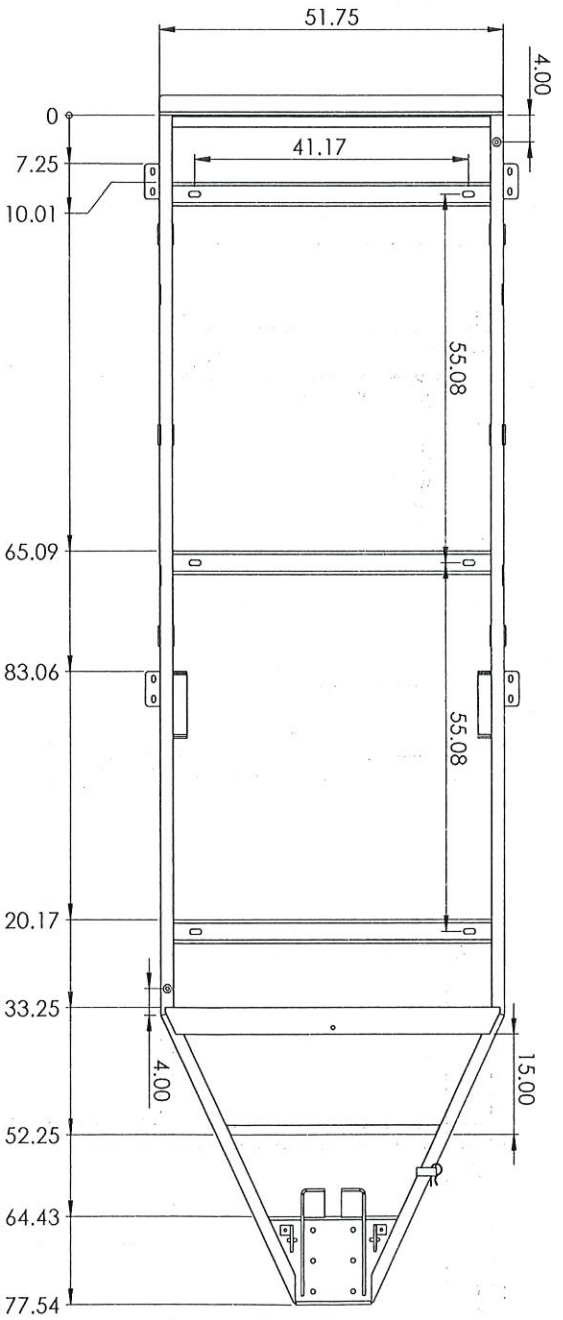
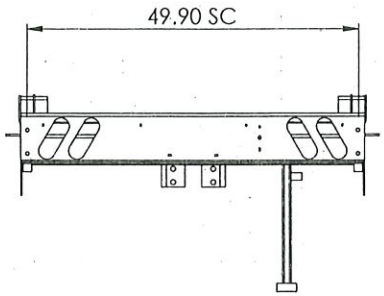
UNLESS OTHERWISE SPECIFIED:	DRAWN		NAME	DATE
DIMENSIONS ARE IN INCHES	SS	4/25/19	SS	4/25/19
TOLERANCES	LAST UPDATED		SS	5-14-2020
FRACTIONAL: 1/32	ENG APPR.			
ANGULAR: MACH - BEND ± 1	MFG APPR.			
THREADS: PER ANSI B1.13	COMMENTS:			
HOLE PLACES: DECIMAL ± .03	O.A.			
INTERFER: GEOMETRIC				
DRAWING PER:				
MATERIAL:				
FINISH:				
NEST ASSY	XX			
USED ON:				
APPLICATION:				
DO NOT SCALE DRAWING				

MPDI 200 Beltway Blvd
 Matthews, NC 28104

JCB - GF125RST4F

SCALE: 1:1.8 WEIGHT: SHEET 1 OF 19

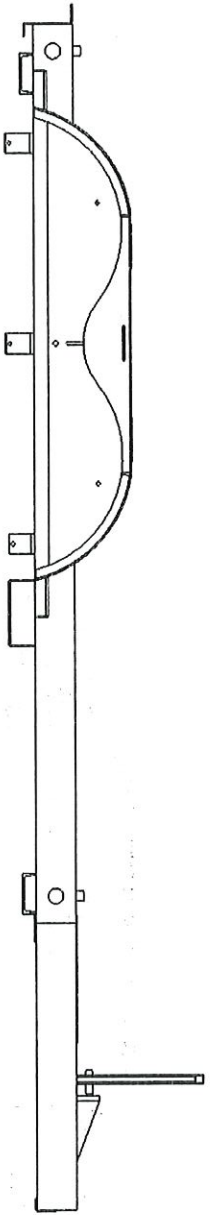
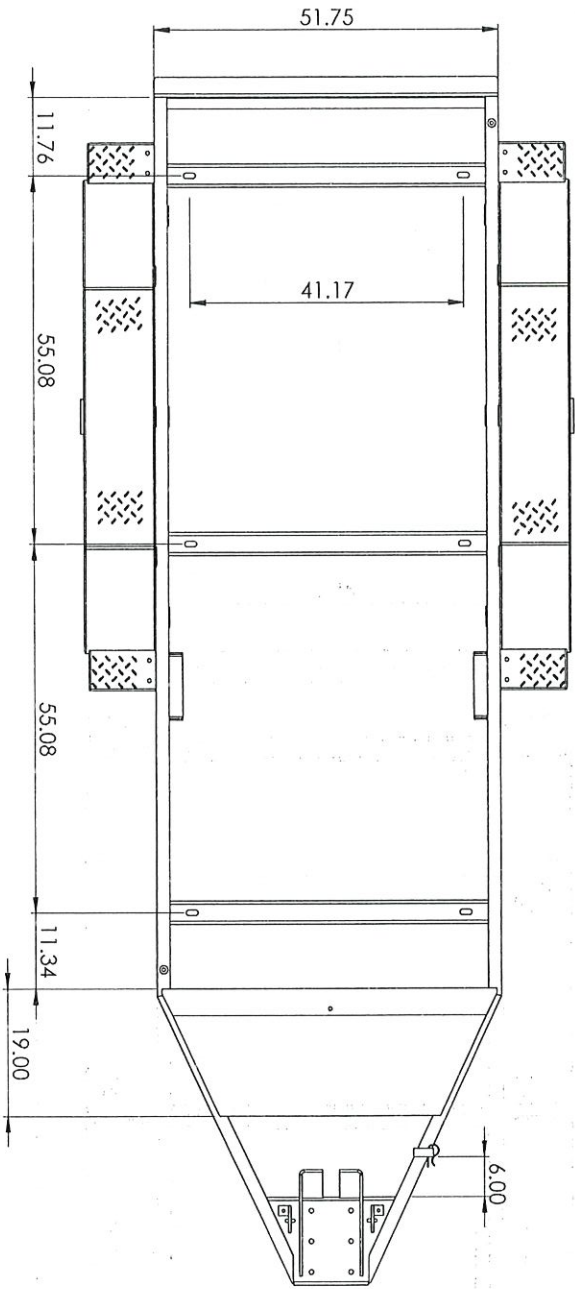
8 7 6 5 4 3 2 1



PROPRIETARY AND CONFIDENTIAL
 THE INFORMATION CONTAINED IN THIS DRAWING IS THE SOLE PROPERTY OF MWDI, INC. AND IS TO BE USED ONLY IN WRITTEN PERMISSION OF MWDI, INC. & PROTECTED.

UNLESS OTHERWISE SPECIFIED:		DRAWING	
DIMENSIONS ARE IN INCHES	FRACTIONAL: 1/32	NAME	DATE
ANGULAR: MACH: BEND: ±1	TWO PLACE DECIMAL: ±.05	BS	4-25-19
THREE PLACE DECIMAL: ±.03	MFG APPR.	BS	5-14-2020
INTERPRET GEOMETRIC TOLERANCING PER	COMMENTS:	MWDI 200 Bellway Blvd Matthews, NC 28104	
NEST ASST	USED ON	JCB - GF125RST4F SIZE DWG. NO. 11002-G125RST4F SCALE: 1:1.8 WEIGHT: SHEET 3 OF 19	
APPLICATION	FINISH	TITLE:	
		COMMENTS:	
		O.A.	
		MFG APPR.	
		INTERPRET GEOMETRIC TOLERANCING PER	
		DO NOT SCALE DRAWING	

8 7 6 5 4 3 2 1



PROPRIETARY AND CONFIDENTIAL
 THE INFORMATION CONTAINED IN THIS
 DRAWING IS THE SOLE PROPERTY OF
 MWDI INC. ANY REPRODUCTION,
 PARTIAL OR AS A WHOLE WITHOUT THE
 WRITTEN PERMISSION OF
 MWDI INC. IS PROHIBITED.

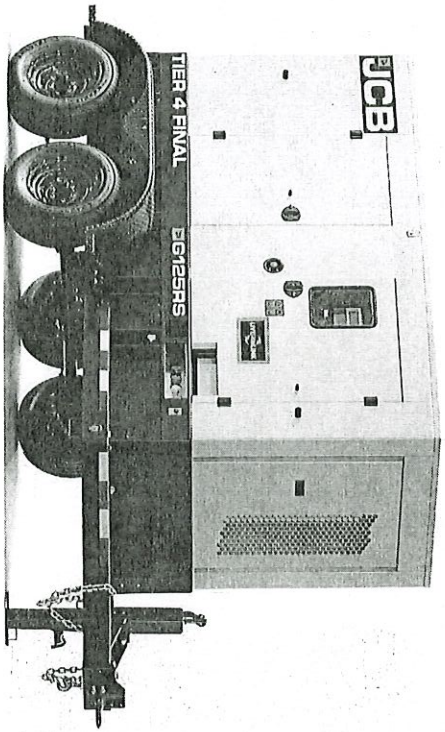
UNLESS OTHERWISE SPECIFIED:		NAME	DATE
DIMENSIONS ARE IN INCHES		SS	4/25/19
TOLERANCES:		DRAWN	CHECKED
FRACTIONAL: ± .00		ENG APPR	MG APPR
ANGULAR: MACH - BEND: ± 1			
TWO PLACE DECIMAL: ± .00			
THREE PLACE DECIMAL: ± .00			
INTERPRET GEOMETRIC TOLERANCING PER MATERIAL		COMMENTS:	
FINISH		Q.A.	
DO NOT SCALE DRAWING			
USED ON			
NEXT ASSY			
APPLICATION			

MWDI 200 Bellway Blvd
 Matthews, NC 28104
JCB - GF125RST4F

SIZE DWG. NO. REV
B 11002-G125RST4F

SCALE: 1:1.8 WEIGHT: SHEET 4 OF 19

G125RS | Rental Diesel Generator



WEIGHT AND DIMENSIONS - STATIC

Length	in	126
Width	in	43
Height	in	83
Weight*	lbs	6615

*Standard build with all fluids including fuel

WEIGHT AND DIMENSIONS - TRAILER MOUNTED

Length	in	189
Width	in	74
Height	in	105
Weight*	lbs	8115

*Standard build with all fluids including fuel

DIESEL GENERATOR

T4F

ELECTRICAL

Frequency (Hz)	Phases	Voltage (V)	Prime Rating	kVA	KW	Amps	Rated Speed (RPM)	Emissions
60	3	480/277V	125	125	100	151	1800	T4F
60	3	208/120V	125	125	100	347	1800	T4F
60	1	240V	66	66	66	275	1800	T4F

POWER FACTOR	
3 Phase	0.8
1 Phase	1

ALL RATINGS ARE TO STANDARD REFERENCE CONDITIONS

Prime: This rating is for the supply of continuous electrical power, at variable load (70% average), in lieu of commercially purchase power. There is no limitation on the annual hours of operation and 10% over load power can be supplied for 1 hour in 12. Ambient reference conditions 1000mbar, 25°C, 30% relative humidity ISO3046

G125RS | Rental Diesel Generator



AIR SYSTEM			
Limiting Ambient Temperature	°F		124
Radiator Duct Allowance	In H ₂ O	60Hz	TBC
Radiator Cooling Airflow	cfm		10594

EXHAUST SYSTEM			
Maximum Temperature	100%	°F	TBC
Exhaust Gas Flow	100%	lbs/hr	1387
Maximum Allowed Back Pressure		In H ₂ O	100

FUEL SYSTEM			
Diesel Specification	Grade		ASTM D975 (2D)
Standard Fuel Tank Capacity	(US) g		132
Fuel Tank Material	Type		Steel
Fuel Tank Construction			Double Skinned

FUEL CONSUMPTION			
100% Load Prime	(US) gph		7.16
75% Load Prime	(US) gph	60Hz	5.42
50% Load Prime	(US) gph		3.70

DEF SYSTEM			
DEF Specification			ISO 22241-1
Standard Capacity/ Tank	(US) g		4.5

DEF CONSUMPTION			
100% Load Prime	(US) gph		0.25
75% Load Prime	(US) gph	60Hz	0.19
50% Load Prime	(US) gph		0.13

ENGINE			
Net Output Rating (PRP)	1800 RPM		106 kW
Net Output Rating (Standby)			117 kW

Manufacturer and Model	JCB JCB 448 TA4-129	
Fuel	Diesel	
Injection	Common Rail	
Aspiration	Turbo Charged	
Cylinders	4	
Bore and Stroke	in	4.2 x 5.3
Displacement	in ³	291.0
Cooling	Water	

Engine Oil Specification	API CH4-SAE 10W/40	
Compression Ratio	16.7 : 1	
Engine Oil Capacity	(US) g	4.00
Coolant Capacity	(US) g	4.2
Governor	Electronic	
Engine Oil Consumption	(US) gph	0.004
Exhaust After treatment	SCR	•
	DOC	x
	DPF	x

AMBIENT CLEARANCE			
Upper Temperature Limit	°F		122
Lower Temperature Limit	°F		23

SOUND PRESSURE			
LpA (23ft & 100% load)	dB(A)	60Hz	69

JCB GENERATOR TECHNICAL SPECIFICATIONS. www.jcb.com. JCB reserves the right to change specifications without notice. Illustrations shown may include optional equipment and accessories.

G125RS | Rental Diesel Generator



ELECTRICAL

AVR DSR	•	Δ
AVR DER1 with 3 phase sensing	•	Δ
Total + Winding Protection for Harsh & Saline Environments	•	Δ
MAUX – High Motor Start Auxiliary Winding	•	Δ
Anti-Condensation Heater	•	Δ
3 Pole Moulded Case Circuit Breaker	•	Δ
Earth Leakage Protection (Switchable)	•	Δ
Preparation for Earth Spike	•	Δ
Emergency Stop Button (Control Panel)	•	Δ
120V Charger & Heater Supply Sockets	•	Δ
GFCI 120V Small Power Sockets	•	Δ
50A Shore Power Sockets	•	Δ
Camlock Connections	•	Δ
Terminal Safety Microswitches	•	Δ
Standard: •	Not Available: x	Optional: Δ

BATTERY FEATURES

Battery Isolator	•
Battery Type	Maintenance Free Lead Acid
Battery Charger – 10A	Δ

STARTING SYSTEM

Battery Capacity	Ah	1000
Number of Batteries		1
Auxiliary Voltage	V	12

ALTERNATOR ECP34-1L/4A

Poles	4
Insulation	Class H
Enclosure	IP23
Exciter System	MAUX-Excitation
Voltage Regulator	AVR - DSR
Steady State Voltage Regulation	+/- 1%
Bearing	Single bearing sealed
Coupling	Flexible disc
Cooling	Direct drive centrifugal blower fan
Coating	Total Protection +
Multi Position Voltage Selection Switch	Δ
Standard: •	Not Available: x
	Optional: Δ

CONTROL AND COMMUNICATION

DSE 7310 (Non Sync) Controller	•
DSE 8610 (Sync) Controller (>220 with DSE8003 colour screen)	Δ
Defi AGCI50 (Non Sync) Controller	Δ
Defi AGC4 (Sync) Controller with TDU7 Touchscreen Display	x
Analogue Load Share	Δ
External USB Programmable Port	Δ
JCB Liveliink for Power	•
High Engine Temperature Shutdown	•
Low Oil Pressure Shutdown	•
Low Coolant Level Alarm	•
Leak Detection Alarm	Δ
Analogue Hour Counter	Δ
Bus Live Warning Lamp	•
Audible Alarm Sounder	•
Panel Mounted Voltage Trimpot	Δ
Standard: •	Not Available: x
	Optional: Δ

G125RS | Rental Diesel Generator



MECHANICAL

Tropical Cooling Pack	●	
Heavy Duty Air Filter	●	
Radiator Fan Guards	●	
Hot Component Guards	●	
Manual Oil Drain Pump	△	
Water Jacket Heater	△	
Fuel Pre-Filter with Separator	●	
Racor water/fuel separator	△	
Racor change over water/fuel separator	x	
Fuel Level Sender	●	
3 Way Fuel Valve	△	
Exhaust Silencer including Aftertreatment	●	
Fuel Tank Access Plate	●	
External Fuel and DEF Fill Point	●	
Remote DEF Tank Connection	△	
Standard: ●	Not Available: x	Optional: △

TRAILER - Optional

DOT Approval	●	
LED Lights	●	
Electric Brakes	●	
Access Platform Fenders	●	
3" Pintle Eye Hitch	●	
7 Pin Towing Electrics	●	
Tie Down Points	●	
Heavy Duty Jack	●	
Fire Extinguisher	△	
Black Paint Finish (Trailer & Rims)	●	
Standard: ●	Not Available: x	Optional: △

CANOPY

Lockable Maintenance Access Doors	●	
Control Panel Viewing Window	●	
Single Lift Point	●	
Fork Lift Pockets	x	
Fluid Containment with Drain Point	●	
4 Point Tie Down	●	
High Density Fire Retardant Foam	●	
Yellow Paint	●	
Other Paint Finishes	△	
Heavy Duty Rental Base	●	
Zintec Steel Canopy	●	
Integrated High Level Access Ladder	x	
Self-Latching Cable Access Points	●	
Door Retention Catches	●	
External Emergency Stop Button	●	
Waterproof Document Holder	△	
Standard: ●	Not Available: x	Optional: △

JCB GENERATOR TECHNICAL SPECIFICATIONS. www.jcb.com. JCB reserves the right to change specifications without notice. Illustrations shown may include optional equipment and accessories.