

| | |
|----------------|------|
| Catalog Number | |
| Notes | Type |

GBLF3

GlasWerks® Luminescent LED Bern®



General Description

The architectural luminaire consists of a flat LED optical assembly shielded by a decorative formed housing and a top mounted cast aluminum electrical assembly. The optical assembly is seamlessly integrated into the form factor for beautiful daytime appearance and exceptionally uniform lighting at night.

Optical Assembly

The optical assembly consists of an edgelit waveguide light engine for unmatched visual comfort. Light from the LED module is distributed by proprietary wave guide technology to maximize uniformity and minimize glare. Configurable with CCT options of 2700K, 3000K, and 4000K. CRI is 70 minimum. Available with asymmetric, symmetric, or pathway distributions.

Mounting Style

Optional mounting styles include Quick Lock Stem, NPT threads, and horizontal arm.

Quick Lock Stem Mounting style is compatible with the following leveling fitters:

- Boston Harbor Decorative Arm Fitter (BHDF)
- GlasWerks Decorative Arm Fitter (GWDF)
- West Liberty Decorative Arm Fitter (WLDF)
- Ball Style Decorative Fitter (BADF)

Electrical Assembly

The cast aluminum electrical housing has a smooth domed contour. A (3) station terminal block is provided to accept #14 through #2 size wire. The electrical housing is hinged with a tool-less latch to provide easy access to the gear assembly. The unitized electrical assembly, containing the electronic driver and other electrical components, plugs into the quick disconnect receptacle. The pendant mount version has a welded stem (Quick Lock Stem Mounting), which aids in installation speed. The arm mount version is provided with two U-bolts with washers and nuts and two leveling set screws that lock the housing to a 2 inch nominal (2-3/8" O.D.) horizontal

arm and allow a $\pm 5^\circ$ degree adjustment from horizontal to the cover.

Electrical System

Programmable LED driver with 0-10V dimming. Optional DALI dimming. Driver life is rated to at least 100,000 hours. Luminaire surge protection rating of 20kV/10kA per ANSI/IEEE C62.41.2.

Finish

The luminaire is finished with corrosion resistance super durable powder coat paint to ensure maximum durability. Finish is rated to 5,000 hours salt spray per ASTM B117.

Listing

The luminaire is CSA certified to US and Canadian standards. IP55 rated electrical chamber, IP66 rated LED optic chamber. 20kV/10kA extreme surge protection per ANSI/IEEE C136.2. Suitable for operation in ambient temperatures from -40°C to 40°C

DesignLights Consortium® (DLC) qualified product. Not all versions of this product may be DLC qualified. Please check the DLC Qualified Products List at www.designlights.org/QPL to confirm which versions are qualified.

Buy American

This product is assembled in the USA and meets the Buy America(n) government procurement requirements under FAR, DFARS and DOT. Please refer to www.acuitybrands.com/resources/buy-american for additional information.

Warranty

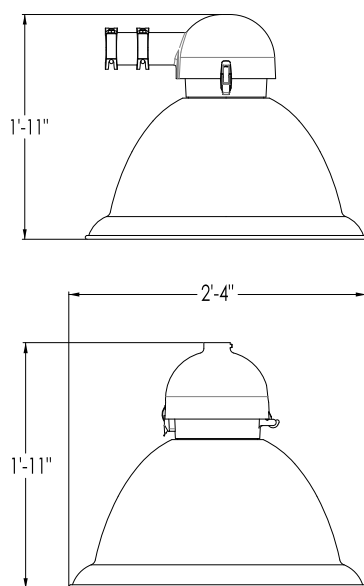
Limited warranty located at: www.acuitybrands.com/support/warranty/terms-and-conditions

Note: Actual performance may differ as a result of end-user environment and application.

All values are design or typical values, measured under laboratory conditions at 25 °C.

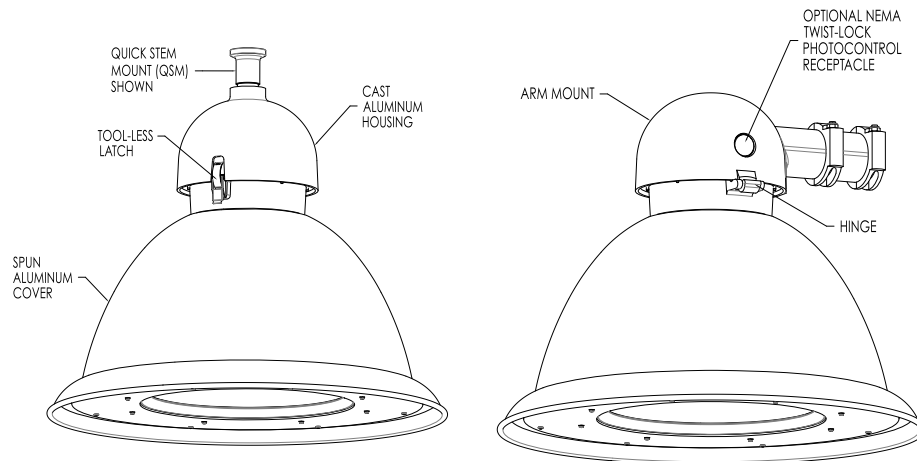
Specifications subject to change without notice.

DIMENSIONAL DATA



Maximum Weight - 51 lbs

Maximum Effective Projected Area - 1.2 ft²



RECEIVED

2/27/2022

CITY OF EDGEWOOD

ORDERING INFORMATION

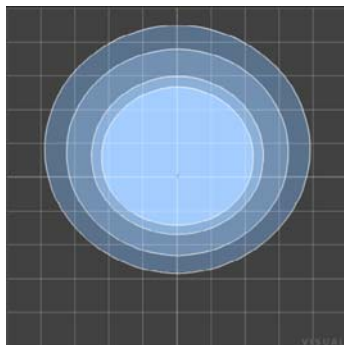
Example: GBLF3 P30 40K MVOLT ASY QSM BK

| Cover Type | LED Lumen Package | Color Temperature | Voltage | Optics | Mounting Style | Finish Color |
|------------|-----------------------------|-------------------|----------------|----------------|--------------------------|--------------|
| GBLF3 Bern | P10 P10 Performance Package | 27K 2700K, 70 CRI | MVOLT 120-277V | ASY Asymmetric | ARM Horizontal Arm Mount | BK Black |
| | P20 P20 Performance Package | 30K 3000K, 70 CRI | HVOLT 347-480V | SYM Symmetric | NPT 1.5" NPT Thread | BZ Bronze |
| | P30 P30 Performance Package | 40K 4000K, 70 CRI | | PTH Pathway | QSM Quick Stem Mount | GH Graphite |
| | P40 P40 Performance Package | | | | | GN Green |
| | P50 P50 Performance Package | | | | | GR Gray |
| | P60 P60 Performance Package | | | | | WH White |
| | P70 P70 Performance Package | | | | | |
| | P80 P80 Performance Package | | | | | |

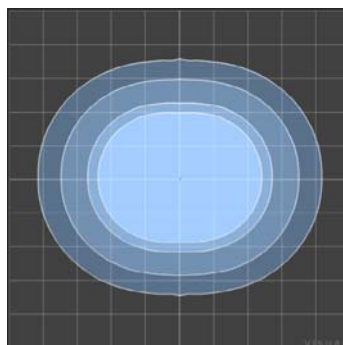
| Options | |
|---|------------------------------|
| <u>Control Options:</u> | <u>Prewire Lead Options:</u> |
| PR3 3 pin NEMA photocontrol receptacle | L03 3ft prewire leads |
| PR7 7 pin NEMA photocontrol receptacle | L10 10ft prewire leads |
| PR3E 3 pin NEMA photocontrol external | L20 20ft prewire leads |
| PR7E 7 pin NEMA photocontrol external | L25 25ft prewire leads |
| P34 Solid state long life photocontrol (347V) | L30 30ft prewire leads |
| P48 Solid state long life photocontrol (480V) | |
| PCLL DLL photocontrol | <u>NEMA Label Options:</u> |
| SH Shorting cap | NL1X1 1" x 1" NEMA label |
| A0 Adjustable Output Module | NL3X3 3" x 3" NEMA label |
| DALI DALI dimming | |
| WG Wire guard (ships separately) | |
| HSS House side shield (ships separately) | |

| Accessories: Order as separate catalog number. | |
|--|-------------------|
| GBLF3HSS | House side shield |
| GBLF3WG | Wire guard |

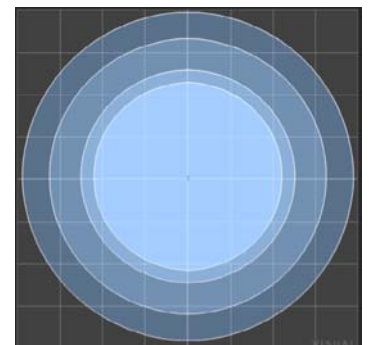
OPTICAL DISTRIBUTIONS



ASY



PTH



SYM

PERFORMANCE DATA
Lumen and Wattage Data

| Lumen Package | System Wattage | Distribution | 2700K, 70 CRI | | 3000K, 70 CRI | | 4000K, 70 CRI | |
|---------------|----------------|--------------|---------------|-----|---------------|-----|---------------|-----|
| | | | Lumens | LPW | Lumens | LPW | Lumens | LPW |
| P10 | 30 | ASY | 3,738 | 126 | 3,870 | 130 | 4,122 | 139 |
| | | SYM | 3,860 | 130 | 3,995 | 134 | 4,256 | 143 |
| | | PTH | 3,681 | 124 | 3,811 | 128 | 4,059 | 137 |
| P20 | 51 | ASY | 6,143 | 121 | 6,359 | 125 | 6,774 | 134 |
| | | SYM | 6,343 | 125 | 6,565 | 129 | 6,994 | 138 |
| | | PTH | 6,049 | 119 | 6,262 | 123 | 6,671 | 132 |
| P30 | 62 | ASY | 7,377 | 118 | 7,636 | 122 | 8,135 | 130 |
| | | SYM | 7,617 | 122 | 7,884 | 126 | 8,399 | 135 |
| | | PTH | 7,264 | 116 | 7,520 | 120 | 8,011 | 128 |
| P40 | 75 | ASY | 8,767 | 116 | 9,075 | 121 | 9,668 | 128 |
| | | SYM | 9,052 | 120 | 9,370 | 124 | 9,982 | 133 |
| | | PTH | 8,633 | 115 | 8,937 | 119 | 9,520 | 126 |
| P50 | 95 | ASY | 10,810 | 114 | 11,190 | 118 | 11,920 | 125 |
| | | SYM | 11,161 | 117 | 11,553 | 121 | 12,308 | 129 |
| | | PTH | 10,645 | 112 | 11,019 | 116 | 11,738 | 123 |
| P60 | 118 | ASY | 12,781 | 108 | 13,230 | 112 | 14,094 | 119 |
| | | SYM | 13,196 | 111 | 13,660 | 115 | 14,551 | 123 |
| | | PTH | 12,586 | 106 | 13,028 | 110 | 13,878 | 117 |
| P70 | 151 | ASY | 15,726 | 104 | 16,278 | 108 | 17,341 | 115 |
| | | SYM | 16,236 | 108 | 16,807 | 111 | 17,904 | 119 |
| | | PTH | 15,485 | 103 | 16,029 | 106 | 17,076 | 113 |
| P80 | 173 | ASY | 17,544 | 101 | 18,161 | 105 | 19,346 | 112 |
| | | SYM | 18,114 | 105 | 18,750 | 108 | 19,974 | 115 |
| | | PTH | 17,276 | 100 | 17,883 | 103 | 19,050 | 110 |

OPTIONS MATRIX

| | | Lumen Package | | | | | | | | Voltage | | Receptacle | | | | Photocontrol | | | | Dimming Options | | |
|-----------------|-------|---------------|------|------|------|-----|-----|-----|-----|---------|-------|------------|-----|------|------|--------------|------|------|-----|-----------------|------|------|
| | | P10 | P20 | P30 | P40 | P50 | P60 | P70 | P80 | MVOLT | HVOLT | PR3 | PR7 | PR3E | PR7E | PCLL | PCL3 | PCL4 | SH | AO | DALI | |
| Lumen Package | P10 | | N | N | N | N | N | N | N | Y | Y | Y | Y | Y | Y | Y | Y | Y | Y | Y | RFD* | |
| | P20 | N | | N | N | N | N | N | N | Y | Y | Y | Y | Y | Y | Y | Y | Y | Y | Y | Y | RFD* |
| | P30 | N | N | | N | N | N | N | N | Y | Y | Y | Y | Y | Y | Y | Y | Y | Y | Y | Y | RFD* |
| | P40 | N | N | N | | N | N | N | N | Y | Y | Y | Y | Y | Y | Y | Y | Y | Y | Y | Y | RFD* |
| | P50 | N | N | N | N | | N | N | N | Y | Y | Y | Y | Y | Y | Y | Y | Y | Y | Y | Y | RFD |
| | P60 | N | N | N | N | N | | N | N | Y | Y | Y | Y | Y | Y | Y | Y | Y | Y | Y | Y | RFD |
| | P70 | N | N | N | N | N | N | | N | Y | Y | Y | Y | Y | Y | Y | Y | Y | Y | Y | Y | RFD |
| | P80 | N | N | N | N | N | N | N | | Y | Y | Y | Y | Y | Y | Y | Y | Y | Y | Y | Y | RFD |
| Voltage | MVOLT | Y | Y | Y | Y | Y | Y | Y | Y | | N | Y | Y | Y | Y | Y | N | N | Y | Y | RFD | |
| | HVOLT | Y | Y | Y | Y | Y | Y | Y | Y | N | | Y | Y | Y | Y | N | Y | Y | Y | Y | N | |
| Receptacle | PR3 | Y | Y | Y | Y | Y | Y | Y | Y | Y | | N | N | N | N | Y | Y | Y | Y | Y | RFD | |
| | PR7 | Y | Y | Y | Y | Y | Y | Y | Y | Y | Y | | N | N | N | Y | Y | Y | Y | Y | RFD | |
| | PR3E | Y | Y | Y | Y | Y | Y | Y | Y | Y | Y | N | | N | N | Y | Y | Y | Y | Y | RFD | |
| | PR7E | Y | Y | Y | Y | Y | Y | Y | Y | Y | Y | N | N | | N | Y | Y | Y | Y | Y | RFD | |
| Photocontrol | PCLL | Y | Y | Y | Y | Y | Y | Y | Y | Y | N | Y | Y | Y | Y | | N | N | N | Y | RFD | |
| | PCL3 | Y | Y | Y | Y | Y | Y | Y | Y | N | Y | Y | Y | Y | Y | N | | N | N | Y | RFD | |
| | PCL4 | Y | Y | Y | Y | Y | Y | Y | Y | N | Y | Y | Y | Y | N | N | | N | Y | Y | RFD | |
| | SH | Y | Y | Y | Y | Y | Y | Y | Y | Y | Y | Y | Y | Y | Y | N | N | N | | Y | RFD | |
| Dimming Options | AO | Y | Y | Y | Y | Y | Y | Y | Y | Y | Y | Y | Y | Y | Y | Y | Y | Y | Y | Y | N | |
| | DALI | RFD* | RFD* | RFD* | RFD* | RFD | RFD | RFD | RFD | RFD | N | RFD | RFD | RFD | RFD | RFD | RFD | RFD | RFD | RFD | N | |

Y = combination is available
 N = combination is not available
 RFD = consult factory, additional information required
 RFD* = consult factory, additional information required, not CSA certified

GBLF3

GlasWerks® Luminescent LED Bern®



| LED Lumen Maintenance | | | | | |
|-----------------------|--------------|--------------|--------------|--------------|---------------|
| 25,000 hours | 36,000 hours | 50,000 hours | 60,000 hours | 75,000 hours | 100,000 hours |
| 98% | 96% | 94% | 93% | 91% | 88% |

Lumen maintenance calculated according to TM-21 at 25°C ambient. Italicized values are extrapolated beyond the standard.

| Adjustable Output (AO) Response | | |
|---------------------------------|----------------|-----------|
| AO Setting | % Lumen Output | % Wattage |
| 8 | 100% | 100% |
| 7 | 94% | 94% |
| 6 | 82% | 81% |
| 5 | 70% | 68% |
| 4 | 58% | 56% |
| 3 | 46% | 43% |
| 2 | 33% | 31% |
| 1 | 21% | 19% |

| Luminaire Ambient Temperature Factor | |
|--------------------------------------|-----------------------|
| Ambient Temperature | Relative Lumen Output |
| 0°C | 1.03 |
| 15°C | 1.02 |
| 20°C | 1.01 |
| 25°C | 1.00 |
| 30°C | 0.99 |
| 35°C | 0.99 |
| 40°C | 0.98 |



RECEIVED

2/27/2022

CITY OF EDGEWOOD

RECEIVED
2/27/2022
CITY OF EDGEWOOD

