

# STATEMENT OF WORK

This STATEMENT OF WORK ("SOW") is issued under that certain Master Service Agreement dated the 21st day of October, 2022 (the "Agreement") by and between BKTB GROUP, Inc., a Texas corporation doing business as "MC Austin", and City of Dripping Springs ("Customer") which is hereby incorporated by reference. The services rendered hereunder shall be deemed "Services" within the meaning of the Agreement. Terms capitalized herein but not defined herein shall have the meanings given to them in the Agreement. In the event of a conflict between a provision hereof and the Agreement, the specific terms hereof shall prevail.

## 1. Project Overview and Pricing

During the term of this SOW, MC Austin will provide the following services:

Security Improvement project for the Founders Park Pool.

Addition of (2) Camera Channels. (1) PTZ Active deterrence for unauthorized entry area to the north, and (1) 180-deg Panoramic field of view over the pool area. The following is the list of equipment that will be installed and programmed by Beckwith:

1000'	T6939-01-21	Tevelec	4 PAIR CAT 5E BURIAL FILLED UTP POLY 1000' SPOOL
50	ICCMSJHK22	ICC	3/4 STANDARD J-HOOK SIZE 12
100	AL-07-50-35-C	Tevelec	7" CABLE TIES UL PLENUM BURGUNDY PRICED EA - SOLD 100/BAG

### Surveillance Equipment

1	IPBP4K180	Uniview	4K Bullet Camera, Panoramic, 180-deg, WDR, IR, Starview
1	IPCSD54X	Other	5MP Mini-PTZ, Active Deterrence, 2.8-12 MVF, 4X, TDN, WDR, 164' IR, IP66, 12V/PoE

### Additional Costs

1	Warranty / Repair Warranty / Repair
---	-------------------------------------

Total (including labor):

\$7,175.32 plus tax

# STATEMENT OF WORK

## 2. Project Management

2.1 Project Management. Customer and MC Austin will each assign a point of contact (Level 1 POC) for this project. POCs have responsibility for administration and communication for the duration of this project. The POCs will be the focal points for coordinating activities within each of their respective organizations.

**Brandi Cherry-Director of Client Success**  
**Jason Weinstock-IT Coordinator**

## 3. Acceptance Criteria

3.1 The Services will be considered complete when all Deliverables are complete and have been rendered to and accepted by Customer by executing the Certificate of Acceptance.

## 4. Statement of Work Approval and Agreement

4.1 This is formal approval of the agreed upon scope of the project and timeline for the implementation. It also indicates understanding and agreement with the formal change management process and escalation protocol previously defined and referenced.

## 5. Payment Terms

5.1 50% down payment upon acceptance and 50% upon completion, Including Applicable Sales Tax.

## 6. Terms

6.1 **LIMITATION OF LIABILITY; DISCLAIMER OF WARRANTIES: NOTWITHSTANDING ANYTHING TO THE CONTRARY IN THE AGREEMENT OR OTHERWISE, TO THE FULLEST EXTENT PERMITTED BY APPLICABLE LAW: (A) MC AUSTIN AND ITS PROVIDERS WILL NOT BE LIABLE FOR (1) ANY SPECIAL, INCIDENTAL, EXEMPLARY, PUNITIVE OR CONSEQUENTIAL DAMAGES, INCLUDING WITHOUT LIMITATION, LOSS OF PROFITS, BUSINESS OR GOODWILL, DATA LOSS, COMPUTER OR SYSTEM FAILURE OR MALFUNCTION OR WORK STOPPAGE OR (2) AGGREGATE DAMAGES OR LOSSES THAT EXCEED THE TOTAL AMOUNT PAID OR PAYABLE UNDER THE AGREEMENT OR THIS SOW FOR THE PRIOR SIX MONTHS; AND (B) EXCEPT AS EXPRESSLY SET FORTH IN THIS SOW, THE SERVICES, PRODUCTS AND DELIVERABLES PROVIDED HEREUNDER ARE "AS IS" AND WITHOUT ANY ADDITIONAL WARRANTIES, WHETHER IMPLIED, EXPRESS OR STATUTORY, INCLUDING, WITHOUT LIMITATION, WARRANTIES OF NON-INFRINGEMENT OR ERROR-FREE OR UNINTERRUPTED USE.**

Customer

MC Austin

\_\_\_\_\_  
(Signature of Authorized Agent)

\_\_\_\_\_  
(Signature of Authorized Agent)

\_\_\_\_\_  
(Printed Name of Authorized Agent)

Anthony Moreno  
(Printed Name of Authorized Agent)

\_\_\_\_\_  
(Title)

President  
(Title)

\_\_\_\_\_  
(Date)

\_\_\_\_\_  
(Date)

## 4K, PANORAMIC 180°, WDR, IR, STARVIEW BULLET



Multi-Sensor StarView Bullet

(Wall Mount Not Included)

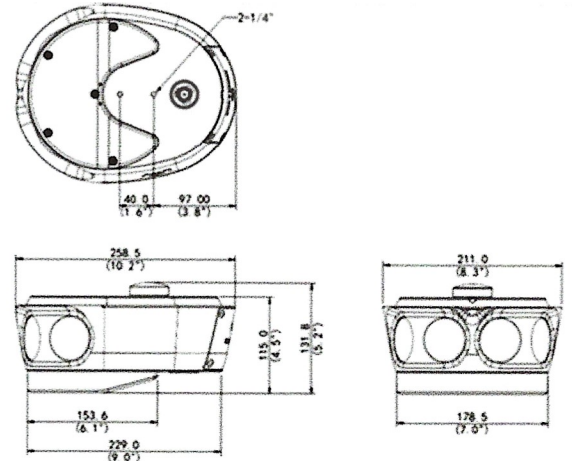
### IPBP4K180

- > 4 x CMOS Sensors with 4.2mm fixed lenses, provides 180° panoramic view
- > StarView illumination technology provides crisp color image up to 0.001 Lux (F1.8)
- > Exceptional Video Quality with 4K (8MP), 4096 x 1800 Resolution @ 30fps
- > Super-Efficient H.265 Video Compression for Drastically Reduced Bandwidth and Storage Requirements
- > Powerful, Smart IR LED Lights for 0Lux Night Time Operation up to 164 Feet
- > TRUE Day/Night and WDR functionality for all Lighting Conditions
- > Two-way Audio, Backlight Compensation and 3D DNR (Digital Noise Reduction)
- > Triple Video Streams; ONVIF Profile S Compliant
- > Powerful Video Analytics such as Behavior, Exception, Identification and Statistical
- > Built-in Micro-SD Card Slot enables local storage up to 256GB and Automatic Network Replenishment (ANR)
- > IP67 Weather Resistant Housing
- > Optional Mounts Available (Wall mount shown above not included)
- > 24VDC / 24VAC Power Options
- > Supported by uniview tec Guard Station Software and Guard Viewer Mobile App's for iPhone and Android Devices

## Specifications

Camera	
Sensor	1/1.8", progressive scan , 2 megapixel, CMOS x 4
Lens	4.2mm fixed lens x 4
Angle of View (H x V)	180° x 80°
Shutter	Auto/Manual, 1/6 ~ 1/100000 s
Minimum Illumination	Color: 0.001 Lux (F1.8, AGC ON); 0 Lux with IR
Day/Night	IR-cut filter with auto switch (ICR)
Digital noise reduction	2D/3D DNR
IR LED Range	Up to 50m (164ft) IR range
WDR	120dB
Video Compression	Ultra 265, H.265, H.264, MJPEG
Signal / Noise Ratio	>55dB
H.264 code profile	Baseline profile, Main Profile, High Profile
Maximum Frame Rate / Stream	Main Stream: 8MP (4096 × 1800): Max. 30 fps; Sub Stream: 1920 × 832: Max. 30 fps; Third Stream: 1280 × 560: Max. 30 fps
HLC, BLC, Defog	Supported
OSD, Privacy, Motion & ROI	Up to 8 areas
Network	
Protocols	IPv4, IGMP, ICMP, ARP, TCP, UDP, DHCP, PPPoE, RTP, RTSP, RTCP, DNS, DDNS, NTP, FTP, UPnP, HTTP, HTTPS, SMTP, 802.1x, SNMP
Network	RJ45: 1 x 100M/1000M Base-FX SFP + 2 x 10M/100M/1000M Base-TX Ethernet
Video Analytics	Behavior, Exception, Identification, Statistical
Compatible Integration	ONVIF (Profile S & G); API
Local & Network Storage	Micro-SD, up to 256GB; ANR
General	
Power	24VAC / 24VDC +/- 25%; Max 40W
Dimensions (L x W x H) & Weight	259 × 211 × 132mm (10.2 × 8.3 × 5.2"); 2.5kg (5.5lb)
Audio I/O & Compression	1 / 1; G711 compression
Alarm I/O	2 / 1
Operating Temperature & Humidity	-40°C ~ +70°C (-40°F ~ 158°F); Humidity: 10%~90% RH (non-condensing)
Conformity Certifications	IP67, CE, FCC

## Dimensions

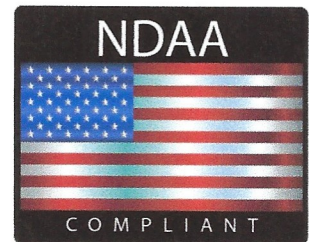


Wall Mount Not Included

## Accessories

See Camera Accessories Guide

## **5MP, IR, 4x, ACTIVE DETERRENCE MINI-PTZ DOME**



4x PTZ Dome

### **IPCSD54X**

- > Fully Adheres to National Defense Authorization Act (NDAA) Guidelines
- > Exceptional Video Quality with 5MP 2880 x 1620 Resolution, with Super-Efficient H.265 Video Compression for Drastically Reduced Bandwidth and Storage
- > LightHunter Technology for ultra-high image quality in low light applications and Smart IR LED Lights for 0 Lux Night Time Operation up to 164 Feet
- > 2.8 ~ 12mm, 4x Optical motorized zoom and automatic focus lens
- > TRUE Day/Night and Wide Dynamic Range Functionality for all Lighting Conditions
- > Two-way Audio, Backlight Compensation and 3D DNR (Digital Noise Reduction)
- > Pan / Tilt Speed up to 50°/sec with up to 256 Preset Positions
- > Triple Video Streams; ONVIF Profile S Compliant
- > Intelligent perimeter protection with Active Deterrence with Strobe Light and Audio Alarm
- > 12VDC / PoE Power Options and Built-in Micro-SD Card Slot enables up to 256GB storage
- > Supported by uniview tec Guard Station Software and Guard Viewer Mobile App's for iPhone and Android Devices

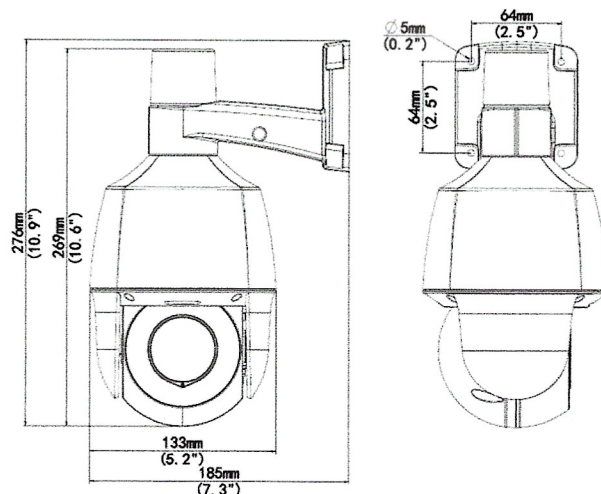
# IPCSD54X 4x PTZ Dome

# IP CAMERAS

## Specifications

Camera	
Sensor	1/2.7", progressive scan , 5 megapixel CMOS
Lens	2.8 ~ 12mm, automatic focusing and motorized zoom lens
Angle of View (H x V)	30.6° ~ 104.1° x 17.4° ~ 54.9°(wide ~ tele)
Shutter	Auto/Manual, 1 ~ 1/100000 s
Minimum Illumination	Color: 0.003 Lux (F1.6, AGC ON); 0 Lux with IR
Day/Night	IR-cut filter with auto switch (ICR)
Digital noise reduction	2D/3D DNR
IR LED Range / Wavelength	Up to 50m (164ft) IR range / 850nm
WDR	120dB
Video Compression	Ultra 265, H.265, H.264, MJPEG
Maximum Frame Rate / Stream	Main Stream: 5MP (2880 x 1620) @ 30fps Sub Stream: 720P (1280 x 720) @ 30fps Third Stream: D1 (720 x 576) @ 30fps
HLC, BLC, Flip	Supported
OSD, Privacy Mask, Motion Detection & ROI	Up to 8 areas
Pan and Tilt Speed; Presets	0°~345° Pan, 50°/s max speed; -10° ~ 110° Tilt, 40°/s max speed; 256 presets
Network	
Protocols	IPv4, IGMP, ICMP, ARP, TCP, UDP, DHCP , PPPoE, RTP, RTSP, RTCP, DNS, DDNS, NTP, FTP, UPnP, HTTP, HTTPS, SMTP , 802.1x , SNMP, SSL
Compatible Integration	ONVIF Profile S, API
Network	RJ45, 10M/100M Base-TX Ethernet
Intelligent Perimeter Protection	Cross Line, Intrusion, Enter Area, Leave Area detection; Motion detection
Local & Network Storage	Micro-SD, up to 256GB; Automatic Network Replenishment (ANR)
General	
Power	12VDC +/- 25%, PoE (IEEE802.3 af); Max 18W
Dimensions (∅ x H) & Weight	∅133 x 269.4mm (∅5.2 x 10.6"); 1.13kg (2.49lb)
Audio I/O & Compression	1 / 1 w/ built-in Mic & Speaker; G.711U and G.711A
Operating Temperature & Humidity	-20°C ~ +60°C (-4°F ~ 140°F); Humidity: 10%~ 95% RH (non-condensing)
Conformity Certifications	IP66, CE, FCC

## Dimensions



## Accessories

See Camera Accessories Guide