

ABBREVIATIONS

- ACC. = ACCESS
- BWL. = BRACED WALL LINE
- BWP. = BRACED WALL PANEL
- C.O. = CASSED OPENING
- C.J. = CEILING JOIST
- CLOS. = CLOSET
- COL. = COLUMN
- COMP. = COMPOSITION
- CONC. = CONCRETE
- CONT. = CONTINUOUS
- C.M.A. = CARBON MONOXIDE ALARM
- C.M.U. = CONCRETE MASONRY UNIT
- D.H. = DOUBLE HUNG
- DIA. = DIAMETER
- D.J. = DOUBLE JOIST
- DN. = DOWN
- EXH. = EXHAUST
- EXT. = EXTERIOR
- FL. J. = FLOOR JOIST
- FTG. = FOOTING
- G.F.I. = GROUND FAULT INTERRUPTER
- H.B. = HOSE BIB
- LVL. = LAMINATED VENEER LUMBER
- M.O. = MASONRY OPENING
- MAS. = MASONRY
- MAX. = MAXIMUM
- M.C. = MEDICINE CABINET
- MTL. = METAL
- MIN. = MINIMUM
- O.C. = ON CENTER
- OSB. = ORIENTED STRAND BOARD
- PERF. = PERFORATED
- REC. = RECESSED
- REINF. = REINFORCED
- SCR. = SCREENED
- S.D. = SMOKE DETECTOR
- SEC. = SECOND
- SHWR. = SHOWER
- S.Y.P. = SOUTHERN YELLOW PINE
- S.P.F. = SPRUCE/PINE/FIR
- SUSP. = SUSPENDED
- TYP. = TYPICAL
- U.O.N. = UNLESS OTHERWISE NOTED
- WASH. = WASHER
- W.H. = WATER HEATER
- W.P. = WEATHER PROOF
- W.W.M. = WELDED WIRE MESH
- WDW. HT. = WINDOW HEIGHT
- WD. = WOOD

SYMBOLS

- = HOSE BIB
- s = SWITCH
- S₃ = 3-WAY SWITCH
- ⊙ = LIGHT FIXTURE
- ⊠ = EXHAUST FAN & LIGHT
- ⊠ = SMOKE DETECTOR
- ◁ = SHOWER HEAD
- ◀ = TELEPHONE JACK
- ⊕ = CONVENIENCE OUTLET
- ⊙ = 220 VOLT OUTLET
- = GROUND FAULT INTERRUPTER
- ⊗ = CEILING FAN
- Ⓢ = CARBON MONOXIDE ALARM

GENERAL NOTES AND SPECIFICATIONS

COPYRIGHT

THIS PLAN IS PROTECTED UNDER THE FEDERAL COPYRIGHT ACT. REPRODUCTION IN WHOLE OR IN PART, INCLUDING DIRECT COPYING AND/OR PREPARATION OF DERIVATIVE WORKS, FOR ANY REASON WITHOUT THE PRIOR WRITTEN CONSENT FROM STANDARD HOMES PLAN SERVICE, INC. IS STRICTLY PROHIBITED.

ORIGINAL PURCHASE AGREEMENT

SEE ATTACHED STANDARD HOMES CONSTRUCTION LICENSE FOR FAMILYHOMEPLANS INVOICE #20181115095832 FOR JOSH HARO.

BUILDING CODE INFORMATION

THIS PLAN HAS BEEN DRAWN TO CONFORM TO THE NORTH CAROLINA RESIDENTIAL CODE, 2012 EDITION (2009 INTERNATIONAL RESIDENTIAL CODE FOR ONE- AND TWO-FAMILY DWELLINGS, CURRENT EDITION) WITH AMENDMENTS UNLESS OTHERWISE NOTED. (SEE ATTACHMENTS)

PRIOR TO CONSTRUCTION

THE CONTRACTOR SHALL REVIEW THE PLAN(S) FOR THIS PARTICULAR BUILDING PROJECT TO ENSURE COMPLIANCE WITH ALL NATIONAL, STATE AND LOCAL CODES, CLIMATIC, GEOGRAPHIC DESIGN CRITERIA, AND ANY OTHER PROVISIONS THAT MAY BE REQUIRED BY VA/FHA/RD.

THE CONTRACTOR SHALL VERIFY PLAN DIMENSIONS, STRUCTURAL COMPONENTS, AND GENERAL SPECIFICATIONS CONTAINED IN THIS SET OF PLANS AND REPORT ANY DISCREPANCIES TO STANDARD HOMES PLAN SERVICE, INC. FOR JUSTIFICATION OR CORRECTION BEFORE PROCEEDING WITH WORK ON HOUSE.

THE CONTRACTOR SHALL DETERMINE ROUGH OPENING SIZES FOR ALL BUILT-IN EQUIPMENT AND/OR FACILITIES AND ADJUST PLAN DIMENSIONS AS REQUIRED.

DO NOT SCALE FROM BLUEPRINTS. REFER TO THE LABELED DIMENSIONS FOR ACTUAL MEASUREMENTS.

IT SHALL BE THE RESPONSIBILITY OF THE OWNER/BUILDER TO PROVIDE FOR THE SERVICES OF A PROFESSIONAL ENGINEER IF REQUIRED BY THE BUILDING CODE OFFICIAL.

SHIPPING DATE : _____

STAMP MUST APPEAR IN RED. PLANS FOR WHICH A BUILDING PERMIT HAS NOT BEEN OBTAINED ONE YEAR FROM THE ABOVE DATE IS SUBJECT TO REVIEW BY STANDARD HOMES PLAN SERVICE, INC. A FEE MAY BE CHARGED FOR THIS SERVICE.

EXCAVATION

EXCAVATE TO UNDISTURBED SOIL. BOTTOM OF FOOTING SHALL EXTEND BELOW LOCAL FROST LINE AND TO A MINIMUM DEPTH OF 12" BELOW ADJACENT GRADE. (PRESUMED 2000 PSF SOIL BEARING CAPACITY).

EXPANSIVE, COMPRESSIVE OR SHIFTING SOILS SHALL BE REMOVED TO A DEPTH AND WIDTH SUFFICIENT TO ASSUME A STABLE MOISTURE CONTENT IN EACH ACTIVE ZONE.

FOUNDATION

PROVIDE 1/2" DIA. STEEL ANCHOR BOLTS 6'-0" O.C., 1'-0" MAX. FROM CORNERS AND 1'-0" MAX. FROM ENDS OF EACH PLATE SECTION, WITH 7" MIN. EMBEDMENT.

PROVIDE FOUNDATION WATERPROOFING AND DRAIN WITH POSITIVE SLOPE TO OUTLET AS REQUIRED BY SITE CONDITIONS.

SLOPE GRADE AWAY FROM FOUNDATION WALLS 6" MINIMUM WITHIN THE FIRST 10 FEET.

PROVIDE PRESSURE TREATED LUMBER FOR SILLS, PLATES, BANDS AND ANY LUMBER IN CONTACT WITH MASONRY.

PROVIDE APPROVED AND BONDED CHEMICAL SOIL TREATMENT AGAINST FUNGUS, TERMITES AND OTHER HARMFUL INSECTS.

CRAWL SPACE

ALL GIRDER JOINTS AND ENDS OF GIRDERS SHALL REST ON SOLID BEARINGS. FILL CORES OF HOLLOW MASONRY TO FOOTING WITH CONCRETE. FILL TOP COURSE CORES OF EXTERIOR FOUNDATION WALL WITH CONCRETE.

FOOTINGS SHALL EXTEND 6" AND SHALL BE 12" THICK UNDER GIRDER PIERS.

CHIMNEY FOOTING SHALL EXTEND 12" MINIMUM BEYOND EACH SIDE AND SHALL BE AT LEAST 12" THICK.

BASEMENT

ALL GIRDER JOINTS SHALL BREAK ON COLUMN CENTER LINES (STAGGERED) AND ENDS OF GIRDERS SHALL REST ON SOLID MASONRY.

DOUBLE SILL AND USE LEDGER OVER ALL BASEMENT OPENINGS.

ALL BASE. SASH SHALL BE 18/20 2-LT. 3'-3 7/8" X 1'-11 15/16" 3420 HB.

FRAMING

ALL FLOOR JOISTS, CEILING JOISTS, RAFTERS, GIRDERS, HEADERS, SILLS AND BEAMS SHALL BE NO. 2 SPRUCE/PINE/FIR (S.P.F.) UNLESS OTHERWISE INDICATED.

ALL LOAD BEARING WALLS SHALL BE STUD GRADE SPRUCE/PINE/FIR (S.P.F.) UNLESS OTHERWISE INDICATED.

DESIGN SPECIFICATIONS FOR LAMINATED VENEER LUMBER (LVL)

BEAMS AND HEADERS : GRADE : 2950fb-2.0E
BENDING Fb : 2950
MOE : 2.0 x 10⁶
SHEAR Fv : 290

MISCELLANEOUS

LOCATE ALL CONVENIENCE OUTLETS ABOVE KITCHEN BASE CABINETS 42" ABOVE FINISHED FLOOR.

EMERGENCY EGRESS REQUIREMENTS

IT SHALL BE THE RESPONSIBILITY OF THE OWNER/BUILDER TO VERIFY CONFORMITY WITH EGRESS REQUIREMENTS BASED ON SPECIFICATIONS PROVIDED BY WINDOW MANUFACTURER.

2012 NORTH CAROLINA RESIDENTIAL CODE
THE REQUIRED EGRESS WINDOW FROM EVERY SLEEPING ROOM SHALL HAVE A SILL HEIGHT OF NOT MORE THAN 44 INCHES ABOVE FINISHED FLOOR. THE NET CLEAR OPENING SHALL NOT BE LESS THAN 4.0 SQUARE FEET WHERE THE NET CLEAR OPENING HEIGHT SHALL BE AT LEAST 22 INCHES AND THE NET CLEAR OPENING WIDTH SHALL BE AT LEAST 20 INCHES. IN ADDITION THE MINIMUM TOTAL GLASS AREA SHALL NOT BE LESS THAN 5.0 SQUARE FEET IN THE CASE OF A GROUND STORY WINDOW AND NOT LESS THAN 5.7 SQUARE FEET IN THE CASE OF A SECOND STORY WINDOW.

2009 INTERNATIONAL RESIDENTIAL CODE
THE REQUIRED EGRESS WINDOW FROM EVERY SLEEPING ROOM SHALL HAVE A SILL HEIGHT OF NOT MORE THAN 44 INCHES ABOVE FINISHED FLOOR. ALL EMERGENCY ESCAPE AND RESCUE OPENINGS SHALL HAVE A MINIMUM NET CLEAR OPENING OF 5.7 SQUARE FEET EXCEPT GRADE FLOOR OPENINGS SHALL HAVE A MINIMUM NET OPENING OF 5 SQUARE FEET. THE MINIMUM NET CLEAR OPENING HEIGHT SHALL BE 24 INCHES. THE MINIMUM NET CLEAR OPENING WIDTH SHALL BE 20 INCHES

CLIMATIC AND GEOGRAPHICAL DESIGN CRITERIA

ROOF LIVE LOAD (POUNDS PER SQUARE FOOT) : 20 PSF
BASIC WIND SPEED (MILES PER HOUR) : 100 MPH (3-SECOND GUST), EQUIVALENT TO 80 MPH (FASTEST MILE)

EXPOSURE CATEGORY "B" UNLESS OTHERWISE NOTED
WINDOW DESIGN PRESSURE RATING : DP 25
COMPONENT AND CLADDING LOADS FOR THE FOLLOWING MEAN ROOF HEIGHTS:

ASSUMED ZONE	0'-0" TO 30'-0"	30'-1" TO 35'-0"	35'-1" TO 40'-0"	40'-1" TO 45'-0"
ZONE 1	16.5, -18.0	17.3, -18.9	18.0, -19.6	18.5, -20.2
ZONE 2	16.5, -21.0	17.3, -22.1	18.0, -22.9	18.5, -23.5
ZONE 3	16.5, -21.0	17.3, -22.1	18.0, -22.9	18.5, -23.5
ZONE 4	18.0, -19.5	18.9, -20.5	19.6, -21.3	20.2, -21.8
ZONE 5	18.0, -24.1	18.9, -25.3	19.6, -26.3	20.2, -27.0

ASSUMED MEAN ROOF HEIGHT: 12'-0"

SEISMIC CONDITION BY ZONE : ZONES A, B, AND C

SUBJECT TO DAMAGE FROM WEATHERING : MODERATE

CLIMATE ZONES (UNLESS OTHERWISE NOTED): ZONE 4

MINIMUM VALUES FOR ENERGY COMPLIANCE:
CEILING R-38; EXTERIOR WALLS R-15; SLAB R-10
WINDOW U-FACTOR ≤ 0.35; RECOMMENDED SHGC ≤ 0.30

FLOATING SLAB
REVISED 01-04-17



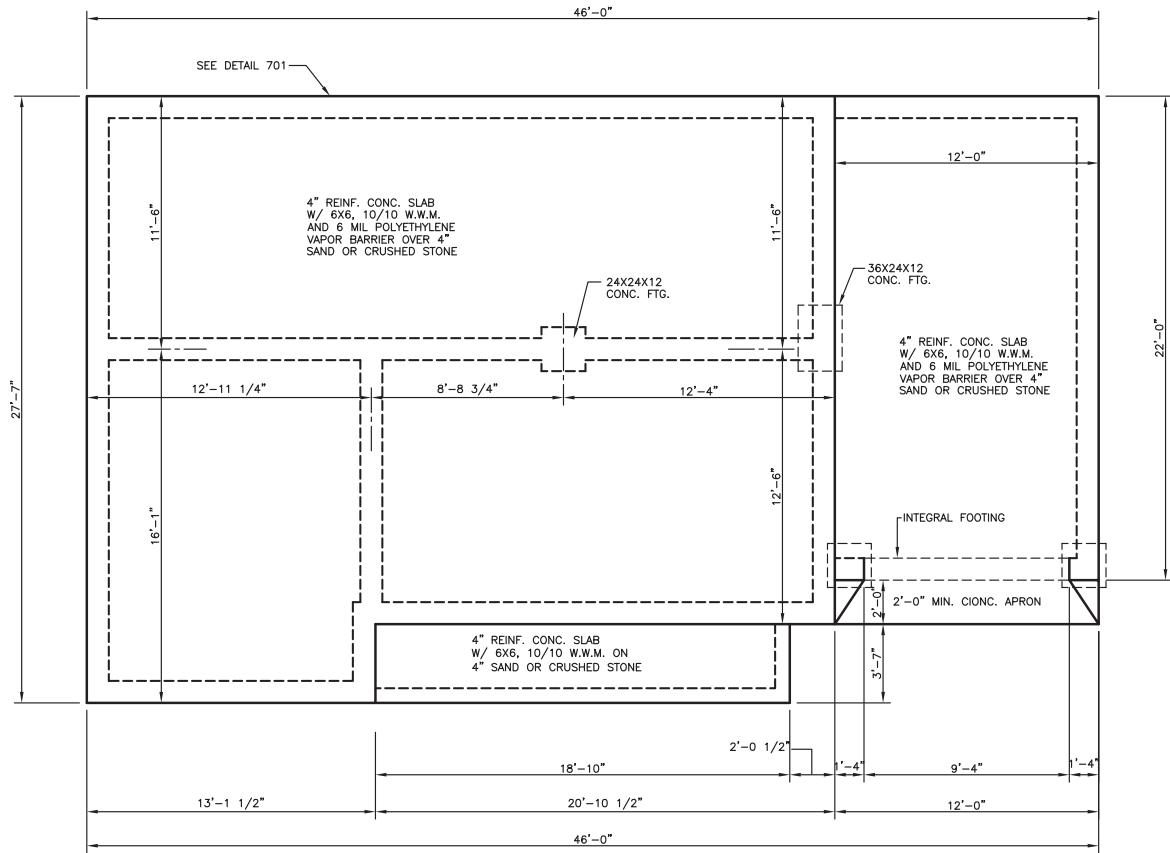
Standard Homes Plan Service, Inc.

7200 SUNSET LAKE ROAD FUQUAY-VARINA, NC 27526 (919)552-5677

SEE HOME DESIGN PREVIEWS ONLINE AT WWW.STANDARHHOMES.COM



DESIGNED FOR	PLAN	NO.	MAT'L.	SHOWN	SHEET
	FARROW	2	SID.		1 OF 7



FOUNDATION PLAN
SCALE 1/4" = 1'-0"

FLOATING SLAB
REVISED 01-04-17



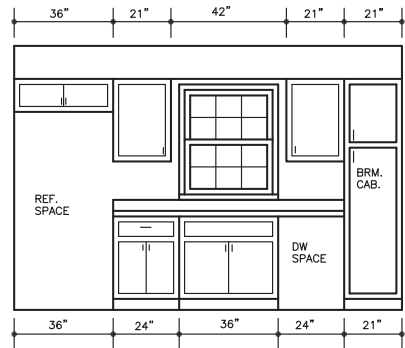
Standard Homes Plan Service, Inc.

7200 SUNSET LAKE ROAD FUQUAY-VARINA, NC 27526 (919)552-5677

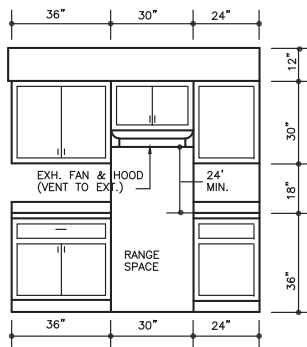
SEE HOME DESIGN PREVIEWS ONLINE AT WWW.STANDARDHOMES.COM



DESIGNED FOR	PLAN	NO.	MAT'L.	SHOWN	SHEET
	FARROW	2	SID.		2 of 7

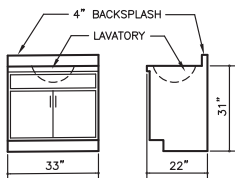


SINK SIDE



RANGE SIDE

VANITY DETAILS
SCALE : 3/8"=1'-0"



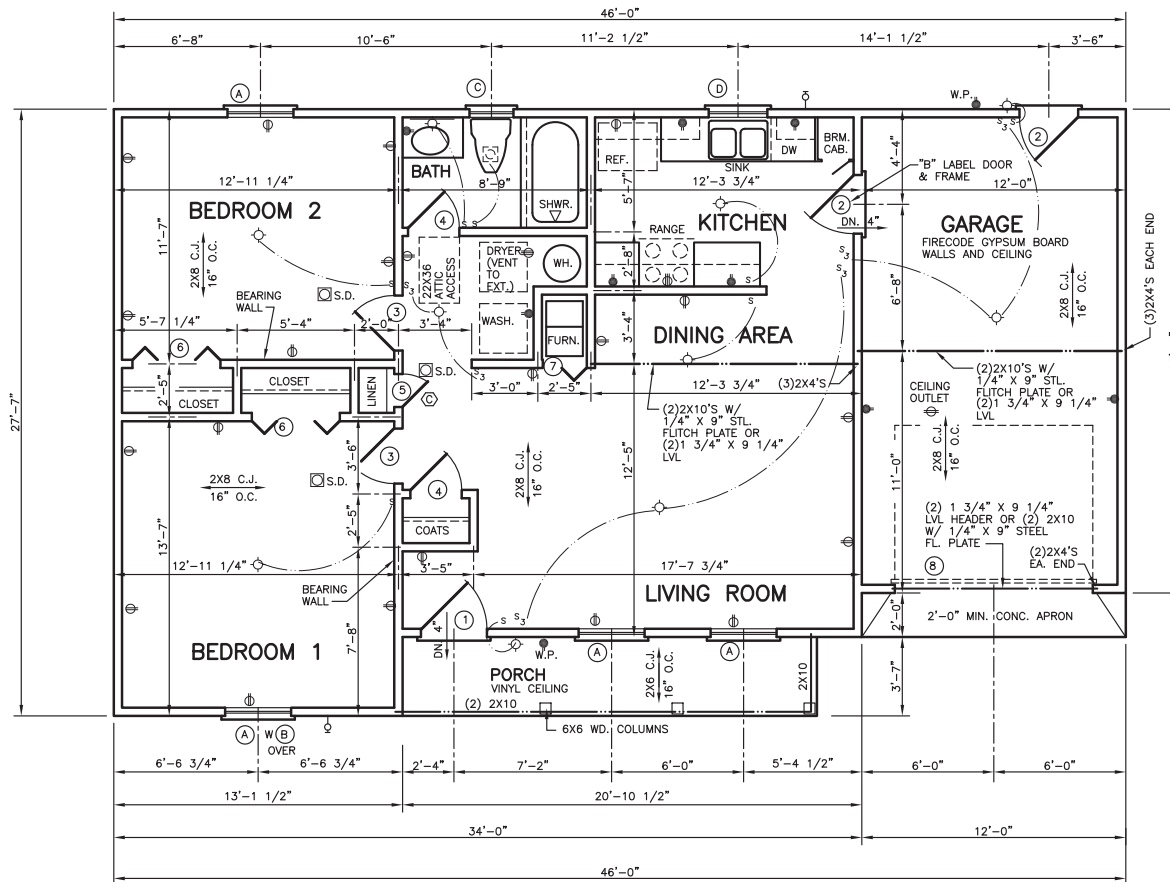
BATH

SECT.

KITCHEN CABINET
ELEVATIONS

SCALE : 3/8"=1'-0"

FOR SECTION THRU CABINETS,
SEE DETAIL ON COVER SHEET.



863 SQ. FT. HEATED AREA IN SIDING
264 SQ. FT. GARAGE
67 SQ. FT. PORCH

FLOOR PLAN

SCALE 1/4" = 1'-0"

FLOATING SLAB
REVISED 01-04-17

WINDOW SCHEDULE

A	3'-0" X 4'-6" WD. D.H.	D	2'-8" X 3'-2" WD. D.H.	G		L	
B	3'-0" BASE ROUND TOP	E		H		M	
C	2'-0" X 3'-2" WD. D.H.	F		K		N	

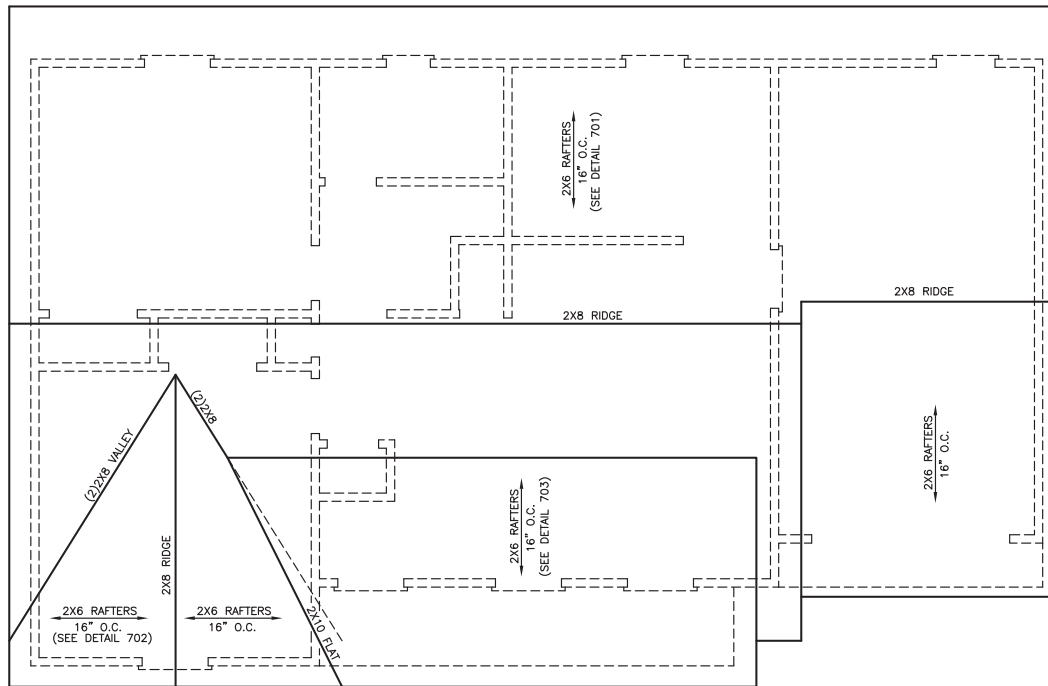
DOOR SCHEDULE

1	3'-0" X 6'-8" X 1 3/4"	4	2'-4" X 6'-8" X 1 3/8"	7	LOUVERED BIFOLD 2'-0" X 6'-8" X 1 3/8"	10	
2	2'-8" X 6'-8" X 1 3/4"	5	1'-6" X 6'-8" X 1 3/8"	8	GARAGE DOOR 9'-0" X 7'-0"	11	
3	2'-6" X 6'-8" X 1 3/8"	6	BIFOLD 4'-0" X 6'-8" X 1 3/8"	9		12	

Standard Homes Plan Service, Inc.

7200 SUNSET LAKE ROAD FUQUAY-VARINA, N.C. 27526 (919)552-5677

DESIGNED FOR	SHEET
PLAN	3 OF 7
FARROW	NO. 2
MATERIAL	SID.



ROOF PLAN
SCALE 1/4" = 1'-0"

ATTIC VENTILATION REQUIREMENTS :
1194 SQ. FT. --> 150 = 7.9 SQ. FT. NET
FREE AREA REQUIRED

FLOATING SLAB
REVISED 01-04-17



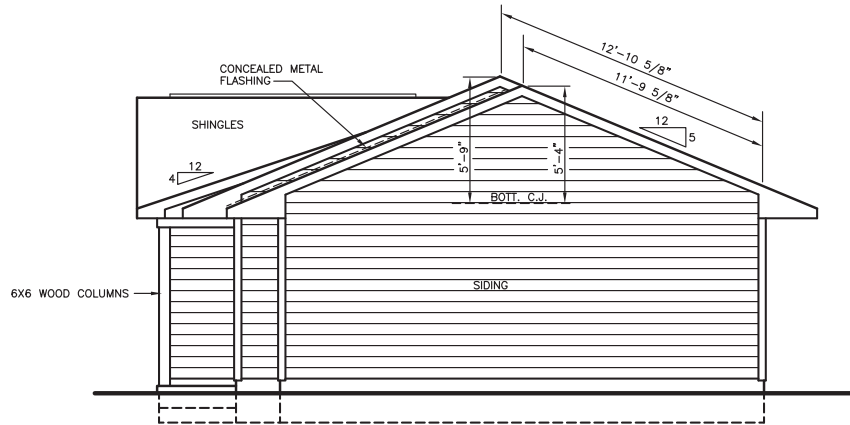
Standard Homes Plan Service, Inc.

7200 SUNSET LAKE ROAD FUQUAY-VARINA, NC 27526 (919)552-5677

SEE HOME DESIGN PREVIEWS ONLINE AT WWW.STANDARDHOMES.COM

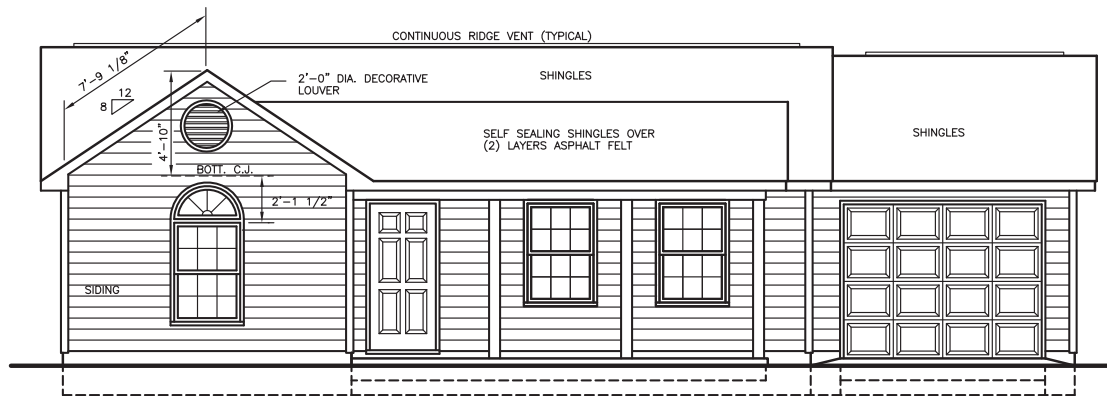


DESIGNED FOR	PLAN	NO.	MAT'L.	SHOWN	SHEET
	FARROW	2	SID.		4 of 7



GARAGE SIDE ELEVATION
SCALE 1/4" = 1'-0"

PROVIDE GUTTERS, DOWNSPOUTS AND SPLASHPADS ACCORDING TO LOCAL CODE AND RAINFALL CONDITIONS.
ALL SPLASHPADS SHALL CARRY WATER 60" FROM BUILDING.



FRONT ELEVATION
SCALE 1/4" = 1'-0"

FLOATING SLAB
REVISED 01-04-17

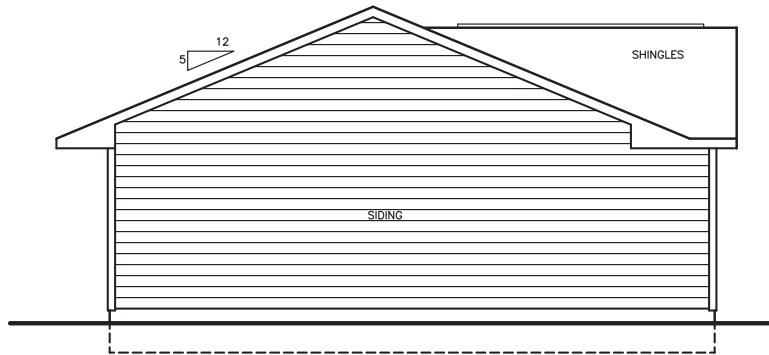


Standard Homes Plan Service, Inc.

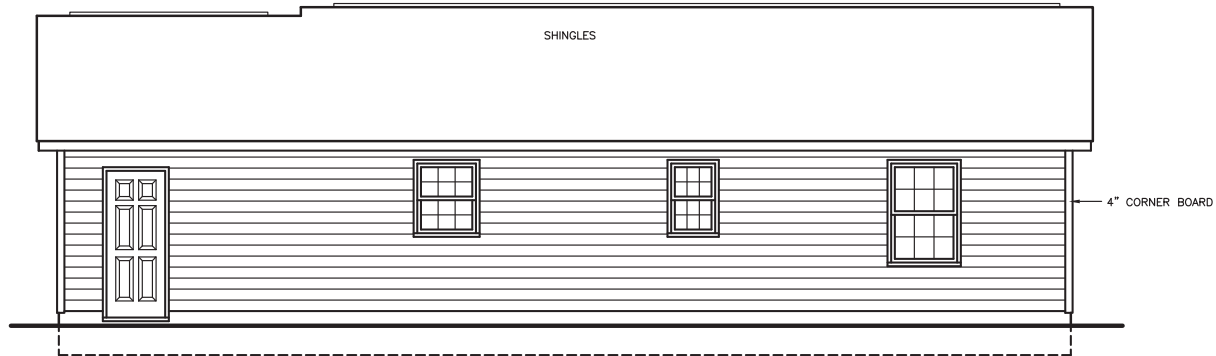
7200 SUNSET LAKE ROAD FUQUAY-VARINA, NC 27526 (919)552-5677
SEE HOME DESIGN PREVIEWS ONLINE AT WWW.STANDARDHOMES.COM



DESIGNED FOR	PLAN	NO.	MAT'L.	SHOWN	SHEET
	FARROW	2	SID.		5 of 7



BEDROOM SIDE ELEVATION



REAR ELEVATION
SCALE 1/4" = 1'-0"

FLOATING SLAB
REVISED 01-04-17



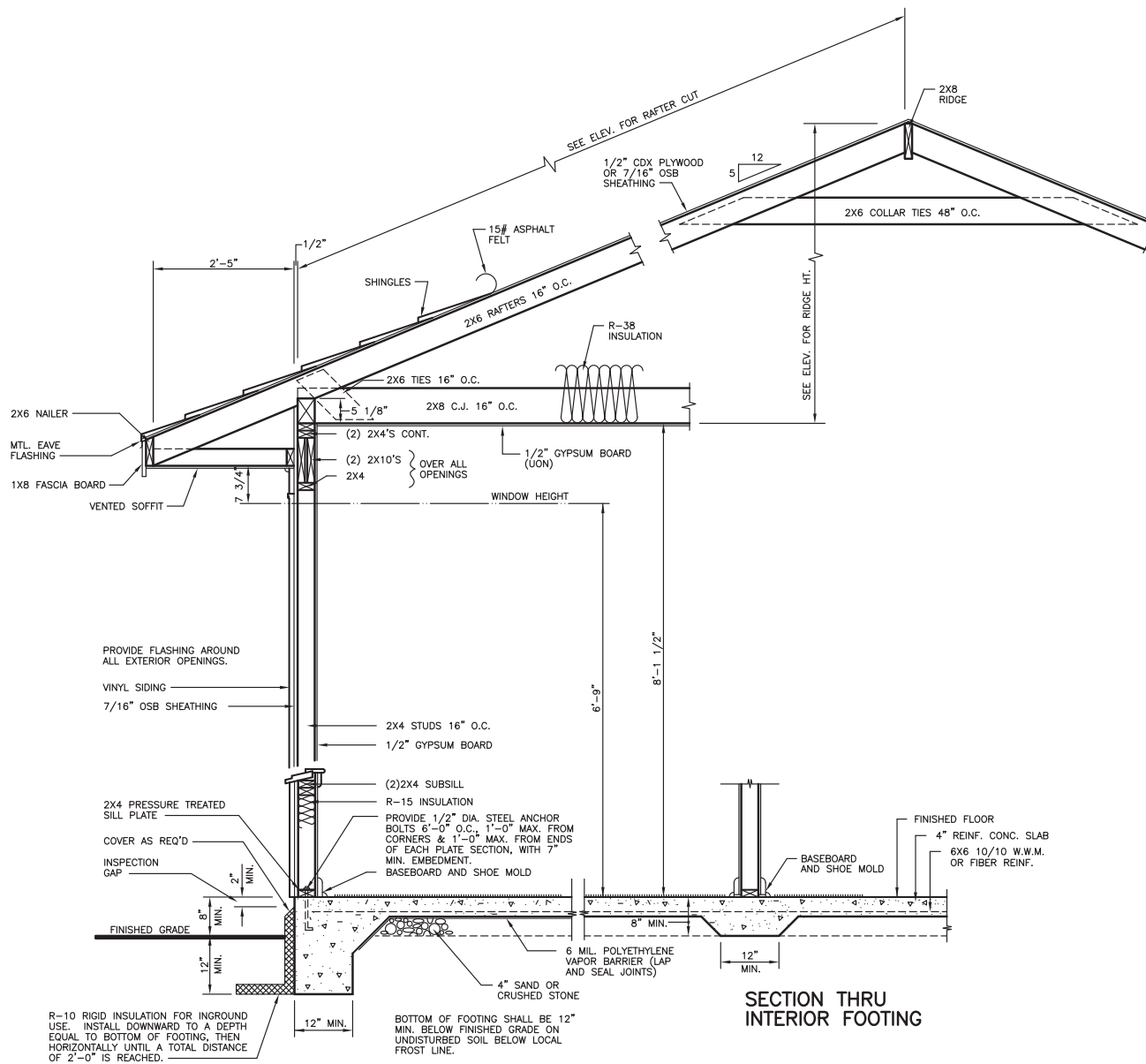
Standard Homes Plan Service, Inc.

7200 SUNSET LAKE ROAD FUQUAY-VARINA, NC 27526 (919)552-5677

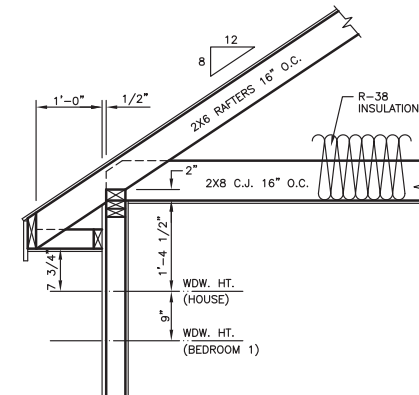
SEE HOME DESIGN PREVIEWS ONLINE AT WWW.STANDARDHOMES.COM



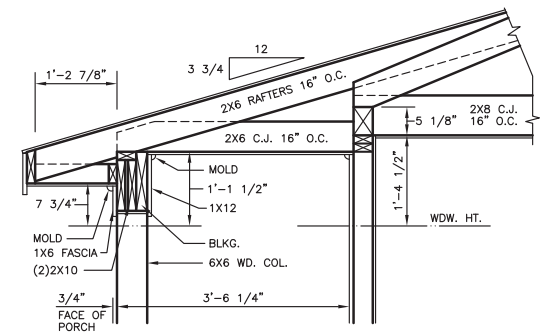
DESIGNED FOR	PLAN	NO.	MAT'L.	SHOWN	SHEET
	FARROW	2	SID.		6 of 7



701 TYPICAL WALL SECTION
SCALE : 3/4" = 1'-0"



702 SECT. THRU FRONT GABLE
SCALE : 3/4" = 1'-0"



703 SECT. THRU FRONT PORCH
SCALE : 3/4" = 1'-0"

SECTION THRU INTERIOR FOOTING

FLOATING SLAB
REVISED 01-04-17

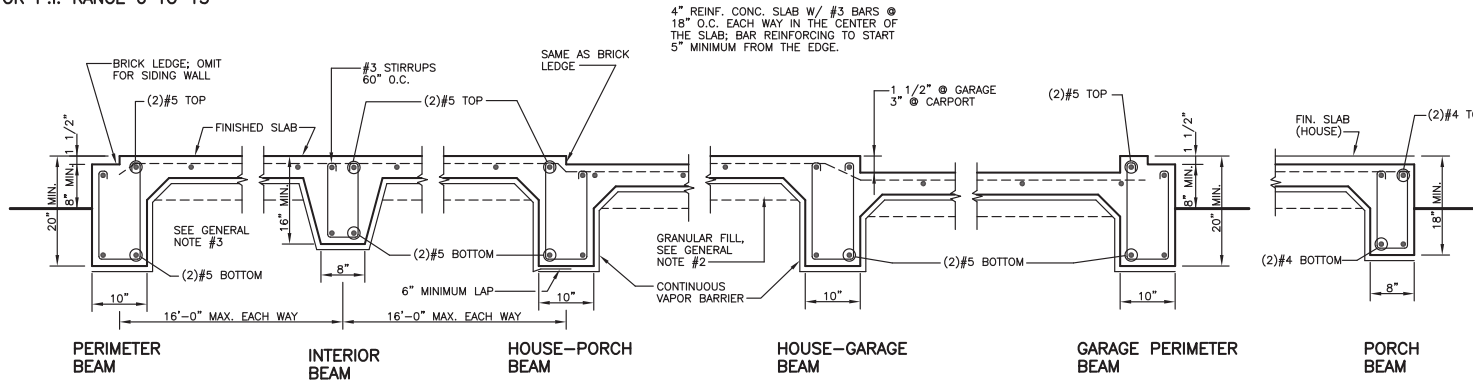
Standard Homes Plan Service, Inc.

7200 SUNSET LAKE ROAD FUQUAY-VARINA, NC 27526 (919)552-5677

SEE HOME DESIGN PREVIEWS ONLINE AT WWW.STANDARHHOMES.COM

DESIGNED FOR	PLAN	NO.	MAT'L.	SHOWN	SHEET
	FARROW	2	SID.		7 of 7

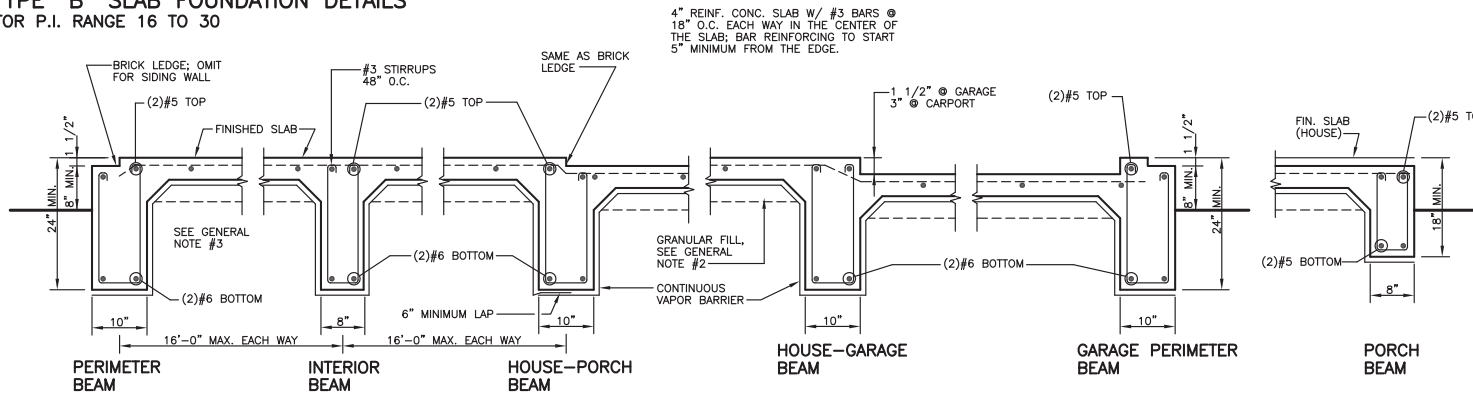
TYPE "A" SLAB FOUNDATION DETAILS
FOR P.I. RANGE 0 TO 15



GENERAL NOTES

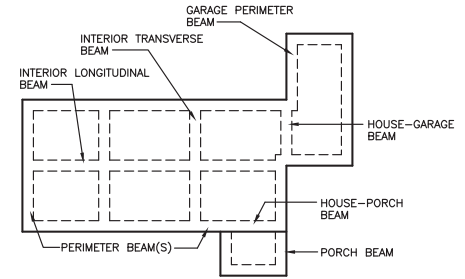
1. REMOVE EXPANSIVE SOILS TO A DEPTH AND WIDTH SUFFICIENT TO ASSURE STABLE CONDITIONS. REPLACE REMOVED SOIL WITH STABLE FILL OR STABILIZED FILL. EXCAVATED FILL MAY BE STABILIZED BY CHEMICAL TREATMENT, DE-WATERING AND COMPACTION, OR WETTING AND COMPACTION.
2. USE SAND FILL; EXCEPT IN AREA WHERE HIGH WATER TABLE IS ENCOUNTERED—USE GRAVEL, CRUSHED STONE OR COMPARIABLE MATERIAL.
3. BOTTOMS OF ALL BEAMS SHALL EXTEND 6" MINIMUM INTO UNDISTURBED SOIL.
4. ALL CONCRETE SHALL HAVE A 28 DAY MINIMUM COMPRESSIVE STRENGTH OF 3000 P.S.I.
5. NO DEAD-END BEAMS ALLOWED.
6. ALL BEAM REINFORCING SHALL EXTEND TO WITHIN 1 1/2" OF EXTERIOR FORMS.
7. ALL REINFORCING TO BE CONTINUOUS.
8. BEAM REINFORCING SHALL BE TIED AND SUPPORTED EVERY 5'-0" MIN.
9. LAP ALL BAR REINFORCING 40 DIAMETERS.
10. PROVIDE CHAIRS OR OTHER SUITABLE SUPPORTS FOR SLABS.
11. GARAGE AND PORCH SLABS SHALL BE THE SAME AS HOUSE SLAB.
12. PLUMBING MAY CROSS BEAMS, BUT NOT BE PLACED IN BEAMS.
13. REINFORCE PORCH BEAMS WITH (4)#4 BARS.
14. ALL REINFORCING TO HAVE A MINIMUM OF 1 1/2" CONCRETE COVER.

TYPE "B" SLAB FOUNDATION DETAILS
FOR P.I. RANGE 16 TO 30



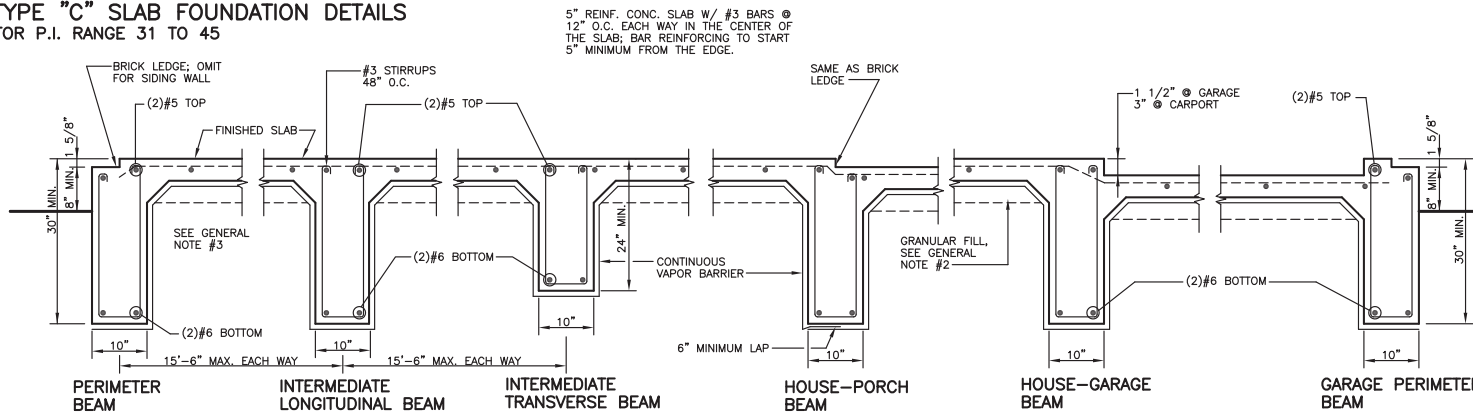
GENERAL NOTES

- SAME AS TYPE "A" SLAB EXCEPT AS FOLLOWS:
8. BEAM REINFORCING SHALL BE TIED AND SUPPORTED EVERY 4'-0" MIN.
 13. REINFORCE PORCH BEAMS WITH (4)#5 BARS.
 15. (3)#5 REBARS MAY BE SUBSTITUTED FOR (2)#6 REBARS.



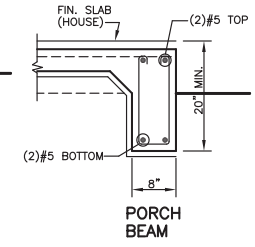
SCHEMATIC BEAM PLAN

TYPE "C" SLAB FOUNDATION DETAILS
FOR P.I. RANGE 31 TO 45



GENERAL NOTES

- SAME AS TYPE "A" SLAB EXCEPT AS FOLLOWS:
7. BEAM REINFORCING SHALL BE TIED AND SUPPORTED EVERY 4'-0" MIN.
 13. REINFORCE PORCH BEAMS WITH (4)#5 BARS.
 15. (3)#5 REBARS MAY BE SUBSTITUTED FOR (2)#6 REBARS.
 16. FOR HOUSE LENGTHS MORE THAN 50' AND UP TO 60' IN LENGTH, PROVIDE (3)#6 BARS IN BOTTOM, AND (2)#5 BARS IN TOP OF ALL LONGITUDINAL BEAMS.



PORCH BEAM



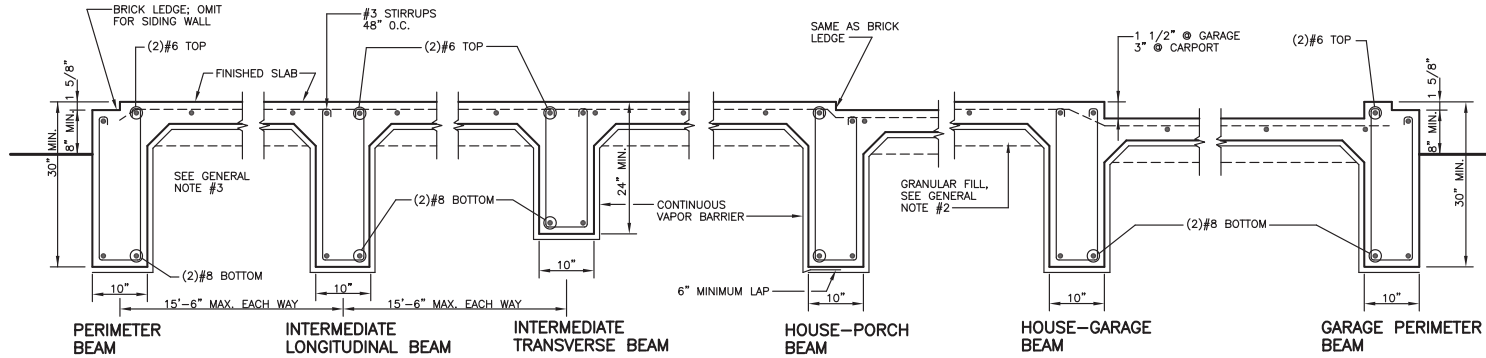
Standard Homes Plan Service, Inc.
7200 SUNSET LAKE ROAD FUQUAY-VARINA, NC 27526 (919)552-5677
SEE HOME DESIGN PREVIEWS ONLINE AT WWW.STANDARHOMES.COM



DESIGNED FOR	PLAN	NO.	MAT'L.	SHOWN	SHEET
CONC. SLAB FOUND. DETAILS (TEXAS)			700		1 OF 2

**TYPE "D" SLAB FOUNDATION DETAILS
FOR P.I. RANGE 46 TO 60**

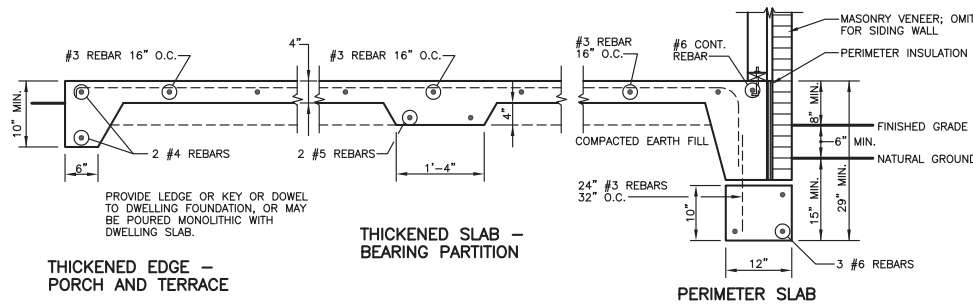
5" REINF. CONC. SLAB W/ #3 BARS @ 12" O.C. EACH WAY IN THE CENTER OF THE SLAB; BAR REINFORCING TO START 5" MINIMUM FROM THE EDGE.



GENERAL NOTES

- SAME AS TYPE "A" SLAB EXCEPT AS FOLLOWS:
7. BEAM REINFORCING SHALL BE TIED AND SUPPORTED EVERY 4'-0" MIN.
 13. REINFORCE PORCH BEAMS WITH (4)#6 BARS.
 15. (3)#5 REBARS MAY BE SUBSTITUTED FOR (2)#6 REBARS.
 16. FOR HOUSE LENGTHS MORE THAN 50' AND UP TO 60' IN LENGTH, PROVIDE (3)#7 BARS IN BOTTOM, AND (2)#6 BARS IN TOP OF ALL LONGITUDINAL BEAMS.

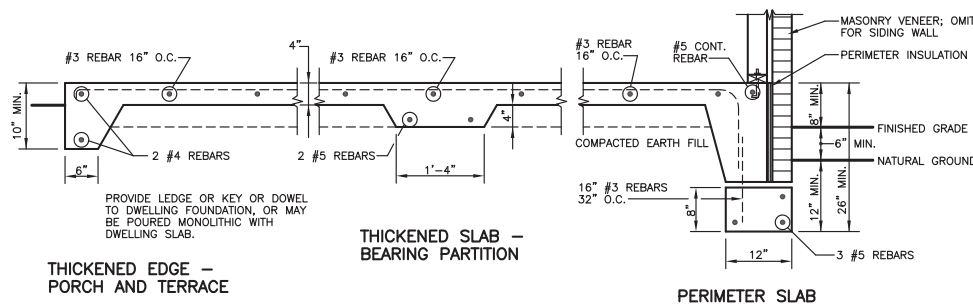
**AMARILLO AREA SLAB FOUNDATION DETAILS
TWO POUR SYSTEM**



GENERAL NOTES

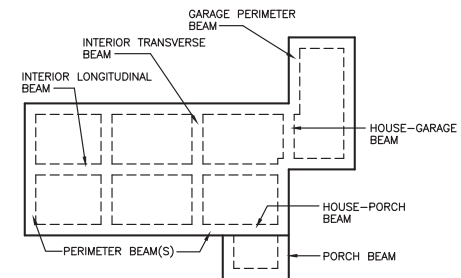
1. REMOVE EXPANSIVE SOILS TO A DEPTH AND WIDTH SUFFICIENT TO ASSURE STABLE CONDITIONS. REPLACE REMOVED SOIL WITH STABLE FILL OR STABILIZED FILL. EXCAVATED FILL MAY BE STABILIZED BY CHEMICAL TREATMENT, DE-WATERING AND COMPACTION, OR WETTING AND COMPACTION.
2. USE SAND FILL; EXCEPT IN AREA WHERE HIGH WATER TABLE IS ENCOUNTERED--USE GRAVEL, CRUSHED STONE OR COMPARABLE MATERIAL.
3. ALL PERIMETER BEAMS SHALL EXTEND 6" MINIMUM INTO UNDISTURBED SOIL.
4. ALL CONCRETE SHALL HAVE A 28 DAY MINIMUM COMPRESSIVE STRENGTH OF 3000 P.S.I.
5. NO DEAD-END BEAMS ALLOWED.
6. ALL BEAM REINFORCING SHALL EXTEND TO WITHIN 1 1/2" OF EXTERIOR FORMS.
7. ALL REINFORCING TO BE CONTINUOUS.
8. BEAM REINFORCING SHALL BE TIED AND SUPPORTED EVERY 4'-0" MIN.
9. LAP ALL BAR REINFORCING 40 DIAMETERS.
10. PROVIDE CHAIRS OR OTHER SUITABLE SUPPORTS FOR SLABS.
11. PLUMBING MAY CROSS BEAMS, BUT NOT BE PLACED IN BEAMS.
12. ALL REINFORCING TO HAVE A MINIMUM OF 1 1/2" CONCRETE COVER.

**LUBBOCK-MIDLAND-ODESSA AREA SLAB FOUNDATION DETAILS
TWO POUR SYSTEM**



GENERAL NOTES

SAME AS AMARILLO AREA SLAB NOTES



SCHEMATIC BEAM PLAN



Standard Homes Plan Service, Inc.

7200 SUNSET LAKE ROAD FUQUAY-VARINA, NC 27526 (919)552-5677

SEE HOME DESIGN PREVIEWS ONLINE AT WWW.STANDARHOMES.COM



DESIGNED FOR	PLAN	NO.	MAT'L.	SHOWN	SHEET
CONC. SLAB FOUND. DETAILS (TEXAS)			700		2 OF 2