



INSTALERT 24 VARIABLE MESSAGE SIGN

InstAlert 24 Variable Message Sign

- Open dimensions: 1.63" x 28" x 60"
- Folded dimensions: 3.25" x 28" x 30"
- Folded sign fits in vehicle trunk, SUV hatch
- Full matrix display: 26 x 96 pixels, 0.6"x 1" pitch
- LED pixels: Amber 590nm, 30-degree viewing angle, 100,000 hrs, black background, universal display modules
- MUTCD compliant
- On-board message selector buttons for quick selection of 25 internal messages and modes with anti-tamper lockout
- Local and remote management and monitoring options
- Integral active cell modem allowing TrafficCloud Web-Based Management Services for remote management
- Integral camera for awareness and alert-driven images
 - 640 x 480 daylight images
- Power saving circuitry and automatic dimming for ambient light conditions with adjustable dimming range and manual display brightness override
- Conformal coating on all circuit boards
- Integral case handles and nylon web handles
- Weight: 43 pounds
- Weatherproof, inherently sealed design
- 1/8" tinted, non-glare, UV stabilized polycarbonate face
- Entire face is removable for service
- Aluminum chassis, 12 ga., with black powder coat finish
- Mounting provisions for permanent applications, (12) 1/4-20 threaded holes
- -40 to 160°F operating temperature range, 95% humidity, non-condensing (-20°F for Bluetooth communication)
- Withstands up to 70-mph winds



INSTALERT 24 ON HITCH MOUNT



INSTALERT 24 ON POLE



INSTALERT 24 ON PORTABLE POST



INSTALERT 24 ON ATS 5 TRAILER

InstAlert Operation Modes

- **Message Mode:** Display one message, up to six screens
- **All Messages:** Sequence all messages in sign memory
- **Schedule:** Change message and/or mode up to 13 times/day
- Speed based modes available in the
- SpeedAlert 24 configuration
- Sign returns to last configuration when power applied

InstAlert Messages

- **1-3 line messages**
 - 1 line: 24" H x 12.5" W characters, 4/line
 - 2 lines: 10.25" H x 5.75" W characters, 8/line
 - 3 lines: 7" H x 4" W characters, 12 per line
 - 2 lines: (1) 7" char, 12/line, (1) 10.25" char, 8/line
- Up to six screens per message
- Message power efficiency calculator in software
- Variable display time, flash and reverse rates
- for each screen
- Full graphics capability, each LED is individually controllable, programmable from PC, PDA or remotely
- Ability to link multiple messages for up to
- 144 screen animation
- Scroll through 25 user defined on-board messages using selector buttons built into sign, no training necessary; buttons on unit become inactive after timeout to prevent tampering, reactivate by reapplying power
- Unlimited message storage on PC, Android device or remote server
- Messages on sign are not erased when power is removed
- Sign returns to last message when power applied
- Actual sign preview on PC, Android or TrafficCloud

InstAlert Programming

Program and monitor the sign three ways: On-Board Programming (standard on all units)

- Select message from sign's memory
- Select operation mode

TraffiCloud® Web-Based Management Services

Using integral cell modem for remote management

(See TraffiCloud specification for more information):

- Turnkey system with remote sign connection functional out of the box. Unit connects to TraffiCloud system when sign is powered
- Fully hosted web-based management system
 - Internet-connected computer with browser provides anywhere access on all browser-capable, connected devices.
 - No IT involvement or support necessary. System bypasses customer network eliminating access issues
 - Cellular service provided by ATS, no separate cellular charges
 - Hosted database requires no setup or maintenance by customer
- **Apps:** All apps included in Message Suite:
 - Equipment Management: Change messages and settings remotely, monitor sign online
 - Image Management: Online image retrieval and management of images from internal camera
- **Alerts:** Email/SMS notifications for low battery and tampering, alerts can include images
- **Mapping:** Visually manage equipment and data
- Premier Care Perpetual Warranty

ATS PC Sign Manager

Local Management using PC with USB connection standard on all signs

- PC-based client software
- Connect to sign via USB or Bluetooth (optional) ATS

Android App: Local management (optional):

- Android OS wireless Bluetooth control local to unit
- Android device can be phone or WiFi device with Bluetooth

Local Management Features:

- Create and change messages, modes and settings
- Local image retrieval and management from internal camera
- Manage all unit settings, automatic sync with TraffiCloud Web Based Management
- All traffic data and messages can be saved for online management and backup with optional TraffiCloud Message Suite
 - Create message and save to TraffiCloud library, messages available on all ATS Android App or PC Sign Manager devices
- Sign firmware field and remotely upgradeable

InstAlert Settings

- Configure the following parameters via PC, Android or TraffiCloud Web-Based Management System:
 - Load message using "Display Now" feature
 - Load 24 messages into sign's memory
 - Scroll messages in sign's memory
 - Display signs from server or local device memory
 - Set sign mode
 - Upload schedule
 - Set automatic dimming range minimum and maximum levels or manually override display brightness
- Internal real time clock, time maintained with power disconnected
- Set time via local device or sync with cell signal

Scheduling

- All days, multiple messages: schedule up to
- 50 different messages or modes for up to 13 different time periods in a 24-hour day, repeats in each 24-hour cycle
- 7 day, multiple messages: schedule different messages or modes for up to 13 different time periods in each 24-hour day for each of 7 days, repeats in each 7 day cycle; up to 50 different messages can be used over the 7-day period
- All messages and scheduling reside on the sign – no external hardware necessary
- Program schedule via TrafficCloud Web, ATS Android app or ATS PC Sign Manager. Save to load onto multiple signs
- Camera activation controlled in schedule windows
- Internal real time clock, time and schedule maintained with power disconnected

Data Logging Option for InstAlert units with the optional internal radar option – SpeedAlert 24

- Upgrade to the SpeedAlert 24, adding traffic radar to the InstAlert to enable collection of traffic data and speed display functionality
- See SpeedAlert 24 Specification Sheet

InstAlert Sign Power

- Power Input, Max:
- 12VDC, 8A max, 96 W max; 4A, 48W typical

- Power saving circuitry and automatic dimming for ambient light conditions with adjustable dimming range and manual display brightness override

SpeedAlert 24 Power:

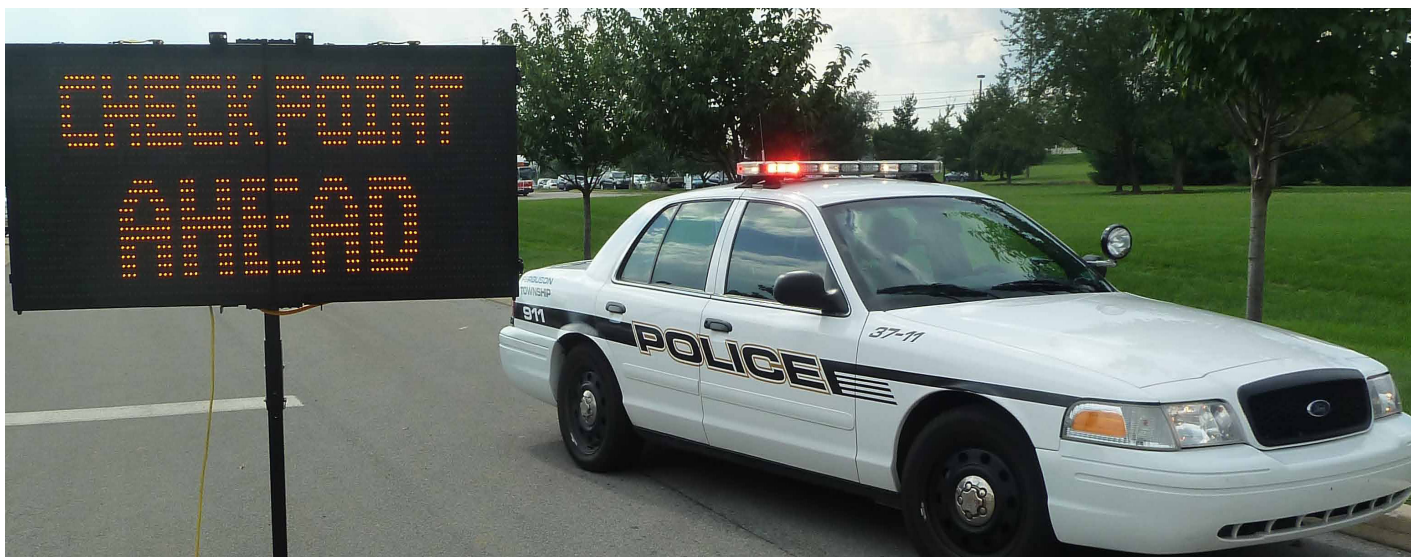
- o 12VDC locking plug, 30A capacity: Compatible power supplies include:
 - o Vehicles' power port, with optional adapter
 - o Trailer wiring adapter for hitch mount
 - o POWERcase portable power supply, PC26 or PC36
 - o 120 or 220 VAC Power supply in NEMA 4 enclosure
 - o ATS 5 Trailer (batteries with optional solar assist: 235 or 470 Ah, 60W solar option)
 - o Pole battery box: 156Ah battery with solar assist
- Battery level indicator on sign, ATS Android app, ATS PC Sign Manager or TrafficCloud Remote Management
- Auto recovery for battery with solar
- Power cable customer replaceable, gold-plated connector contacts, high visibility yellow cable

Standard InstAlert System Components

- InstAlert Variable Message Sign
- ATS PC Sign Manger software with USB cable
- On-Board Controls

InstAlert Mounting Options

- ATS 5 Trailer (refer to ATS 5 Specification Sheet for more info)



INSTALERT 24 ON PORTABLE POST

- Options using the InstAlert mounting bracket
- Hitch mount
 - Sign height: 25" to bottom, 53" to top of sign from receiver tube (final height dependent on receiver height, flip mounting bracket for an additional 12")
 - Fits 1.25" or 2" receiver, adapter included
 - ½" hitch pin
 - Locking rotation adjustment on 15-degree increments over 180 degrees,
 - +/- 5-degree tilt to adjust LED aim for maximum brightness
 - White powder coat finish with rear reflector
 - Not intended for operation above 15 mph
- **Telescoping Hitch Mount**
 - All features of standard hitch mount, plus
 - Sign height: 53" to bottom, 81" to top of sign from receiver tube (final height dependent on receiver height, flip mounting bracket for an additional 12")
- **Standard Folding Portable Post:**
 - Folds for easy storage and portability
 - 42" to 55" to bottom, 70" to 83" to top of sign depending on leg positions, rotate bracket for additional 12"

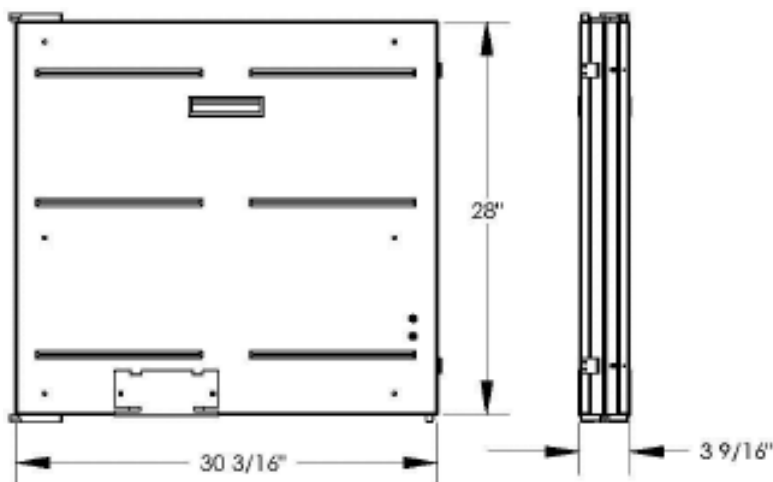
Optional InstAlert Sign Components and Features

- TrafficCloud Web-Based Remote Management Service

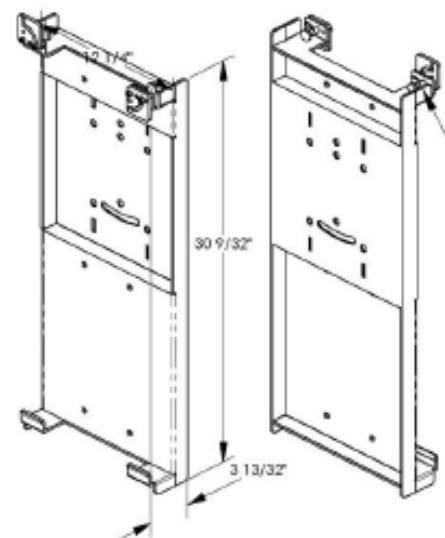
- ATS Android App, Bluetooth connectivity
- Padded carrying case with accessory pockets, shoulder strap
- **Mounting bracket**
 - Mounts to pole or any surface using any hardware, no tools required
 - Tamper-resistant hardware compartment
 - Rotate bracket for additional 12" of mounting height
 - Aluminum with black powder coat
 - Sign can be locked into bracket
 - Bolt sign to mounting bracket for additional security
 - Mounting hardware supplied
- Internal radar allowing for speed display, speed dependent messaging and speed and volume data collection – SpeedAlert 24 radar message sign
- Drive Times sensor-free Time to Destination Service
 - Travel time data sent to sign every minute

Warranty

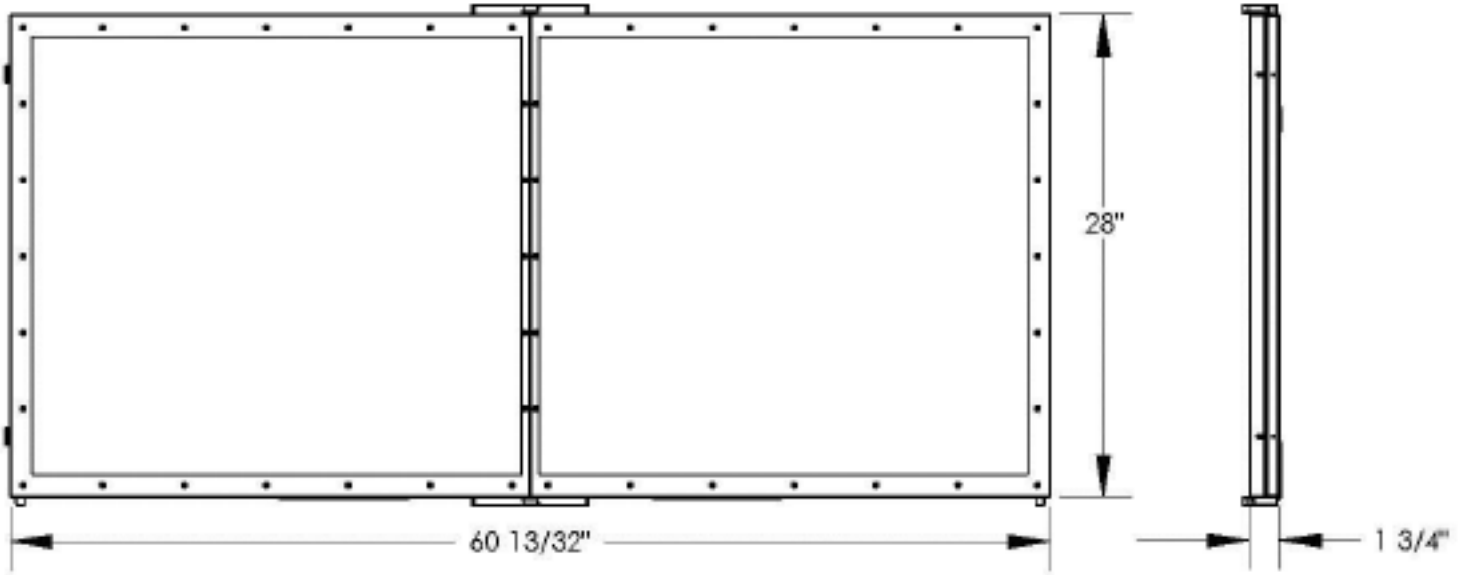
- PremierCare Perpetual Warranty available with current TrafficCloud subscription. Includes hardware defect repairs for the entire lifespan of your ATS products and discounts on accessories and other repairs
- ATS 3-year Manufacturer's Warranty comes standard on all InstAlert variable message signs



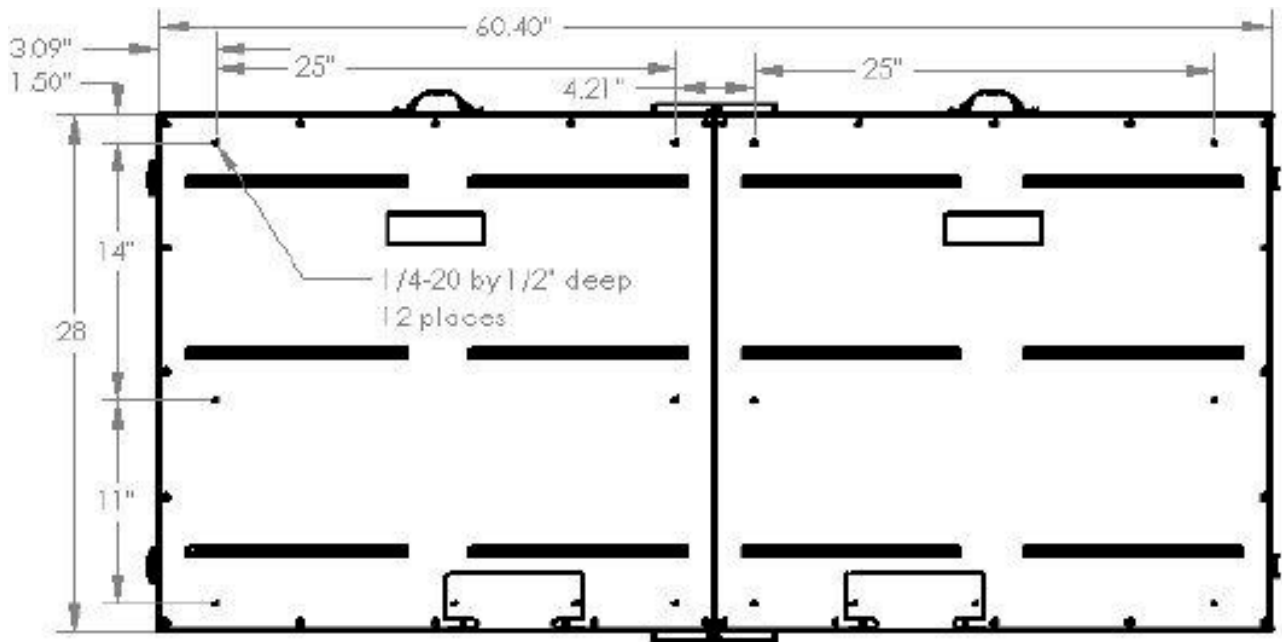
INSTALERT DIMENSIONS: FOLDED



DIMENSIONS: MOUNTING PLATE



INSTALERT 24 DIMENSIONS: OPEN



MOUNTING HOLE POSITIONS

For more information visit us online

 sales@alltrafficsolutions.com  Call ATS on 866.366.6602

All Traffic Solutions, 14201 Sullyfield Circle, Suite 300, Chantilly, VA 20151

©All Traffic Solutions TraffCloud leverages our patented technology (US Patents 8417442; 8755990; 9070287; 9411893) to deliver unique cloud-based management, features and functionality. TraffCloud is a registered trademark of All Traffic Solutions.

ALL TRAFFIC
SOLUTIONS

