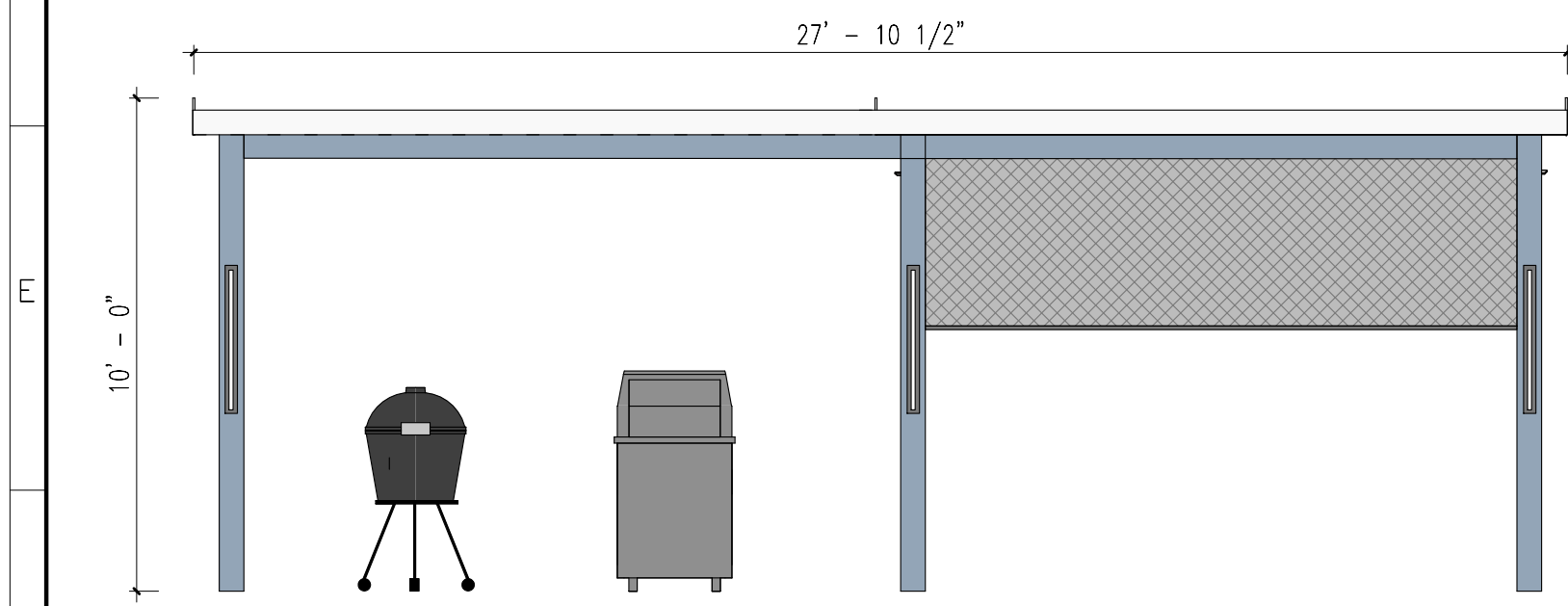
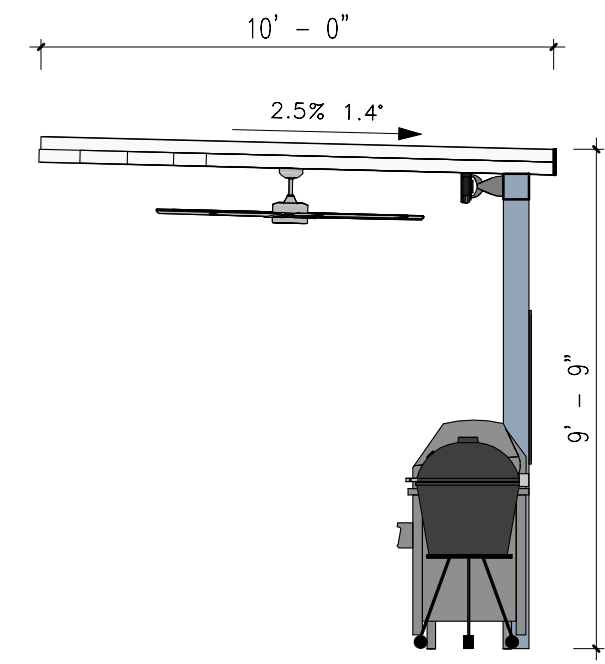


FLOOR PLAN



FRONT ELEVATION



SIDE ELEVATION

