

Symbol	Label	QTY	Manufacturer	Catalog	Description	LLF	LUMEN OUTPUT	COLOR TEMP	DIM	WATTAGE
	A	75	METALUX	4NWS3C3-UNV	4' surface mount field selectable lumen output & color temp	0.9	4144	4000K	0-10V	33
	AEM	12	METALUX	4NWS3C3-UNV / EBPLED	4' surface mount field selectable lumen output, color temp & battery pack	0.9	4144	4000K	0-10V	33
	B	40	METALUX	UHBS-1218-MV-LB4050-U	Industrial highbay w/ field selectable lumen output & color temp	0.9	15952	4000K	0-10V	102
	BEM	20	METALUX	UHBS-1218-MV-LB4050-U / EBP-RM40R	Industrial highbay w/ field selectable lumen output, color temp & emergency battery pack	0.9	15952	4000K	0-10V	102
	C	50	METALUX	UHBS-2436-MV-LB4050-U	Industrial highbay w/ field selectable lumen output & color temp	0.9	24765	4000K	0-10V	150
	CEM	18	METALUX	UHBS-2436-MV-LB4050-U / EBP-RM40R	Industrial highbay w/ field selectable lumen output, color temp & emergency battery pack	0.9	24765	4000K	0-10V	150
	D	116	METALUX	UHBS-2436-MV-LB4050-U	Industrial highbay w/ field selectable lumen output & color temp	0.9	36216	4000K	0-10V	235
	DEM	18	METALUX	UHBS-2436-MV-LB4050-U / EBP-RM40R	Industrial highbay w/ field selectable lumen output, color temp & emergency battery pack	0.9	36216	4000K	0-10V	235
	F	34	METALUX	UHBS-1218-MV-LB4050-U	Industrial highbay w/ field selectable lumen output & color temp	0.9	12966	4000K	0-10V	82
	FEM	6	METALUX	UHBS-1218-MV-LB4050-U / EBP-RM40R	Industrial highbay w/ field selectable lumen output, color temp & emergency battery pack	0.9	12966	4000K	0-10V	82

Statistics

Description	Symbol	Avg	Max	Min	Max/Min	Avg/Min
BELOW BROADCAST BOOTHS	+	27 fc	52 fc	16 fc	3.3:1	1.7:1
COMMUNITY ROOM	+	38 fc	46 fc	20 fc	2.3:1	1.9:1
KITCHEN TYPICAL	+	37 fc	54 fc	19 fc	2.8:1	1.9:1
LOBBY	+	28 fc	45 fc	12 fc	3.8:1	2.3:1
RR TYPICAL	+	37 fc	48 fc	18 fc	2.7:1	2.1:1
STALLS	+	27 fc	44 fc	13 fc	3.4:1	2.1:1
STANDS	+	44 fc	55 fc	18 fc	3.1:1	2.4:1
TICKETS	+	23 fc	31 fc	15 fc	2.1:1	1.5:1
ARENA	+	63 fc	100 fc	19 fc	5.3:1	3.3:1

Table A-1. Recommended Illuminance Criteria for Indoor Sports and Recreation Areas

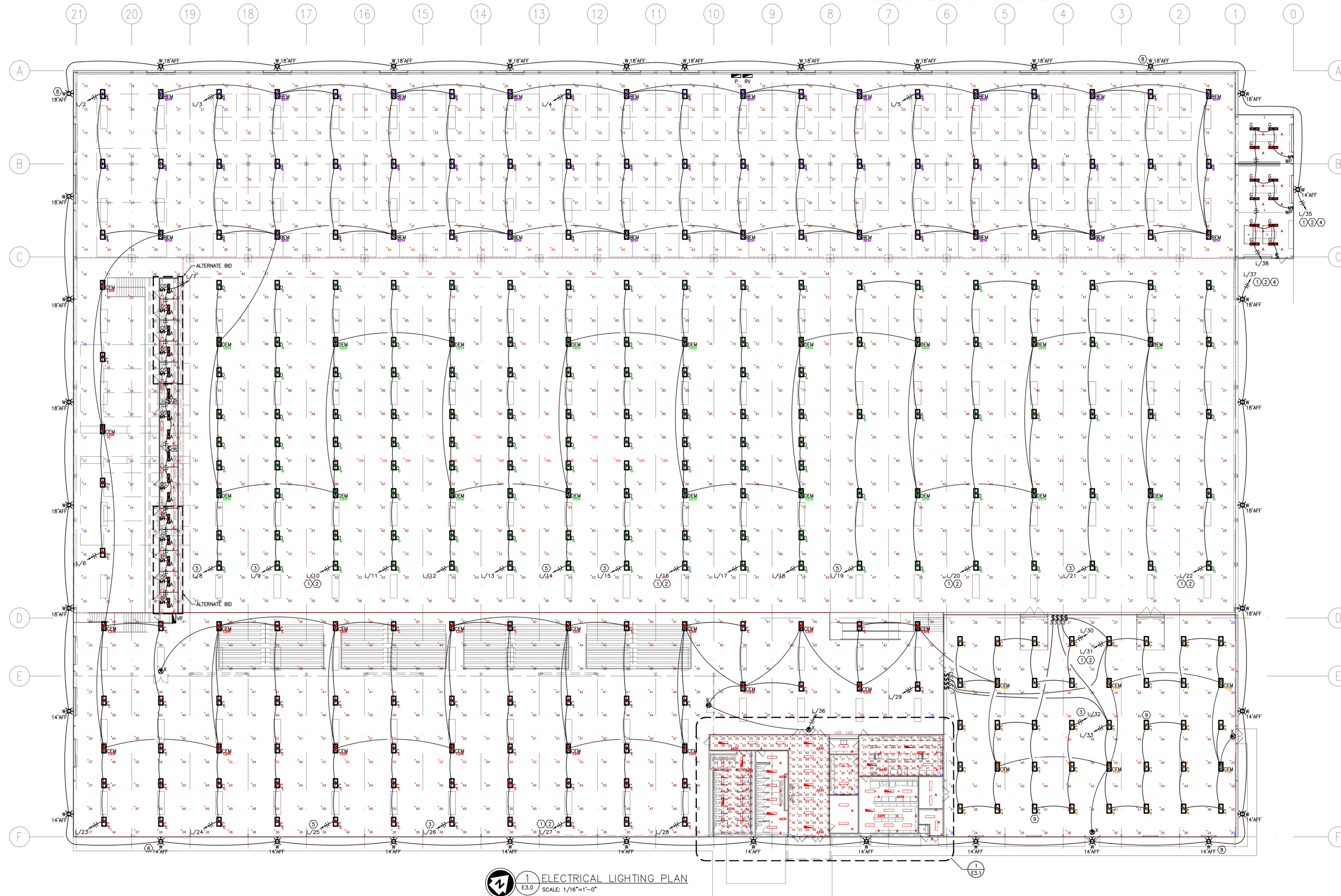
Class of Play	Recommended Maintained Illuminance Targets (fc, ft)											
	75 = Task Surface: Recommended illuminances are at height of task surface above finished grade or floor											
	Horizontal (E _h)						Vertical (E _v)					
Target E _h @ Height AFF	CV	Uniformity Ratio	Target E _v @ Height AFF	CV	Uniformity Ratio	Target E _h @ Height AFF	CV	Uniformity Ratio	Target E _v @ Height AFF	CV	Uniformity Ratio	
Pickleball												
Area of play	II	S	750 @ 0.91 (75 @ 3.0)	Avg	0.13	1.7:1	Max/Min					
Area of play	III	R	500 @ 0.91 (50 @ 3.0)	Avg	0.17	2:1	Max/Min					
Area of play	IV	P	300 @ 0.91 (30 @ 3.0)	Avg	0.21	2.5:1	Max/Min					
Rodeo Shows												
Arena	I	T	1000 @ 0.91 (100 @ 3.0)	Avg	0.17	1.7:1	Max/Min					
Arena	II	S	750 @ 0.91 (75 @ 3.0)	Avg	0.17	2:1	Max/Min					
Arena	III	R	500 @ 0.91 (50 @ 3.0)	Avg	0.21	2.5:1	Max/Min					
Arena	IV	P	300 @ 0.91 (30 @ 3.0)	Avg	0.25	3:1	Max/Min					

PLEASE CONFIRM MOUNTING HEIGHTS
 TYPES A & AE MOUNTED AT 10'
 TYPES B, BE, C & CE MOUNTED AT 25'
 TYPES D & DE MOUNTED AT 35'
 TYPES F & FE MOUNTED AT 16'

EXISTING TYPE A & AE 58 WATTS EACH
 EXISTING TYPE B & BE 230 WATTS EACH
 EXISTING TYPE C, CE, D & DE 345 WATTS EACH
 TOTAL EXISTING WATTAGE 102,336
 TOTAL PROPOSED WATTAGE 53,961

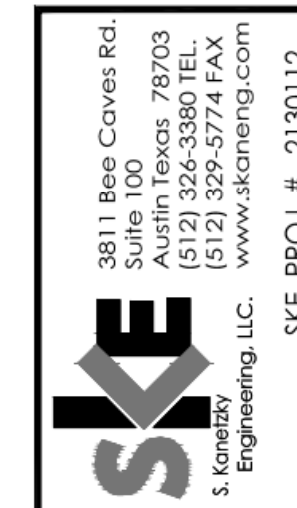
REFERENCE NOTES

- CONNECT ALL LIGHTING FIXTURES TO PANEL "1". VERIFY AND RECORD THAT THE TOTAL CIRCUIT AMPS IS LESS THAN 16 AMPS. TYPICAL.
- USE METAL-CLAD CABLE AS ALLOWED BY THE CODE AND AHJ FOR INTERCONNECTION OF LIGHTING FIXTURE TO PANEL. TYPICAL.
- INSTALL ALL MC CABLES IN A NEAT AND WORKMANLIKE MANNER AND ADEQUATELY SUPPORTED PER THE CODE AND AHJ. IT SHALL BE INSTALLED PARALLEL TO OR AT RIGHT ANGLES TO THE BUILDING WALLS, STRAIGHT AND HIDDEN AS MUCH AS POSSIBLE, AND SUPPORT FROM WALLS OR CEILINGS AT INTERVALS REQUIRED BY CODE, 5' MAXIMUM, AND AHJ WITH APPROVED CLAMPS OR HANGERS.
- CONNECT EXTERIOR LIGHTING FIXTURES TO PANEL "1" THROUGH LIGHTING CONTACTOR. TYPICAL.
- CONNECT LIGHTING FIXTURES IN ARENA, WARM UP AREA, PENS AREA, BLEACHER AND VENDOR AREAS TO PANEL "1" THROUGH LIGHTING CONTACTORS. TYPICAL.
- PROVIDE AND INSTALL LIGHTING CONTACTORS PER DETAILS ON SHEET ES.1.
- CONNECT ALL EXISTING EMERGENCY LIGHTING TO UN-SWITCHED CIRCUIT. INSTALL EMERGENCY BATTERY PACK, IOTA #1-320 OR EQUAL, IN NON SWITCHED EMERGENCY LIGHT FIXTURES. TYPICAL.
- MOUNTING HEIGHT FOR EXTERIOR LIGHTING VARIES. COORDINATE WITH BUILDING STRUCTURE. TYPICAL.
- LIGHT FIXTURES IN COMMUNITY ROOM SHALL BE SUSPENDED AT 12' AFF. TYPICAL.



1 ELECTRICAL LIGHTING PLAN
 E3.0 SCALE: 1/16"=1'-0"

Plan View
 Scale - 1" = 20'



A New Events Arena for the City of Dripping Springs
 Dripping Springs Ranch Park
 Dripping Springs, Texas 78620
ELECTRICAL LIGHTING PLAN



Herman Design Studio
 a r c h i t e c t u r e
 101 Hays Street, Suite 409
 Dripping Springs, Texas 78620
 512.856.9889

REVISIONS

DR1226
 FEB. 20, 2013
E3.0

Project		Catalog #		Type	A / AE
Prepared by		Notes		Date	



Metalux

NWS Selectable Wrap

LED Wraparound with Selectable Lumens and CCT

Typical Applications

• Offices • Education • Healthcare • Retail

Interactive Menu

- Order Information [page 2](#)
- Product Specifications [page 3](#)
- Product Warranty

Product Certification



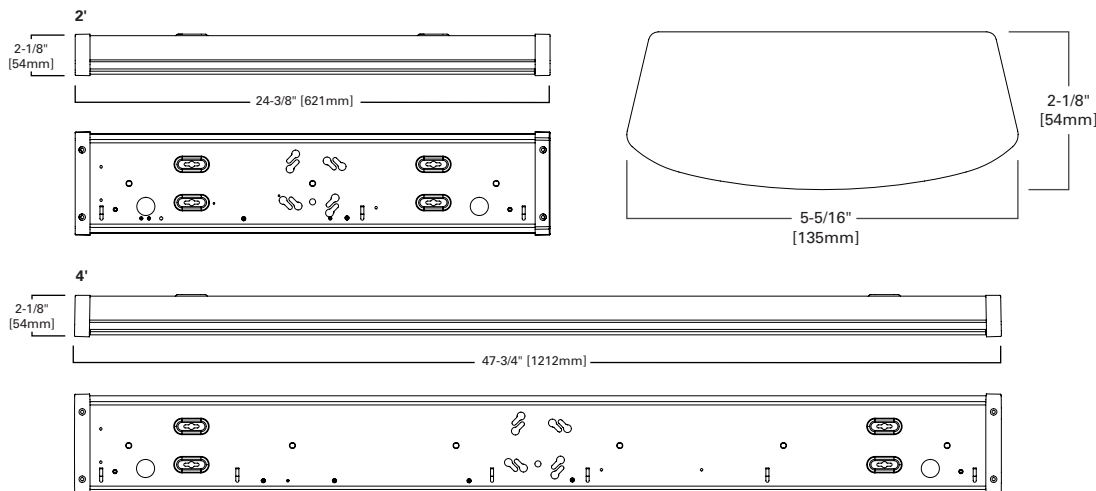
Product Features



Top Product Features

- Selectable CCT 3500K, 4000K, 5000K and selectable lumens up from 2,000-5,200 lumens
- Up to 143 lm/w efficiency, ideal for replacing two or three lamp fluorescent wraparounds (up to 96W equivalent)
- 0-10V dimming standard with 120-277V UNV
- Phase cut 120V triac dimming with "R" ordering option
- Suitable for ceiling, wall, or suspension mounting and row mounting
- DLC 5.1 Compliant
- Optional integrated microwave motion sensor (MS) available for 4' type

Dimensional and Mounting Details



Order Information and Performance Data

Default CCT/Lumen Setting: 4000K / Med Power

Size	Catalog Number	UPC	Volt	Sensor	Lumen Setting	Nominal CCT	CRI	Delivered Nominal Lumens	Watts	Efficacy (lm/W)	Wt.	Units per Pallet
2 ft	2NWS3C3-UNV	080083257485	120-277V	NO	High	3500K	82	2,522	21.8	116	3.1 lbs.	224
						4000K	82	2,679	21.0	128		
						5000K	82	2,574	21.7	119		
					Medium	3500K	82	2,266	18.0	126		
						4000K	82	2,366	17.5	135		
						5000K	82	2,294	18.1	127		
					Low	3500K	82	2,009	15.8	127		
						4000K	82	2,087	15.3	136		
						5000K	82	2,032	15.8	128		
4ft	4NWS3C3-UNV	080083257522	120-277V	NO	High	3500K	82	4,937	40.6	122	4.6 lbs.	112
						4000K	82	5,272	38.9	136		
						5000K	82	5,010	40.7	123		
					Medium	3500K	82	4,324	33.1	130		
						4000K	82	4,498	31.8	141		
						5000K	82	4,357	33.2	131		
					Low	3500K	82	3,800	28.5	133		
						4000K	82	3,930	27.5	143		
						5000K	82	3,822	28.5	134		
4ft	4NWS3C3MS-UNV	080083257607	120-277V	YES	High	3500K	82	4,851	38.9	125	4.6 lbs.	112
						4000K	82	5,016	37.7	133		
						5000K	82	4,872	38.8	126		
					Medium	3500K	82	4,145	32.7	127		
						4000K	82	4,285	31.7	135		
						5000K	82	4,216	32.5	130		
					Low	3500K	82	3,675	28.7	128		
						4000K	82	3,766	27.8	135		
						5000K	82	3,729	28.5	131		
4ft	4NW35C3R	080083257447	120V	NO	3500L	3000K	82	3,830	35.8	107		
						3500K	82	4,124	34.0	121		
						4000K	82	3,954	35.5	111		

Accessories

Accessories (Order Separately)

EBPLED7W=User Installed, Remote Mount, 7 Watt LED Emergency Battery Pack
 EBPLED14W=User Installed, Remote Mount, 14 Watt LED Emergency Battery Pack
 Y-TOGGLE-10 2PK=(2) Y-Toggle Cable Kits at 10FT long

Load Data

	2'	4'
PF	>=0.98	>=0.98
THD%	<20%	<20%
Low Temp Start	-20	-20

Shipping Data

Catalog Base	Wt.	Units per Pallet
2NW	3.1 lbs.	224
4NW	4.6 lbs.	112

Product Specifications

Construction

- Cold rolled steel die form housing with finished ends
- Post painted with high gloss white powder coating
- High-impact plastic end caps

Shielding

- Smooth white lens provides glare-free performance
- Standard LED blended for wide area coverage
- Replaces 2 or 3-lamp fluorescents up to 96W

Installation

- Surface (wall or ceiling) mount via junction box or direct to surface
- Suspension mount capable using standard V-hook or Y-toggle mounting kits

Electrical

- Projected life of L70 at 50,000 hours
- Efficacy up to 143 lm/W
- Phase cut dimming down to 10% (120V)
- 0-10V dimming down to 10% for UNV skus (120-277V)
- User installed, remote mount, 7 & 14 Watt LED emergency battery pack options are available
- Default CCT/Lumen setting is 4000K and Med Power

Compliance

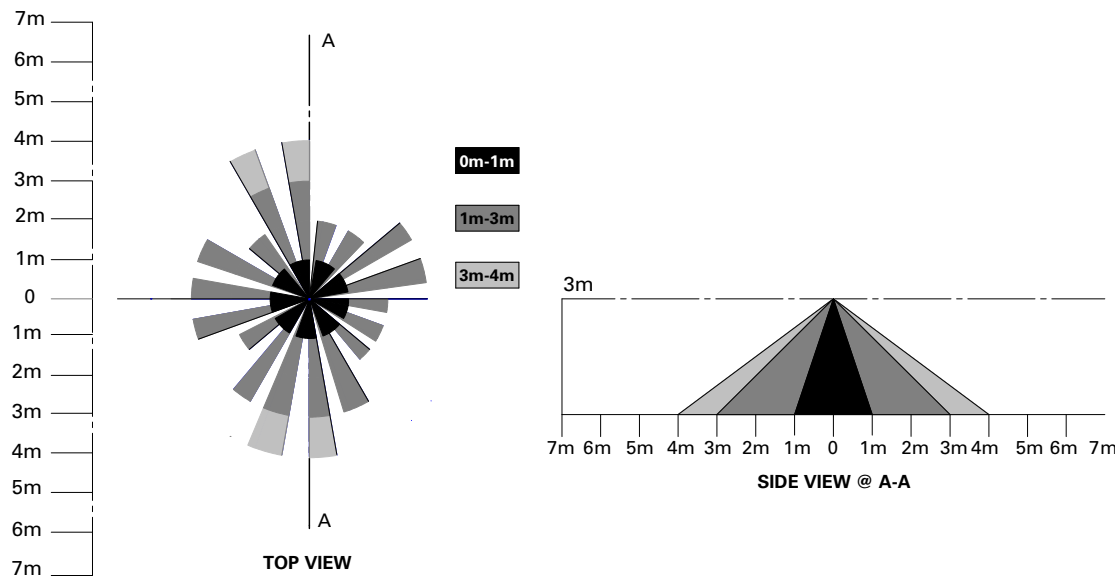
- UL/cUL listed for damp location
- Rated for -4F (-20C) to 104F (40C) ambient operating temperatures
- Meets FCC Part 15 Class B requirements
- RoHS compliant
- LED complies with IESNA LM-79 and LM-80
- ENERGY STAR® Certified luminaire (For 120V sku only) - consult ENERGY STAR® Certified Product List
- DLC 5.1 Standard Qualified

Limited Warranty

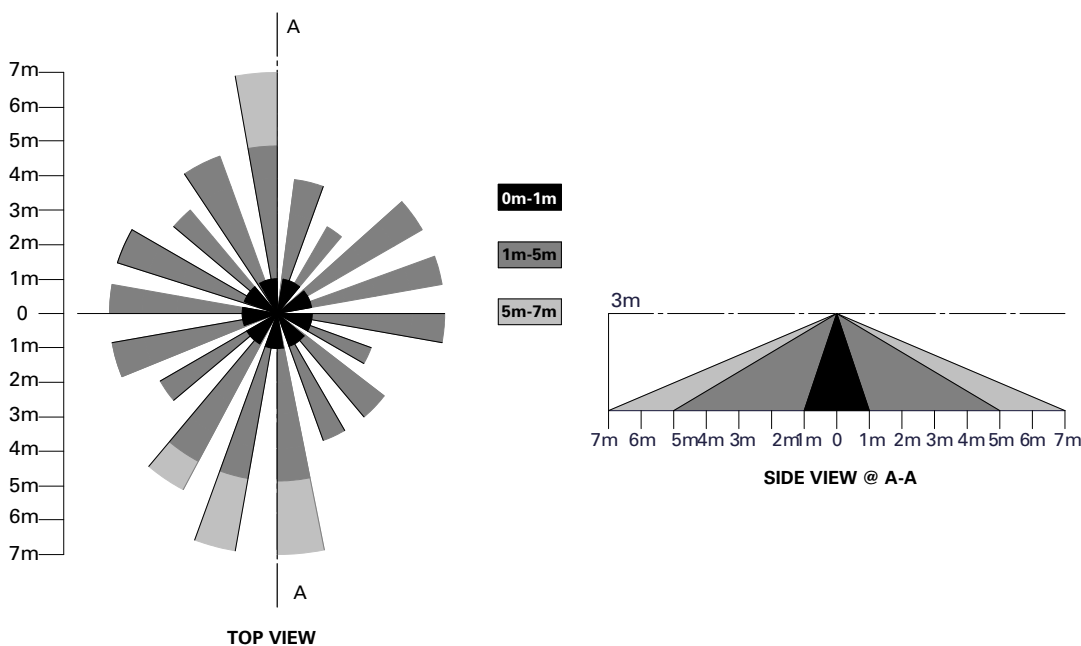
- Five year limited warranty

Sensor Coverage ("MS" SKU Designation)

NWS SENSOR DETECTION 50% COVERAGE

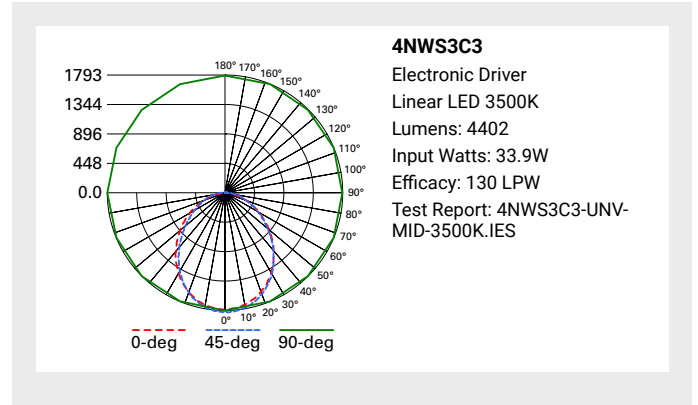
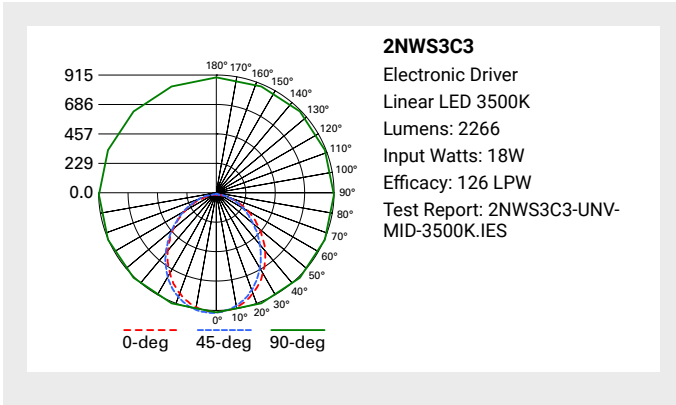


NWS SENSOR DETECTION 100% COVERAGE



Photometric Data

[View IES files](#)



Project		Catalog #		Type	C / CE / D / DE / F / FE
Prepared by		Notes		Date	



Metalux

UHBS Selectable High Bay

LED Round High Bay with Selectable CCT and Lumen

Typical Applications

Industrial • Commercial • Retail • Manufacturing • Warehouse • Gymnasium ⁽¹⁾
• Multi-purpose • Grocery • High Bay / Low Bay Applications

Note: (1) Rigid Stem mount not recommended for use in gymnasiums.

Interactive Menu

- Energy and Performance Data [page 2](#)
- Accessories [page 2](#)
- Photometric Data [page 3](#)
- Sensor Coverage [page 4](#)
- Product Warranty

Product Certification



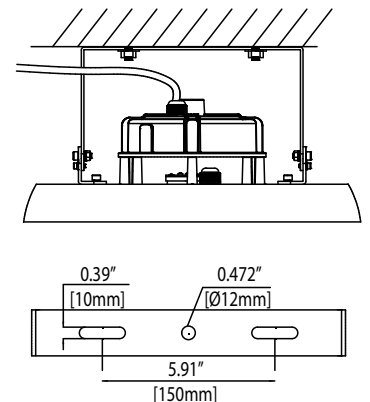
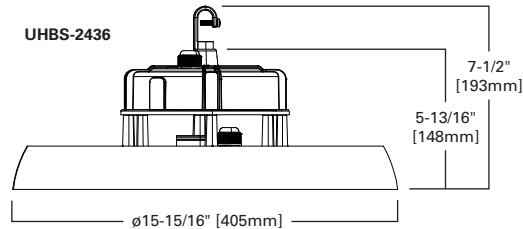
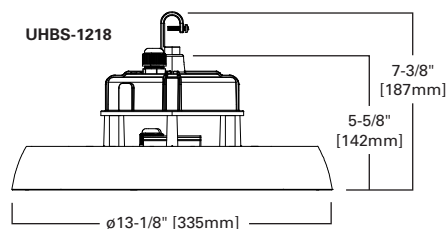
Product Features



Top Product Features

- Selectable Lumen/Power performance packages
- 4000K/5000K Selectable CCT color
- Sensor ready port for quick plug and play install
- Compact, 13" and 15" round die cast aluminum housing
- 120-347 volt operating range
- 0-10V dimming control down to 10%
- IK08 lens with IP65 rated lens and driver enclosure

Dimensional and Mounting Details



Energy and Performance Data

Default CCT/Lumen Setting: 4000K / High Power

Catalog#	UPC	Voltage	Lumen Setting	Nominal CCT	CRI	120V			277V			347V		
						Nominal Lumens	Watts	Efficacy (lm/W)	Nominal Lumens	Watts	Efficacy (lm/W)	Nominal Lumens	Watts	Efficacy (lm/W)
UHBS-1218-MV-L84050-U	080083256471	120-347V	Low	4000K	82	13134	82.0	160	12966	81.3	159	12896	81.3	159
				5000K	82	13264	82.4	161	13053	81.6	160	13037	81.7	160
			Medium	4000K	82	16168	105.1	154	15952	102.1	156	15886	101.9	156
				5000K	82	16265	105.5	154	16045	102.6	156	15976	102.4	156
			High	4000K	82	18353	120.1	153	18567	122.0	152	18550	122.0	152
				5000K	82	18402	120.7	152	18728	123.0	152	18669	122.6	152
UHBS-2436-MV-L84050-U	080083256488	120-347V	Low	4000K	82	24825	152.8	162	24765	149.8	165	24617	149.4	165
				5000K	82	24998	153.8	163	24867	150.3	165	24827	150.4	165
			Medium	4000K	82	31056	202.3	154	31275	196.2	159	30998	194.2	160
				5000K	82	31162	201.6	155	31313	195.4	160	31011	195.1	159
			High	4000K	82	36952	244.2	151	36216	235.0	154	36117	234.5	154
				5000K	82	37167	245.5	151	36462	236.6	154	36189	235.5	154
UHBS-1218-MV-L84050-BLK	080083272341	120-347V	Low	4000K	82	13031	84.2	155	12965	84.2	154	12905	84.2	153
				5000K	82	13064	84.0	156	12997	84.0	155	12937	84.0	154
			Medium	4000K	82	15487	103.3	150	15408	103.3	149	15337	103.3	148
				5000K	82	15512	103.1	150	15433	103.1	150	15362	103.1	149
			High	4000K	82	17914	123.9	145	17823	123.9	144	17740	123.9	143
				5000K	82	17938	123.4	145	17847	123.4	145	17764	123.4	144
UHBS-2436-MV-L84050-BLK	080083272365	120-347V	Low	4000K	82	23607	147.1	160	23487	147.1	160	23378	147.1	159
				5000K	82	23468	146.9	160	23348	146.9	159	23240	146.9	158
			Medium	4000K	82	29800	194.8	153	29648	194.8	152	29511	194.8	152
				5000K	82	29619	194.5	152	29468	194.5	152	29332	194.5	151
			High	4000K	82	35098	239.8	146	34919	239.8	146	34758	239.8	145
				5000K	82	34931	239.5	146	34753	239.5	145	34592	239.5	144

Notes: Color correction factor for black fixture is 0.96

Lumen Maintenance

Ambient Temperature	TM-21 Lumen Maintenance (60,000 hours)	Theoretical L70 (hours)
25°C	> 91%	> 218,000

Ambient Ratings

Lumen Package	Ambient Rating
UHBS-1218	50C
UHBS-2436	50C

Energy Data

Input Watts:
UHBS-1218 = 80/100/120W
UHBS-2436 = 150/200/240W

Shipping Data

Catalog No.	Wt.
UHBS-1218	8 lbs.
UHBS-2436	11.3 lbs.

Operating Temp. -40 to 50C

Product Specifications

Construction

- Diecast aluminum housing and heatsink for durability
- Polycarbonate lens seals LED for IP65 rating
- Lens is IK08 rated

Electrical

- Long-life LED system with electronic driver for optimal performance
- Selectable power switch for 3 levels of lumen output per model
- Selectable color switch provides 4000 or 5000K CCT at CRI >82
- Multi-volt 120 through 347V operation
- 0-10V dimming, 10% standard
- 7ft (86") long power and dimming cord provided for easier installation
- Integral 4K surge protector
- Operating temperature of -40°C to 50°C
- Default CCT/Lumen setting is 4000K and High Power

Optics

- Medium distribution standard

Mounting

- Mounting hook included
- Designed for suspension mounting with 1/2" threaded hub
- Available ADAPHUB accessory for 3/4" NPS threaded stem

Compliance

- cULus listed for wet location
- NEMA 4X, IP65 rated
- IESNA LM-79 and LM-80 standards compliant
- Qualifies as State of California Title 24 non-residential high efficiency luminaire
- FCC part 15 class A compliant
- DesignLights Consortium® Qualified and classified for DLC Premium, refer to www.designlights.org for details.
- Only the UHBS with Black Finish is NSF rated; Splash, Non-Food Zone - Typical rating for lighting equipment not subjected to direct food contact.

Sensor

- Plug and play low-voltage sensor accessory available
- Sensor installs directly to integral fixture port
- PIR motion sensor with 0-10V control
- Wet location and IP65 rated
- Up to 50ft mounting height
- Sensor remote control must be ordered separately

Emergency Pack Option

- 120-347V universal input remote emergency driver accessory available
- Field installed EM driver wires directly to fixture
- 90-minute batteries provide constant power to the LED system
- Test switch/indicator button can be tested safely from the ground using remote control
- EM remote control included with accessory
- Accessory comes with grommets and mounting hardware, see EM driver spec sheet.

Finish

- White or black polyester powder coat finish painted after fabrication

Warranty

- Five year limited warranty

Accessories List

Catalog Number	Description	Unit Carton UPC
UHBS-SMB	UHBS Surf Mnt Brkt for 13"/15" Model	080083273263
UHBS-SMB-BLK	UHBS Surf Mnt Black Finish	coming soon
UHBS-CLR13	UHBS 13 Clear PC Reflector	080083273300
UHBS-CLR15	UHBS 15 Clear PC Reflector	080083273317
UHBS-ALR13	UHBS 13 Aluminum Reflector	080083273324
UHBS-ALR15	UHBS 15 Aluminum Reflector	080083273331
UHBS-WG13 ⁽²⁾	UHBS 13 dia. Wire Guard	080083273348
UHBS-WG15 ⁽²⁾	UHBS 15 dia. Wire Guard	080083273355
UHBS-CDL13 ⁽³⁾	UHBS 13 Clear Lens Cover & Clamp	080083273362
UHBS-CDL15 ⁽³⁾	UHBS 15 Clear Lens Cover & Clamp	080083273379
EBP-RM40R ⁽⁶⁾	40W Emergency Driver, Remote Mount 120-347V White w/ remote included	080083259496
UHBS-SENSOR PK ⁽⁶⁾	PIR Sensor 360 Lens 60FT MH Kit	080083257898
UHBS SENSOR REMOTE	UHBS Sensor Remote Control	080083260249
UHBS-ADAPHUB ⁽⁴⁾	UHBS Adapter HUB-3/4NPS	080083259830
UHBS-ADAPHUB-BLK	UHBS Adapter Hub Black Finish	coming soon
UHBS-SC7 ⁽⁵⁾	UHBS Safety Cable 7FT long with Clip	080083259854
UHBS RING	UHBS Ring Mount Accessory	080083260225

Notes: (2) Installs directly to fixture only. (3) Fits onto clear PC reflector only. Do not attach directly to the fixture. (4) Rigid mount not for use in gymnasiums. (5) The Safety Cable accessory shall be utilized only as a secondary safety and not the primary means of mounting. (6) To meet state and local codes, EBP cannot be used with UHBS with sensor or with UHBS sensor accessory. (7) Also available in black finish.



ALR
Aluminum Reflector



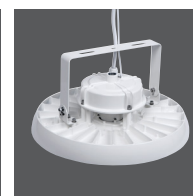
CLR
Clear Reflector



CDL
Clear Lens Cover



WG
Wireguard



SMB⁽⁷⁾
Surface Mount Bracket



ADAPHUB⁽⁷⁾
3/4 NPS Hub adapter



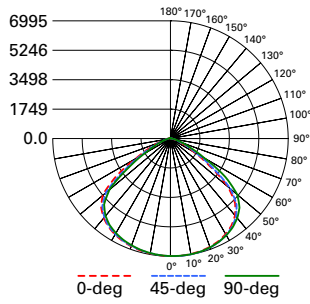
SENSOR⁽⁶⁾
Plug in sensor



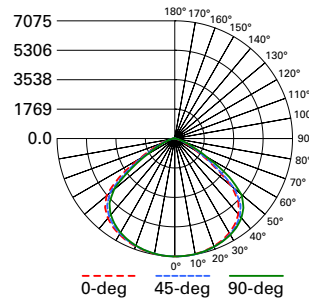
EBP-RM40R⁽⁶⁾
Field installed Remote EM

Photometric Data

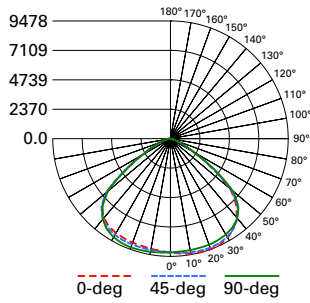
[View IES files](#)



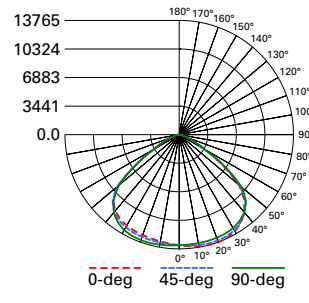
UHBS-18-MV-L840-U-277
 Electronic Driver
 Round Select LED 4000K
 Spacing criterion: (H) 1.4 x mounting height, (L) 1.4 x mounting height
 Lumens: 18567
 Input Watts: 122W
 Efficacy: 152.2 LPW
 Test Report: UHBS-18-MV-L840-U-277.IES



UHBS-18-MV-L850-U-277
 Electronic Driver
 Round Select LED 5000K
 Spacing criterion: (H) 1.4 x mounting height, (L) 1.4 x mounting height
 Lumens: 18728
 Input Watts: 123W
 Efficacy: 152.3 LPW
 Test Report: UHBS-18-MV-L850-U-277.IES

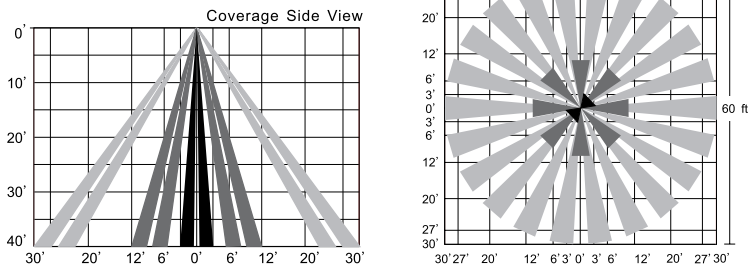


UHBS-24-MV-L840-U-277
 Electronic Driver
 Round Select LED 4000K
 Spacing criterion: (H) 1.45 x mounting height, (L) 1.46 x mounting height
 Lumens: 24765
 Input Watts: 149.8W
 Efficacy: 165.3 LPW
 Test Report: UHBS-24-MV-L840-U-277.IES



UHBS-36-MV-L840-U-277
 Electronic Driver
 Round Select LED 4000K
 Spacing criterion: (H) 1.45 x mounting height, (L) 1.46 x mounting height
 Lumens: 36216
 Input Watts: 235W
 Efficacy: 154.1 LPW
 Test Report: UHBS-36-MV-L840-U-277.IES

Sensor Coverage



Sensor Specifications

Power supply	12V-24V DC, >30mA
Dim control output	0-10V, max. 25mA sinking current
Remote range	50ft. (15m) indoor, no backlight
Dim control output	0-10V
Detection radius	20% / 50% / 75% / 100% (1-8m)
Mounting height	Up to 50ft (15.25 m)
Time setting	10s / 1 min / 5 min / 10 min / 15 min / 20 min / 30 min / 60 min
Light-control	24H / 10 LUX / 30 LUX / 50 LUX
Sensor Operating Temp.	-40°F ~+ 158°F (-40°C ~+ 70°C)
IP rating	IP65

Notes: Warm up time 40 sec after sensor first receives input power. Fixture will stay on 40 seconds then work move to default mode.

Any setting changed by sensor remote control (order remote separately), will led lights on remote to turn on and off to confirm. See sensor instruction sheet on UHBS product page found on www.cooperlighting.com

Sensor Modes

	Brightness	Sensitivity	Hold Time	Daylight Sensor	Stand-by Dim	Stand-by Period
MODE 1 (Default)	100%	75%	5 min	Disabled	30%	30 min
MODE 2	100%	75%	1 min	Disabled	30%	∞
MODE 3	100%	75%	5 min	30LUX	30%	30 min
MODE 4	100%	75%	1 min	(30LUX/300LUX)	30%	∞

Project		Catalog #		Type	CE / DE / FE
Prepared by		Notes		Date	



Metalux

EBP-RM40R

Emergency LED Driver for UHBS Selectable High-Bay

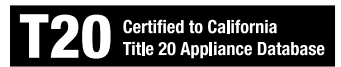
Typical Applications

Industrial • Commercial • Retail • Manufacturing • Warehouse • Gymnasium • Multi-purpose • Grocery • High Bay / Low Bay Applications

Interactive Menu

- Order Information page 2
- Product Specifications page 2
- Project Features page 2
- Product Warranty

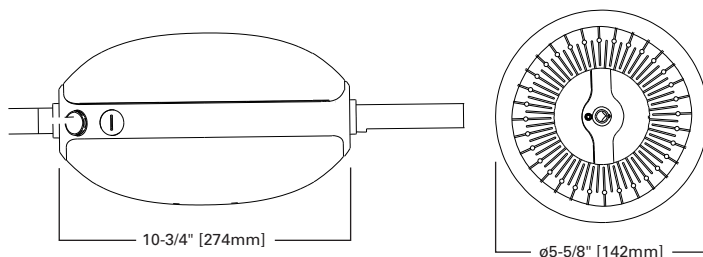
Product Certification



Top Product Features

- UL Listed for factory or field installation
- Universal input: 100-347Vac, 50/60Hz
- Constant power output
- Built-in junction box
- Easy wiring, connect directly to AC output of luminaire
- Over-voltage, short-circuit, over-load, open-circuit protection
- Remote control device included
- CEC Title 20 certified

Dimensional Details



Installation Example



[additional product diagrams](#)

Ordering Information

Model No.	Input Voltage	Emergency Power
EBP-RM40R	100-347V AC	40W

Note: To meet state and local codes, EBP cannot be used with UHBS with sensor or with UHBS sensor accessory.

Packaging

UPC Code	Unit Weight (lbs)	Master Pack Qty	Master Pack Size
080083259496	32.2	4PCS	23.6" x 13.8" x 8"

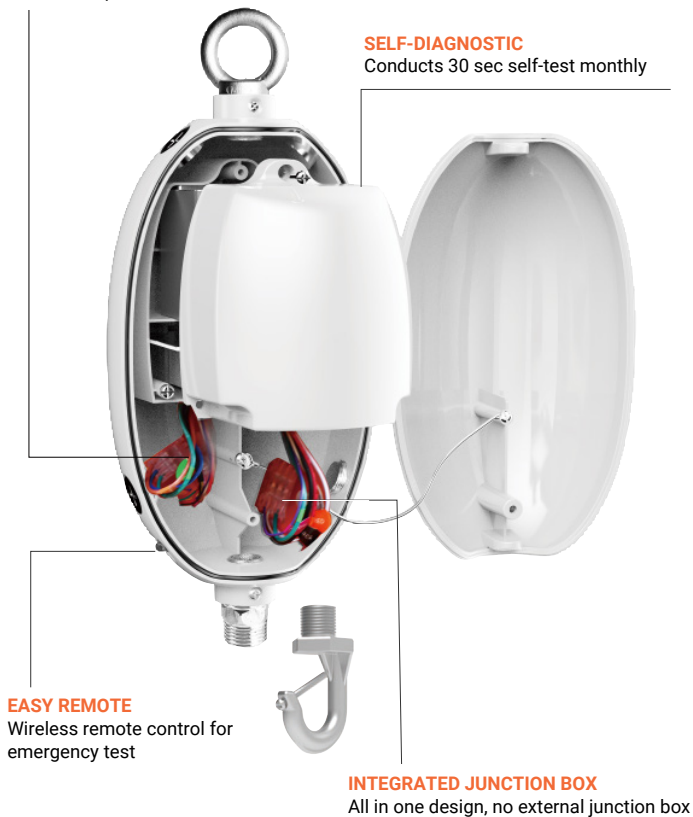
Product Specifications

Input Voltage	100-347V AC, 50/60Hz	Output Voltage	170V DC
Input Current (Max.)	200mA	Output Current (Max.)	460mA
Input Power (Max.)	15W	Output Power	40W
Emergency Time	90 minutes	Battery Type	Lithium ion battery
Charging Time (Full)	≥24 hours	Ambient Temp.	5°C~50°C (41°F~122°F)

Product Features

EASY WIRING

Directly connect to Fixture LED Driver AC input



Components (included)

No.	Parts	Quantity	Picture	Remark
1	Rugby LED Emergency Driver	1		
2	Ring	1		
3	G-hook and 1/2" NPT	1		
4	Waterproof Connectors (For AC Wires)	3		Cable Range: Ø5-Ø9mm (v0.19"~Ø0.35")
5	Waterproof Connectors (For Dimming Wires)	2		Cable Range: Ø4-Ø5mm (Ø0.16"~Ø0.19")
6	Remote Controller (Includes 2 Tek screws)	1		
7	Philips Head Screws	2		
7	Wiring Connectors	5		Inside Housing
7	Instruction Sheet	1		