

Project		Catalog #		Type	
Prepared by		Notes		Date	



Metalux

UHBS Selectable High Bay

LED Round High Bay with Selectable CCT and Lumen

Typical Applications

Industrial • Commercial • Retail • Manufacturing • Warehouse • Gymnasium ⁽¹⁾
 • Multi-purpose • Grocery • High Bay / Low Bay Applications

Note: (1) Rigid Stem mount not recommended for use in gymnasiums.

Interactive Menu

- Energy and Performance Data [page 2](#)
- Accessories [page 2](#)
- Photometric Data [page 3](#)
- Sensor Coverage [page 4](#)
- Product Warranty

Product Certification



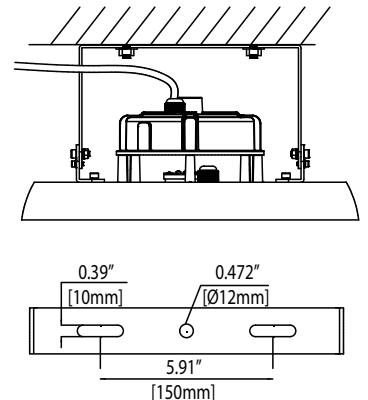
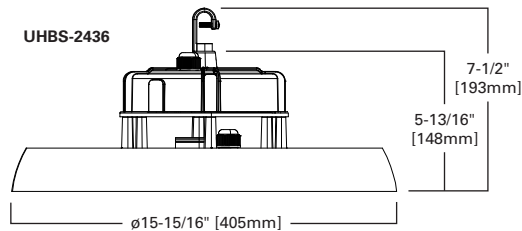
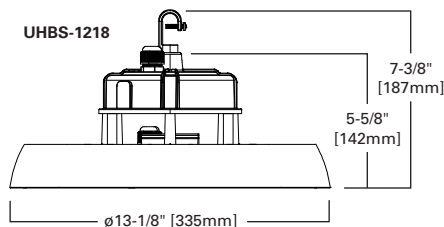
Product Features



Top Product Features

- Selectable Lumen/Power performance packages
- 4000K/5000K Selectable CCT color
- Sensor ready port for quick plug and play install
- Compact, 13" and 15" round die cast aluminum housing
- 120-347 volt operating range
- 0-10V dimming control down to 10%
- IK08 lens with IP65 rated lens and driver enclosure

Dimensional and Mounting Details



Energy and Performance Data

Default CCT/Lumen Setting: 4000K / High Power

Catalog#	UPC	Voltage	Lumen Setting	Nominal CCT	CRI	120V			277V			347V		
						Nominal Lumens	Watts	Efficacy (lm/W)	Nominal Lumens	Watts	Efficacy (lm/W)	Nominal Lumens	Watts	Efficacy (lm/W)
UHBS-1218-MV-L84050-U	080083256471	120-347V	Low	4000K	82	13134	82.0	160	12966	81.3	159	12896	81.3	159
				5000K	82	13264	82.4	161	13053	81.6	160	13037	81.7	160
			Medium	4000K	82	16168	105.1	154	15952	102.1	156	15886	101.9	156
				5000K	82	16265	105.5	154	16045	102.6	156	15976	102.4	156
			High	4000K	82	18353	120.1	153	18567	122.0	152	18550	122.0	152
				5000K	82	18402	120.7	152	18728	123.0	152	18669	122.6	152
UHBS-2436-MV-L84050-U	080083256488	120-347V	Low	4000K	82	24825	152.8	162	24765	149.8	165	24617	149.4	165
				5000K	82	24998	153.8	163	24867	150.3	165	24827	150.4	165
			Medium	4000K	82	31056	202.3	154	31275	196.2	159	30998	194.2	160
				5000K	82	31162	201.6	155	31313	195.4	160	31011	195.1	159
			High	4000K	82	36952	244.2	151	36216	235.0	154	36117	234.5	154
				5000K	82	37167	245.5	151	36462	236.6	154	36189	235.5	154
UHBS-1218-MV-L84050-BLK	080083272341	120-347V	Low	4000K	82	13031	84.2	155	12965	84.2	154	12905	84.2	153
				5000K	82	13064	84.0	156	12997	84.0	155	12937	84.0	154
			Medium	4000K	82	15487	103.3	150	15408	103.3	149	15337	103.3	148
				5000K	82	15512	103.1	150	15433	103.1	150	15362	103.1	149
			High	4000K	82	17914	123.9	145	17823	123.9	144	17740	123.9	143
				5000K	82	17938	123.4	145	17847	123.4	145	17764	123.4	144
UHBS-2436-MV-L84050-BLK	080083272365	120-347V	Low	4000K	82	23607	147.1	160	23487	147.1	160	23378	147.1	159
				5000K	82	23468	146.9	160	23348	146.9	159	23240	146.9	158
			Medium	4000K	82	29800	194.8	153	29648	194.8	152	29511	194.8	152
				5000K	82	29619	194.5	152	29468	194.5	152	29332	194.5	151
			High	4000K	82	35098	239.8	146	34919	239.8	146	34758	239.8	145
				5000K	82	34931	239.5	146	34753	239.5	145	34592	239.5	144

Notes: Color correction factor for black fixture is 0.96

Lumen Maintenance

Ambient Temperature	TM-21 Lumen Maintenance (60,000 hours)	Theoretical L70 (hours)
25°C	> 91%	> 218,000

Ambient Ratings

Lumen Package	Ambient Rating
UHBS-1218	50C
UHBS-2436	50C

Energy Data

Input Watts:
UHBS-1218 = 80/100/120W
UHBS-2436 = 150/200/240W

Shipping Data

Catalog No.	Wt.
UHBS-1218	8 lbs.
UHBS-2436	11.3 lbs.

Operating Temp. -40 to 50C

Product Specifications

Construction

- Diecast aluminum housing and heatsink for durability
- Polycarbonate lens seals LED for IP65 rating
- Lens is IK08 rated

Electrical

- Long-life LED system with electronic driver for optimal performance
- Selectable power switch for 3 levels of lumen output per model
- Selectable color switch provides 4000 or 5000K CCT at CRI >82
- Multi-volt 120 through 347V operation
- 0-10V dimming, 10% standard
- 7ft (86") long power and dimming cord provided for easier installation
- Integral 4K surge protector
- Operating temperature of -40°C to 50°C
- Default CCT/Lumen setting is 4000K and High Power

Optics

- Medium distribution standard

Mounting

- Mounting hook included
- Designed for suspension mounting with 1/2" threaded hub
- Available ADAPHUB accessory for 3/4" NPS threaded stem

Compliance

- cULus listed for wet location
- NEMA 4X, IP65 rated
- IESNA LM-79 and LM-80 standards compliant
- Qualifies as State of California Title 24 non-residential high efficiency luminaire
- FCC part 15 class A compliant
- DesignLights Consortium® Qualified and classified for DLC Premium, refer to www.designlights.org for details.
- Only the UHBS with Black Finish is NSF rated; Splash, Non-Food Zone - Typical rating for lighting equipment not subjected to direct food contact.

Sensor

- Plug and play low-voltage sensor accessory available
- Sensor installs directly to integral fixture port
- PIR motion sensor with 0-10V control
- Wet location and IP65 rated
- Up to 50ft mounting height
- Sensor remote control must be ordered separately

Emergency Pack Option

- 120-347V universal input remote emergency driver accessory available
- Field installed EM driver wires directly to fixture
- 90-minute batteries provide constant power to the LED system
- Test switch/indicator button can be tested safely from the ground using remote control
- EM remote control included with accessory
- Accessory comes with grommets and mounting hardware, see EM driver spec sheet.

Finish

- White or black polyester powder coat finish painted after fabrication

Warranty

- Five year limited warranty

Accessories List

Catalog Number	Description	Unit Carton UPC
UHBS-SMB	UHBS Surf Mnt Brkt for 13"/15" Model	080083273263
UHBS-SMB-BLK	UHBS Surf Mnt Black Finish	coming soon
UHBS-CLR13	UHBS 13 Clear PC Reflector	080083273300
UHBS-CLR15	UHBS 15 Clear PC Reflector	080083273317
UHBS-ALR13	UHBS 13 Aluminum Reflector	080083273324
UHBS-ALR15	UHBS 15 Aluminum Reflector	080083273331
UHBS-WG13 ⁽²⁾	UHBS 13 dia. Wire Guard	080083273348
UHBS-WG15 ⁽²⁾	UHBS 15 dia. Wire Guard	080083273355
UHBS-CDL13 ⁽³⁾	UHBS 13 Clear Lens Cover & Clamp	080083273362
UHBS-CDL15 ⁽³⁾	UHBS 15 Clear Lens Cover & Clamp	080083273379
EBP-RM40R ⁽⁶⁾	40W Emergency Driver, Remote Mount 120-347V White w/ remote included	080083259496
UHBS-SENSOR PK ⁽⁶⁾	PIR Sensor 360 Lens 60FT MH Kit	080083257898
UHBS SENSOR REMOTE	UHBS Sensor Remote Control	080083260249
UHBS-ADAPHUB ⁽⁴⁾	UHBS Adapter HUB-3/4NPS	080083259830
UHBS-ADAPHUB-BLK	UHBS Adapter Hub Black Finish	coming soon
UHBS-SC7 ⁽⁵⁾	UHBS Safety Cable 7FT long with Clip	080083259854
UHBS RING	UHBS Ring Mount Accessory	080083260225

Notes: (2) Installs directly to fixture only. (3) Fits onto clear PC reflector only. Do not attach directly to the fixture. (4) Rigid mount not for use in gymnasiums. (5) The Safety Cable accessory shall be utilized only as a secondary safety and not the primary means of mounting. (6) To meet state and local codes, EBP cannot be used with UHBS with sensor or with UHBS sensor accessory. (7) Also available in black finish.



ALR
Aluminum Reflector



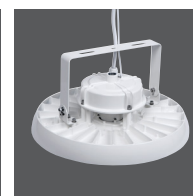
CLR
Clear Reflector



CDL
Clear Lens Cover



WG
Wireguard



SMB⁽⁷⁾
Surface Mount Bracket



ADAPHUB⁽⁷⁾
3/4 NPS Hub adapter



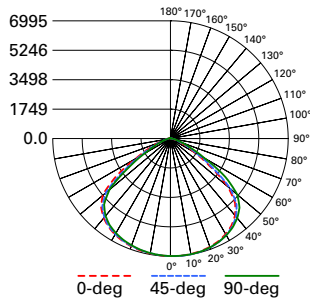
SENSOR⁽⁶⁾
Plug in sensor



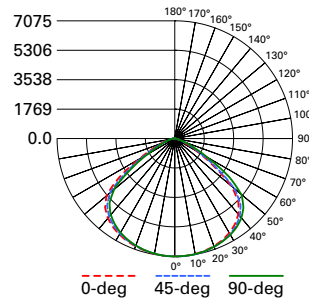
EBP-RM40R⁽⁶⁾
Field installed Remote EM

Photometric Data

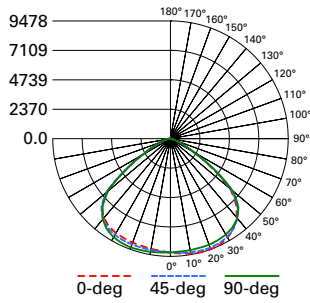
[View IES files](#)



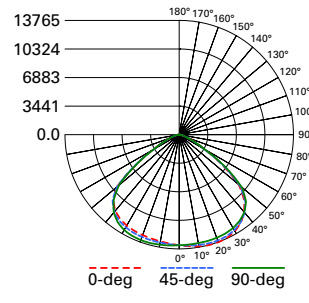
UHBS-18-MV-L840-U-277
 Electronic Driver
 Round Select LED 4000K
 Spacing criterion: (H) 1.4 x mounting height, (L) 1.4 x mounting height
 Lumens: 18567
 Input Watts: 122W
 Efficacy: 152.2 LPW
 Test Report: UHBS-18-MV-L840-U-277.IES



UHBS-18-MV-L850-U-277
 Electronic Driver
 Round Select LED 5000K
 Spacing criterion: (H) 1.4 x mounting height, (L) 1.4 x mounting height
 Lumens: 18728
 Input Watts: 123W
 Efficacy: 152.3 LPW
 Test Report: UHBS-18-MV-L850-U-277.IES

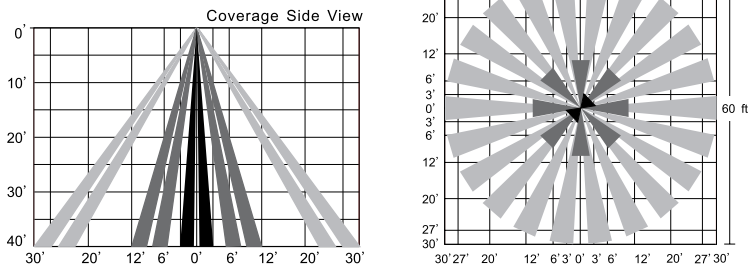


UHBS-24-MV-L840-U-277
 Electronic Driver
 Round Select LED 4000K
 Spacing criterion: (H) 1.45 x mounting height, (L) 1.46 x mounting height
 Lumens: 24765
 Input Watts: 149.8W
 Efficacy: 165.3 LPW
 Test Report: UHBS-24-MV-L840-U-277.IES



UHBS-36-MV-L840-U-277
 Electronic Driver
 Round Select LED 4000K
 Spacing criterion: (H) 1.45 x mounting height, (L) 1.46 x mounting height
 Lumens: 36216
 Input Watts: 235W
 Efficacy: 154.1 LPW
 Test Report: UHBS-36-MV-L840-U-277.IES

Sensor Coverage



Sensor Specifications

Power supply	12V-24V DC, >30mA
Dim control output	0-10V, max. 25mA sinking current
Remote range	50ft. (15m) indoor, no backlight
Dim control output	0-10V
Detection radius	20% / 50% / 75% / 100% (1-8m)
Mounting height	Up to 50ft (15.25 m)
Time setting	10s / 1 min / 5 min / 10 min / 15 min / 20 min / 30 min / 60 min
Light-control	24H / 10 LUX / 30 LUX / 50 LUX
Sensor Operating Temp.	-40°F ~+ 158°F (-40°C ~+ 70°C)
IP rating	IP65

Notes: Warm up time 40 sec after sensor first receives input power. Fixture will stay on 40 seconds then work move to default mode.

Any setting changed by sensor remote control (order remote separately), will led lights on remote to turn on and off to confirm. See sensor instruction sheet on UHBS product page found on www.cooperlighting.com

Sensor Modes

	Brightness	Sensitivity	Hold Time	Daylight Sensor	Stand-by Dim	Stand-by Period
MODE 1 (Default)	100%	75%	5 min	Disabled	30%	30 min
MODE 2	100%	75%	1 min	Disabled	30%	∞
MODE 3	100%	75%	5 min	30LUX	30%	30 min
MODE 4	100%	75%	1 min	(30LUX/300LUX)	30%	∞