

# ENTRANCE MONUMENT SIGN

Wildwood Lane Condominium Association PUD  
R-2 Residential District

## sheet index

A01	Wildwood Lane site plan
A02	sign location plan
A03	sign elevations
A04	sign details
A05	reference imagery
A06	reference imagery
A07	reference imagery
A08	utilities overlay
A09	Wildwood Ln PUD entrance
A10	Wildwood Ln PUD photo
A11	Summer Grove PUD entrance
A12	Summer Grove PUD photo
A13	Wilderness Ridge PUD entrance
A14	Wilderness Ridge PUD photo

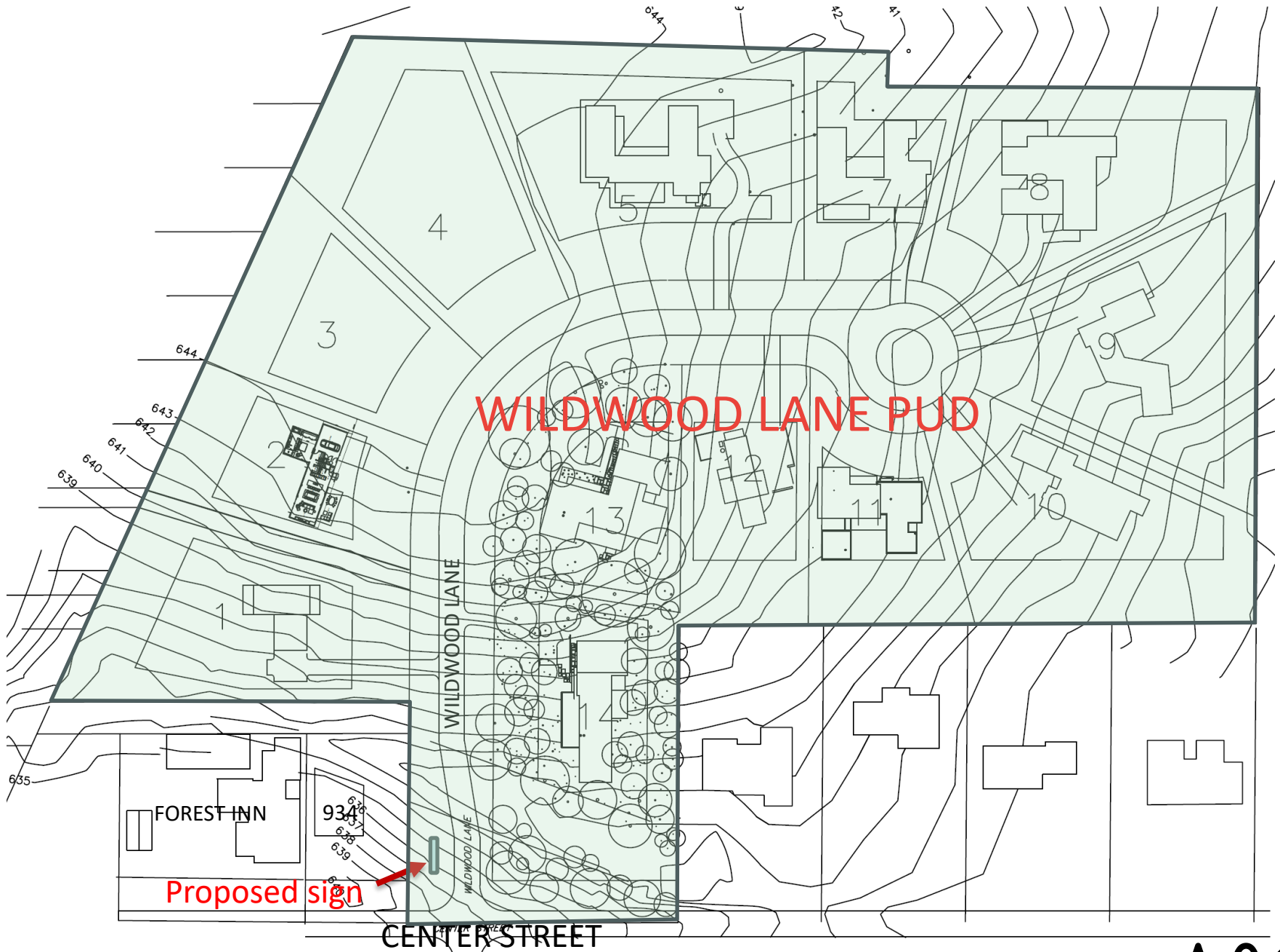
ENTRANCE MONUMENT SIGN  
WILDWOOD LN. CONDOMINIUM ASSOC.  
REV: 7.29.2025

**LAUTERBACH  
ARCHITECTURE LLC**

13 WILDWOOD LANE  
DOUGLAS, MI 49406  
LAUTERBACHARCHITECTURE.COM

MARK W. LAUTERBACH, AIA  
312.493.1950

**A00**



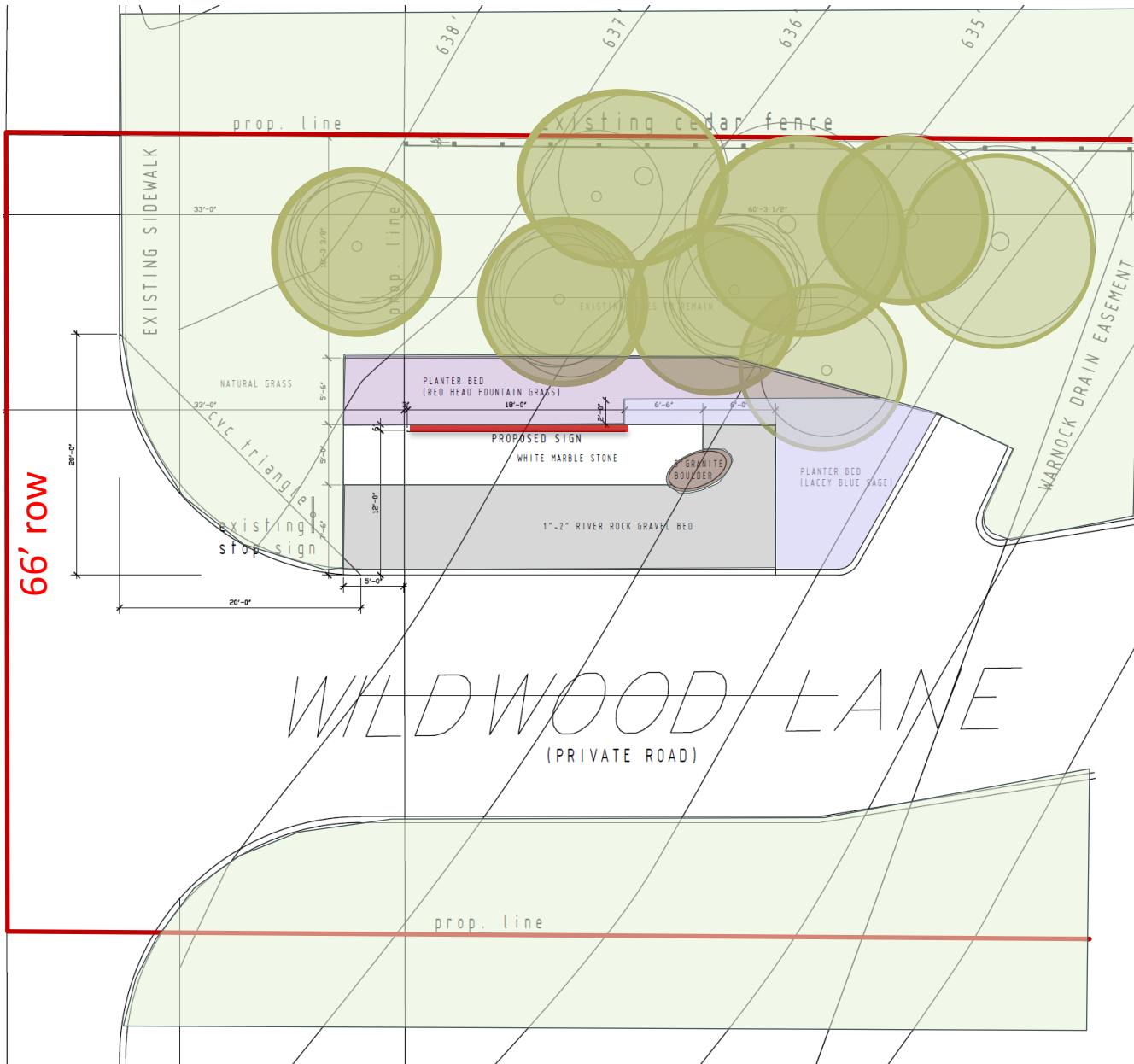
**WILDWOOD LANE PUD**

**Proposed sign**

**CENTER STREET**

CENTER STREET

66' row



WILDWOOD LANE  
(PRIVATE ROAD)

# SITE PLAN

SCALE: 1/8" = 1'-0"  
N

ENTRANCE MONUMENT SIGN  
WILDWOOD LN. CONDOMINIUM ASSOC.  
REV: 7.29.2025

## LAUTERBACH ARCHITECTURE LLC

13 WILDWOOD LANE  
DOUGLAS, MI 49406  
LAUTERBACHARCHITECTURE.COM

MARK W. LAUTERBACH, AIA  
312.493.1950

# A02

centerline of road  
CENTER STREET

sidewalk



29'-7"



4'-11"

18'-0"

WILDWOOD

1/4" CORTEN STEEL PLATE  
WITH 12" HIGH ROUTED  
OUT LETTERING  
4-5' DIAMETER  
GRANITE BOULDER

EXISTING CEDAR FENCE  
AND TREES BEYOND

50' WARNOCK DRAIN EASEMENT

# EAST ELEVATION

SCALE: 1/8" = 1'-0"

ENTRANCE MONUMENT SIGN  
WILDWOOD LN CONDOMINIUM ASSOC.  
REV: 7.29.2025

## LAUTERBACH ARCHITECTURE LLC

13 WILDWOOD LANE  
DOUGLAS, MI 49406  
LAUTERBACHARCHITECTURE.COM

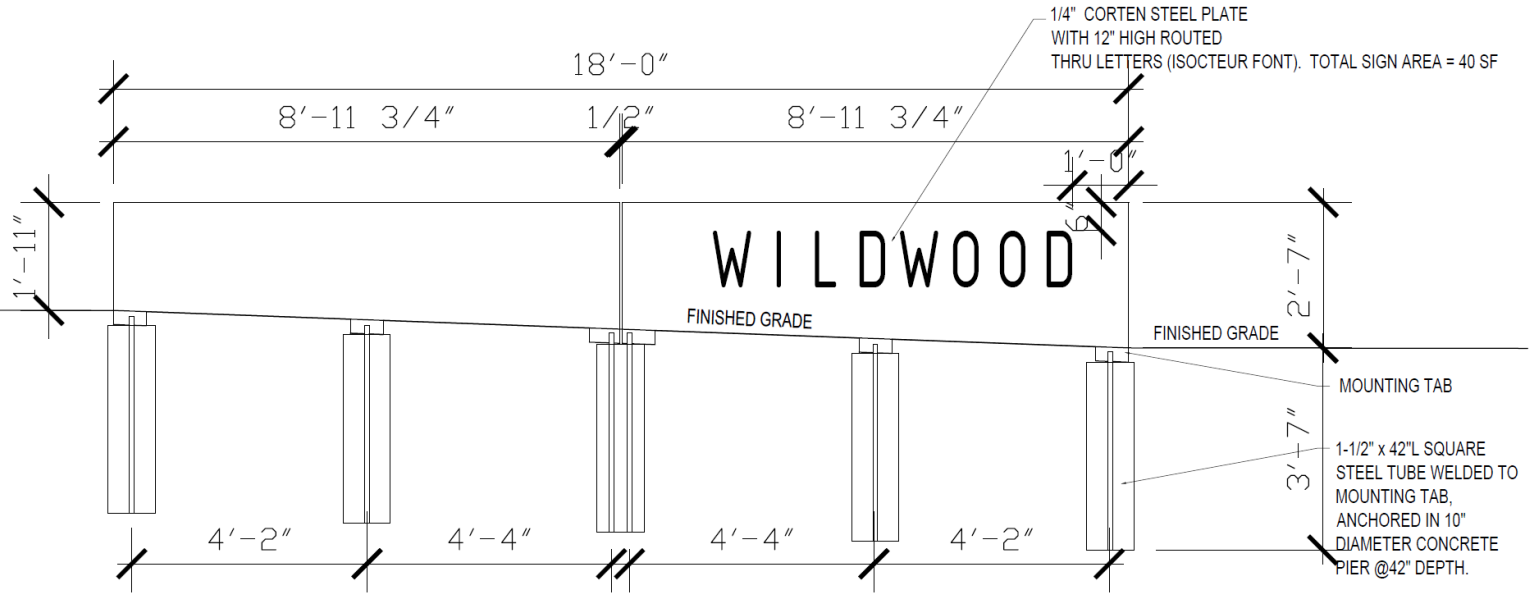
MARK W. LAUTERBACH, AIA  
312.493.1950

# A03



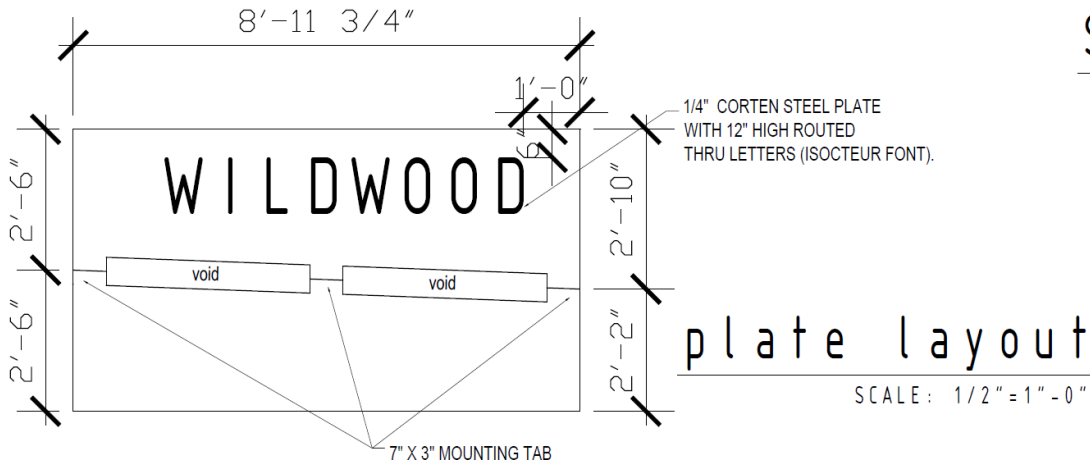


FINISHED GRADE



# SIGN ELEVATION

SCALE: 1/2" = 1" - 0"



ENTRANCE MONUMENT SIGN  
WILDWOOD LN. CONDOMINIUM ASSOC.  
REV: 7.29.2025

**LAUTERBACH  
ARCHITECTURE LLC**

13 WILDWOOD LANE  
DOUGLAS, MI 49406  
LAUTERBACHARCHITECTURE.COM

MARK W. LAUTERBACH, AIA  
312.493.1950

**ENTRANCE SIGN** QTY: 1

A04



CORTEN STEEL PLATE WITH  
ROUTED OUT LETTERS



A05





GRANITE BOULDER, RIVER ROCK  
GRAVEL, WHITE MARBLE STONE,  
OPEN CEDAR SLAT FENCE, METAL  
EDGING





LACEY BLUE SAGE



RED HEAD FOUNTAIN GRASS

66' WIDE RIGHT-OF-WAY

EXISTING SIDEWALK

PROPERTY LINE

PROPOSED SIGN

WARNOCK DRAIN EASEMENT

WILDWOOD LANE

Water  
Sewer  
Gas  
Electric

# UTILITIES

SCALE: 1/8" = 1" - 0"

ENTRANCE MONUMENT SIGN  
WILDWOOD LN. CONDOMINIUM ASSOC.  
REV: 7.29.2025

## LAUTERBACH ARCHITECTURE LLC

13 WILDWOOD LANE  
DOUGLAS, MI 49406  
LAUTERBACHARCHITECTURE.COM

MARK W. LAUTERBACH, AIA  
312.493.1950

# A08

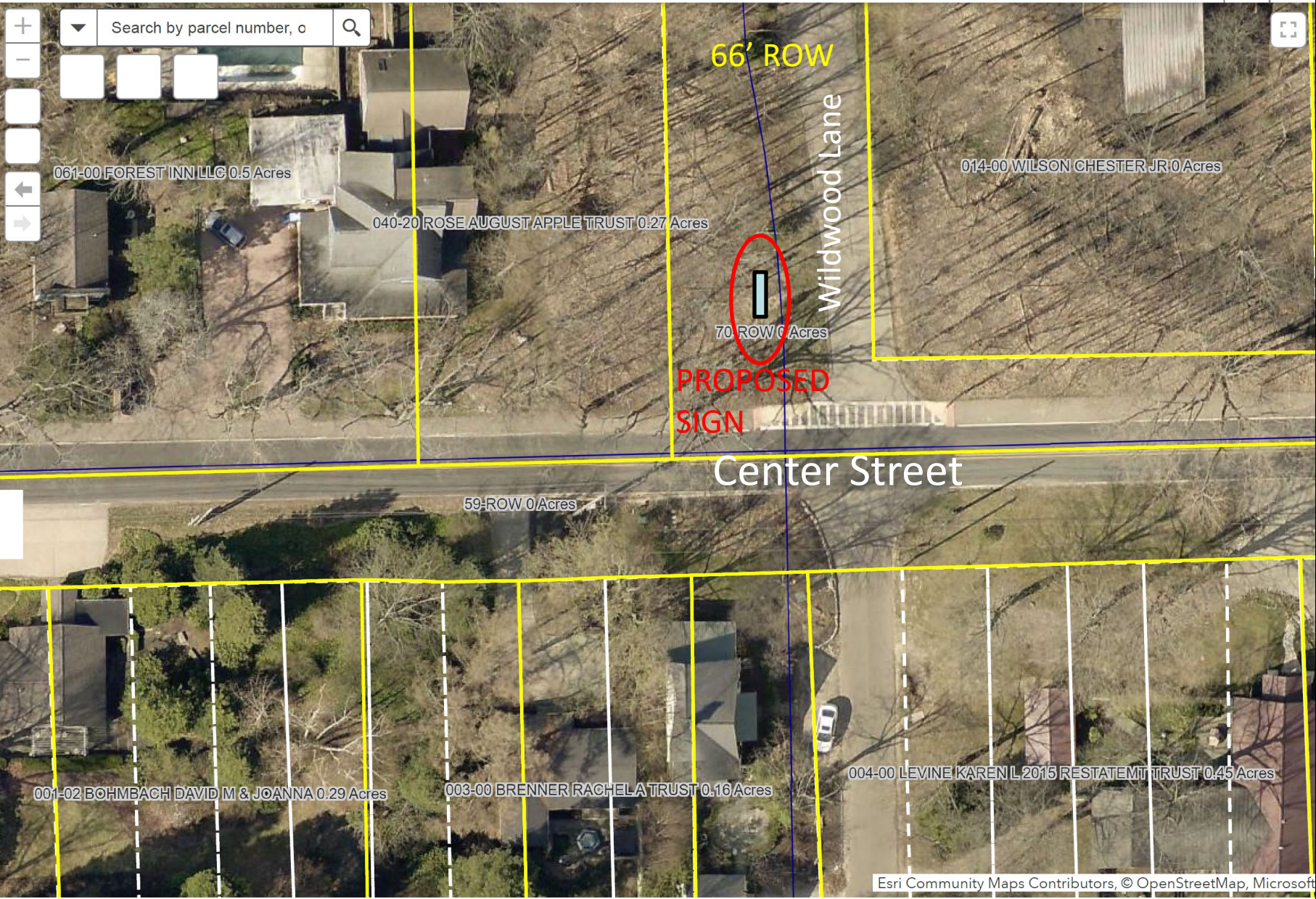
PROPERTY LINE

STREET





Search by parcel number, o



66' ROW

Wildwood Lane

061-00 FOREST INN LLC 0.5 Acres

040-20 ROSE AUGUST APPLE TRUST 0.27 Acres

014-00 WILSON CHESTER JR 0 Acres

70' ROW 0 Acres

PROPOSED SIGN

Center Street

59-ROW 0 Acres

001-02 BOHMBACH DAVID M & JOANNA 0.29 Acres

003-00 BRENNER RACHELA TRUST 0.16 Acres

004-00 LEVINE KAREN L 2015 RESTATEMENT TRUST 0.45 Acres

Esri Community Maps Contributors, © OpenStreetMap, Microsoft

40ft

# WILDWOOD LANE PUD A09





WILDWOOD LANE PUD A10





# SUMMER GROVE PUD A11





SUMMER GROVE PUD A12





40ft

# WILDERNESS RIDGE PUD

# A13





WILDERNESS RIDGE PUD A14