



MEMORANDUM

Douglas Downtown Development Authority

Wednesday, January 24th, 2024

TO: The City of the Village of Douglas Downtown Development Authority

FROM: Lisa Nocerini, City Manager

SUBJECT: Gateway Signage

Project Director, Jenny Pearson, at the direction of the DDA has been working with Praise Sign to obtain a quote to replace the existing sign on the corner of Blue Star Highway and Center Street with a new sign.

Please see the attached estimates to complete this project.



Praise Sign

3404 Busch Drive Suite F
Grandville, Michigan 49417

(616) 827-7271
james@praisesign.com

Estimate

Estimate Number: 002565
Estimate Date: Dec 11, 2023
Estimate Expires: Jan 10, 2024

Customer

Jennifer (Additional Wayfinding Signs - City of Douglas)
Douglas@douglasmi.gov

Project

002565 - Additional Wayfinding Signs - City of Douglas (Jennifer)

All pricing contained within this estimate includes our best initial interpretation of each sign type and it's unique specifications. These costs are budgetary in nature pending a final review of the design package and materials specified. Final quantities selected will have a major impact on the estimated values. Also, please know that our staff is capable of performing value engineering ideas specific to any sign type currently proposed. We have the flexibility to partner with you in every phase of this process and look forward to all future collaborations.

Includes (1) design/submittal and (1) revision. Additional designs available for \$150 each. Assumes high quality vector artwork in .EPS/.AI/.PDF will be provided.

50% net deposit due upon signing. Note that all credit card transactions are subject to a 3% processing fee.

DESCRIPTION	PRICE
-------------	-------

Directional Kiosk	\$6,082.02
--------------------------	------------

Description

- One (x1) - Kiosk style free-standing sign structure
- All aluminum construction with aluminum plate panels & tubular aluminum supports
- All surfaces primed & painted per submitted rendering
- Face panels are painted two color and receive applied vinyl text & graphics
- Header text & Yellow graphic are applied vinyl
- Lower area is a custom shape reflective white vinyl
- Map graphics are a digital print on white vinyl and laminated to a 1mm PVC panel
- Map insert to be loaded into a 40" high x 30" wide lockable metal frame, painted white
- Frame is permanently attached with VHB adhesive. Insert is fully changeable as required
- Sign is single sided, approximately 7'-0" high x 3'-10" wide x 4" deep
- Client to furnish individual map vectored art layouts
- Includes installation per engineered drawings with direct burial mounting

Wayfinding item

~~Facility Sign~~

\$4,613.55

~~Description~~

Wayfinding item

- One (x1) - free-standing facility ID pylon style sign structure
- Aluminum construction with aluminum plate panels & tubular aluminum supports
- Signs are to be single sided, approximately 3'-5" high x 4'-10" wide x 5" deep
- All surfaces primed & painted per submitted rendering
- Header text, body text & Yellow graphic swoosh are applied vinyl on front face only
- Back face is painted solid Blue
- Includes Installation per engineered drawings direct burial

Trail Sign

\$3,348.50

Description

- Manufacture (1) 1'-2-7/16" W x 4' H x 2" deep Pedestal Sign to read "BAYOU" with logo and misc. information
- CNC routed aluminum construction, 2" square aluminum tubing and rigid 1/4" aluminum faces
- All surfaces primed & painted per submitted rendering
- Face panels are painted two color and receive applied vinyl text
- Bottom Yellow wave is applied vinyl
- Upper area is reflective White vinyl text and logo
- Bottom Grey Base to be 6" aluminum tube construction
- Signs are to be double sided
- Includes installation per engineered drawings direct burial
- **OPTION: Concrete footing & formed cement base - Add \$780.00**

Wayfinding Item

Schultz Park Sign

\$7,891.51

Description

- Manufacture (1) 6' W x 3'-8" H x 11" deep, Monument Sign to read "Schultz Park" with Logo & dots (non-illuminated)
- CNC routed aluminum construction, 2" square aluminum tubing and rigid 1/4" aluminum faces
- Radius wave top and 1/4" alum CNC Routed color wave accents on all (4) sides flush mounted to aluminum cabinet
- 1/2" alum plate letters and dots with 1/2" standoffs to read "Schultz Park" "DOTS" on face side only
- All surfaces primed & painted per submitted rendering
- Printed Gradient Wave Graphic at the top of sign covered by 1/4" alum accent wave cutouts
- Bottom Grey Base to be 4" aluminum tube construction
- Includes installation per engineered drawings direct burial
- **OPTION: Concrete footing and base - Add \$950.00**

Wayfinding Item

Downtown Douglas Directional Medium Size

\$19,894.29

Description

- Manufacture (1) 9' W x 3' H x 12" deep, Illuminated Directional Sign to read "DOWNTOWN DOUGLAS" with Text, Multi-Color Arrows and Logo all halo lit with RGB, LED modules for desired seasonal color selections
- CNC routed aluminum construction, 2" square aluminum tubing and rigid .100" aluminum faces
- Radius wave top is 1/4" alum CNC routed color wave accent. All (4) sides to have flush mounted 1" deep color wave accents mounted to aluminum cabinet (4)sides
- All surfaces primed & painted per submitted rendering
- Face panels are painted four color per rendering
- Printed Gradient Wave Graphic at the top of sign covered by 1" acrylic accent wave cutouts on all (4) sides
- Includes installation per engineered drawings direct burial

Option #1: Construction of a concrete base, 2 tiered design TBD - \$17,500.00 approximated

Option #2: Retrofit existing electric service run to include exterior outlets to be mounted onto new base design - \$135.00/hr + materials

Option for 1/2" Stud Mounted Lettering

- "Downtown Douglas and Multi-Colored Arrows" option for 1/2" deep alum plate letters with 1/2" standoffs (to match lettering style of Schultz Park)
- Option Cost - (+\$1165)

Downtown Douglas Directional Large Size

\$26,375.17

Description

- Manufacture (1) 14' W x 5' H x 16" deep, Illuminated Directional Sign to read "DOWNTOWN DOUGLAS" with Text, Multi-Color Arrows and Logo all halo lit with RGB, LED modules for color selection
- CNC routed aluminum construction, 2" square aluminum tubing and rigid .100" aluminum faces
- Radius wave top is 1/4" alum CNC routed color wave accent. All (4) sides to have flush mounted 1" deep color wave accents mounted to aluminum cabinet (4)sides
- All surfaces primed & painted per submitted rendering
- Face panels are painted four color per rendering
- Printed Gradient Wave Graphic at the top of sign covered by 1" acrylic accent wave cutouts on all (4) sides
- Includes installation per engineered drawings direct burial

Option #1: Construction of a concrete base, 2 tiered design TBD - \$36,500.00 approximated

Option #2: Retrofit existing electric service run to include exterior outlets to be mounted onto new base design - \$135.00/hr + materials

Option for 1/2" Stud Mounted Lettering

- "Downtown Douglas and Multi-Colored Arrows" option for 1/2" deep alum plate letters with 1/2" standoffs (to match lettering style of Schultz Park)
- Option Cost - (+\$1,995)

Sign Engineering

\$4,855.00

Engineering of Signage

- Engineer (6) City of Douglas Wayfinding and Directional Signs of Various Styles
- Includes proper structural wind load calculations and installation specifications

Add: Sign Type "B"

\$2,537.48

Description

B - One Sided

Qty: 1

- (1) 4"x4"x.25" aluminum posts, 12'3" tall AG w/ 42" burial depth, black/dark gray
- (1) CNC routed .125" thick aluminum panels with decorative accents at top, bottom, and side, 4'1" tall x 3'10" wide
 - Panels and decorative accent to be single routed piece
- (1) matching CNC routed .125" thick decorative accent to be installed on other side of post, 4'1" tall x 1'1" wide (at top)
- Digitally printed vinyl graphics over reflective substrate
- 1"x3" u-channel supports at top and bottom with fabricated end caps
- 3"x3" angle brackets to fasten aluminum sign panel to u-channel
- Single piece panels to be painted and masked two colors - decorative accent and front of sign panel to be dark gray, back of sign panel to be blue
- Includes mobilization & on-site installation

Wayfinding Item

Subtotal \$75,597.52

Total \$75,597.52

signature

signed by

date

Letters are approximately 12" high



1' Depth
Double Sided



Letters are approximately 18" high



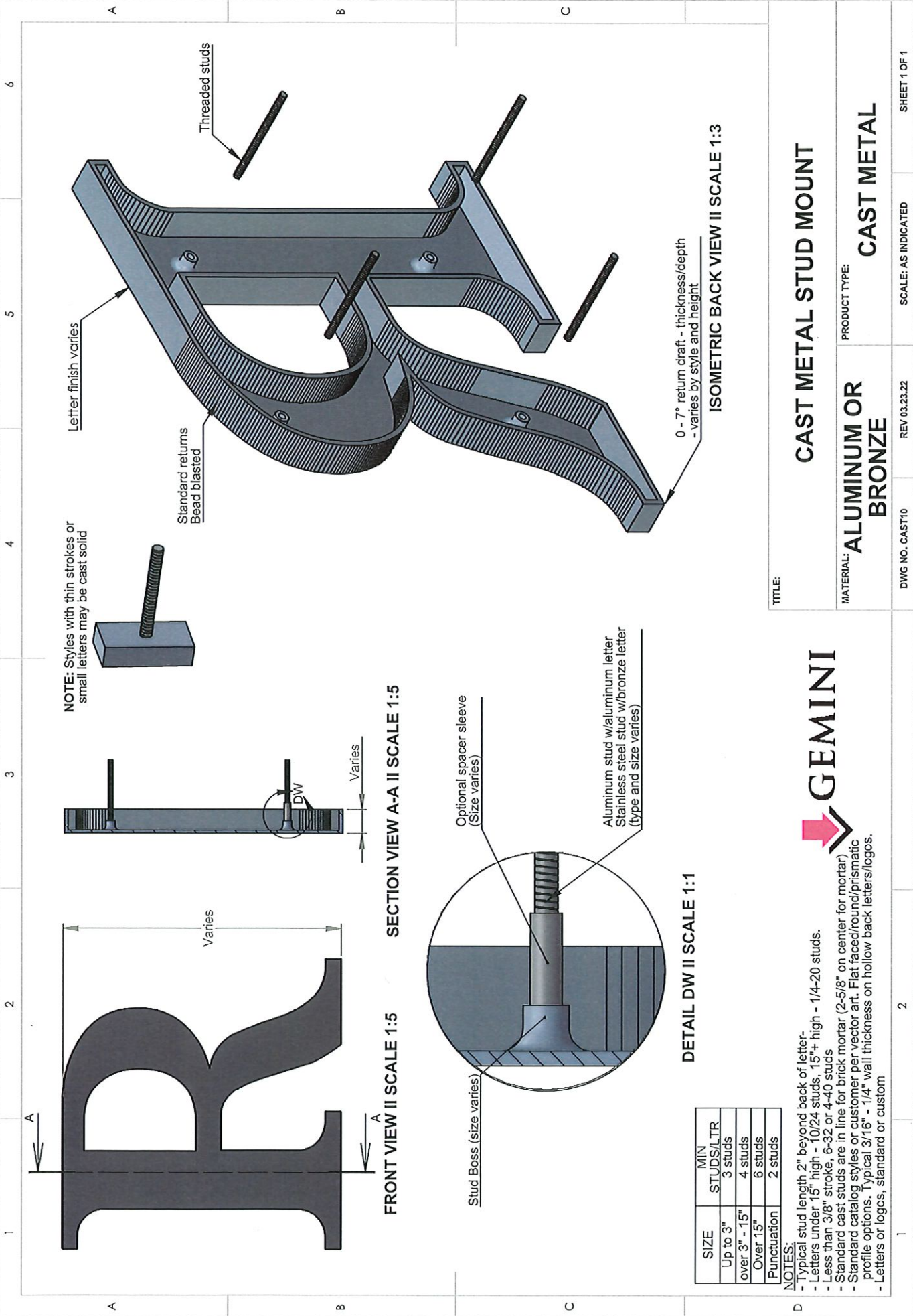
1' Depth
Double Sided

Letters are approximately 18" high

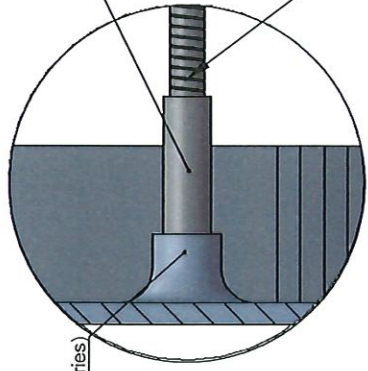
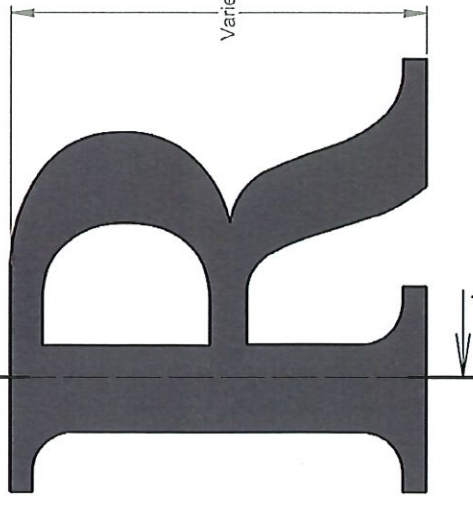
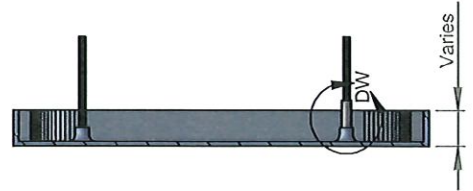
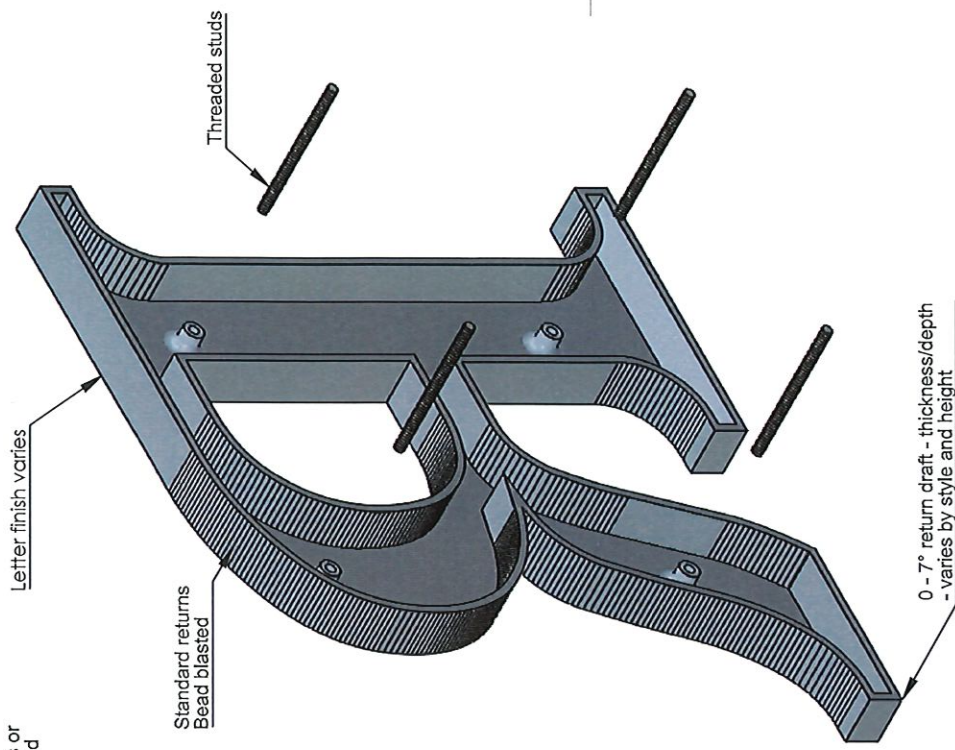




RAIDER FIELDHOUSE



NOTE: Styles with thin strokes or small letters may be cast solid



SIZE	MIN STUDS/LTR
Up to 3"	3 studs
over 3" - 15"	4 studs
Over 15"	6 studs
Punctuation	2 studs

NOTES:

- Typical stud length 2" beyond back of letter-
- Letters under 15" high - 10/24 studs, 15"+ high - 1/4-20 studs.
- Less than 3/8" stroke, 6-32 or 4-40 studs
- Standard cast studs are in line for brick mortar (2-5/8" on center for mortar)
- Standard catalog styles or customer per vector art. Flat faced/round/prismatic profile options. Typical 3/16" - 1/4" wall thickness on hollow back letters/logos.
- Letters or logos, standard or custom

TITLE:

CAST METAL STUD MOUNT

MATERIAL: **ALUMINUM OR BRONZE**

PRODUCT TYPE:

CAST METAL

DWG NO. CAST10

REV 03.23.22

SCALE: AS INDICATED

SHEET 1 OF 1

