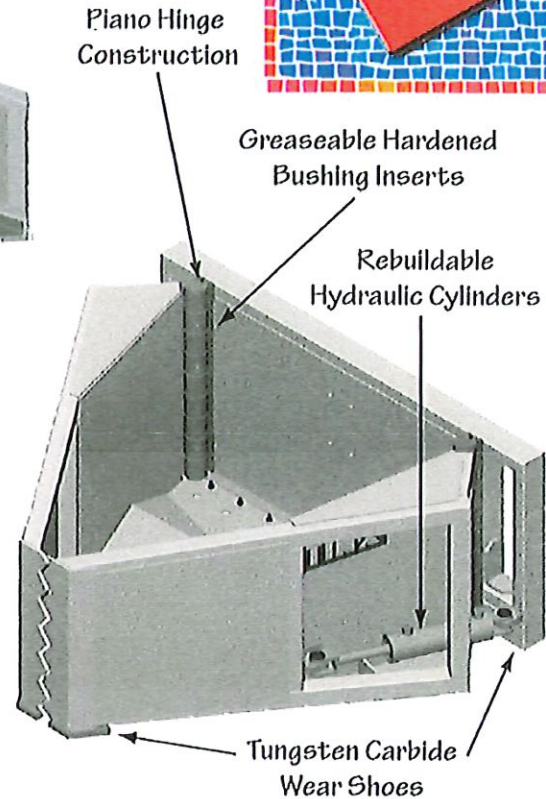
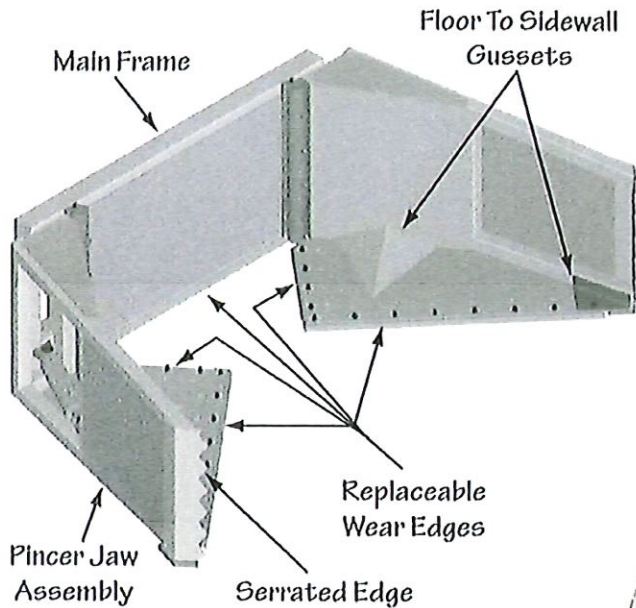






# DESIGN FEATURES



## Tink 520 Claw

A special loader bucket that scoops leaves and loose garden waste out of the gutter and into disposal trucks at lower costs. The Claw can be mounted on most  $\frac{3}{4}$  to  $1\frac{1}{2}$  yard wheel loaders.

**The Pincer Jaw Assembly** is constructed of structural steel tubing welded together to form rigid rectangular frames. The framework is covered and strengthened with steel side panels. The serrated front edges assist in grasping and pinching materials.

**Wear Provisions** The underside of the Claw, which makes frequent contact with asphalt and other hard surfaces, is equipped with replaceable tungsten carbide wear shoes and hard steel blades that absorb a majority of the abrasion and wear. Tungsten carbide is an extremely hard material that is incorporated into the wear shoes to combine the highest wear and abrasion resistance possible with strength and impact resistance.

**Plano-Hinge Construction** The pincer jaw assembly is attached to the main frame with a 3 inch diameter plano-hinge that features a  $1\frac{1}{2}$  inch pin that won't shear on impact. More importantly the large diameter provides a vast amount of wear surface to promote long lasting life. The hinges include greaseable hardened bushing inserts.

**Hydraulic System** The rebuildable twin cylinders that open and close the Claw are capable of developing pinch force necessary to grasp and hold materials too long or bulky to fit within the pincer bucket. The cylinders have a 3 inch bore, an 8 inch stroke and a  $1\frac{1}{4}$  inch chrome hardened rod. Mechanical stops prevent cylinder damage by not allowing the cylinders to over extend during the Claw's duty cycle.

When the pincer jaws make contact with an immovable object the hydraulic cross over relief valve senses the obstruction a diverts the fluid away from the cylinders. This automatic action minimizes cylinder damage and premature hydraulic system failure.

The flow divider distributes an equal amount of hydraulic fluid to each cylinder ensuring that the pincer jaws operate evenly and simultaneously.

The 520 Claw hydraulic system is designed for machines having 8 to 50 gpm and 1500 to 3800 psi.

Prices and specifications are subject to change without notice.

TINK, Inc. • 2361 Durham Dayton Hwy • Durham CA 95938 • 800-824-4163 • © 2002

# TINK BUCKETS



Load A  
Compactor Truck



Efficient Collection  
Of Leaves & Brush



Load An  
Open Top Truck



**TINK, INC.**

TITLE 520 Claw

## Cody Carpenter

---

**From:** Jack LaForge <jack.laforge@altg.com>  
**Sent:** Wednesday, January 31, 2024 6:35 AM  
**To:** Cody Carpenter  
**Subject:** L60 & Attachment pricing  
**Attachments:** EQ0323757\_L60H2\_CITY OF DOUGLAS\_SOURCEWELL PRICING\_JL.pdf; EQ0323757\_L60H2\_CITY OF DOUGLAS\_SPECS\_JL.pdf

Good Morning Cody,

Attached is a Sourcewell quote on a new L60H. We currently have this unit in stock.

The Tink 520 claw with skid steer mount is \$15,775.  $\times 2 = \$31,550$   
~~The Tink 720 claw with Volvo coupler is \$20,500.~~

Let me know if you need anything else.

Thanks,

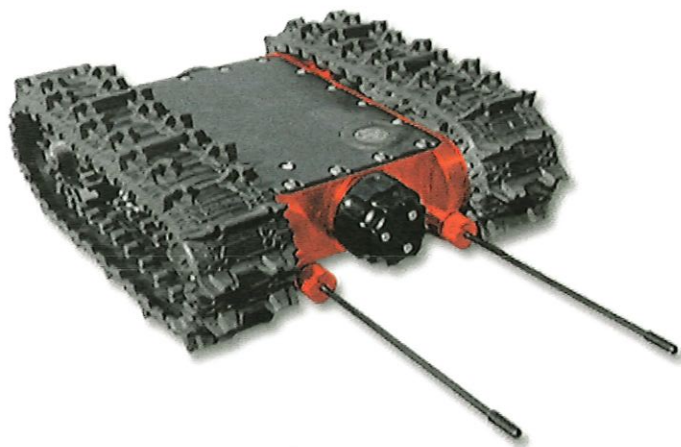


**JACK LAFORGE**  
COMPACT EQUIPMENT SPECIALIST  
8840 Byron Commerce Dr. SW  
Byron Center, MI 49315  
(616) 878-7450  
Mobile: (616) 551-8421  
jack.laforge@altg.com  
www.altg.com

"Fostering Customers for Life"









**THE MACHINE LAB, INC.**  
 1281 E. Magnolia, UnitD  
 Suite 193  
 Fort Collins, CO 80524  
 Phone: 970-568-9812

**Quote For:**

City of Douglas MI  
 Greg Salinas

Customer Phone 269-286-2328

**Ship To**

City of Douglas, MI  
 Greg Salinas

**Quote**

Date 2/2/2024

Quote # 20371

Customer Contact	Customer E-mail	P.O. No.	Payment Terms	Shipping Method	Ship Date
	gsalinas@DouglasMI.gov		Net 15	Fed Ex	4 wks frm PO

Item	Description	Qty	Price	Total
MicroTraxx	MicroTraxx small inspection robot system.	1	8,500.00	8,500.00
Shipping and Handl...	Fed Ex Ground, Insured	1	78.35	78.35

**Subtotal** \$8,578.35

**Sales Tax (8.25%)** \$0.00

**Total** \$8,578.35

**E-mail**

zack@themachinelab.com

**Web Site**

www.themachinelab.com





## Truck & Trailer Specialties

3286 Hanna Lake Ind. Park Dr.  
Dutton, MI. 49316  
Phone 616-698-8215, Fax 616-698-0972

Village of Douglas  
Attn: Rick Zoet  
Phone: 269-686-6243  
April 13, 2023



State Contract Hyperlink No: [200000000034](#)

### Equipment Quotation

Chassis info: S/A RDS

#### Supply and install Monroe tailgate spreader for summer operations including:

00189893-A model MS10318 cross conveyor for RDS application  
Mild steel construction, powder coated Orange in color  
18" hi-temp straight belt with flexible stainless splicing  
Right hand drive  
Caged design drive and idler pulleys  
Poly support rollers with stainless shaft  
Heavy-duty bearing and belt adjustment  
Includes 00057849-A Berming chute kit  
Install all necessary hoses with stainless steel quick couplings

**Above Installed Price: \$11,523.00 ea.**

**Lead time: 300 days ARO**

**Payment Terms: Net 30**

**Pricing good for: 30 days**

Thank you for the opportunity to quote.

Submitted by:  
Chad Veenstra / Mike Bouwman



Prepared for:  
City of Douglas  
86 W Center Street  
Douglas, MI 49406  
Phone: 269-857-2763

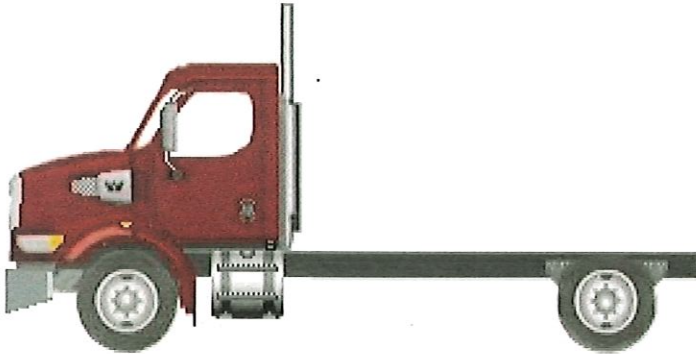
Prepared by:  
Eric Schaltz  
FREIGHTLINER OF GRAND  
RAPIDS  
5285 CLAY AVENUE S.W.  
WYOMING, MI 49548  
Phone: 616-531-6600

*A proposal for*  
**City of Douglas**

*Prepared by*  
**FREIGHTLINER OF GRAND RAPIDS**  
*Eric Schaltz*

*Feb 02, 2024*

**Western Star 47X**



Components shown may not reflect all spec'd options and are not to scale

Application Version 11.9.502  
Data Version PRL-28X.027  
City of Douglas 47X Plow Chassis

02/02/2024 8:16 AM

Page 1 of 22

14

Prepared for:  
 City of Douglas  
 86 W Center Street  
 Douglas, MI 49406  
 Phone: 269-857-2763

Prepared by:  
 Eric Schaltz  
 FREIGHTLINER OF GRAND  
 RAPIDS  
 5285 CLAY AVENUE S.W.  
 WYOMING, MI 49548  
 Phone: 616-531-6600

## S P E C I F I C A T I O N   P R O P O S A L

Data Code	Description	Weight Front	Weight Rear
<b>Price Level</b>			
PRL-28X	WST 47X/49X PRL-28X (EFF:MY25 ORDERS)		
<b>Data Version</b>			
DRL-027	SPECPRO21 DATA RELEASE VER 027		
<b>Vehicle Configuration</b>			
001-470	WESTERN STAR 47X	9,050	6,525
004-225	2025 MODEL YEAR SPECIFIED		
002-004	SET BACK AXLE - TRUCK		
019-006	TRAILER TOWING PROVISION AT END OF FRAME WITH SAE J560	10	10
003-001	LH PRIMARY STEERING LOCATION		
<b>General Service</b>			
AA1-003	TRUCK/TRAILER CONFIGURATION		
AA6-002	DOMICILED, USA (EXCLUDING CALIFORNIA AND CARB OPT-IN STATES)		
99D-027	EPA EMISSIONS CERTIFICATION FOR REGISTRATION OUTSIDE CARB STATES - EPA CLEAN IDLE (INCLUDES 6X4 INCH LABEL ON LOWER FORWARD OF DRIVER DOOR)		
AF2-998	NONE		
A85-010	UTILITY/REPAIR/MAINTENANCE SERVICE		
A84-1GM	GOVERNMENT BUSINESS SEGMENT		
AA4-011	FIXED LOAD COMMODITY		
AA5-002	TERRAIN/DUTY: 100% (ALL) OF THE TIME, IN TRANSIT, IS SPENT ON PAVED ROADS		
AB1-008	MAXIMUM 8% EXPECTED GRADE		
AB5-001	SMOOTH CONCRETE OR ASPHALT PAVEMENT - MOST SEVERE IN-TRANSIT (BETWEEN SITES) ROAD SURFACE		
995-1A5	WESTERN STAR VOCATIONAL WARRANTY		
A66-99D	EXPECTED FRONT AXLE(S) LOAD : 16000.0 lbs		

15

Prepared for:  
 City of Douglas  
 86 W Center Street  
 Douglas, MI 49406  
 Phone: 269-857-2763

Prepared by:  
 Eric Schaltz  
 FREIGHTLINER OF GRAND  
 RAPIDS  
 5285 CLAY AVENUE S.W.  
 WYOMING, MI 49548  
 Phone: 616-531-6600

Data Code	Description	Weight Front	Weight Rear
A68-99D	EXPECTED REAR DRIVE AXLE(S) LOAD : 23000.0 lbs		
A63-99D	EXPECTED GROSS VEHICLE WEIGHT CAPACITY : 39000.0 lbs		
A70-99D	EXPECTED GROSS COMBINATION WEIGHT : 80000.0 lbs		
<b>Truck Service</b>			
AA3-073	BELLY PLOW BODY WITH HIGH GROUND CLEARANCE		
AF3-2A8	TRUCK AND TRAILER SPECIALTIES INC.		
<b>Engine</b>			
101-3BU	CUM L9 370 HP @ 2100 RPM; 2100 GOV RPM, 1250 LB-FT @ 1200 RPM	-850	-70
<b>Electronic Parameters</b>			
79A-065	65 MPH ROAD SPEED LIMIT		
79K-013	PTO MODE ENGINE RPM LIMIT - 1600 RPM		
79P-032	PTO RPM CONTROL WITH STEERING WHEEL SWITCHES		
79W-024	CRUISE CONTROL BUTTON PTO CONTROL		
79X-023	PTO SPEED 1 SETTING - 600 RPM		
80S-001	PTO 1, DASH SWITCH, STATIONARY OPERATION		
80V-001	ENGINE MOUNT PTO, DASH SWITCH ENGAGES PTO MODE, STATIONARY OPERATION		
<b>Engine Equipment</b>			
99C-024	EPA 2010/GHG 2024 CONFIGURATION		
13E-001	STANDARD OIL PAN		
105-001	ENGINE MOUNTED OIL CHECK AND FILL		
014-112	SIDE OF HOOD AIR INTAKE WITH ENGINE MOUNTED HIGH CAPACITY AIR CLEANER, PASSIVE PRECLEANER, WITH INSIDE/OUTSIDE AIR AND SNOW DOOR	10	
124-1DJ	DR 12V 160 AMP 36-SI BRUSHLESS QUADRAMOUNT PAD ALTERNATOR WITH REMOTE BATTERY VOLT SENSE		
292-222	(3) DTNA GENUINE, HIGH TEMP AGM STARTING AND CYCLING, MIN 2775CCA, 570RC, THREADED STUD BATTERIES		
290-1AC	PASSENGER SEAT BATTERY BOX VENTED TO OUTSIDE OF CAB		
282-013	BATTERY BOX MOUNTED UNDER PASSENGER SEAT		



Prepared for:  
 City of Douglas  
 86 W Center Street  
 Douglas, MI 49406  
 Phone: 269-857-2763

Prepared by:  
 Eric Schaltz  
 FREIGHTLINER OF GRAND  
 RAPIDS  
 5285 CLAY AVENUE S.W.  
 WYOMING, MI 49548  
 Phone: 616-531-6600

Data Code	Description	Weight Front	Weight Rear
291-017	WIRE GROUND RETURN FOR BATTERY CABLES WITH ADDITIONAL FRAME GROUND RETURN		
289-006	PLASTIC BATTERY BOX COVER		
293-058	POSITIVE LOAD DISCONNECT WITH CAB MOUNTED CONTROL SWITCH MOUNTED OUTBOARD DRIVER SEAT	2	
295-029	POSITIVE AND NEGATIVE POSTS FOR JUMPSTART LOCATED ON FRAME NEXT TO STARTER	2	
107-032	CUMMINS TURBOCHARGED 18.7 CFM AIR COMPRESSOR WITH INTERNAL SAFETY VALVE		
152-041	ELECTRONIC ENGINE INTEGRAL SHUTDOWN PROTECTION SYSTEM		
128-032	C-BRAKE BY JACOBS WITH LOW/OFF/HIGH BRAKING DASH SWITCH		
016-1E2	RAISED RH OUTBOARD UNDER STEP MOUNTED HORIZONTAL AFTERTREATMENT SYSTEM ASSEMBLY WITH RH B-PILLAR MOUNTED VERTICAL TAILPIPE	-35	-30
28F-015	ENGINE AFTERTREATMENT DEVICE, AUTOMATIC OVER THE ROAD ACTIVE REGENERATION AND VIRTUAL REGENERATION REQUEST SWITCH IN CLUSTER AND DASH MOUNTED INHIBIT SWITCH		
239-032	11 FOOT 00 INCH (132 INCH+0/-5.9 INCH) EXHAUST SYSTEM HEIGHT		
233-017	STANDARD CURVE BRIGHT UPPER STACK(S)		
237-1F8	RH CURVED VERTICAL TAILPIPE B-PILLAR RAISED UNDER STEP MOUNTED AFTERTREATMENT SYSTEM		
23U-002	13 GALLON DIESEL EXHAUST FLUID TANK	9	3
23Z-007	POLISHED ALUMINUM DIAMOND PLATE WST DIESEL EXHAUST FLUID TANK COVER		
43X-013	LH DIESEL EXHAUST FLUID TANK LOCATED BACK OF CAB WITH MAXIMUM APPROVED LENGTH DEF LINES COILED AT TANK		
43Y-001	STANDARD DIESEL EXHAUST FLUID TANK CAP		
242-001	STAINLESS STEEL AFTERTREATMENT DEVICE/MUFFLER/TAILOPIPE SHIELD		
273-058	AIR POWERED ON/OFF ENGINE FAN CLUTCH		
276-001	AUTOMATIC FAN CONTROL WITHOUT DASH SWITCH, NON ENGINE MOUNTED		
122-1H4	DETROIT FUEL/WATER SEPARATOR WITH WATER IN FUEL SENSOR AND 12 VOLT PREHEATER	10	

Prepared for:  
 City of Douglas  
 86 W Center Street  
 Douglas, MI 49406  
 Phone: 269-857-2763

Prepared by:  
 Eric Schaltz  
 FREIGHTLINER OF GRAND  
 RAPIDS  
 5285 CLAY AVENUE S.W.  
 WYOMING, MI 49548  
 Phone: 616-531-6600

Data Code	Description	Weight Front	Weight Rear
110-003	CUMMINS SPIN ON FUEL FILTER		
118-001	FULL FLOW OIL FILTER		
266-109	1400 SQUARE INCH VOCATIONAL RADIATOR WITH PROTECTION PACKAGE	20	
103-039	ANTIFREEZE TO -34F, OAT (NITRITE AND SILICATE FREE) EXTENDED LIFE COOLANT		
171-007	GATES BLUE STRIPE COOLANT HOSES OR EQUIVALENT		
261-001	STANDARD CHARGE AIR COOLER PLUMBING		
270-016	RADIATOR DRAIN VALVE		
168-002	LOWER RADIATOR GUARD		
360-016	1310 ADAPTER FLANGE FOR FRONT PTO PROVISION	10	
361-100	NO REPTO, EXTENDED FLYWHEEL HOUSING, CUML9 REQUIRED FOR PACKAGING		
138-011	PHILLIPS-TEMRO 1000 WATT/115 VOLT BLOCK HEATER	4	
140-022	CHROME ENGINE HEATER RECEPTACLE MOUNTED UNDER LH DOOR		
132-004	ELECTRIC GRID AIR INTAKE WARMER		
155-055	DELCO 12V 39MT HD/OCP STARTER WITH THERMAL PROTECTION AND INTEGRATED MAGNETIC SWITCH	-45	
<b>Transmission</b>			
342-582	ALLISON 3000 RDS AUTOMATIC TRANSMISSION WITH PTO PROVISION	-230	-130
<b>Transmission Equipment</b>			
343-339	ALLISON VOCATIONAL PACKAGE 223 - AVAILABLE ON 3000/4000 PRODUCT FAMILIES WITH VOCATIONAL MODELS RDS, HS, MH AND TRV		
84B-012	ALLISON VOCATIONAL RATING FOR ON/OFF HIGHWAY APPLICATIONS AVAILABLE WITH ALL PRODUCT FAMILIES		
84C-023	PRIMARY MODE GEARS, LOWEST GEAR 1, START GEAR 1, HIGHEST GEAR 6, AVAILABLE FOR 3000/4000 PRODUCT FAMILIES ONLY		
84D-023	SECONDARY MODE GEARS, LOWEST GEAR 1, START GEAR 1, HIGHEST GEAR 6, AVAILABLE FOR 3000/4000 PRODUCT FAMILIES ONLY		
84E-000	PRIMARY SHIFT SCHEDULE RECOMMENDED BY DTNA AND ALLISON, THIS DEFINED BY ENGINE AND VOCATIONAL USAGE		

18

Prepared for:  
 City of Douglas  
 86 W Center Street  
 Douglas, MI 49406  
 Phone: 269-857-2763

Prepared by:  
 Eric Schaltz  
 FREIGHTLINER OF GRAND  
 RAPIDS  
 5285 CLAY AVENUE S.W.  
 WYOMING, MI 49548  
 Phone: 616-531-6600

Data Code	Description	Weight Front	Weight Rear
84F-000	SECONDARY SHIFT SCHEDULE RECOMMENDED BY DTNA AND ALLISON, THIS DEFINED BY ENGINE AND VOCATIONAL USAGE		
84G-000	PRIMARY SHIFT SPEED RECOMMENDED BY DTNA AND ALLISON, THIS DEFINED BY ENGINE AND VOCATIONAL USAGE		
84H-000	SECONDARY SHIFT SPEED RECOMMENDED BY DTNA AND ALLISON, THIS DEFINED BY ENGINE AND VOCATIONAL USAGE		
84N-200	FUEL SENSE 2.0 DISABLED - PERFORMANCE - TABLE BASED		
353-073	QUICKFIT BODY LIGHTING CONNECTOR UNDER CAB, WITH CAP		
34C-011	ELECTRONIC TRANSMISSION WIRING TO CUSTOMER INTERFACE CONNECTOR		
362-823	CUSTOMER INSTALLED CHELSEA 280 SERIES PTO		
363-001	PTO MOUNTING, LH SIDE OF MAIN TRANSMISSION ALLISON		
341-018	MAGNETIC PLUGS, ENGINE DRAIN, TRANSMISSION DRAIN, AXLE(S) FILL AND DRAIN		
345-003	PUSH BUTTON ELECTRONIC SHIFT CONTROL, DASH MOUNTED		
370-006	WATER TO OIL TRANSMISSION COOLER		
346-003	TRANSMISSION OIL CHECK AND FILL WITH ELECTRONIC OIL LEVEL CHECK		
35T-001	SYNTHETIC TRANSMISSION FLUID (TES-295 COMPLIANT)		

**Front Axle and Equipment**

400-1AA	MFS-16-143A 16,000# FL1 71.5 INCH KPI/3.74 INCH DROP SINGLE FRONT AXLE	130	
418-060	CONMET PRESET PLUS PREMIUM IRON FRONT HUBS	20	
402-030	MERITOR 16.5X6 Q+ CAST SPIDER CAM FRONT BRAKES, DOUBLE ANCHOR, FABRICATED SHOES	10	
403-002	NON-ASBESTOS FRONT BRAKE LINING		
419-023	CONMET CAST IRON FRONT BRAKE DRUMS		
427-001	FRONT BRAKE DUST SHIELDS	5	
409-006	FRONT OIL SEALS		
408-001	VENTED FRONT HUB CAPS WITH WINDOW, CENTER AND SIDE PLUGS - OIL		

Prepared for:  
 City of Douglas  
 86 W Center Street  
 Douglas, MI 49406  
 Phone: 269-857-2763

Prepared by:  
 Eric Schaltz  
 FREIGHTLINER OF GRAND  
 RAPIDS  
 5285 CLAY AVENUE S.W.  
 WYOMING, MI 49548  
 Phone: 616-531-6600

Data Code	Description	Weight Front	Weight Rear
405-017	HALDEX AUTOMATIC FRONT SLACK ADJUSTERS W/ SINGLE PIN CLEVIS		
536-103	SINGLE HIGH CAPACITY POWER STEERING GEAR, BENDIX, 14.6-18K	-18	
534-003	4 QUART POWER STEERING RESERVOIR	5	
40T-002	CURRENT AVAILABLE SYNTHETIC 75W-90 FRONT AXLE LUBE		
<b>Front Suspension</b>			
620-004	16,000# FLAT LEAF FRONT SUSPENSION	215	
619-002	THREADED SPRING PINS AND BUSHINGS - FRONT SUSPENSION		
410-001	FRONT SHOCK ABSORBERS		
<b>Rear Axle and Equipment</b>			
420-051	RS-23-160 23,000# R-SERIES SINGLE REAR AXLE		-2,260
450-060	CONMET PRESET PLUS PREMIUM IRON REAR HUBS		30
421-563	5.63 REAR AXLE RATIO		
424-001	IRON REAR AXLE CARRIER WITH STANDARD AXLE HOUSING		
386-094	RPL14 MERITOR SERVICE-FREE MAIN DRIVELINE WITH HALF ROUND (17T) YOKES	-60	-60
388-998	NO INTERAXLE (#3) DRIVELINE		
452-001	DRIVER CONTROLLED TRACTION DIFFERENTIAL - SINGLE REAR AXLE		20
878-018	(1) DRIVER CONTROLLED DIFFERENTIAL LOCK REAR VALVE FOR SINGLE DRIVE AXLE		
87B-008	INDICATOR LIGHT FOR EACH DIFFERENTIAL LOCKOUT SWITCH		
423-033	MERITOR 16.5X7 Q+ CAST SPIDER HEAVY DUTY CAM REAR BRAKES, DOUBLE ANCHOR, FABRICATED SHOES		
433-002	NON-ASBESTOS REAR BRAKE LINING		
434-012	BRAKE CAMS AND CHAMBERS ON REAR SIDE OF DRIVE AXLE(S)		
451-023	CONMET CAST IRON REAR BRAKE DRUMS		
425-002	REAR BRAKE DUST SHIELDS		5
440-006	REAR OIL SEALS		
426-100	WABCO TRISTOP D LONGSTROKE 1-DRIVE AXLE SPRING PARKING CHAMBERS		-20
428-031	HALDEX AUTOMATIC REAR SLACK ADJUSTERS WITH STAINLESS STEEL CLEVIS PINS		

20

Prepared for:  
 City of Douglas  
 86 W Center Street  
 Douglas, MI 49406  
 Phone: 269-857-2763

Prepared by:  
 Eric Schaltz  
 FREIGHTLINER OF GRAND  
 RAPIDS  
 5285 CLAY AVENUE S.W.  
 WYOMING, MI 49548  
 Phone: 616-531-6600

Data Code	Description	Weight Front	Weight Rear
41T-002	CURRENT AVAILABLE SYNTHETIC 75W-90 REAR AXLE LUBE		
42T-001	STANDARD REAR AXLE BREATHER(S)		
<b>Rear Suspension</b>			
622-1DC	26,000# FLAT LEAF SPRING REAR SUSPENSION WITH HELPER AND RADIUS ROD		140
621-114	8.5 INCH NOMINAL RIDE HEIGHT (430MM GLOBAL REFERENCE HEIGHT)		
431-001	STANDARD AXLE SEATS IN AXLE CLAMP GROUP		
623-005	FORE/AFT CONTROL RODS		
439-998	NO REAR SHOCK ABSORBERS		-30
<b>Pusher / Tag Equipment</b>			
429-998	NO PUSHER/TAG BRAKE DUST SHIELDS		
<b>Brake System</b>			
490-1AU	WABCO 4S/4M ABS WITH TRACTION CONTROL WITH ATC SHUT OFF SWITCH		
871-001	REINFORCED NYLON, FABRIC BRAID AND WIRE BRAID CHASSIS AIR LINES		
432-003	RELAY VALVE WITH 5-8 PSI CRACK PRESSURE, NO REAR PROPORTIONING VALVE		
480-040	WABCO SYSTEM SAVER 1200 HEATED AIR DRYER WITH PRESSURE CONTROL VALVE		
483-004	WABCO OIL COALESCING FILTER FOR AIR DRYER		
479-012	AIR DRYER MOUNTED UNDER HOOD		
460-008	STEEL AIR BRAKE RESERVOIRS MOUNTED INSIDE RAIL		
477-004	PULL CABLES ON ALL AIR RESERVOIR(S)		
<b>Trailer Connections</b>			
914-001	AIR CONNECTIONS TO END OF FRAME WITH GLAD HANDS FOR TRUCK AND NO DUST COVERS	5	5
296-010	PRIMARY CONNECTOR/RECEPTACLE WIRED FOR SEPARATE STOP/TURN, ABS CENTER PIN POWERED THROUGH IGNITION		
303-025	SAE J560 7-WAY PRIMARY TRAILER CABLE RECEPTACLE MOUNTED END OF FRAME		
<b>Wheelbase &amp; Frame</b>			
545-442	4425MM (174 INCH) WHEELBASE		

Prepared for:  
 City of Douglas  
 86 W Center Street  
 Douglas, MI 49406  
 Phone: 269-857-2763

Prepared by:  
 Eric Schaitz  
 FREIGHTLINER OF GRAND  
 RAPIDS  
 5285 CLAY AVENUE S.W.  
 WYOMING, MI 49548  
 Phone: 616-531-6600

Data Code	Description	Weight Front	Weight Rear
546-106	13.0MM X 87.0MM X 311.0MM STEEL FRAME (0.51X3.43X12.24 INCH) 120 KSI		410
552-021	1275MM (50 INCH) REAR FRAME OVERHANG		
55W-004	FRAME OVERHANG RANGE: 41 INCH TO 50 INCH		-40
549-002	24 INCH INTEGRAL FRONT FRAME EXTENSION	120	
AC8-99D	CALC'D BACK OF CAB TO REAR SUSP C/L (CA) : 109.06 in		
AE4-99D	CALC'D FRAME LENGTH - OVERALL : 293.35 in		
ZF1-99D	FRAME HEIGHT TOP FRONT UNLADEN : 44.11 in		
ZF2-99D	FRAME HEIGHT TOP FRONT LADEN : 41.1 in		
ZF3-99D	FRAME HEIGHT TOP REAR UNLADEN : 42.62 in		
ZF4-99D	FRAME HEIGHT TOP REAR LADEN : 28.68 in		
553-001	SQUARE END OF FRAME		
559-001	STANDARD WEIGHT ENGINE CROSSMEMBER		
561-015	STANDARD CAST ALUMINUM CROSSMEMBER BACK OF TRANSMISSION		
562-063	STANDARD CAST ALUMINUM MIDSHIP		
572-078	HEAVY DUTY REAR C-CHANNEL CROSSMEMBER, NON-TOWING		70
565-001	STANDARD SUSPENSION CROSSMEMBER		20
568-015	HEAVY DUTY REAR SUSPENSION CROSSMEMBER		30

#### Chassis Equipment

025-003	POLISHED ALUMINUM DIAMOND PLATE WST EQUIPMENT COVERS		
556-800	TEMPORARY STEEL BUMPER	-40	
558-998	NO FRONT TOW HOOKS	-15	
574-998	NO LICENSE PLATE MOUNTING		
551-034	CLASS 10.9 THREADED METRIC FASTENERS		
44Z-002	EXTERIOR HARNESSSES WRAPPED IN ABRASION TAPE		
924-007	LEFT HAND SIDE HEAVY DUTY BRACKETS REQUIRED		
928-007	RIGHT HAND SIDE HEAVY DUTY BRACKETS REQUIRED		

#### Fuel Tanks

204-151	60 GALLON/227 LITER ALUMINUM FUEL TANK - LH	-5	
218-006	25 INCH DIAMETER FUEL TANK(S)		

Prepared for:  
 City of Douglas  
 86 W Center Street  
 Douglas, MI 49406  
 Phone: 269-857-2763

Prepared by:  
 Eric Schaltz  
 FREIGHTLINER OF GRAND  
 RAPIDS  
 5285 CLAY AVENUE S.W.  
 WYOMING, MI 49548  
 Phone: 616-531-6600

Data Code	Description	Weight Front	Weight Rear
215-005	PLAIN ALUMINUM/PAINTED STEEL FUEL/HYDRAULIC TANK(S) WITH PAINTED BANDS		
212-007	FUEL TANK(S) FORWARD		
664-001	PLAIN STEP FINISH		
205-001	FUEL TANK CAP(S)		
216-020	EQUIFLO INBOARD FUEL SYSTEM		
202-016	HIGH TEMPERATURE REINFORCED NYLON FUEL LINE		
<b>Tires</b>			
093-2CM	MICHELIN X WORKS XDY 315/80R22.5 20 PLY RADIAL FRONT TIRES	116	
094-17X	MICHELIN X MULTI D+ 11R22.5 16 PLY RADIAL REAR TIRES		60
<b>Wheels</b>			
502-664	ALCOA ULTRA ONE 89U63X 22.5X9.00 10-HUB PILOT 3.12 INSET 10-HD ALUMINUM FRONT WHEELS	-44	
505-766	ALCOA ULA18X 22.5X8.25 10-HUB PILOT ALUMINUM DISC REAR WHEELS		-124
524-022	POLISHED DISC SIDE FRONT WHEELS WITH DURA-BRIGHT FINISH		
525-023	POLISHED OUTER (DISHED SIDE) REAR WHEELS WITH OUTER ONLY DURA-BRIGHT FINISH		
496-011	FRONT WHEEL MOUNTING NUTS		
497-011	REAR WHEEL MOUNTING NUTS		
498-011	NYLON WHEEL GUARDS FRONT AND REAR ALL INTERFACES		
<b>Cab Exterior</b>			
829-053	111.6 INCH BBC CONVENTIONAL ALUMINUM CAB		
82A-028	STAINLESS STEEL CAB ACCENT MOLDING		
667-001	FRONT FENDERS		
754-017	BOLT-ON MOLDED FLEXIBLE FENDER EXTENSIONS	10	
678-066	INTERIOR GRAB HANDLES WITH ADDED LOWER LH AND RH A PILLAR GRAB HANDLES AND LH AND RH EXTERIOR NON-SLIP GRAB HANDLES		
65X-010	BRIGHT HOOD MOUNTED AIR INTAKE GRILLE, BLACK SCREEN, WITH LED ACCENT LIGHTS		

Prepared for:  
 City of Douglas  
 86 W Center Street  
 Douglas, MI 49406  
 Phone: 269-857-2763

Prepared by:  
 Eric Schaltz  
 FREIGHTLINER OF GRAND  
 RAPIDS  
 5285 CLAY AVENUE S.W.  
 WYOMING, MI 49548  
 Phone: 616-531-6600

Data Code	Description	Weight Front	Weight Rear
640-016	X-SERIES STEEL REINFORCED ALUMINUM CAB		
644-048	X-SERIES VOCATIONAL HOOD		
67U-001	HOOD OPENING ASSIST WITH LOCKING STRUT		
652-016	WESTERN STAR NAMEPLATES		
727-012	DUAL HADLEY SD-978 26 INCH RECTANGULAR AIR HORNS		
726-001	SINGLE ELECTRIC HORN		
327-010	SWITCH AND WIRING WITH STAINLESS STEEL BRACKETS MOUNTED OUTBOARD ROOF FOR (2) CUSTOMER FURNISHED BEACONS		
312-095	DUAL STAGE INTELLIGENT LED HEADLIGHTS WITH HEATED LENS SYSTEM		
302-073	VISOR MOUNTED LED MARKER LIGHTS		
314-824	WIRING AND SWITCH FOR CUSTOMER FURNISHED SNOW PLOW LAMPS WITH DUAL CONNECTIONS AT BUMPER		
311-001	DAYTIME RUNNING LIGHTS		
294-107	INTEGRAL LED STOP/TAIL/BACKUP LIGHTS WITH 7 EXTRA FEET OF WIRE MOUNTED END OF FRAME		5
300-061	LED REAR FACING TURN SIGNAL LAMPS IN CONVEX MIRROR LENS IN ADDITION TO STANDARD	2	
744-104	C-BAR MIRROR SYSTEM WITH DUAL HEATED MIRRORS WITH INTEGRAL HEATED CONVEX, DUAL REMOTE, TURN SIGNAL, STAINLESS STEEL BACK COVER, AND BRIGHT C-BAR	20	
796-001	102 INCH EQUIPMENT WIDTH		
743-209	LH AND RH CONVEX MIRRORS INTEGRAL WITH PRIMARY MIRRORS		
74A-001	RH DOWN VIEW MIRROR		
729-001	STANDARD SIDE/REAR REFLECTORS		
677-100	POLISHED ALUMINUM DIAMOND PLATE WST AFTERTREATMENT SYSTEM COVER		
764-020	STAINLESS STEEL EXTERIOR SUN VISOR WITH INTEGRAL MARKER LIGHTS	16	
768-064	SINGLE SOLAR TINTED REAR WINDOW, (1) 31 INCH X 20 INCH		
663-019	1-PIECE ROPED-IN SOLAR GREEN GLASS WINDSHIELD		
659-016	1.5 GALLON WINDSHIELD WASHER RESERVOIR MOUNTED UNDER CAB WITH REMOTE FILL		

**Cab Interior**

24



Prepared for:  
 City of Douglas  
 86 W Center Street  
 Douglas, MI 49406  
 Phone: 269-857-2763

Prepared by:  
 Eric Schaltz  
 FREIGHTLINER OF GRAND  
 RAPIDS  
 5285 CLAY AVENUE S.W.  
 WYOMING, MI 49548  
 Phone: 616-531-6600

Data Code	Description	Weight Front	Weight Rear
055-015	X-SERIES BASE INTERIOR TRIM LEVEL PACKAGE		
707-1C3	CHARCOAL BLACK VINYL BASE LEVEL INTERIOR		
70K-016	CARBON WITH BASE BLACK ACCENT		
772-035	BLACK MATS WITH ADDED FLOOR HEAT AND NOISE INSULATION		
785-033	(1) DUAL USB CHARGING OUTLET, (1) LIGHTER OUTLET AND ASH TRAY		
691-001	FORWARD ROOF MOUNTED CONSOLE		
693-019	LH AND RH DOOR STORAGE POCKETS INTEGRATED INTO MOLDED DOOR PANELS		
741-015	(2) COAT HOOKS ON BACKWALL OF CAB		
738-021	DIGITAL ALARM CLOCK IN DRIVER DISPLAY		
720-072	2-1/2 LB. FIRE EXTINGUISHER SHIPPED LOOSE IN CAB	5	
170-045	STANDARD HEATER PLUMBING WITH BALL SHUTOFF VALVES AT SUPPLY LINES ONLY		
698-001	RADIATOR MOUNTED AIR CONDITIONER CONDENSER		
739-034	PREMIUM INSULATION		
324-1B2	PREMIUM LED CAB LIGHTING		
787-004	REMOTE KEYLESS ENTRY AND 2 TRANSMITTERS		
657-001	DOOR LOCKS AND IGNITION SWITCH KEYED THE SAME		
78G-004	KEY QUANTITY OF 4		
655-028	LH AND RH ELECTRIC DOOR LOCKS WITH AUTO UNLOCK FEATURE WHEN DOOR IS SET FROM OPEN TO CLOSED POSITION		
64C-002	BRIGHT DOOR HANDLES		
722-002	TRIANGULAR REFLECTORS WITHOUT FLARES	10	
756-1J6	PREMIUM 2.0 HIGH BACK AIR SUSPENSION DRIVER SEAT WITH 2 AIR LUMBAR, INTEGRATED CUSHION EXTENSION, TILT AND ADJUSTABLE SHOCK	20	
760-294	BATTERY BOX MID BACK NON SUSPENSION PASSENGER SEAT		
759-007	DUAL DRIVER SEAT ARMRESTS, NO PASSENGER SEAT ARMRESTS		
758-135	BLACK MORDURA CLOTH DRIVER SEAT COVER WITH EMBROIDERED LOGO		
761-138	BLACK MORDURA CLOTH PASSENGER SEAT COVER WITH NO LOGO		

25

Prepared for:  
 City of Douglas  
 86 W Center Street  
 Douglas, MI 49406  
 Phone: 269-857-2763

Prepared by:  
 Eric Schaltz  
 FREIGHTLINER OF GRAND  
 RAPIDS  
 5285 CLAY AVENUE S.W.  
 WYOMING, MI 49548  
 Phone: 616-531-6600

Data Code	Description	Weight Front	Weight Rear
763-1AB	3 POINT HIGH VISIBILITY ORANGE ADJUSTABLE D-RING RETRACTOR DRIVER AND FIXED D-RING RETRACTOR PASSENGER SEAT BELTS		
532-002	ADJUSTABLE TILT AND TELESCOPING STEERING COLUMN		
540-044	4-SPOKE 18 INCH (450MM) BLACK STEERING WHEEL WITH SWITCHES		
765-002	DRIVER AND PASSENGER INTERIOR SUN VISORS		
<b>Instruments &amp; Controls</b>			
185-004	STANDARD FOOT PEDAL SYSTEM		
106-002	ELECTRONIC ACCELERATOR CONTROL		
87L-001	ENGINE REMOTE INTERFACE WITH PARK BRAKE INTERLOCK		
870-001	BLACK GAUGE BEZELS		
734-018	STANDARD CENTER INSTRUMENT PANEL		
840-001	DUAL NEEDLE PRIMARY AND SECONDARY AIR PRESSURE GAUGE		
198-002	INTAKE MOUNTED AIR RESTRICTION INDICATOR WITH GRADUATIONS		
721-001	97 DB BACKUP ALARM		3
149-015	ELECTRONIC CRUISE CONTROL WITH CONTROLS ON STEERING WHEEL SPOKES		
156-007	KEY OPERATED IGNITION SWITCH AND INTEGRAL START POSITION; 4 POSITION OFF/RUN/START/ACCESSORY		
811-044	PREMIUM INSTRUMENT CLUSTER WITH 5.0 INCH TFT COLOR DISPLAY		
81B-003	DIGITAL PANEL LAMP DIMMER SWITCH IN DRIVER DISPLAY		
160-045	HEAVY DUTY ONBOARD DIAGNOSTICS INTERFACE CONNECTOR WITH DUST CAP LOCATED BELOW LH DASH		
844-001	2 INCH ELECTRIC FUEL GAUGE		
148-074	ENGINE REMOTE INTERFACE NOT CONFIGURED		
856-001	ELECTRICAL ENGINE COOLANT TEMPERATURE GAUGE		
854-998	NO ENGINE OIL TEMPERATURE GAUGE		
852-002	ELECTRIC ENGINE OIL PRESSURE GAUGE		
864-022	DIGITAL TRANSMISSION OIL TEMPERATURE IN DRIVER DISPLAY		

Prepared for:  
 City of Douglas  
 86 W Center Street  
 Douglas, MI 49406  
 Phone: 269-857-2763

Prepared by:  
 Eric Schaltz  
 FREIGHTLINER OF GRAND  
 RAPIDS  
 5285 CLAY AVENUE S.W.  
 WYOMING, MI 49548  
 Phone: 616-531-6600

Data Code	Description	Weight Front	Weight Rear
867-004	ELECTRONIC OUTSIDE TEMPERATURE SENSOR DISPLAY IN DRIVER MESSAGE CENTER		
830-017	ENGINE AND TRIP HOUR METERS INTEGRAL WITHIN DRIVER DISPLAY		
372-123	PTO CONTROLS FOR ENHANCED VEHICLE ELECTRIC/ELECTRONIC ARCHITECTURE		
736-998	NO OBSTACLE DETECTION SYSTEM		
73K-998	NO SIDE OBJECT DETECTION SYSTEM		
72J-998	NO DR ASSIST SYSTEM		
49B-998	NO VEHICLE STABILITY ADVISOR OR CONTROL		
73B-998	NO LANE DEPARTURE WARNING SYSTEM		
35M-010	QUICKFIT PROGRAMMABLE INTERFACE MODULE	10	
6TS-008	(2) TMC RP1226 ACCESSORY CONNECTORS: (1) LOCATED BEHIND PASSENGER SIDE REMOVABLE DASH PANEL (1) CENTER OF OVERHEAD CONSOLE		
746-135	AM/FM/WB WORLD TUNER RADIO WITH SIRIUSXM, BLUETOOTH, IPOD INTERFACE, USB AND AUXILIARY INPUTS, J1939		
747-001	DASH MOUNTED RADIO		
750-041	STANDARD SPEAKER SYSTEM		
753-998	NO AM/FM RADIO ANTENNA		
748-006	POWER AND GROUND WIRING PROVISION OVERHEAD		
749-001	ROOF/OVERHEAD CONSOLE CB RADIO PROVISION		
751-001	SINGLE REMOTE SPEAKER WITH LEAD FOR 2-WAY RADIO		
752-004	SINGLE FIBERGLASS LH MIRROR MOUNTED CB ANTENNA WITH BRACKET AND LEAD		
75W-001	HEADLINER MULTI-BAND ANTENNA: AM/FM/WEATHERBAND, WIFI/BLUETOOTH, GNSS/GPS		
78C-003	INTEROPERABLE SDAR ANTENNA		
810-027	ELECTRONIC MPH SPEEDOMETER WITH SECONDARY KPH SCALE, WITHOUT ODOMETER		
812-032	ELECTRONIC 2500 RPM TACHOMETER		
813-1C8	DETROIT CONNECT PLATFORM HARDWARE		
8D1-305	5 YEARS DAIMLER CONNECTIVITY BASE PACKAGE (FEATURES VARY BY MODEL) POWERED BY DETROIT CONNECT		

Prepared for:  
 City of Douglas  
 86 W Center Street  
 Douglas, MI 49406  
 Phone: 269-857-2763

Prepared by:  
 Eric Schaltz  
 FREIGHTLINER OF GRAND  
 RAPIDS  
 5285 CLAY AVENUE S.W.  
 WYOMING, MI 49548  
 Phone: 616-531-6600

Data Code	Description	Weight Front	Weight Rear
162-002	IGNITION SWITCH CONTROLLED ENGINE STOP		
329-117	FOUR EXTRA HARDWIRED SWITCHES IN DASH, ROUTE TO BETWEEN SEATS, CAPPED		
4C1-005	HARDWIRE SWITCH #1, ON/OFF MOMENTARY, 20 AMPS IGNITION POWER		
4C2-026	HARDWIRE SWITCH #2, ON/OFF LATCHING, 10 AMPS BATTERY POWER		
4C3-017	HARDWIRE SWITCH #3, ON/OFF LATCHING, 10 AMPS BATTERY POWER		
4C4-005	HARDWIRE SWITCH #4, ON/OFF MOMENTARY, 20 AMPS IGNITION POWER		
81Y-005	PRE-TRIP INSPECTION FEATURE FOR EXTERIOR LAMPS ONLY		
482-001	BW TRACTOR PROTECTION VALVE		
883-001	TRAILER HAND CONTROL BRAKE VALVE	2	
842-006	DIGITAL TURBO AIR PRESSURE IN DRIVER DISPLAY		
836-015	DIGITAL VOLTAGE DISPLAY INTEGRAL WITH DRIVER DISPLAY		
304-030	ROTARY HEADLAMP SWITCH, MARKER LIGHTS/HEADLIGHTS SWITCH WITH PULL OUT FOR OPTIONAL FOG/ROAD LAMPS		
882-021	TWO VALVE PARKING BRAKE SYSTEM WITH DASH VALVE CONTROL AUTONEUTRAL AND WARNING INDICATOR		
299-020	SELF CANCELING TURN SIGNAL SWITCH WITH DIMMER, HEADLAMP FLASH, WASH/WIPE/INTERMITTENT		
48H-003	QUICKFIT POWERTRAIN INTERFACE CONNECTOR UNDER CAB WITH CAPS		
48C-003	QUICKFIT PROGRAMMABLE INTERFACE CONNECTOR(S) UNDER CAB WITH CAP		
<b>Design</b>			
065-000	PAINT: ONE SOLID COLOR		
<b>Color</b>			
980-2L4	CAB COLOR A: L2225EY CANDY APPLE RED ELITE EY		
986-020	BLACK, HIGH SOLIDS POLYURETHANE CHASSIS PAINT		
<b>Certification / Compliance</b>			
996-001	U.S. FMVSS CERTIFICATION, EXCEPT SALES CABS AND GLIDER KITS		

Prepared for:  
 City of Douglas  
 86 W Center Street  
 Douglas, MI 49406  
 Phone: 269-857-2763

Prepared by:  
 Eric Schaltz  
 FREIGHTLINER OF GRAND  
 RAPIDS  
 5285 CLAY AVENUE S.W.  
 WYOMING, MI 49548  
 Phone: 616-531-6600

Data Code	Description	Weight Front	Weight Rear
<b>Sales Programs</b>			
PMY-3X2	STARQUOTE 47X49X SALES PROGRAM		

**T O T A L V E H I C L E S U M M A R Y**

<b>Weight Summary</b>			
	Weight Front	Weight Rear	Total Weight
Factory Weight <sup>+</sup>	8506 lbs	4572 lbs	13078 lbs
Total Weight <sup>+</sup>	8506 lbs	4572 lbs	13078 lbs

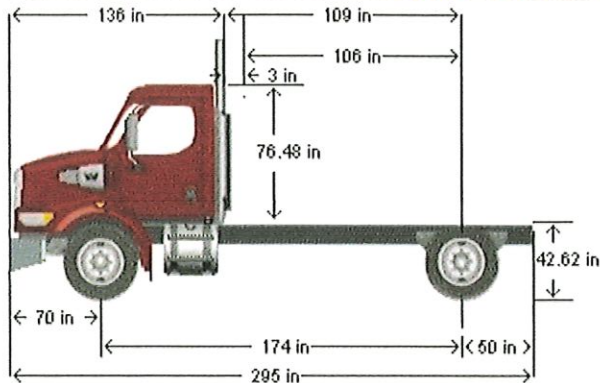
(+) Weights shown are estimates only.  
 If weight is critical, contact Customer Application Engineering.

(\*\*\*) All cost increases for major components (Engines, Transmissions, Axles, Front and Rear Tires) and government mandated requirements, tariffs, and raw material surcharges will be passed through and added to factory invoices.

Prepared for:  
 City of Douglas  
 86 W Center Street  
 Douglas, MI 49406  
 Phone: 269-857-2763

Prepared by:  
 Eric Schaltz  
 FREIGHTLINER OF GRAND  
 RAPIDS  
 5285 CLAY AVENUE S.W.  
 WYOMING, MI 49548  
 Phone: 616-531-6600

## D I M E N S I O N S



### VEHICLE SPECIFICATIONS SUMMARY - DIMENSIONS

Model .....	47X
Wheelbase (545) .....	.4425MM (174 INCH) WHEELBASE
Rear Frame Overhang (552).....	1275MM (50 INCH) REAR FRAME OVERHANG
Fifth Wheel (578) .....	NO FIFTH WHEEL
Mounting Location (577) .....	NO FIFTH WHEEL LOCATION
Maximum Forward Position (in).....	0
Maximum Rearward Position (in) .....	0
Amount of Slide Travel (in).....	0
Slide Increment (in).....	0
Desired Slide Position (in).....	0.0
Cab Size (829).....	111.6 INCH BBC CONVENTIONAL ALUMINUM CAB
Sleeper (682).....	NO SLEEPER BOX/SLEEPER CAB
Exhaust System (016) .....	RAISED RH OUTBOARD UNDER STEP MOUNTED HORIZONTAL AFTERTREATMENT SYSTEM ASSEMBLY WITH RH B-PILLAR MOUNTED VERTICAL TAILPIPE

### TABLE SUMMARY - DIMENSIONS

Prepared for:  
 City of Douglas  
 86 W Center Street  
 Douglas, MI 49406  
 Phone: 269-857-2763

Prepared by:  
 Eric Schaltz  
 FREIGHTLINER OF GRAND  
 RAPIDS  
 5285 CLAY AVENUE S.W.  
 WYOMING, MI 49548  
 Phone: 616-531-6600

Dimensions	Inches
Bumper to Back of Cab (BBC)	135.6
Bumper to Centerline of Front Axle (BA)	70.5
Front Axle to Back of Cab (AC)	65.2
Min. Cab to Body Clearance (CB)	3.0
Back of Cab to Centerline of Rear Axle(s) (CA)	109.1
Effective Back of Cab to Centerline of Rear Axle(s) (Effective CA)	106.1
Back of Cab Protrusions (Exhaust/Intake) (CP)	2.0
Back of Cab Protrusions (Side Extenders/Trim Tab) (CP)	0.0
Back of Cab Protrusions (CNG Tank)	0.0
Back of Cab Clearance (CL)	3.0
Back of Cab to End of Frame	159.3
Cab Height (CH)	76.5
Wheelbase (WB)	174.2
Frame Overhang (OH)	50.2
Overall Frame Length	293.3
Overall Length (OAL)	294.9
Rear Axle Spacing	0.0
Unladen Frame Height at Centerline of Rear Axle	42.6

Performance calculations are estimates only. If performance calculations are critical, please contact Customer Application Engineering.

Prepared for:  
 City of Douglas  
 86 W Center Street  
 Douglas, MI 49406  
 Phone: 269-857-2763

Prepared by:  
 Eric Schaltz  
 FREIGHTLINER OF GRAND  
 RAPIDS  
 5285 CLAY AVENUE S.W.  
 WYOMING, MI 49548  
 Phone: 616-531-6600

**G V W R**

**VEHICLE SPECIFICATIONS SUMMARY - GVWR**

Model ..... 47X  
 Cab Size (829)..... 111.6 INCH BBC CONVENTIONAL ALUMINUM CAB  
 Expected Front Axle(s) Load (lbs)..... 16000.0  
 Expected Pusher Axle(s) Load (lbs)..... 0.0  
 Expected Rear Axle(s) Load (lbs) ..... 23000.0  
 Expected Tag Axle(s) Load (lbs)..... 0.0  
 Expected GVW (lbs) ..... 39000  
 Expected GCW (lbs)..... 80000.0  
 Front Axle (400)..... MFS-16-143A 16,000# FL1 71.5 INCH KPI/3.74 INCH DROP SINGLE FRONT AXLE  
 Front Suspension (620) ..... 16,000# FLAT LEAF FRONT SUSPENSION  
 Front Hubs (418) ..... CONMET PRESET PLUS PREMIUM IRON FRONT HUBS  
 Front Disc Wheels (502)ALCOA ULTRA ONE 89U63X 22.5X9.00 10-HUB PILOT 3.12 INSET 10-HD ALUMINUM FRONT WHEELS  
 Front Tires (093).....MICHELIN X WORKS XDY 315/80R22.5 20 PLY RADIAL FRONT TIRES  
 Front Brakes (402)..... MERITOR 16.5X6 Q+ CAST SPIDER CAM FRONT BRAKES, DOUBLE ANCHOR, FABRICATED SHOES  
 Steering Gear (536)..... SINGLE HIGH CAPACITY POWER STEERING GEAR, BENDIX, 14.6-18K  
 Rear Axle (420) ..... RS-23-160 23,000# R-SERIES SINGLE REAR AXLE  
 Rear Suspension (622)..... 26,000# FLAT LEAF SPRING REAR SUSPENSION WITH HELPER AND RADIUS ROD  
 Rear Hubs (450).....CONMET PRESET PLUS PREMIUM IRON REAR HUBS  
 Rear Disc Wheels (505).....ALCOA ULA18X 22.5X8.25 10-HUB PILOT ALUMINUM DISC REAR WHEELS  
 Rear Tires (094) ..... MICHELIN X MULTI D+ 11R22.5 16 PLY RADIAL REAR TIRES  
 Rear Brakes (423) . MERITOR 16.5X7 Q+ CAST SPIDER HEAVY DUTY CAM REAR BRAKES, DOUBLE ANCHOR, FABRICATED SHOES  
 Pusher / Tag Axle (443)..... NO PUSHER OR TAG AXLE  
 Pusher / Tag Suspension (626) ..... NO PUSHER OR TAG SUSPENSION  
 Pusher / Tag Hubs (449).....NO PUSHER OR TAG HUBS  
 Dead/Pusher/Tag Disc Wheels (509).....NO PUSHER/TAG DISC WHEELS  
 Pusher / Tag Tires (095)..... NO PUSHER/TAG TIRES  
 Pusher / Tag Brakes (456)..... NO PUSHER/TAG BRAKES

**TABLE SUMMARY - GVWR**



Prepared for:  
 City of Douglas  
 86 W Center Street  
 Douglas, MI 49406  
 Phone: 269-857-2763

Prepared by:  
 Eric Schaltz  
 FREIGHTLINER OF GRAND  
 RAPIDS  
 5285 CLAY AVENUE S.W.  
 WYOMING, MI 49548  
 Phone: 616-531-6600

	Front	Rear
<b>Axle Component Weight Ratings</b>		
Axles	16000	23000
Suspension	16000	26000
Hubs	23000	26000
Brakes	20000	23000
Wheels	20000	29600
Tires	18180	24020
Power Steering	18000	N/A
GAWR (per axle)	16000	23000
GAWR (per axle system)	16000	23000
Expected Load (per axle system)	16000	23000
GVWR due to Frame	90000	
GVWR due to Transmission	80000	
<b>Vehicle GVWR Summary</b>		
Calculated GVWR	39000	
Expected GVWR	39000	
All weights displayed in pounds		

Performance calculations are estimates only. If performance calculations are critical, please contact Customer Application Engineering.

Prepared for:  
 City of Douglas  
 86 W Center Street  
 Douglas, MI 49406  
 Phone: 269-857-2763

Prepared by:  
 Eric Schaltz  
 FREIGHTLINER OF GRAND  
 RAPIDS  
 5285 CLAY AVENUE S.W.  
 WYOMING, MI 49548  
 Phone: 616-531-6600

**F R A M E R B M**

**VEHICLE SPECIFICATIONS SUMMARY - FRAME RBM**

Wheelbase (545) .....4425MM (174 INCH) WHEELBASE  
 Frame Rails (546)..... 13.0MM X 87.0MM X 311.0MM STEEL FRAME (0.51X3.43X12.24 INCH) 120 KSI(546)  
 Yield Strength (psi) ..... 120000  
 Section Modulus (per rail) (cu in) ..... 26.805  
 RBM (per rail) (lbf-in) ..... 3216626  
 Inner Frame Reinforcement (547).....NO INNER FRAME REINFORCEMENT  
 Outer Frame Reinforcement (548)..... NO OUTER FRAME REINFORCEMENT

**TABLE SUMMARY - FRAME RBM**

Item	Description / Value
Wheelbase	4425MM (174 INCH) WHEELBASE
Frame	13.0MM X 87.0MM X 311.0MM STEEL FRAME (0.51X3.43X12.24 INCH) 120 KSI
Inner Frame Reinforcement	NO INNER FRAME REINFORCEMENT
Outer Frame Reinforcement	NO OUTER FRAME REINFORCEMENT
Yield Strength (psi)	120000
Section Modulus - per rail (cu. in.)	26.81
Frame RBM - per rail (lbf-in)	3216626

Performance calculations are estimates only. If performance calculations are critical, please contact Customer Application Engineering.

34

Prepared for:  
 City of Douglas  
 86 W Center Street  
 Douglas, MI 49406  
 Phone: 269-857-2763

Prepared by:  
 Eric Schaltz  
 FREIGHTLINER OF GRAND  
 RAPIDS  
 5285 CLAY AVENUE S.W.  
 WYOMING, MI 49548  
 Phone: 616-531-6600

## Q U O T A T I O N

### WESTERN STAR 47X

SET BACK AXLE - TRUCK  
 CUM L9 370 HP @ 2100 RPM; 2100 GOV RPM, 1250 LB-  
 FT @ 1200 RPM  
 ALLISON 3000 RDS AUTOMATIC TRANSMISSION WITH  
 PTO PROVISION  
 RS-23-160 23,000# R-SERIES SINGLE REAR AXLE  
 26,000# FLAT LEAF SPRING REAR SUSPENSION WITH  
 HELPER AND RADIUS ROD

MFS-16-143A 16,000# FL1 71.5 INCH KPI/3.74 INCH  
 DROP SINGLE FRONT AXLE  
 16,000# FLAT LEAF FRONT SUSPENSION  
 111.6 INCH BBC CONVENTIONAL ALUMINUM CAB  
 4425MM (174 INCH) WHEELBASE  
 13.0MM X 87.0MM X 311.0MM STEEL FRAME  
 (0.51X3.43X12.24 INCH) 120 KSI  
 1275MM (50 INCH) REAR FRAME OVERHANG

		PER UNIT		TOTAL
VEHICLE PRICE	TOTAL # OF UNITS (1)	\$	130,713	\$ 130,713
EXTENDED WARRANTY		\$	0	\$ 0
DEALER INSTALLED OPTIONS		\$	0	\$ 0
<b>CUSTOMER PRICE BEFORE TAX</b>		<b>\$</b>	<b>130,713</b>	<b>\$ 130,713</b>

### TAXES AND FEES

TAXES AND FEES		\$	0	\$ 0
OTHER CHARGES		\$	0	\$ 0

### TRADE-IN

TRADE-IN ALLOWANCE		\$	(0)	\$ (0)
<b>BALANCE DUE</b>	<b>(LOCAL CURRENCY)</b>	<b>\$</b>	<b>130,713</b>	<b>\$ 130,713</b>

**COMMENTS:**

Projected delivery on \_\_\_ / \_\_\_ / \_\_\_ provided the order is received before \_\_\_ / \_\_\_ / \_\_\_.

**APPROVAL:**

Please indicate your acceptance of this quotation by signing below:

Customer: X \_\_\_\_\_ Date: \_\_\_ / \_\_\_ / \_\_\_.

**Daimler Truck Financial**

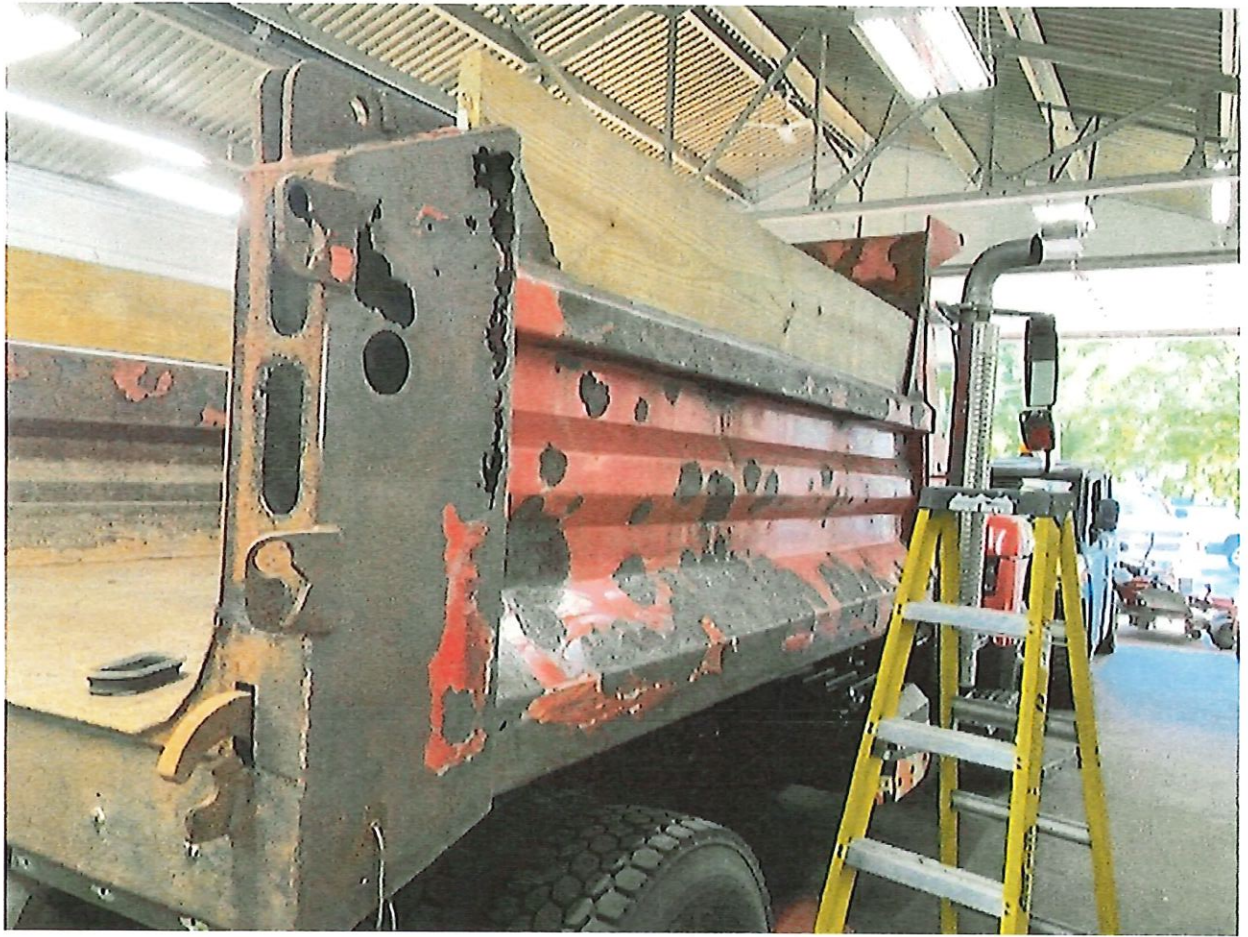
Financing that works for you.

See your local dealer for a competitive quote from Daimler Truck Financial, or contact us at [Information@dtfoffers.com](mailto:Information@dtfoffers.com).

Daimler Truck Financial offers a variety of finance, lease and insurance solutions to fit your business needs. For more information about our products and services, visit our website at [www.daimler-truckfinancial.com](http://www.daimler-truckfinancial.com).

35-











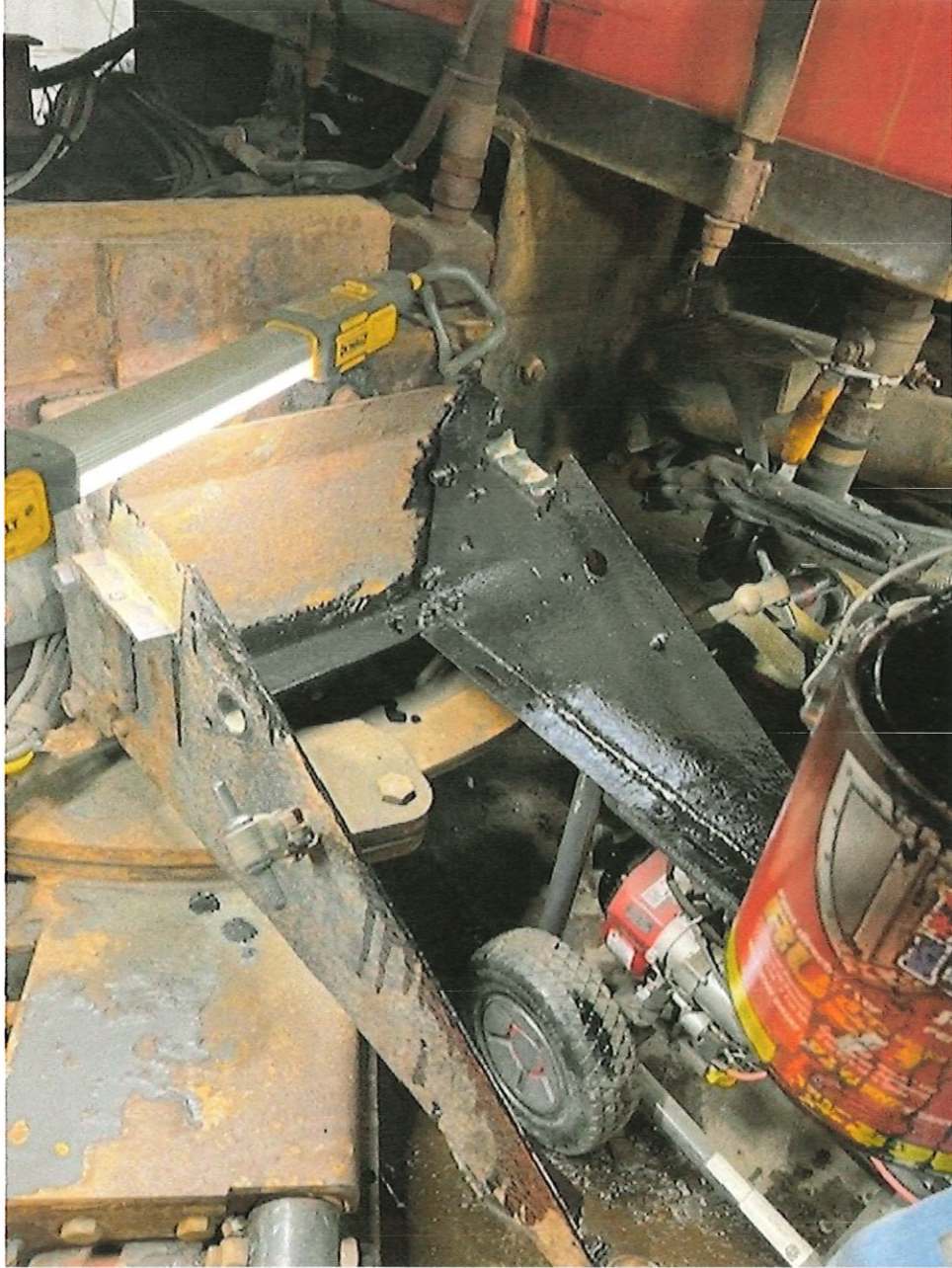


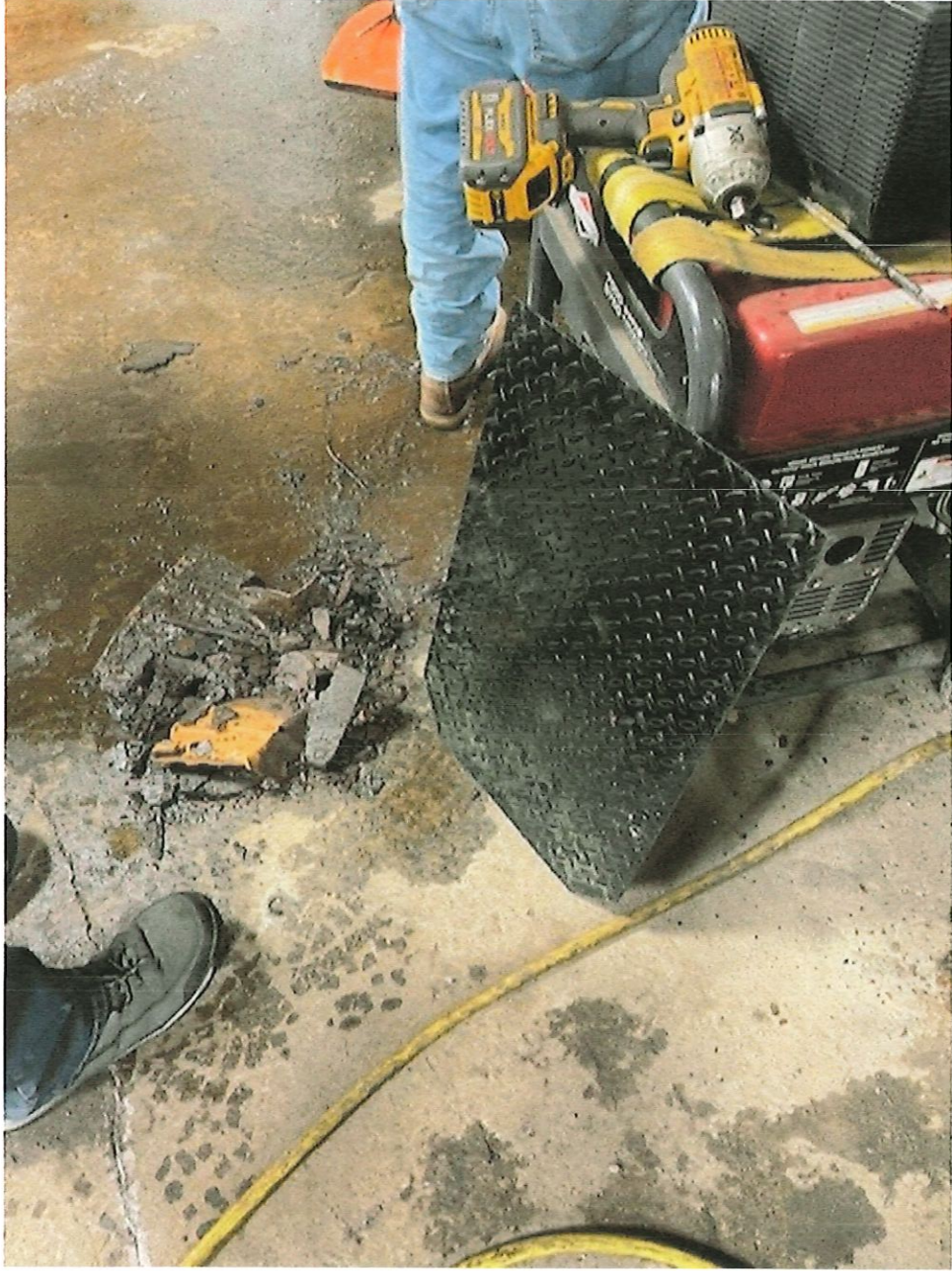






















50







**JOHN DEERE**

# Selling Equipment

Quote Id: 30328575

<b>2024 M.K. MARTIN LP678 - 6' LANDPLANE - NA</b>				
Hours:	0			<b>Suggested List</b>
Stock Number:				\$ 6,670.00
				<b>Selling Price</b>
				\$ 5,720.00
<b>Code</b>	<b>Description</b>	<b>Qty</b>	<b>Unit</b>	<b>Extended</b>
LP678	72" LANDPLANE W/ HYDRAULIC SCARIFIERS	1	\$ 6,420.00	\$ 6,420.00
<b>Other Charges</b>				
	Freight	1	\$ 50.00	\$ 50.00
	Setup	1	\$ 200.00	\$ 200.00
	<b>Other Charges Total</b>			<b>\$ 250.00</b>
	<b>Suggested Price</b>			<b>\$ 6,670.00</b>
<b>Customer Discounts</b>				
	<b>Customer Discounts Total</b>		<b>\$ -950.00</b>	<b>\$ -950.00</b>
<b>Total Selling Price</b>				<b>\$ 5,720.00</b>

<b>Frontier BB5072 - 6 ft. Box Blade - (6 Manually Adjustable Scarifiers)</b>				
Hours:				<b>Suggested List</b>
Stock Number:				\$ 1,870.50
				<b>Selling Price</b>
				\$ 1,750.00
<b>Code</b>	<b>Description</b>	<b>Qty</b>	<b>Unit</b>	<b>Extended</b>
1642XF	BB5072 Standard Duty Box Blade	1	\$ 1,601.00	\$ 1,601.00
<b>Other Charges</b>				
	Freight	1	\$ 149.00	\$ 149.00
	Setup	1	\$ 120.50	\$ 120.50
	<b>Other Charges Total</b>			<b>\$ 269.50</b>
	<b>Suggested Price</b>			<b>\$ 1,870.50</b>
<b>Customer Discounts</b>				
	<b>Customer Discounts Total</b>		<b>\$ -120.50</b>	<b>\$ -120.50</b>
<b>Total Selling Price</b>				<b>\$ 1,750.00</b>

**SP250096LF HLA 8' SNOW PUSHER W/ Steel Back Drag Edge.**



JOHN DEERE

# Selling Equipment

Quote Id: 30328575

Hours:	0			<b>Suggested List</b>
Stock Number:				\$ 5,448.50
				<b>Selling Price</b>
				\$ 5,140.00
<b>Code</b>	<b>Description</b>	<b>Qty</b>	<b>Unit</b>	<b>Extended</b>
SP250096LF	8' 2500 SNOW PUSHER	1	\$ 2,555.00	\$ 2,555.00
<b>Standard Options - Per Unit</b>				
BOKSP23BO50	2500/3500 BOLT ON FRAME	1	\$ 535.00	\$ 535.00
0				
FRT	Destination Charge	1	\$ 100.00	\$ 100.00
SP250096BDKS	96" 2500 SERIES BACK DRAG W/ STEEL EDGE	1	\$ 1,415.00	\$ 1,415.00
	<b>Standard Options Total</b>			<b>\$ 2,050.00</b>
<b>Other Charges</b>				
	Setup	1	\$ 843.50	\$ 843.50
	<b>Other Charges Total</b>			<b>\$ 843.50</b>
	<b>Suggested Price</b>			<b>\$ 5,448.50</b>
<b>Customer Discounts</b>				
	<b>Customer Discounts Total</b>		<b>\$ -308.50</b>	<b>\$ -308.50</b>
<b>Total Selling Price</b>				<b>\$ 5,140.00</b>

## Snow Tires (Order Rims & Mount Good Year Snow Tires)

Hours:	0			<b>Suggested List</b>
Stock Number:				\$ 6,449.22
				<b>Selling Price</b>
				\$ 6,361.22
<b>Code</b>	<b>Description</b>	<b>Qty</b>	<b>Unit</b>	<b>Extended</b>
SNOW TIRES	Snow Tires (set - front & rear) & Loaded	1	\$ 0.00	\$ 0.00
<b>Standard Options - Per Unit</b>				
SNOW TIRES	Snow Tires (set - front & rear) & Loaded	1	\$ 0.00	\$ 0.00
	<b>Standard Options Total</b>			<b>\$ 0.00</b>
<b>Dealer Attachments</b>				
LVA12607	Wheel - WHEEL, STEEL DISK & W14L-20 RIM	2	\$ 581.19	\$ 1,162.38
AT25226	Tire Valve Stem - STEM, TIRE VALVE	2	\$ 10.92	\$ 21.84
LVA16435	Wheel - WHEEL 15X7JA GKN 1.5 INSET	2	\$ 231.05	\$ 462.10
AM30347	Tire Valve Stem - TIRE VALVE STEM, TIRE VALVE W/CAP,T	2	\$ 7.45	\$ 14.90

54



JOHN DEERE

# Selling Equipment

Quote Id: 30328575

BALLAST	LOAD REAR TIRES S/C	1	\$ 500.00	\$ 500.00
320/85R20	320/85R20 GoodYear Snow Tires	2	\$ 600.00	\$ 1,200.00
27/8.5-15	27/8.5-15 GoodYear Snow Tires	12	\$ 250.00	\$ 3,000.00
<b>Dealer Attachments Total</b>				<b>\$ 6,361.22</b>
<b>Other Charges</b>				
	Delivery	1	\$ 88.00	\$ 88.00
<b>Other Charges Total</b>				<b>\$ 88.00</b>
<b>Suggested Price</b>				<b>\$ 6,449.22</b>
<b>Customer Discounts</b>				
<b>Customer Discounts Total</b>			<b>\$ -88.00</b>	<b>\$ -88.00</b>
<b>Total Selling Price</b>				<b>\$ 6,361.22</b>

## #70 WEIGHTS W/ FRONT WEIGHT BRACKET FOR BALLAST - (Figuring 4 Weights)

Hours: 0

Suggested List

Stock Number:

\$ 1,415.10

Selling Price

\$ 1,350.34

Code	Description	Qty	Unit	Extended
MISC	MISC	1	\$ 0.00	\$ 0.00
<b>Dealer Attachments</b>				
LVU32113	Weight - WEIGHT, WEIGHT, #70 QUIK TATCH	4	\$ 114.40	\$ 457.60
LVBM19607	Weight Kit - KIT, FRONT WEIGHT BRACKET PIN	1	\$ 60.50	\$ 60.50
BLV10442	Bracket Kit - BRACKET KIT, KIT, FRONT WEIGHT BRAC	2	\$ 286.00	\$ 572.00
<b>Dealer Attachments Total</b>				<b>\$ 1,090.10</b>
<b>Other Charges</b>				
	WEIGHT BRACKET & WEIGHT INSTALL	1	\$ 325.00	\$ 325.00
<b>Other Charges Total</b>				<b>\$ 325.00</b>
<b>Suggested Price</b>				<b>\$ 1,415.10</b>
<b>Customer Discounts</b>				
<b>Customer Discounts Total</b>			<b>\$ -64.76</b>	<b>\$ -64.76</b>
<b>Total Selling Price</b>				<b>\$ 1,350.34</b>





JOHN DEERE

# Selling Equipment

Quote Id: 30328575

<b>320R Loader w/ Mounting Hardware for Additional Tractor</b>				
<b>Hours:</b>				<b>Suggested List</b>
<b>Stock Number:</b>				\$ 9,065.38
				<b>Selling Price</b>
				\$ 8,038.00
<b>Code</b>	<b>Description</b>	<b>Qty</b>	<b>Unit</b>	<b>Extended</b>
1350P	320R Loader	1	\$ 7,385.00	\$ 7,385.00
<b>Standard Options - Per Unit</b>				
0202	United States	1	\$ 0.00	\$ 0.00
0409	English	1	\$ 0.00	\$ 0.00
1995	Less Mounting Frame	1	\$ -600.00	\$ -600.00
4312	Hoses and parts for mid-valve connection	1	\$ 0.00	\$ 0.00
5995	Less hood guard	1	\$ -314.00	\$ -314.00
6995	Less ballast box	1	\$ 0.00	\$ 0.00
7020	John Deere™ Compact Utility Tractor (CUT) carrier	1	\$ 0.00	\$ 0.00
8750	Less Bucket	1	\$ -1,029.00	\$ -1,029.00
<b>Standard Options Total</b>				<b>\$ -1,943.00</b>
<b>Dealer Attachments</b>				
BW15456	Mounting Frame (3R & 3X20 Series Cab Tractors)	2	\$ 645.70	\$ 1,291.40
BW15244	Skid Steer Attachment Carrier	1	\$ 1,086.80	\$ 1,086.80
BW15762	Hose Kit - HOSE KIT, HOSES AND PARTS	1	\$ 396.00	\$ 396.00
KV14216	Hyd. Quick-Connect Coupler - HYD. QUICK-CONNECT COUPLER, COUPLIN	1	\$ 95.80	\$ 95.80
AT430720	Hyd. Quick-Connect Coupler - HYDRAULIC QUICK COUPLER	1	\$ 52.16	\$ 52.16
AT191333	Adapter Fitting - ADAPTER, O-RING	2	\$ 19.11	\$ 38.22
<b>Dealer Attachments Total</b>				<b>\$ 2,960.38</b>
<b>Other Charges</b>				
	Setup	1	\$ 422.00	\$ 422.00
	3RD FUNCTION HARD LINES & FITTINGS INSTALL	1	\$ 180.75	\$ 180.75
	Loader Mount Install (1 Tractor)	1	\$ 60.25	\$ 60.25
<b>Other Charges Total</b>				<b>\$ 663.00</b>
<b>Suggested Price</b>				<b>\$ 9,065.38</b>
<b>Customer Discounts</b>				
<b>Customer Discounts Total</b>			<b>\$ -1,027.38</b>	<b>\$ -1,027.38</b>
<b>Total Selling Price</b>				<b>\$ 8,038.00</b>

56





JOHN DEERE

# Selling Equipment

Quote Id: 30328575

## 66 in. Utility Bucket (20.6 cu. ft.) with Replaceable Cutting Edge

Hours:

Suggested List

Stock Number:

\$ 2,102.00

Selling Price

\$ 1,775.00

Code	Description	Qty	Unit	Extended
KV24755	66 in. Utility Bucket (20.6 cu. ft.) with Edge	1	\$ 2,102.00	\$ 2,102.00

**Suggested Price**

**\$ 2,102.00**

**Customer Discounts**

**Customer Discounts Total**

**\$ -327.00**

**\$ -327.00**

**Total Selling Price**

**\$ 1,775.00**

59

**Quote Summary**

**Prepared For:**  
 City Of Village Of Douglas  
 MI

**Prepared By:**  
 Weerstra Richard  
 GreenMark Equipment, LLC  
 11483 E Lakewood Boulevard  
 Holland, MI 49424  
 Phone: 616-396-8132  
 rweerstra@greenmarkequipment.com

**Quote Id:** 30328575  
**Created On:** 05 February 2024  
**Last Modified On:** 07 February 2024  
**Expiration Date:** 12 February 2024

Equipment Summary	Suggested List	Selling Price	Qty	Extended
2024 M.K. MARTIN LP678 - 6' LANDPLANE - NA	\$ 6,670.00	\$ 5,720.00 X	1 =	\$ 5,720.00
Frontier BB5072 - 6 ft. Box Blade - (6 Manually Adjustable Scarifiers)	\$ 1,870.50	\$ 1,750.00 X	1 =	\$ 1,750.00
SP250096LF HLA 8' SNOW PUSHER W/ Steel Back Drag Edge.	\$ 5,448.50	\$ 5,140.00 X	1 =	\$ 5,140.00
Snow Tires (Order Rims & Mount Good Year Snow Tires)	\$ 6,449.22	\$ 6,361.22 X	1 =	\$ 6,361.22
#70 WEIGHTS W/ FRONT WEIGHT BRACKET FOR BALLAST - (Figuring 4 Weights)	\$ 1,415.10	\$ 1,350.34 X	1 =	\$ 1,350.34
320R Loader w/ Mounting Hardware for Additional Tractor	\$ 9,065.38	\$ 8,038.00 X	1 =	\$ 8,038.00
66 in. Utility Bucket (20.6 cu. ft.) with Replaceable Cutting Edge	\$ 2,102.00	\$ 1,775.00 X	1 =	\$ 1,775.00
<b>Equipment Total</b>				<b>\$ 30,134.56</b>

<b>Quote Summary</b>	
Equipment Total	\$ 30,134.56
SubTotal	\$ 30,134.56
Est. Service Agreement Tax	\$ 0.00
<b>Total</b>	<b>\$ 30,134.56</b>
Down Payment	(0.00)
Rental Applied	(0.00)
<b>Balance Due</b>	<b>\$ 30,134.56</b>

Salesperson : X \_\_\_\_\_

Accepted By : X \_\_\_\_\_

58







# MIDEAL PRICING

2600 W Salzburg, Freeland, MI 48623  
 Phone: (989) 495-9332

Quote Date:	Quote Good Through:	Requested By:	Customer:
1/26/2024	4/26/2024	Nate	Douglas, MI

**Additional Comments: Net 30 Days - 2 year machine and lifetime frame warranty included -90-120 days delivery**

Model	Description	Price
4T1B-D	<p><b>4 Ton Transporter - Diesel</b></p> <p>12 volt batteries, Triple Wall Construction, Fully insulated, Automatic Temperature Control, VIP, One-piece seamless ceramic combustion chamber, conspicuity tape            Diamond Tread Plate Hopper Access Platform, Battery charger package            Electric Brakes with safety breakaway            Tandem axle trailer frame - 2"x6"x1/4" Tubular steel            16" tires - Load Range E</p> <p><b>Included Options:</b>            Single Diesel burner            Dump Box            Standard frame - 16'            Falcon Smart Control package includes:            7 day timer, fuel level gauge, hour meter, voltmeter, temperature gauge            LED Lighting package includes:            Two red stop/tail/turn lights and one green strobe per side, Warning Strobe light, LED night work lights            Release agent basket, 3 position tool holder</p>	\$51,312.41
	<p><b>Additional Options:</b>            24x24 compactor basket            Hoist with 12v winch            Vibco 3200            Hopper access step            Washdown system with hose reel            spoils bin with 6" wall            additional 3 position tool holder            2 5/16" ball hitch            Ingersoll 2475F14G compressor with hose reel</p>	
	Freight to: Douglas, MI	\$400.00
	<p><b>Total including all options plus freight</b>  <b>Plus Applicable Sales Tax</b></p>	\$51,712.41
Acceptance:	Date:	

**RETAIL PRICE OF THIS UNIT (NOT INCLUDING FREIGHT \$67,676 - TOTAL DISCOUNT OF \$16,363.59**

61







Product Quotation  
 Quotation Number: **MB328409**  
 Quote Sent Date: **Feb 05, 2024**  
 Expiration Date: **Mar 06, 2024**

Your Bobcat Contact  
**Mason Brekke**  
 Phone:  
 E-mail: [mason.brekke@doosan.com](mailto:mason.brekke@doosan.com)

Your Customer Contact

Deliver to  
**CITY OF DOUGLAS**  
 86 CENTER ST  
 DOUGLAS, MI, 49406

Bobcat Dealer  
 Jason Lee  
**Carleton Eq. Bobcat of Grand Rapids,**  
**Byron Center, MI**  
 343 100TH STREET SW  
 BYRON CENTER, , 49315

Bill to  
**NEW GOVERNMENT CUSTOMER**  
**2391333**  
 250 E Beaton Dr  
 West Fargo, ND, 58078-2656

Item Name	Item Number	Quantity	Price Each	Total
<b>Bobcat TL619</b>	M2770	1	81,893.04	81,893.04
<b>Standard Equipment:</b>				
Attachment Control Device (7 pin)			Hydrostatic Transmission with 2-Speed & Advanced Attachment Control	
Auxiliary Hydraulics w/ Coupler Release Block			Instrumentation: Hour Meter, RPM, System Voltage;	
Back-up Alarm			Engine Temperature and Fuel Gauges; Warning Lights	
Bobcat Standard 5" Display			LED Work Lights	
Bob-Tach Attachment Mounting System			Lights: Turn Signals; Road Lights (Halogen); Work Lights	
Boom Float			Mechanical Suspension Seat	
Boom Stop			Mirrors: Right & Left Side	
Eco Mode			Reversible cooling fan with manual and automatic control	
Enclosed Cab with Heat/Air Conditioning: parking brake;			Right Hand Mirror	
front, rear, and roof washer/wipers; dome light; power			Rotating Beacon	
port; mechanical suspension seat; retractable seat belt;			Smart Handling System	
tilt and telescoping steering; radio ready; Sun Visor;			Spark Arrestor Exhaust System	
Fixed Armrest; ACD keypad			Tires: 405/70 20	
Front/crab/four-wheel steering			Wheel Fenders	
Hitch, Rear Pin Type			Automatic Parking Brake with Slope Assist	
			Warranty: 24 Months or Total of 2000 Hours (Whichever occurs first)	
<b>Power Bob-Tach Package</b>	M2770-P01-C02	1	3,377.44	3,377.44
<i>Included:</i> Power Bob-Tach Attachment Mounting System, Auto Boom Suspension, Heated Air Suspension Seat, (Machine S/N above 13,000)				
<b>86" Severe Duty Bucket</b>	7326128	1	2,137.88	2,137.88
<b>Bolt-On Cutting Edge, 86"</b>	7296449	1	351.72	351.72
<b>5.5K Severe Duty Pallet Fork Frame</b>	7294332	1	712.88	712.88
<b>48" 5.5K Severe Duty Pallet Fork Teeth</b>	6541518	1	506.92	506.92
<b>Snow Pusher Pro, 10 ft (120 in.) Includes angle blade and removable pusher box</b>	7385515	1	8,122.12	8,122.12
<b>Beacon Kit</b>	7302924	1	170.47	170.47

64



Radio	7517094	1	476.15	476.15
Engine Block Heater	7361247	1	128.76	128.76
36 Month/2000 Hour Full Extended Warranty	9974408	1	1,500.00	1,500.00

Total for Bobcat TL619 **99,377.38**

Quote Total - USD	99,377.38
Dealer P.D.I.	350.00
Freight Charges	2,125.00
Destination Charges	650.00
Dealer Assembly Charges	455.00
<b>Quote Total - USD</b>	<b>102,957.38</b>

**Comment:**

\*Plus applicable taxes. IF Tax Exempt, please include Tax Exempt Certificate with the order.

\*Prices per the Sourcewell Contract #\_040319-CEC.

\*Sourcewell Member Number (if applicable): \_\_\_\_\_

\*All orders should include 1) Accounts Payable Contact and email address, 2) W9 with correct legal entity name, and 3) Bill to Address.

\*Orders may be placed with the contract holder or authorized dealer as allowed by the terms and conditions of the contract. \* A Copy of all orders must be provided to Heather.Messmer@Doosan.com.

\*Contact Holder Information: Clark Equipment Company dba Bobcat Company, Govt Sales, 250 E Beaton Drive, West Fargo, ND 58078. TID# 38-0425350.

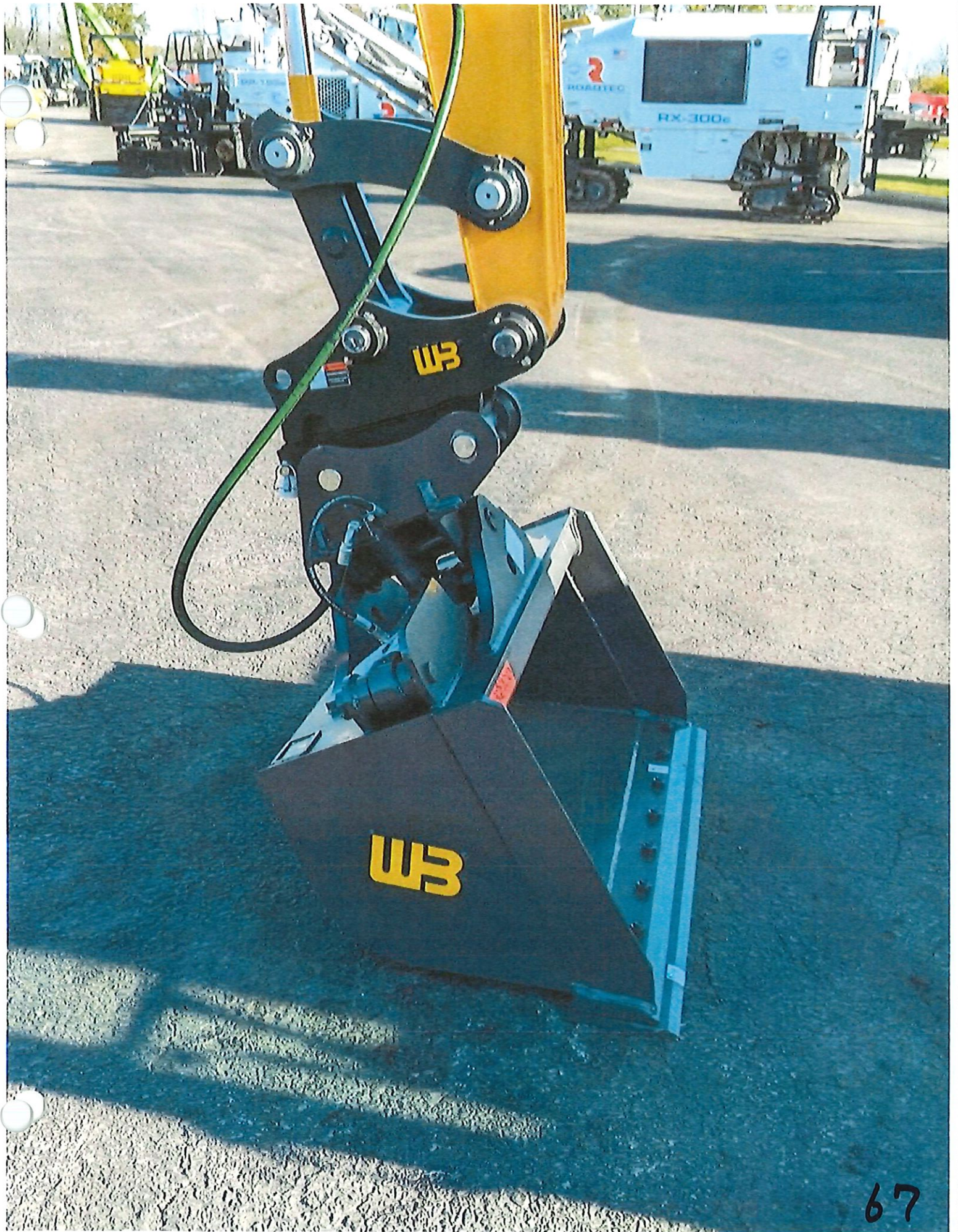
\*Payment Terms: Net 60 Days. Credit cards accepted.

\*Remittance address: Clark Equipment Company d/b/a Bobcat Company, P. O. Box 74007382, Chicago, IL 60674-7382

\*Questions can be submitted via email to randy.fuss@doosan.com or by phone at: 1-800-965-4232v

65





December 20, 2022

City Of Douglas DPW  
486 Water St.  
Douglas, MI 49406

We are pleased to quote the following for your consideration:

**(1) New Werk-Brau 42" Hydraulic tilting grade bucket**

- 42" Width 7.40 cu/ft capacity
- Pins for ECR40
- Bolt on cutting edge

**\$6,840.**

*9-10 week lead time*

Thank you for this opportunity,

*Jack LaForge*

Compact Equipment Specialist

P: (616) 551-8421

E: [Jack.Laforge@altaequipment.com](mailto:Jack.Laforge@altaequipment.com)





December 20, 2022

**City Of Douglas DPW**  
486 Water St.  
Douglas, MI 49406

We are pleased to quote the following for your consideration:

(1) New Bradco 30" Excavator flail mower

- 40MM pins for Volvo ECR40D
- 28.5" cutting width
- 8 blades
- 4" cutting capacity

\$19,000.

*Leadtime is currently 8-10 weeks*

Thank you for this opportunity,

*Jack LaForge*

Compact Equipment Specialist  
P: (616) 551-8421  
E: [Jack.Laforge@altaequipment.com](mailto:Jack.Laforge@altaequipment.com)





# BUCKETS

## V50 MULTI-PURPOSE BUCKET (4-IN-1)

Available widths 60", 66" & 72"

Multiple functions including dozing, claming, leveling, and bottom dumping.



AVAILABLE EDGE OPTIONS  
See page 77 for additional information.



**37.0"**  
DEPTH

**21.3"**  
HEIGHT

LESS THAN  
**2400 LB**  
LOADER OPERATING CAPACITY

- 1. STANDARD WITH CYLINDER GUARDS
- 2. NITROSTEEL® CYLINDER RODS & TEFLON® COATED BUSHINGS ON ALL PIVOTS
- 3. 5/8" x 6" REVERSIBLE STEEL BOLT-ON EDGES
- 4. 3/4" x 6" WELD-ON EDGE

**OPTION: HOLDING VALVE**  
Increases clamping force of the cylinders to secure loads.

**OPTION: SIDE CUTTERS**  
Exclusive reversible design. Improves performance in hard, compacted soils and extends the life of the bucket sides. Not compatible with Toothbars.

MODEL	MPV60	MPV66	MPV72
Width: Overall, Straight / Inside (in.)	61.5 / 59.5	67.5 / 65.5	73.5 / 71.5
Height: Overall / Bucket / Open (in.)		29.8 / 21.3 / 46.0	
Depth: Overall / Inside (in.)		37.0 / 28.6	
Dozer Width (degrees)	59.9	65.9	71.9
Clam Opening (in.)		33.0	
Thickness: Shell / Hinge Structure (in.)		0.25 / 0.375	
Structural Wear Bars Under Bucket (1/2" x 4")		3	
Cylinder Bore / Stroke (in.)		2.5 / 8.375	
Cylinder Pins / Hinge Pins Diameter (in.)		1.25 / 1.563	
Approximate Weight (lbs)	840	915	960
Recommended Loader Capacity		Less than 2400 lbs	

Effective 11.01.22 - All information subject to change without notice. | 63

# ALTA EQUIPMENT COMPANY

8440 Byron Commerce Drive • Byron Center, MI 49315 • Office (616) 878-7450 • Fax (616) 878-7650

December 20, 2022

City Of Douglas DPW  
486 Water St.  
Douglas, MI 49406

We are pleased to quote the following for your consideration:

**(1) New Virnig V50 Multi-Purpose 4-in-1 bucket**

- 72" overall width
- Bolt on cutting edge
- Hose/Coupler kit
- 960 lb. weight

Sell Price- \$7,500.

*9-10 week lead time*

Thank you for this opportunity,

*Jack LaForge*

Compact Equipment Specialist

P: (616) 551-8421

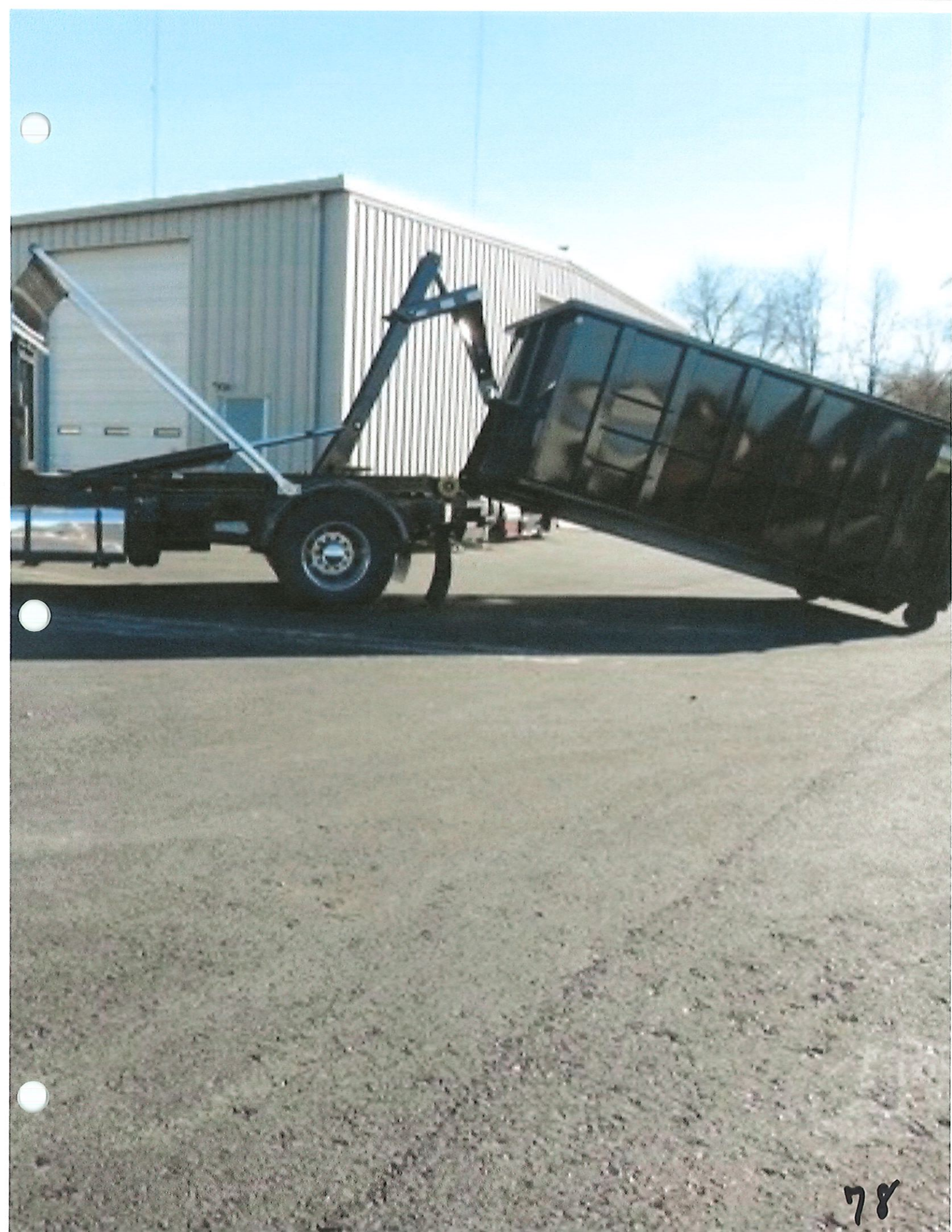
E: [Jack.Laforge@altaequipment.com](mailto:Jack.Laforge@altaequipment.com)







BONNELL



78

## Truck & Trailer Specialties

3286 Hanna Lake Ind. Park Dr.  
Dutton, MI. 49316  
Phone 616-698-8215, Fax 616-698-0972  
Quote No. DQO004750

Clinton County Road Commission  
Attn: Marty Olney  
Phone: (989)-640-5068  
January 31, 2024



State Contract Hyperlink No: [200000000034](#)

### Equipment Quotation

Chassis Info: Western Star, 49X Single Axle SwapLoader Truck

#### Supply and install a single axle hook lift system including the following:

##### **Hook lift system: SwapLoader Model SL-2418 HD**

Minimum of 24,000 lbs. dumping capacity and a minimum lifting capacity of 18,000 lbs.  
with gross weight evenly distributed in and or on container/body

Hooklift shall be able to handle skid-mounted containers/bodies with lengths of 10'-13'

Hooklift shall have a minimum of 57-degree dump angle on a 41" truck frame height chassis

Skid-mounted containers/bodies shall be supported with a pair of 6-1/4" minimum diameter  
outside flanged rollers at rear of hoist, and be adjustable to accommodate  
bodies/containers with outside subframe rails with widths of 40-1/2" or 41-5/8"

##### **Hooklift operation:**

The lift shall adjust weight distribution of the container/body horizontally on the chassis  
while remaining in the body locks and without lifting the container/body rails off  
the hoist frame

Hook lift has a dual rear pivot section incorporated into the hoist design to allow for both  
a true dump truck operation with the container/body secured to the hook lift via  
body locks during the entire dump cycle, and increased mounting leverage at the  
beginning of the container lift cycle

Hook lift jib to reach rearward to the A-frame lifting bar by means of double articulating  
hinge points (dual rear pivot) incorporated into the hoist mechanism

All lift sections shall lock into a common rigid full-length frame to support the  
body/container when in a dump mode. This must be accomplished by mechanical  
operated latches, which lock the mast

Includes a jib lock-out valve to prevent jib operation while in a dump mode

##### **Hydraulic cylinders:**

All cylinders to be made in the USA

Dump/lift cylinders are double acting, twin cylinders, sized for the unit capacity with  
dual integral counterbalance valves.

Dump/lift cylinders are 5-1/2" bore, 2-3/4" rod diameter, and 39" stroke

Telescopic jib cylinder shall be double acting, single cylinder, sized for the unit capacity  
with a single counterbalance valve

Telescopic jib cylinder to be a 4" bore, 2-1/2" rod diameter, and 24" stroke

Hydraulic operating pressure will not exceed 2800 PSI

##### **Mainframe design:**

Mainframe of the hoist is constructed of a "Z" rail configuration

## **Truck & Trailer Specialties**

3286 Hanna Lake Ind. Park Dr.  
Dutton, MI. 49316  
Phone 616-698-8215, Fax 616-698-0972  
Quote No. DQO004750

The "Z" rail mainframe is to be a maximum of 8-1/2" in height, and constructed of 1/4" thick A572 50 KSI steel

Hoist "Z" frame rails to include 6 (3 per side) 11-3/4" x 2-3/4" x 1/2" Nylatron wear pads for container/body support – no metal-to-metal contact shall be allowed

The Nylatron pad will allow the containers/bodies to slide back and forth horizontally on the "Z" rail of the hoist with ease

### **Jib hook design:**

Vertical jib is constructed of an 8" x 8" x 3/8" wall square tube of A500 46 KSI steel

Jib hook height is 54" from the bottom of the container/body subframe rails to the bottom of the A-frame lift bar

Hook lift is able to pick up a container/body that rests 21" below the grade that the truck chassis is on (assumes a 41" truck frame height)

Jib hook is designed to secure container/body to hoist without the need for a hook latch mechanism to cover the hook opening

Jib hook to be permanently welded to jib

### **Pins:**

All hook lift pins are constructed of high-strength CFR steel bar

All pinned connections are greaseable to both lubricate the joint, and flush out contaminants

### **Body locks:**

Hook lift has passive integral slid-through body locks to secure the container/body latch plates to the hook lift in dump and transport positions; to accommodate different length bodies, and to allow for weight distribution changes while remaining in the body locks when in the transport or dump cycle

### **Hook lift warranty:**

The complete mechanism, including hydraulics, will be factory warrantied free of Defects in material and workmanship for a period of forty-eight (48) months On parts, and twelve (12) months on labor from the date of installation

Hook lift is designed and manufactured in the USA

### **Install Monroe model MS4512 underbody scraper including the following:**

Updated center bolt piloted into the hanger board

Two 4" power reverse cylinder with 2" Socatri or Nimet rods

Two 3-1/2" actuating cylinders with 2" Socatri or Nimet rods

All cylinders have poly Pak seals

1" circle with 5" greaseable center bolt

Circle includes a welded-in hardened bushing

1" x 20" x 12' moldboard, 6" cutting edges

2" clevis bosses on power reverse cylinders

Contoured circle clamps with poly type wear pads

Three reinforced moldboard hinges with gussets

3/8" stainless steel pipe and hoses for faster scraper actuation

Hinge shaft is 2.5" cold rolled round stock

Moldboard hinges are constructed of 3/8" wall DOM tubing

Adjustable j-50 relief valve is included

Cushion valve for power reverse circuit is included



## Truck & Trailer Specialties

3286 Hanna Lake Ind. Park Dr.  
Dutton, MI. 49316  
Phone 616-698-8215, Fax 616-698-0972  
Quote No. DQO004750

No grease line kit

Stainless steel piping will be used for plumbing mounted to the hanger board

Bar grating step on streetside

Kennametal moldboard with rotating bits in lieu of standard cutting edge

### Install Monroe 7' mid-mount Junior Wing for single axle application including the following:

Moldboard is 7' long, 27" intake height, and 28" discharge height

Captive 3/16" moldboard with 3/8" ribs

Wing is standard powder coat orange

Welding on the moldboard is continuous

Front cross tube with mounting plate

4" x 4" x 3/4" bottom angle, 4" x 10" toe cylinder, 3" x 10" heel cylinder

Safety chain for transport

Para-Glide front wing post is a trailing link design with 12" of lift. The Para-Glide is designed to allow the moldboard to float up 8 to 12" when in the plowing position

### Paraglide grease line extension kit

Heavy duty 6" spring cushioned push arm with shear pin

Rear push arm support brace is constructed of 4" x 6" x 1/4" tubing and is supported by both frame rails

Rear wing post to be removeable for summer operations

Sequencing valve for proper operation of the wing, valve has built in checks to prevent drifting when not in use

Sequencing valve has built-in manually adjustable flow controls

Flat faced hydraulic disconnects for easy removal

Wing is cushioned with a rubber stop in stored position

Install SoundOff LED amber/green dual Mpower light to end of wing using stainless steel mounting bracket, includes forward facing marker light

Maxxima LED work light/spotlight mounted off front paraglide wing post to illuminate wing

Reverse curved cutting edge

Two cast iron plow shoes

### Install 3/4" rear hitch plate including the following:

PH30 pintle hook, installed 23.5" from ground to valley of hitch, additional mounting holes to be added above and below pintle hook

Two (2) 3/4" D-rings for use with safety chains

7-way RV style trailer plug, wired to chassis

Two (2) rear tow hooks

No chip bar at rear

Remount OEM chassis supplied tractor package at the rear, cap off air lines at rear hitch plate and put chassis supplied gladhands in the cab

### Install Pro-Tech 14 ga. polished stainless steel tandem fender kits including the following:

Two (2) 30-7357 half circle, STAINLESS STEEL single axle fenders, use stainless steel nylon lock nuts on U-bolts

Mounted with Buyers stainless steel fender bracketry and stainless-steel U-bolts

### Install 34" Hustling type front hitch including the following:

12" Channel type front bumper tapering down to clear headlights with tapered back ends

Hitch is bolted to the front bumper

Install reinforcements as needed for front hitch/bumper assembly

- \$32,000  
+ \$38,000

## Truck & Trailer Specialties

3286 Hanna Lake Ind. Park Dr.

Dutton, MI. 49316

Phone 616-698-8215, Fax 616-698-0972

Quote No. DQO004750

3" x 10" lift cylinder with Socatri or Nimet rod

Install cushion valve on bottom side of bumper, to the streetside of the front hitch,  
including stainless steel couplers with dust caps

Stirrup steps installed under each end of front bumper

Chain box mounted **on each** side of the bumper, includes install rubber seal to  
help prevent rattling/vibration, also includes rubber pad at bottom of chain boxes to  
prevent chain from falling through

Two (2) tow hooks mounted to front kicker legs, one each side

### **Install Monroe stainless steel hydraulic/valve enclosure combo tank (#00155229-B) including:**

Factory frame mounted fuel tanks to be used

Combo tank to mount next to the factory exhaust aftertreatment stack upright  
44-gal oil capacity

Suction strainer in supply line

Top mounted Zinga type filter

Low oil sensor with indicator light in the cab and manual shut down system

Ball valve shut offs for case and supply lines

Hydraulic system to be filled with AW32 hydraulic oil

Includes 8-port return manifold

### **Install Central Hydraulic System including the following:**

Rexroth 140CC piston pump

Low oil shut down block with over-ride switch

The pump will be fitted with split flange adapters on both the supply and pressure port

The driveline will be a Spicer 1310 series and will be mounted so it can be removed  
without removing the pump

Hydraulic valve is a 11M4-12 modular design with mid-inlet including the following sections:

4-way air section w/ 2000 psi A+B port LS relief 16 GPM - plow swing

4-way air section w/ 2000 psi A+B port LS relief 16 GPM - front plow

4-way air section w/ 2000 psi A+B port LS relief 16 GPM - scraper swing

4-way air section w/ 500 psi A port +2000 psi B port LS relief 16 GPM – scraper  
up/down

4-way motor spooled air-controlled section for hoist 34 GPM

Closed center mid inlet section

4-way cylinder spooled air-controlled section for jib 19 GPM

4-way motor spooled air-controlled section w/ 2000 psi A+B port LS relief for wing,  
19 GPM

SA EPC section for spinner w/ 2000 psi B port LS relief 8 GPM

SA EPC section for auger w/ 2000 psi B port LS relief 19 GPM

SA EPC section for prewet w/ 2000 psi B port LS relief 8 GPM

DA EPC section for cross auger w/ 2000 psi A+B LS relief 15 GPM

System pressure for hoist and jib is 3600 psi

Front plow circuit will be plumbed to the front of the chassis and equipped with  
a cushion valve

All necessary hoses and fittings will be Parker 451 type

Flat faced hydraulic couplers for front plow and wing heel cylinder

Stainless steel mounting plate mounted behind combo tank to house stainless steel  
disconnects w/ caps for spreader, spinner, pre-wet, and return oil circuits

### **Pneu-logic 6-button Console controller including:**

## **Truck & Trailer Specialties**

3286 Hanna Lake Ind. Park Dr.

Dutton, MI. 49316

Phone 616-698-8215, Fax 616-698-0972

Quote No. DQ0004750

Single, dual axis, multi-function air over hydraulic Joystick controller

Function buttons and air lines are color coded

Joystick provides proportional air control to actuate the plow, scraper, dump, wing, and jib functions at the valve

Padded arm rest

Pause function to be wired to controller using relay for ground speed signal interruption

Wire switches for low oil shutdown/override, cross conveyor/spinner, and potentiometer switch for cross conveyor speed into Pneu-logic console

### **Install new Hook loader heads up display to show in use function including the following:**

Function buttons for joystick

Body up light

Pump shut down light

Low oil light

Low pre-wet

Tailgate open

### **Install Dickey-John Control Point automatic sander controller including the following:**

Control console with switch panel and all necessary wiring harnesses

Controller will be wired into build in speed sensor in the hydraulic conveyor motor

**One** calibration keyboard included

Additional switch for ground speed input on/off

Install SS100 relay and potentiometer switch in cab to operate cross auger

Training is included

### **Install Roadwatch sensor and wire into dickey -john controller display**

#### **Install Custom Lighting and Electrical including the following:**

Truck light type plow lights mounted to hood using aluminum mounting brackets, installed 72" from ground to bottom of plow lights

Stainless steel 3-hole light boxes mounted horizontally behind fenders

SoundOff LED stop/turn/taillights mounted in outer holes of light box

SoundOff LED amber/green flashers #ENFSLSRV12 in middle holes of light box

SoundOff LED back up lights mounted in inside holes of light box

LED marker lights in end caps of rear light boxes, one each side

Install 3'4" LED 3-light cluster at rear

Two (2) Maxxima LED scraper work lights, one mounted each side

Two (2) SoundOff model ELB45 amber/green led flashers mounted to chassis provided beacon light mount brackets on the roof of the cab

Backup alarm is included

Betts junction box mounted at the rear

Proximity switch for body up

#### **In-Power 10-unit switch includes the following:**

Switch one is latched off/on switch for beacon

Switch two is latched off/on switch for scraper lights

Switch three is latched off/on switch for rear flasher

Switch four is latched off/on switch for wing light

Switch five is latched off/on switch for spreader light

Switch six is momentary for camera wash

Switch seven is momentary for tarp open

## **Truck & Trailer Specialties**

3286 Hanna Lake Ind. Park Dr.

Dutton, MI. 49316

Phone 616-698-8215, Fax 616-698-0972

Quote No. DQO004750

Switch eight is momentary for camera air

Switch nine is momentary for tarp closed

Switch ten is latched off/on switch for air tailgate

**Install Tarp relay and control kit and extend wiring to the rear of the chassis**

**Install Flaming River electrical disconnect switch with timed delay**

**MS Foster/Voyager Back-up Camera system including the following:**

**VCMS24B Camera:**

Combines a 1/3" CMOS image sensor and 19 LEDs into compact construction

Black in color

**VOM719WP Monitor:**

Heavy-duty waterproof construction

7" digital wide format color TFT LCD display

Supports up to four cameras

Features six triggers and can display single image, split screen, and quad-view images

Compatible with all Voyager cameras

**VOSHD6MNT Mount:**

6" universal pedestal double-knuckle monitor mount

**CEC34L1 Cable:**

Loomed 34' cable

**MSF5000 Camera Box:**

Stainless steel camera box with "U" pivot bracket (Rev. N 072219)

**MSF1128-12A Camera wash kit:**

Small black NEMA box assembly with Banjo remote fill option

Nozzle for single camera with bracket

Dash mounted rocker switch

Wiring

Pump

Air solenoid

30' tubing kit (air and washer) for camera wash

**Paint to include the following:**

Front bumper and hitch, rear hitch, and any unpainted steel to be painted Black

Touch up chassis frame and underbody scraper with black paint as needed

Rustproofing included, inside and outside of chassis frame from the back of the cab to the end of the frame

**Above installed Price: \$128,580.00 ea.**

**Option #1 Install 11 FT Monroe MCV-132-84-56 skid-mounted dual auger V-box including:**

**Quote No. DQO004752**

Dual 7" augers with front mount motors

24.9 CI hydraulic motors with 3.6:1 planetary gearbox

Application rate sensor in one motor

Top screens

Inverted "V"

Hopper length is 132"

Hopper width is 84"

Side height on hopper is 56"

56" doghouse

## Truck & Trailer Specialties

3286 Hanna Lake Ind. Park Dr.  
Dutton, MI. 49316  
Phone 616-698-8215, Fax 616-698-0972  
Quote No. DQO004750

Sides are 10 ga. type 201 stainless steel  
Body longitudinal is 7 ga. type 201 stainless steel  
Auger trough is 7 ga. type 201 stainless steel  
Front bearing grease extensions to the side  
Install Galvanized skid assembly  
1/2" thick poly subfloor installed between V-box and skid  
Install 54" galvanized leg kit at the rear  
Install 3-hole light boxes at the rear of the V-box including the following  
    SoundOff LED Stop/turn/taillights mounted in top holes  
    SoundOff LED amber/green flashers #ENFSLSRV12 in middle holes  
    SoundOff LED back-up lights mounted in bottom holes  
Two (2) Maxxima LED sander lights, loose – leave wire in light box – note from last time work  
    Order – Marty to install

Betts junction box for wiring termination

7-way plug

Plumb spinner circuit and air circuits down the side of the V-box to the rear

Air foil installed at the rear constructed of type 304 stainless steel

**Install fold down ladder on the side of the V-box, drivers side rear**

**Install hydraulic driven Prewet system including the following:**

Gear type liquid pump with bronze gear

Two 100 gal. rotationally molded poly liquid tanks

Type 304 stainless steel mounting brackets for the tanks

Nozzle kits mounted at the rear conveyor discharge, spray bar

Fiberglass enclosure to house the pump and the Dickey-john flow meter

Bulk fill kit and flusher kit

Cross over hose kit

Remote vent kit

**Install MS9612 cross auger assembly including the following:**

Stainless steel construction, 201 stainless steel

Stainless spinner housing with poly spinner disc

Drop chute assembly to fit V-box

9" auger assembly, 4" width of flighting

28 CID drive motors on auger motor

Drop chutes on each end

Air operated diverter chute to direct the flow of material either to the auger or the spinner

**Option #1 Price Add: \$55,497.00 ea.**

**Option #2: Install skid mounted 11 ft Crysteel dump body including:**

**Quote No. DQO004753**

Body: 11' L 84" I.D. 96" O.D.

Front style: straight, height 54", material 3/16" AR450 steel

Custom cab shield approx. 9" extension, 10 ga. A1011

Side Style: Single panel with rubrail/pressed horizontal

Side height: 28" front/rear,

    inside material: 3/16" AR450 steel

    outside material: 7 ga. A1011 steel

## **Truck & Trailer Specialties**

**3286 Hanna Lake Ind. Park Dr.  
Dutton, MI. 49316  
Phone 616-698-8215, Fax 616-698-0972  
Quote No. DQO004750**

36" tailgate height  
Rear pillar width: 14"  
9 panel tailgate, 3-1/2" thick, 3/16" AR450  
Tailgate release type: brake chamber mounted on outside of frame  
Floor material: 1/4" AR450 steel  
Frame material: A36 steel  
Frame style: 6" channel  
Body is 100% continuously welded  
6" x 10" rollers at rear  
Chain slot bracket type: banjo  
Dump body to be sand blasted and painted Orange in color to match the cab  
Three (3) oval light cutouts in each rear pillar to house one each side:  
    SoundOff LED amber/green flashers #ENFSLSRV12 in top holes  
    SoundOff LED stop/turn/taillights mounted in middle holes  
    SoundOff LED back-up lights mounted in bottom holes  
Install Roll-Rite electric tarp including:  
    Aluminum wind deflector  
    16' Mesh type tarp cover  
    30-degree elbows for loader clearance  
Install one fixed stainless-steel step above the drive tires, streetside only  
Betts junction box for wiring termination

**Option #2 Price Add: \$23,997.00 ea.**

**Lead time: Approx. 360-390 days ARO**

**Payment Terms: Net 30**

**Pricing good for: 30 days**

Thank you for the opportunity to quote.

Submitted by:  
Chad Veenstra/Mike Bouwman

Chassis = \$ ~~116,327~~ 130,713

Upfitting = \$ ~~132,402<sup>00</sup>~~  
170,550

Total = \$ ~~248,729~~  
~~263,115~~  
301,265