

City of Dillingham Action Memorandum

Agenda of: January 12, 2023

Action Memorandum No. 2023-01

**Subject:**

Authorize the City Manager to Purchase a Top Handler

*Acting*

City Manager: Recommend Approval

Signature: *Lori Goodell*

Fiscal Note:  Yes  No

Funds Available:  Yes  No

**Other Attachments:**

Pape Material Handling Quote

**Summary Statement:**

This purchase will replace the top handler that was damaged in August of 2022.

Greenfield Products is the sole source for this product. The quote received is :  
\$79,800 for the top handler  
\$ 9,500 shipping

The City will submit for allowable reimbursement with APEI as part of an existing claim.

Action Memorandum No. 2023-01

Summary Statement continued:

---

PASSED and APPROVED by a duly constituted quorum of the Dillingham City Council on \_\_\_\_\_.

\_\_\_\_\_  
Mayor

ATTEST:

[SEAL]

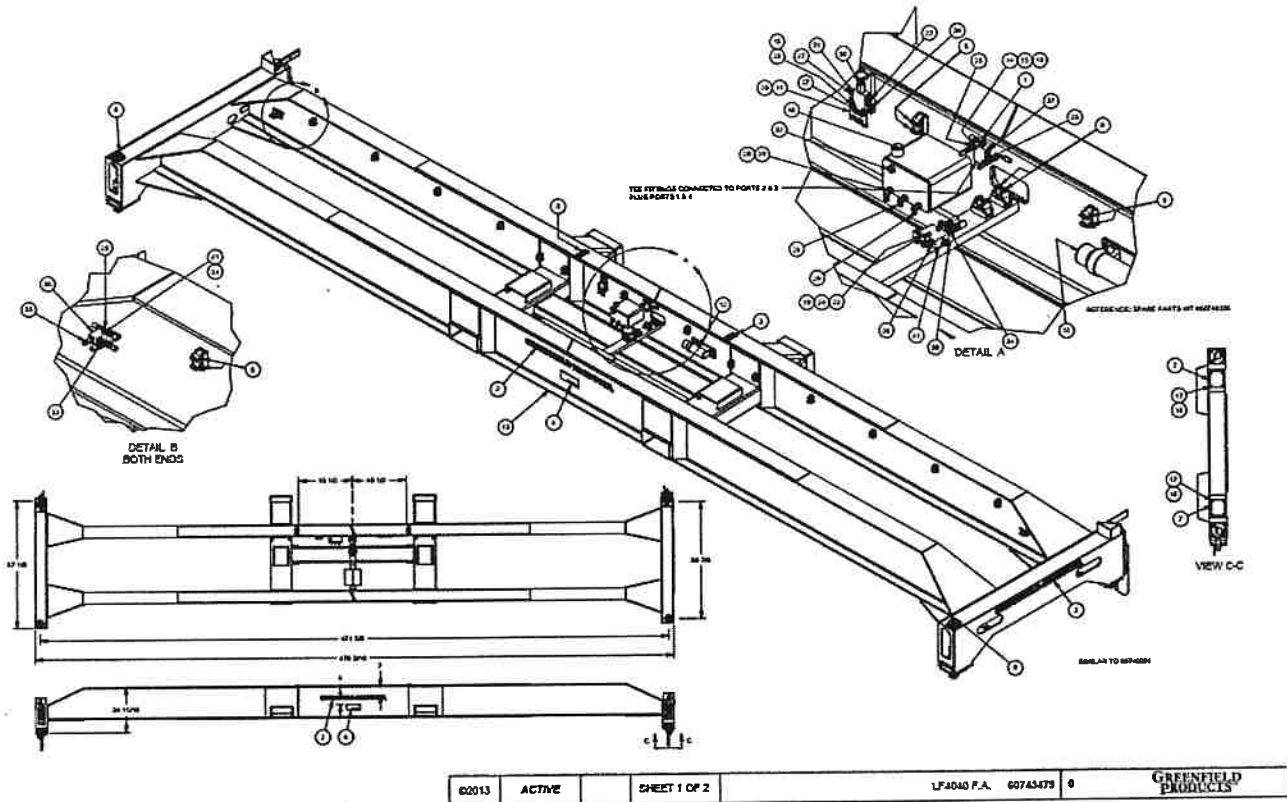
\_\_\_\_\_  
City Clerk

Route to	Department Head	Date
	Finance Director	
	Public Works Director	
X	City Clerk	



9892 40<sup>th</sup> Ave. South  
 Seattle, Washington 98118  
 1-206-722-5800

**LF4040** - 90,000 Pound Fork Mounted Fixed Frame 40' ISO Loaded Top Pick Container Spreader  
**Model:** LF4040-90K (Part number 60743479, Identical to Serial Number A19078SSPR1)



- Painted Greenfield Vivid Yellow
- Tare Weight: 11,200 LBS

**Notes:**

1. The spreader is supplied to #8 JIC capped fittings.
2. Hoses and fittings are required for the interfacing of hydraulics. These are excluded.
3. A data tag is required based on the spreader weight and center of gravity
4. Installation is the excluded and the responsibility of others.
5. Includes Snow Drop End-Beams, D-ring Center mounted for retention
6. All hydraulic with interlocking (no-electric connection), rear side flags for lock indication, mechanical seated interlocking.
7. Hydraulic connection is through screw together hydraulic Quick Connects (2 sets supplied).
8. Spreader does not include lashing eyes.

**Price:** \$79,880.00

**FOB:** Union City, TN 38261, Freight to Seattle is estimated at \$9,500

**Availability:** 20 to 24 weeks estimated, but subject to confirmation at the time of order

Pricing is good for 30 days

Joel Buysse  
 206-399-0002  
[jbuysse@papemh.com](mailto:jbuysse@papemh.com)

City of Dillingham  
Fiscal Note

Agenda Date: January 12, 2023

PAPE Material Handling - Purchase of replacement spreader

ORIGINATOR: Finance Director

FISCAL ACTION (TO BE COMPLETED BY FINANCE)		FISCAL IMPACT <input checked="" type="checkbox"/> YES <input type="checkbox"/> NO	
AMOUNT REQUESTED: <span style="float: right;">\$90,000</span>		FUNDING SOURCE <b>City of Dillingham</b>	
FROM ACCOUNT 2300 7620 70 70 2011 0 <span style="float: right;">Dock -Major Equipment</span>		Project Replacement of spreader damaged in accident.	
TO ACCOUNT:		VERIFIED BY: <u>Anita Fuller</u> Date: <u>1/4/2023</u>	

EXPENDITURES

OPERATING	FY23	FY24	FY25	FY26
2300 7620 70 70 2011 0	\$ 90,000.00			
<b>TOTAL OPERATING</b>	<b>\$ 90,000.00</b>	<b>\$ -</b>	<b>\$ -</b>	<b>\$ -</b>

CAPITAL	\$ -			
---------	------	--	--	--

REVENUE	-			
---------	---	--	--	--

FUNDING

Dock	\$ -			
Equipment replacement	90,000.00			
<b>TOTAL FUNDING</b>	<b>\$ 90,000.00</b>	<b>\$ -</b>	<b>\$ -</b>	<b>\$ -</b>

POSITIONS

Full-Time				
Part-Time				

Analysis: (Attach a separate page if necessary)

AM 2023-01

Current dock major equipment budget is \$0. Either need a budget transfer from Equipment replacement budget of \$600,000 or increase the dock budget an additional \$90,000 to cover the item. This item will be reported to APEI insurance to reimburse as much as allowed by coverage.

PREPARED BY: Anita Fuller

January 6, 2023

DEPARTMENT: Finance

APPROVED BY: \_\_\_\_\_