

**For Office Use Only:**

Owner Occupied  
 Application Fee Received if owner occupied  
 Non-owner Occupied  
 Assessed Value of Property \_\_\_\_\_  
 Verified Lawrence County Dept. of Equalization

Date: \_\_/\_\_/\_\_      Initials: \_\_\_\_

## Application for Historic Preservation Programs Residential Properties

Please read the attached Policy Guidelines, Administrative Procedures and provide the requested information.  
Application fee may apply to this submittal.

1. Address of Property:

12 Washington St.  
Please attach the legal description of the property.

2. Applicant's name & mailing address:

[Redacted Name and Address]  
Te [Redacted]

E-mail: \_\_\_\_\_

3. Owner of property--(if different from applicant):

same  
\_\_\_\_\_  
\_\_\_\_\_  
\_\_\_\_\_

Telephone: (\_\_\_\_) \_\_\_\_\_ - \_\_\_\_\_

E-mail \_\_\_\_\_

4. Historic Preservation Programs – Please check all that apply

- Foundation Program
- Siding Program
- Wood Windows and Doors Program
- Elderly Resident Program  
What year were you born: 1955
- Vacant Home Program (must be vacant for 2 years and apply within first three months of new ownership)
- Revolving Loan Program
- Retaining Wall Program

5. Contractor

[Redacted Contractor Name]  
\_\_\_\_\_  
\_\_\_\_\_

Telephone: [Redacted]  
E-mail: \_\_\_\_\_

All Contractors and Sub-Contractors are required to be licensed in the City of Deadwood.

When the application and Project Approval are approved it is advisable the owner and contractor enter into a contract and provide a copy to the Historic Preservation Office.

Project completion date is one year from owner's date of signature , grant agreement and/or loan documents.

6. As per Historic Preservation guidelines, any work being performed on the exterior of a structure must go before the Historic Preservation Commission for approval. Programs may be amended to reflect the availability of funding and/or the completion of high priority projects. Along with this application please complete and submit a City of Deadwood Application for Project Approval/Certificate of Appropriateness and attach to this document. All documentation must arrive by 5:00 p.m. on the 1<sup>st</sup> and 3<sup>rd</sup> Wednesdays of every month to be considered at the next Historic Preservation Commission Meeting.

7. The scope of work is a brief description of the planned project being done to the structure as well as the materials proposed to be used. Please fill out the form listed below describing your plans. Additional Information may be attached including any quotes from contractors.

Residential Scope of Work		
Program	Estimated Cost	Description of Work
Foundation		
Siding		
Wood Windows & Doors.	950.-	replace front door (1895) + back screen <sup>door</sup>
Elderly Resident	10,000.-	new walk-in shower replace clawfoot tub
Vacant Home		
Revolving Loan		
Retaining Wall		

8. Wood Windows and Doors Program worksheet. To help determine the amount to be allocated please fill out the worksheet below to determine how many windows and doors there are on each side of the structure and clarify if the initial intent is to repair or replace the windows.

Grant total will not exceed \$20,000	Repair/Replace Existing Window(s) \$800 each	Repair/Replace Wood Storm/Screen Window(s) \$350 each	Repair/Replace Existing Primary Door \$600	Repair/Replace additional Wood Door(s) Up to \$300 each	Repair/Replace Wood Storm Door(s) \$600 each
Front View			600.-		
Right Side View					
Left Side View					
Rear View		350.-			
Total Windows/Doors					
Office Use Only					
<b>TOTAL FUNDS ALLOWED</b>					



# ORDER PREVIEW

THE ONYX COLLECTION, INC  
 PO BOX 37  
 Belvue, KS 66407-9664

1 800-ONYX-TOP  
 1 785-456-8604

[www.onyxcollection.com](http://www.onyxcollection.com)

Reference #3094355  
 Requested Date: 2026-05-07

Mead Lumber - Spearfish, SD

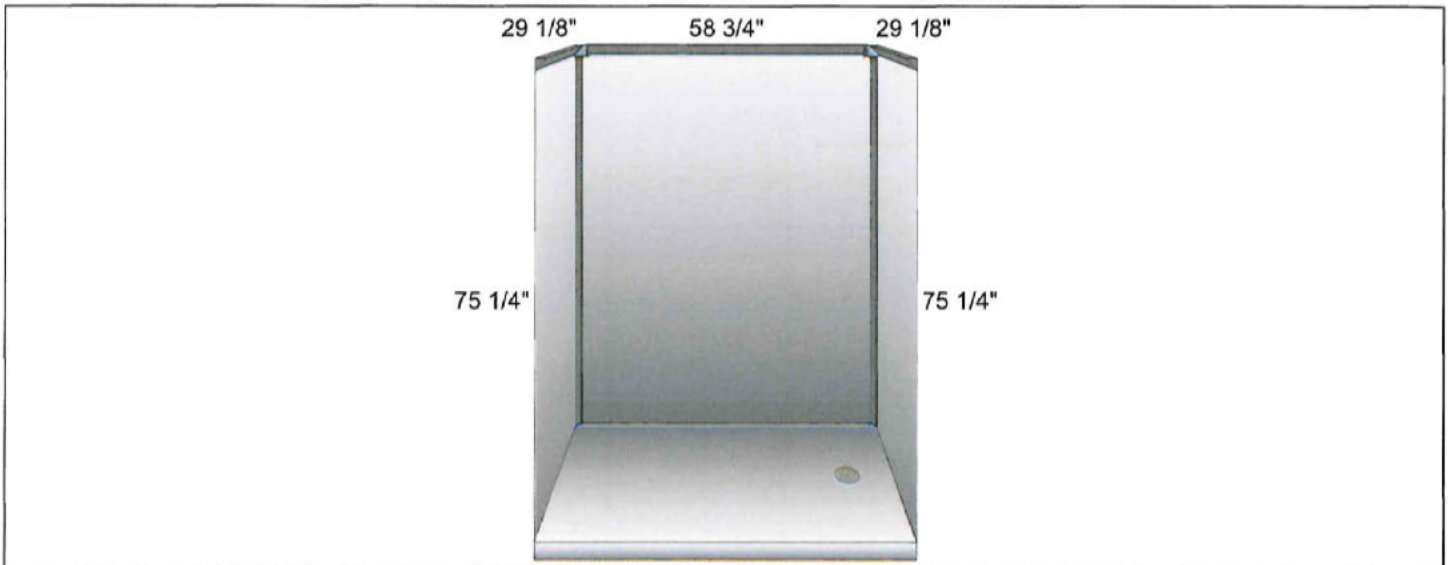


**Special Order Comments:**

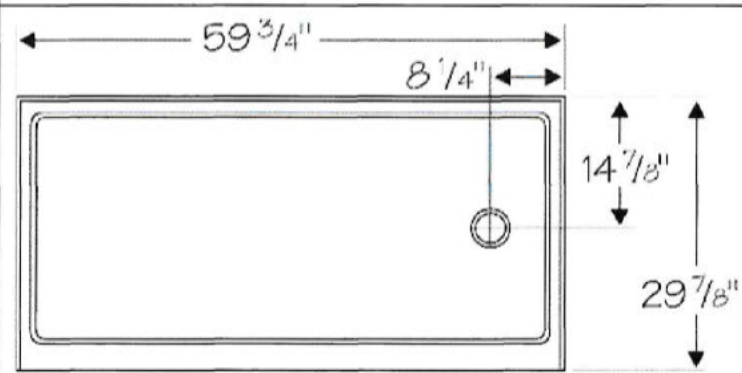
Janice Fogle and Doug Sneesby

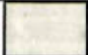
*Bathroom - \$6,500*

**#1 Alabaster 78" Tall Gloss Smooth 60" X 30" Standard Shower Kit**



**Alabaster Gloss Smooth 60" x 30" Mid Height Right Drain Shower Base**



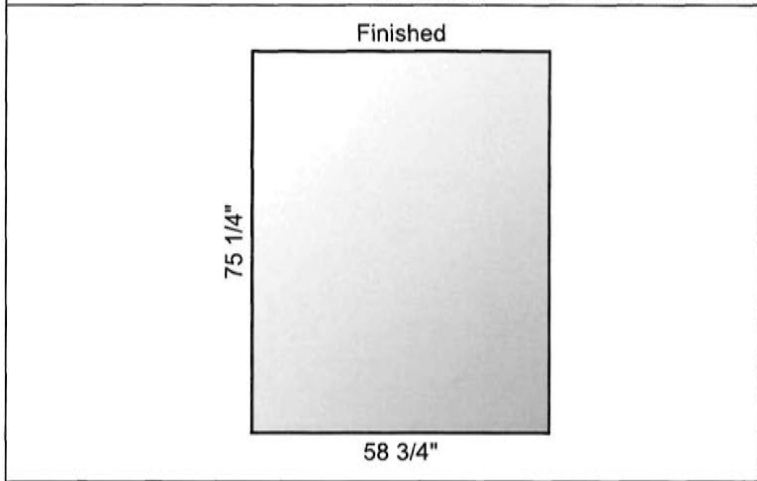
Part of Kit:	#2850011
Item:	#25275087
Color:	Alabaster 
Curb Style:	Mid Height
Drain from Rear	14 7/8"
Drain from Left	51 1/2"
Rear Wall Length:	59 3/4"
Side Wall Lengths:	29 7/8"

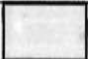
**Cast Brass Shower Drain in Brushed Nickel Finish**



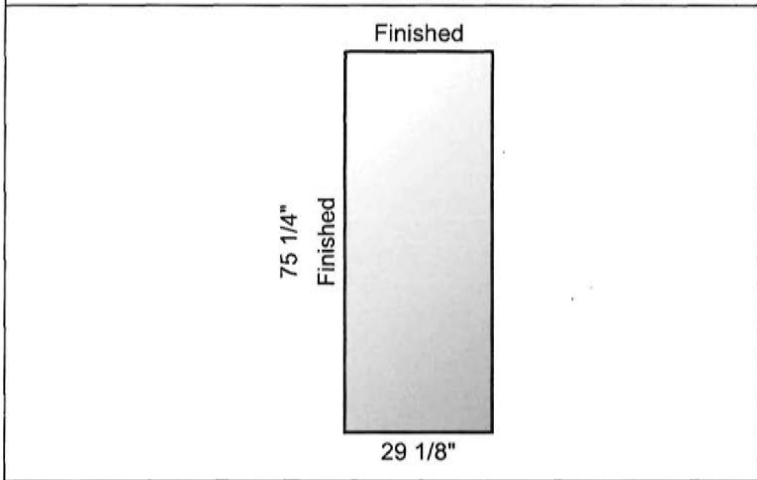
Part of Kit:	#2850011
Item:	#25275096
Strainer Finish:	Brushed Nickel


**Alabaster 58 3/4" X 75 1/4" Gloss Smooth Shower Panel**



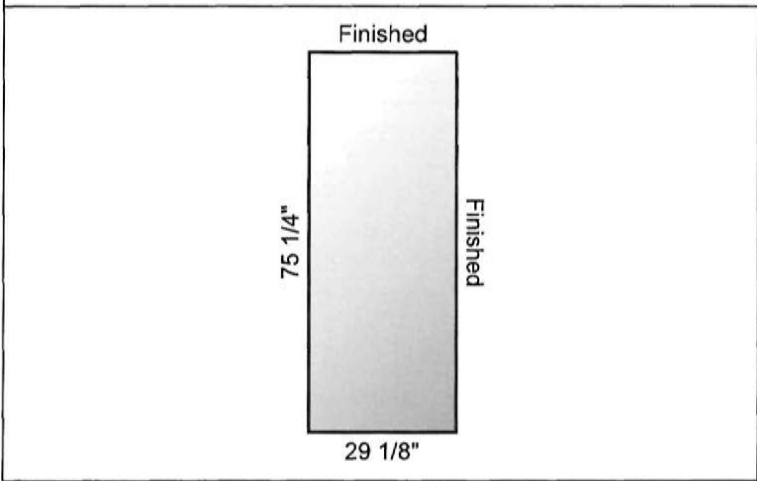
Part of Kit:	#2850011
Item:	#25275088
Color:	Alabaster 
Finish:	Gloss Smooth
Width:	58 3/4"
Height:	75 1/4"
Left Edge:	Raw
Right Edge:	Raw
Top Edge:	Finished
Bottom Edge:	Raw
Installation Order:	Back Panel - Install First

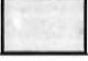
**Alabaster 29 1/8" X 75 1/4" Gloss Smooth Shower Panel**



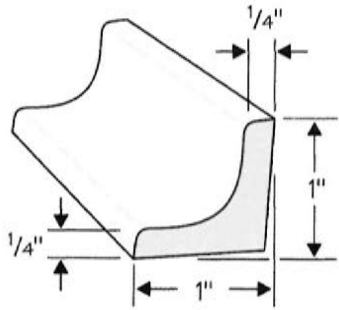
Part of Kit:	#2850011
Item:	#25275089
Color:	Alabaster 
Finish:	Gloss Smooth
Width:	29 1/8"
Height:	75 1/4"
Left Edge:	Finished
Right Edge:	Raw
Top Edge:	Finished
Bottom Edge:	Raw
Installation Order:	Left Panel - Install Second


**Alabaster 29 1/8" X 75 1/4" Gloss Smooth Shower Panel**



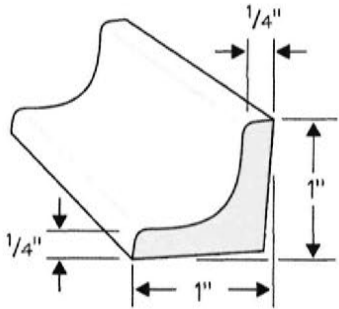
Part of Kit:	#2850011
Item:	#25275090
Color:	Alabaster 
Finish:	Gloss Smooth
Width:	29 1/8"
Height:	75 1/4"
Left Edge:	Raw
Right Edge:	Finished
Top Edge:	Finished
Bottom Edge:	Raw
Installation Order:	Right Panel - Install Third


**Alabaster 75 1/4" Long Gloss Smooth 90° Inside Corner Trim**



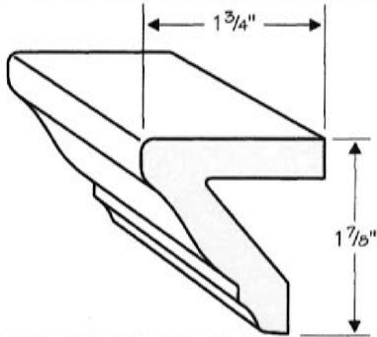
Part of Kit:	#2850011
Item:	#25275091
Type:	90° Inside Corner Trim
Color:	Alabaster 
Finish:	Gloss Smooth
Length:	75 1/4"
Finished on One End	


**Alabaster 75 1/4" Long Gloss Smooth 90° Inside Corner Trim**



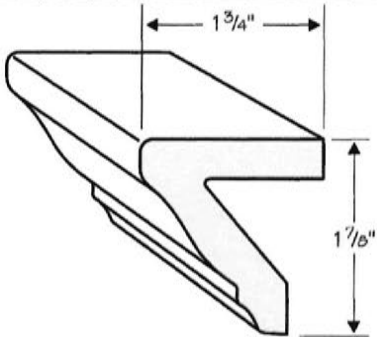
Part of Kit:	#2850011
Item:	#25275092
Type:	90° Inside Corner Trim
Color:	Alabaster 
Finish:	Gloss Smooth
Length:	75 1/4"
Finished on One End	


**Alabaster 27 5/8" Long Gloss Smooth 1 7/8 Inch Classic CAP MOUNT Crown Molding**



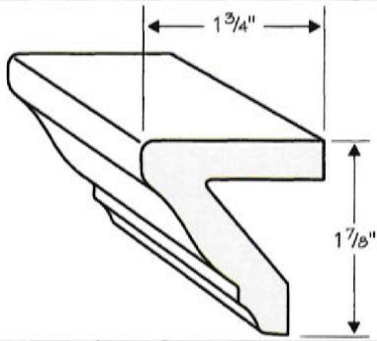
Part of Kit:	#2850011
Item:	#25275093
Type:	1 7/8 Inch Classic CAP MOUNT Crown Molding
Color:	Alabaster 
Finish:	Gloss Smooth
Length:	27 5/8"
Left End:	Finished
Right End:	Raw

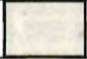
**Alabaster 55 3/4" Long Gloss Smooth 1 7/8 Inch Classic CAP MOUNT Crown Molding**



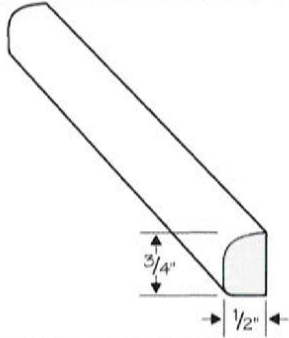
Part of Kit:	#2850011
Item:	#25403435
Type:	1 7/8 Inch Classic CAP MOUNT Crown Molding
Color:	Alabaster 
Finish:	Gloss Smooth
Length:	55 3/4"
Left End:	Raw
Right End:	Raw

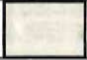
**Alabaster 27 5/8" Long Gloss Smooth 1 7/8 Inch Classic CAP MOUNT Crown Molding**



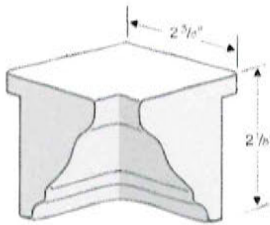
Part of Kit:	#2850011
Item:	#25403436
Type:	1 7/8 Inch Classic CAP MOUNT Crown Molding
Color:	Alabaster 
Finish:	Gloss Smooth
Length:	27 5/8"
Left End:	Raw
Right End:	Finished

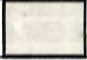
**Alabaster 61" Long Gloss Smooth Base Shoe**



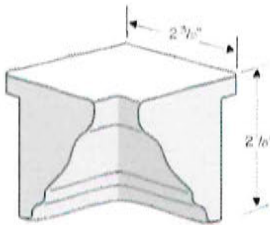
Part of Kit:	#2850011
Item:	#25403437
Type:	Base Shoe
Color:	Alabaster 
Finish:	Gloss Smooth
Length:	61"
Left End:	Raw
Right End:	Raw

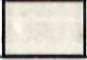
**Alabaster Gloss Smooth Corner Block for 1 7/8 Inch Classic CAP MOUNT Crown Molding**



Part of Kit:	#2850011
Item:	#25403438
Type:	1 7/8 Classic Crown Corner Block CAP MOUNT
Color:	Alabaster 
Finish:	Gloss Smooth

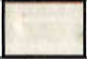
**Alabaster Gloss Smooth Corner Block for 1 7/8 Inch Classic CAP MOUNT Crown Molding**



Part of Kit:	#2850011
Item:	#25403439
Type:	1 7/8 Classic Crown Corner Block CAP MOUNT
Color:	Alabaster 
Finish:	Gloss Smooth

**Package of 2 - Alabaster 10.3 oz Color Matched Silicone**



Part of Kit:	#2850011
Item:	#25275094
Color:	Alabaster 

**Case (12 tubes) of 10.3 oz Adhesive Silicone**

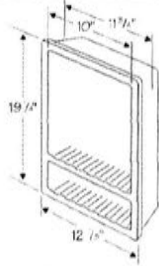



Adhesive

Part of Kit:	#2850011
Item:	#25275095

Total List for Standard Shower Kit #2850011: \$4,521.94

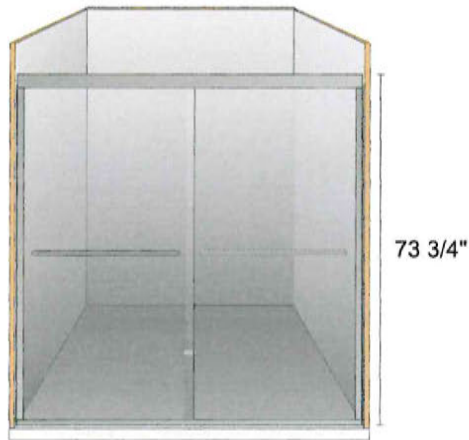
**#2 Alabaster Gloss Smooth Liberty Wide Recessed Caddy**



Item:	#25275342
Color:	Alabaster 
Finish:	Gloss Smooth

List: \$225.00

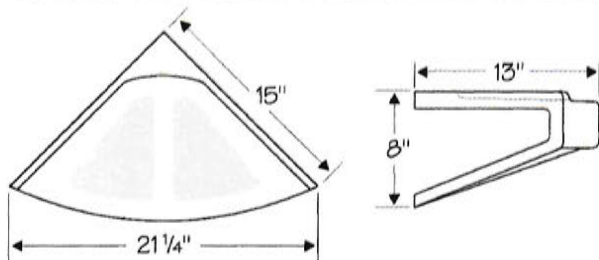
**#3 60" Frameless By-Pass Slider Door, 73 3/4" Standard Height, Brushed Nickel, 22" Towel Bars Rain Glass**




Item:	#25275838
Style:	Frameless By-Pass Slider Door
Standard Door Height:	73 3/4"
Handle Type:	22" Towel Bars
Metal Finish:	Brushed Nickel
Glass Style:	Rain Glass
Finished Centerline Tolerance:	57 1/2" - 58 1/2"

List: \$3,440.00

**#4 Alabaster Gloss Smooth 15 Inch Pearl Enclosed Corner Seat**



Item:	#25403110
Color:	Alabaster 
Finish:	Gloss Smooth

List: \$390.00

#5 Alabaster 24 inch Low-Gloss Liberty Grab Bar

	Item:	#25403313
	Color:	Alabaster
	Finish:	Low-Gloss
	Assembled:	Yes
	Length:	24"
List:		\$196.00

Total List (Does NOT Include Sales Tax)

~~\$8,772.94~~

*\$5088.<sup>00</sup>*

Order Review:

Name

Name \_\_\_\_\_ Date \_\_\_\_/\_\_\_\_/\_\_\_\_



Shower / Showering / Shower Heads & Hand Showers / Two-in-One Shower Heads

DELTA

## 5-Setting In2ition® With ProClean® In Spotshield® Brushed Nickel

MODEL#: 75548SN

★★★★★ 4.9 (14) [Write a review](#) [Ask a question](#)

Spotshield Brushed Nickel

Standard Finishes



List Price: ~~\$145.40~~

\$120.<sup>00</sup>



[ADD TO FAVORITES](#)

[FIND LOCAL DELTA® INSTALLERS.](#)

PRODUCT FEATURES

DOCUMENTS & SPECS

REVIEWS

Q&A

The Delta® In2ition® Two-in-One Shower features a detachable hand shower which can be used separately from or simultaneously with the shower head. This integrated dual-functionality gives you maximum flexibility without sacrificing warmth, as you can choose to have water streaming from the shower head only, the hand shower only or both the shower head and hand shower at once. Delta® MagnaTite® Docking uses a powerful integrated magnet to pull your In2ition® hand shower precisely into place and hold it there so it stays docked when not in use. While other products may gather unsightly mineral buildup over time, Delta soft rubber Touch-Clean® spray holes allow any mineral residue to simply be wiped away for an instantly refreshed look — with no need for soaking or the aid of chemical cleaners. Delta WaterSense labeled faucets, showers and toilets use at least 20% less water than the industry standard — helping you save water without compromising performance.

- ProClean® spray cleans shower surfaces at least two times faster than standard sprays
- Power off stubborn soap scum, hair and shower messes
- MagnaTite® Docking uses a powerful integrated magnet to hold your In2ition® Two-in-One Shower Head precisely in place for easy docking every time
- Spray settings include: Full Spray, Massage Spray, Full Spray + Massage, ProClean® Spray and Pause
- Soft, rubber Touch-Clean® spray holes allow you to easily wipe away calcium and lime buildup from the spray face of your shower head and hand shower with the touch of a finger
- Pause feature reduces water to a trickle, giving you space for shaving, lathering and other shower tasks while maintaining your temperature settings
- WaterSense® labeled shower heads use at least 20% less water than the industry standard without compromising performance
- Backed by Delta Faucet's Lifetime Limited Warranty



Bathroom / Showering / Shower Components / Diverters & Volume Controls

LINEAX™

[View Full Lineax™ Bathroom Collector](#)



## 6-Setting 3-Port Diverter Trim In Stainless

MODEL#: T11962-SS



[Write a review](#) [Ask a question](#)

Stainless

Standard Finishes



[ADD TO FAVORITES](#)  
[FIND LOCAL DELTA® INSTALLERS.](#)

List Price: ~~\$230<sup>00</sup>~~ **\$195.<sup>00</sup>**

PRODUCT FEATURES

DOCUMENTS & SPECS

REVIEWS

Q&A

Embrace elegance through refined minimalism with the Delta® Lineax™ Bath Collection. Inspired by the timeless beauty of modern architecture, the Lineax™ Collection harmonizes soft angles and horizontal lines to create a serene, sophisticated atmosphere. Complete your custom shower with this 6-setting diverter trim, which provides three individual and three shared positions. You can install with confidence, knowing that Delta products are backed by our Lifetime Limited Warranty and highly trained, live customer support.

- CUSTOMIZABLE EXPERIENCE: 6-function diverter offers 3 individual positions and 3 shared positions to customize your shower experience
- ADA-COMPLIANT DESIGN: ADA-compliant lever handle makes it easy to adjust diverter
- ROUGH-IN KIT REQUIRED: Trim kit only, must order diverter rough-in (R11000 series) separately to complete the unit