

# Installation Instruction: Precast Concrete Base Cutting

## Overview

Field conditions or special circumstances may prevent installing the precast concrete base to full burial depth. If this occurs, contact your Musco project engineer. Musco will review the situation and provide an alternate foundation design. The alternative design may require a shortened base. Do not attempt to alter the precast concrete base without approval from Musco.

When shortening the base it is critical to make a clean cut and seal the end with epoxy. This instruction details the procedure for cutting and sealing the base in the field. Shortening the base compromises performance of the integrated lightning protection system. Musco provides a pole grounding kit to replace the integrated protection.

## Tools/Materials Needed

### Installer Supplied

- 12 in (300 mm) concrete saw with diamond blade
- Blocking to support and secure base during cutting
- Personal protective equipment including gloves, goggles or glasses and face shield, hearing protection, and dust mask
- Mixing bucket and stir stick (to mix epoxy)
- Paintbrush (to apply epoxy)
- Chalk (to mark cutline)
- Measuring tape
- Heavy hammer

### Musco Supplied

- Two-part epoxy coating: Sikagard® 62 (can only be shipped by standard freight, you may source locally if desired. If using an equivalent epoxy, contact your project engineer for approval.)
- Base cutting instructions (this document)
- Material safety datasheets
- Grounding kit

## Cutting Procedure



### Warning Crushing hazard

Precast concrete base is heavy and can roll. Secure bases at all times during transportation, processing, and storage.

### Cutting hazard

Only qualified and trained operators should operate concrete saw.

### Personal Protective Equipment (PPE)

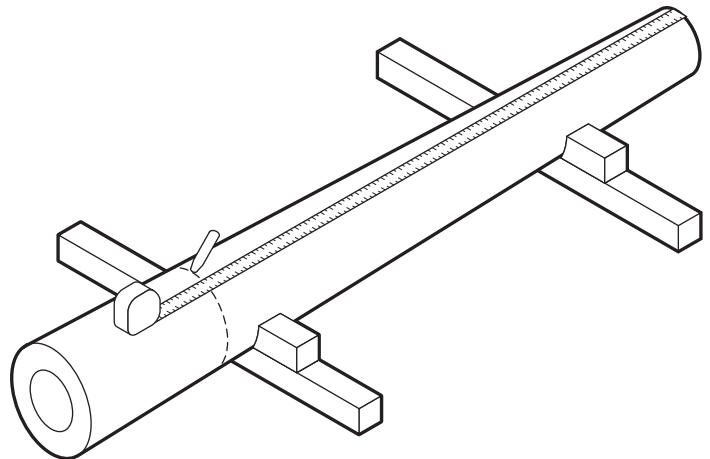
Wear appropriate PPE, including gloves, goggles or glasses and face shield, hearing protection, and respiratory protection while cutting concrete base.

1

Measure length of base to cut from bottom per stamped alternate foundation design. Measure from tapered end (top) and mark with chalk.

2

Chock base to prevent from rolling. Elevate and support above cut line to keep saw blade from binding. Waste end should fall away.



# Installation Instruction: Precast Concrete Base Cutting

## Cutting Procedure

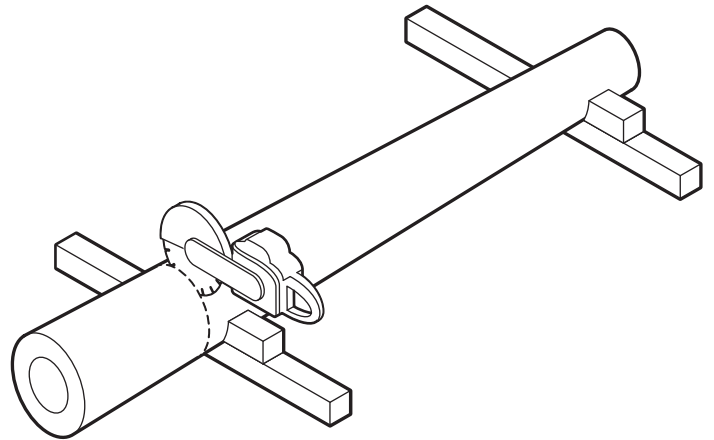


### Warning Crushing hazard

Cut end may fall abruptly. Keep feet and legs away.

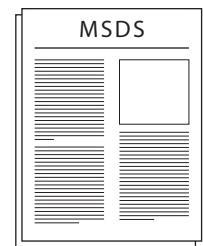
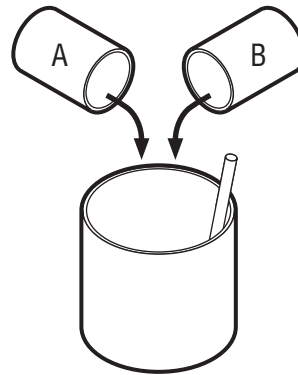
3

Cut on line. Rotate base to finish cut. If cut end does not drop when cut is complete, give a few blows with a heavy hammer.



4

Read instructions and SDS/MSDS for epoxy coating. Wear recommended PPE in accordance with SDS/MSDS to protect yourself from epoxy exposure. Mix epoxy and hardener according to manufacturer's directions.



5

Spread even coat of epoxy around cut end using paintbrush. Work quickly to ensure material is applied within recommended open time. Allow epoxy to cure per manufacturer's recommendation.



Ensure epoxy coverage is complete. This is critical to prevent base degradation from water intrusion.



Install base according to alternative foundation design. Follow installation instructions provided with pole grounding kit.

