



City of Cartersville
 P.O. Box 1390
 1 North Erwin Street
 Cartersville, GA 30120

DATE: September 19, 2022
 TO: Automobile /Truck Dealers
 Fleet Sales Personnel
 FROM: Bill Trott, Garage Supervisor
 RE: Vehicle Bids

Enclosed is the bid request sheet along with the other documents for the vehicle that the **City of Cartersville FIBERCOM Department** will be purchasing. If you have any questions on the vehicle, please contact the individual listed on the top of the vehicle specifications page.

Bids must be submitted in the same format as the attached sheets, prices must be good for 60 days from date of bid deadline, and bidders must furnish specification sheets to support submitted bids. Bid prices must include all costs including delivery charges.

Deadline for submission of vehicle bids is, October 10, 2022 at 10:00 A.M. EST at the City Manager's office 1 North Erwin Street, Cartersville, Georgia. ALL DOCUMENTATION INCLUDED IN THE BID PACKAGE MUST BE COMPLETED AND SUBMITTED WITH THE QUOTES TO BE CONSIDERED FOR AWARD

A summary of the vehicle to be purchased:

<u>Department</u>	<u>Type of Vehicle</u>	<u>Quantity</u>
Fibercom Department	Transit Cargo Van	1

The following documents have been included in this bid package and all of these documents should be included in your return bid to the City:

- | | |
|----------------------------|--------------------------------------|
| 1) Vehicle Specifications | 4) Certificate of Non-Discrimination |
| 2) Non-Collusion Affidavit | 5) Drug-Free Work Place Certificate |
| 3) Bidders Declaration | |

Send or deliver your bid in a sealed envelope marked " **Transit Cargo Van** " to my attention at:
 City of Cartersville
 P.O. Box 1390
 Cartersville, GA 30120

The City reserves the right to reject any or all bids or to accept only that bid which the City deems is in their best interest.

BIDDERS DECLARATION

The bidder understands, agrees and warrants:

That the bidder has carefully read and fully understands the full scope of the specifications.

That the bidder has the capability to successfully undertake and complete the responsibilities and obligations in said specifications.

That the bidder has liability insurance and a declaration of insurance form is included in the bid package.

That this bid may be withdrawn by requesting such withdrawal in writing at any time prior to **October 7, 2022 @ 10:00am** but may not be withdrawn after such date and time.

That the City of Cartersville reserves the right to reject any or all bids and to accept that bid which will, in its opinion, best serve the public interest. The City of Cartersville reserves the right to waive any technicalities and formalities in the bidding.

That by submission of this bid the bidder acknowledges that the City of Cartersville has the right to make any inquiry or investigation it deems appropriate to substantiate or supplement information supplied by the bidder.

If a partnership, a general partner must sign.

If a corporation, the authorized corporate officer(s) must sign and the corporate seal must be affixed to this bid.

BIDDER:

Charles D. Prater VP

Name Title

Name Title

AFFIX CORPORATE SEAL (If Applicable)

CERTIFICATE OF NON-DISCRIMINATION

In connection with the performance of work under this contract, the bidder agrees as follows:

The bidder agrees not to discriminate against any employee or applicant for employment because of race, creed, color, sex, national origin, ancestry or disability. The vendor shall take affirmative action to insure that employees are treated without regard to their race, creed, color, sex, national origin, ancestry or disability. Such action shall include, but not be limited to the following: employment, upgrading, demotion, transfer, recruiting or recruitment, advertising, lay-off or termination, rates of pay or other compensation and selection for training, including apprenticeship.

In the event of the bidder's non-compliance with this non-discrimination clause, the contract may be canceled or terminated by the City of Cartersville. The bidders may be declared, by the City of Cartersville, ineligible for further contracts with the City of Cartersville until satisfactory proof of intent to comply shall be made by the vendor.

The bidder agrees to include this non-discrimination clause in any sub-contracts connected with the performance of this agreement.

Prater Ford Inc.

Bidder

Charonl. Brown

Signature

VP

Title

NON-COLLUSION AFFIDAVIT

The following affidavit is to accompany the bid:

STATE OF Georgia

COUNTY OF Gordon

Owner, Partner or Officer of Firm Charles D. Prater

Company Name, Address, City and State Prater Ford, Inc
705 South Wall Street Calhoun, Ga. 30701

Being of lawful age, being first duly sworn, on oath says that he/she is the agent authorized by the bidder to submit the attached bid. Affidavit further states as bidder, that they have not been a party to any collusion among bidders in restraint of competition by agreement to bid at a fixed price or to refrain from bidding; or with any office of the City of Cartersville or any of their employees as to quantity, quality or price in the prospective contract; or any discussion between bidders and any official of the City of Cartersville or any of their employees concerning exchange of money or other things of value for special consideration in submitting a sealed bid for:

Prater Ford, Inc

Firm Name
Charles D. Prater

Signature
CP

Title

Subscribed and sworn to before me this _____ day of _____ 20____.

Notary Public

**CITY OF CARTERSVILLE
DRUG-FREE WORKPLACE CERTIFICATE**

By signature on this certificate, the Bidder certifies that the provisions of O.C.G.A. Section 50-24-1 through 50-24-6 related to the "Drug-Free Workplace Act" will be complied with in full.

The Bidder further certifies that:

1. A drug-free workplace will be provided for the Bidder's employees during the performance of the contract; and

2. Each contractor who hires a subcontractor to work in a drug-free workplace shall secure from that subcontractor the following written certification: "As part of the subcontracting agreement with (contractor's name), (subcontractor's name) certifies to the contractor that a drug-free workplace will be provided for the subcontractor's employees during the performance of this contract pursuant to O.C.G.A.

Section 50-24-3(b)(7)."

By signature on this certificate, the Bidder further certifies that it will not engage in the unlawful manufacture, sale, distribution, dispensation, possession, or use of a controlled substance or marijuana during the performance of the contract.

Prater Ford

Bidder

Charles D. Prater

Authorized Signature

Charles D. Prater

Printed Name

VP

Title

9-17-22

Date

City of Cartersville

FIBERCOM

JEREMY MAXWELL 770-387-5608

Two-Wheel Drive Transit Cargo van

Quantity: 1

Model Year Current

Specify Year

Vehicle to be delivered to City of Cartersville Garage located at 500 S. Tennessee St,
Cartersville, GA 30120

Contact Bill Trott 770-387-5786 at the Garage to arrange delivery

Vendor Information:

The vehicle offered shall be comparable with detailed requirements listed below (unless otherwise noted). Bidders are to indicate in the "Meets Specifications" column if bid specifications are met and can provide additional comments if necessary. **If the Meets Specification column is not marked, or it is incomplete, your bid will not be considered for award.**

Until all the information is furnished. **Do not use "comply", "yes", "OK", "Same", an "X", a "V", checkmark, or a (") Ditto mark.**

City of Cartersville reserves the right to reject any or all bids.

(all bid specifications are minium specifications)

Supporting Data:

Bidders must furnish catalog pages, specification sheets, or similar data to support statements made in Meets Specifications Column. Failure to furnish required data may be considered as a cause for rejection of bid.

Fibercom Vehicle	<u>Meets Specifications</u>		COMMENTS
	<u>YES</u>	<u>NO</u>	
Wheel Base 120"	X		121" Wheelbase
Rear Cargo Area	X		
Min 120 HP Gas Engine	X		
front Wheel Drive	X		
Tinted Rear Windows	X		Privacy Glass in Rear Doors
Automatic Transmission	X		
Power Steering	X		
Air Conditioning	X		
Cloth Seats	X		
AM/FM Stereo with Bluetooth	X		
3 sets keys	X		2 Additional Included
Vynal Flooring	X		
Power Windows/Locks	X		
Intermittent Windshield Wipers	X		
Exterior Color - White	X		

Tire Jack and Tools	X			
16"Wheels w/ All Season Tires	X			
Tilt Steering	X			
DC Power Source Front	X			
Duel Sliding doors	X			
Rear Symmetrical Doors	X			
Rear Storage Package Telecom/Electrical	X			
Total Unit Price				
Anticipated number of weeks until delivery (after approval): 16-18 weeks				
List additional options or other pertinent information.				

Adrian Steel
(LWB) w/ Starter Electrical Pkg \$ 35,991.88 / RH

Ranger Design
(LWB) Pkg \$ 36,440.88



CNGP530

VEHICLE ORDER CONFIRMATION

09/17/22 09:49:03

==>

Dealer: F21422

2023 TRAN CONNCT VAN

Page: 1 of 1

Order No: 0000 Priority: M1 Ord FIN: QD456 Order Type: 5B Price Level: 315

Ord Code: 100A Cust/Flt Name: CARTERSVILLE PO Number:

RETAIL

RETAIL

S7S TRAN CON-VAN-XL \$32290

924 PRIVACY GLASS \$190

.121" WHEELBASE

SP DLR ACCT ADJ

Z2 FROZEN WHITE

SP FLT ACCT CR

C CLOTH SEATS

FUEL CHARGE

B EBONY

B4A NET INV FLT OPT

100A ORDER CODE

PRICED DORA

992 .2.0L ENGINE

DEST AND DELIV 1695

448 .8 SPD AUTO TRAN

TOTAL BASE AND OPTIONS 34515

T55 .P215/55R16 BSW

TOTAL 34515

FLEET SPCL ADJ

THIS IS NOT AN INVOICE

19Z WIFI 4G DELETE (20)

20V 5302# GVWR

425 50 STATE EMISS

NC

55A FIXED RR GLASS

295

87R KEY FOBS

65

F1=Help

F2=Return to Order

F3/F12=Veh Ord Menu

F4=Submit

F5=Add to Library

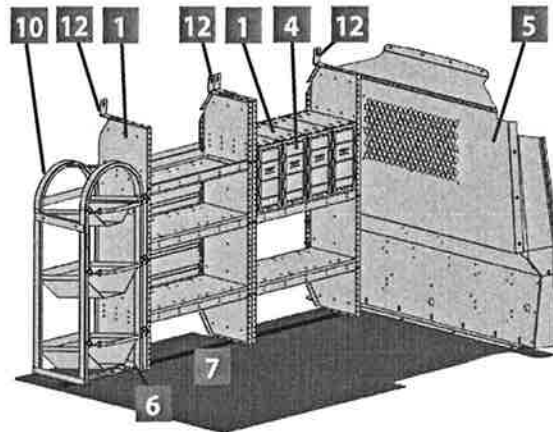
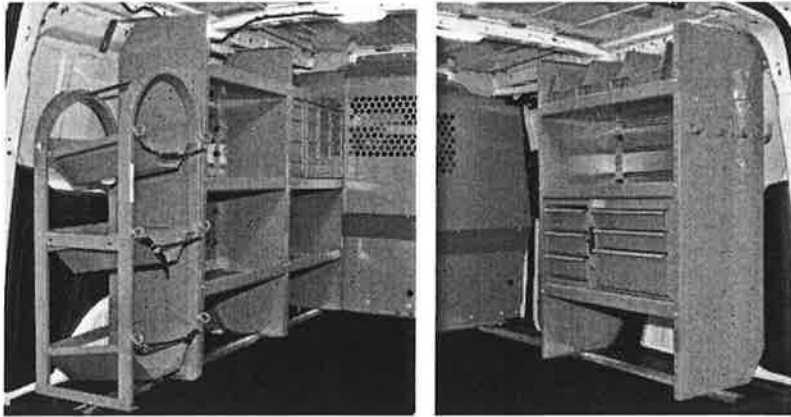
QC00257

S099 - PRESS F4 TO SUBMIT

V1DP0002

2,6

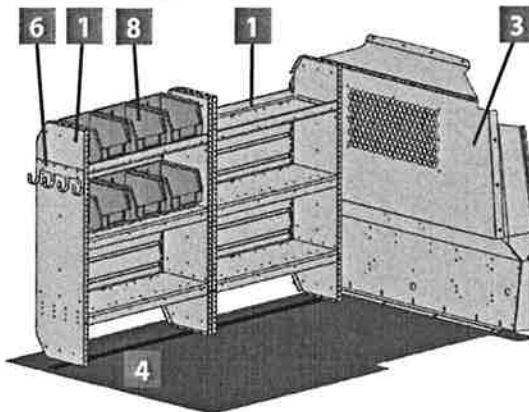
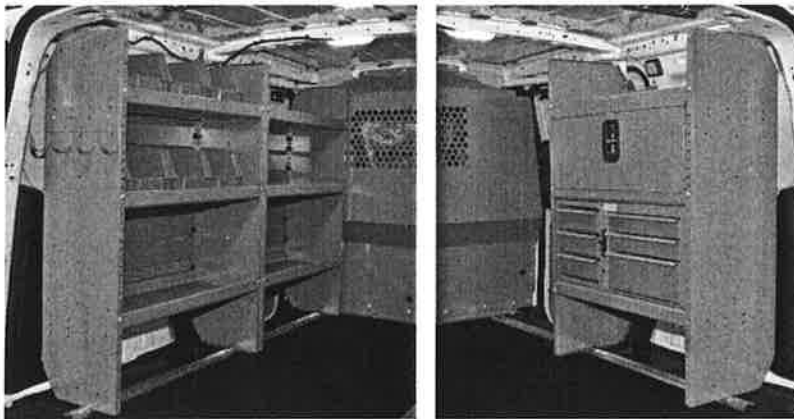
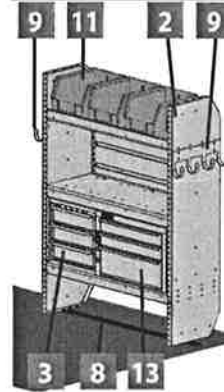
TRANSIT CONNECT



**5217
HVAC STARTER PACKAGE**

2014-on Transit Connect LWB

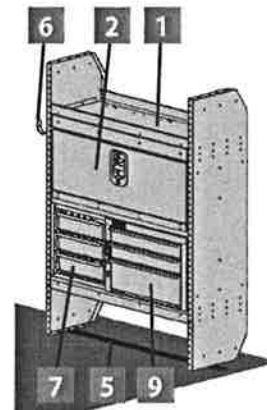
ITEM	MODEL	DESCRIPTION	QTY
1	AD1226TC14	Adjustable 3-Shelf Unit	2
2	AD1232TC14	Adjustable 3-Shelf Unit	1
3	DC12	3-Drawer Unit	1
4	DC6	3-Drawer Unit	4
5	P2TCS14	Steel Partition w/ Visibility	1
6	RKAWTR	Welded Tank Rack Rail Adapter	1
7	RKDTC14	Mounting Rail Kit	1
8	RKTC14	Mounting Rail Kit	1
9	TA1	4-Hook Bar	2
10	WTR130250	Welded Tank Rack	1
11	28	Parts Bin	3
12	46361-G	Mounting Bracket	3
13	919	3-Drawer Unit w/ Lock	1



**5220
ELECTRICAL STARTER PACKAGE**

2014-on Transit Connect LWB

ITEM	MODEL	DESCRIPTION	QTY
1	AD1232TC14	Adjustable 3-Shelf Unit	3
2	DK32TC	Door Kit	1
3	P2TCS14	Steel Partition w/ Visibility	1
4	RKDTC14	Mounting Rail Kit	1
5	RKTC14	Mounting Rail Kit	1
6	TA1	4-Hook Bar	2
7	DC12	3-Drawer Unit	1
8	28	Parts Bin	6
9	919	3-Drawer Unit w/ Lock	1



Upfit Summary

You're almost done!

Review your summary and request a local quote to receive the best offers and pricing available.



Long 120" Wheelbase

**Electrician Van Shelving Package, Ford Transit
Connect Long WB - TCL-11**



1 x T4 Series Cargo Van Shelving, 60" Wide, 3 Trays - T4-RS60-3



1 x T4 Series Cargo Van Shelving, 36" Wide, 3 Trays - T4-RS36-3



1 x Transit Connect Partition, Contoured, Perf Window - C10-E



1 x 6 Inch Hook, Cargo Van Accessory - 6070



2 x Steel Van Drawer Cabinet with 9 Divided Drawers - X51-F

9/19/22, 10:37 AM

Configuration Summary - Ranger Design Configurator



5 x Van Shelving Bin, 14" Deep - 62-U1114



1 x 77 Series, Aluminum Shelving Door for 36" Openings - 77-U1036



2 x Van Shelving Set of 5 Dividers with Clips, 14" depth - 62-UDR14



