



TEREX®

CUSTOMER ORDER ACKNOWLEDGEMENT

Terex Utilities, Inc. - 3140 15th Avenue SE - Watertown, SD 57201 - Phone: 605-882-4000

Sourcewell 2022 Pricing 110421-TER

Date: **8/31/2022**

Quote Number: QU22094

Unit: LT40

City of Cartersville

320 SOUTH ERWIN ST
CARTERSVILLE, Georgia 30120
770-385-2120
Attention: Freddy L, Morgan

Baseline Price: \$96,711
Chassis: \$56,343

Grand Total Each: \$153,054

Prices are subject to change until shipment. Applicable taxes and surcharges to be added. Taxes, shipping, handling and lead times are estimates and subject to change. Quoted prices are based on total package and subject to change if all items not purchased. All prices quoted are in U.S. dollars unless otherwise specified. Payment by cash or certified check only. Chassis price based off current pricing available at time of quote. Pricing is subject to change based on vehicle sourcing; final price to be confirmed prior to time of invoice. Quote withdrawn after 30 days.

Please ensure the accuracy of the specifications and drawings you provide. Changes made after receipt of order may incur additional charges. If you are trading equipment in, you warrant that: You have good title to the trade-in; it is free of all liens and encumbrances; all information you have provided related to the trade-in is true and correct.

Terex purchased chassis through Terex preferred International Dealer will include at no additional cost a special tow package for 12 months/unlimited mileage to nearest International Dealership for a warrantable failure. Coverage limited to \$550 per incident. Roadside assistance call 1-800-448-7825

Terex purchased chassis through Terex preferred Freightliner Dealer will include at no additional cost a special tow package for 12 months/unlimited mileage/KM extended towing coverage \$550 cap FEX applies. Roadside assistance call 1-800-FTL-HELP

Notes:

- 1) Delivery Terms are: CPT Destination
- 2) Terms: Net 30 days
- 3) Delivery days from receipt of order shall be 360+

Buyer hereby agrees to purchase the products in this quotation, subject to acceptance by Seller. Buyer has read and agrees to Seller's Terms and Conditions of Sale.

Terex Utilities Inc.

Nathan Weber
Sales Coordinator

Tony Mills
Account Manager

⚠WARNING Cancer and Reproductive Harm
www.P65Warnings.ca.gov

Accepted By: _____

PO Number: _____


Quantity: _____

Grand Total: _____

Date: _____

Options

Date	8/26/22
Quote(s) #	QU22094
Customer Name	City of Cartersville
Customer PO #	

No.	Description	Selling Price	Options:
1	Option for Ram 4x2 Chassis in leu of Ford 4x2 chassis included in base quote	-\$2,700	<input type="checkbox"/> Add Option
2	Option for Ram 4x4 Chassis in leu of Ford 4x2 chassis included in base quote	\$767	<input type="checkbox"/> Add Option
3	Option for Ford 4x4 Chassis in leu of Ford 4x2 chassis included in base quote	\$3,208	<input type="checkbox"/> Add Option
4		\$0	<input type="checkbox"/> Add Option
5		\$0	<input type="checkbox"/> Add Option
6		\$0	<input type="checkbox"/> Add Option
7		\$0	<input type="checkbox"/> Add Option
8		\$0	<input type="checkbox"/> Add Option
9		\$0	<input type="checkbox"/> Add Option
10		\$0	<input type="checkbox"/> Add Option
11		\$0	<input type="checkbox"/> Add Option
12		\$0	<input type="checkbox"/> Add Option
		Total:	<input type="checkbox"/> Add Option

TERMS AND CONDITIONS OF SALE
TEREX SOUTH DAKOTA, INC./TEREX UTILITIES, INC.
U.S. and CANADA (except Quebec)

1. Terms and Conditions. The provision by Seller to Buyer of any Equipment or Parts (collectively referred to as “Products”) shall be exclusively governed by these Terms and Conditions of Sale (“Terms and Conditions”) and Seller’s sales order acknowledgement (collectively referred to as “Agreement”). This Agreement cancels and supersedes any and all terms and conditions previously issued by Seller and shall remain in effect unless and until superseded in writing by Seller. Acceptance of an order for Products by Seller shall be deemed to constitute a binding agreement between the parties pursuant to these Terms and Conditions and Buyer agrees that the order may not thereafter be countermanded or otherwise changed without the explicit prior written consent of Seller. No other terms and conditions shall apply, including the terms of any purchase order submitted to Seller by Buyer, whether or not objected to by Seller or whether or not such terms are inconsistent or conflict with or are in addition to these Terms and Conditions. These Terms and Conditions shall be deemed accepted by Buyer if any of the following occurs: (i) if confirmed by Buyer, (ii) if undisputed by Buyer within ten (10) days after receipt, or (iii) if Seller delivers Products to Buyer. Any communication construed as an offer by Seller and acceptance thereof is expressly limited to these Terms and Conditions. The Products are intended for industrial/commercial use by professional contractors and their trained employees and are not intended for use by consumers.

2. Terms of Payments. Payment for Products purchased by Buyer shall be made in accordance with any of the following terms, provided they have been previously arranged with and expressly approved by Seller in writing: (1) cash in advance; (2) confirmed, irrevocable letter of credit established in such amount and form and at such time and at such bank as shall be approved by Seller in respect of each order; (3) credit account purchases for which payment will be due and payable on net thirty (30) day terms, plus service and other charges applicable to past due amounts in accordance with Seller’s written notices; or (4) other payment arrangements expressly approved by Seller in writing prior to or at the time the order is placed. If any Buyer credit account purchase is not paid in accordance with Seller’s credit payment terms, in addition to any other remedies allowed in equity or by law, Seller may refuse to make further shipments without advance payment by Buyer. Nothing contained herein shall be construed as requiring Seller to sell any Products to Buyer on credit terms at any time, or prohibiting Seller from making any and all credit decisions which it, in its sole discretion, deems appropriate for Seller. Seller shall have the right, at its option, to charge interest on all amounts not paid when due and Buyer agrees to pay such interest calculated on a daily basis, from the date that payment was due until the Seller receives payment in full, at the rate of 1.5% per month or the maximum rate permitted by applicable law. Unless otherwise agreed in writing between Seller and Buyer, Seller may, in its sole discretion, increase or decrease the price of any Product, as Seller deems reasonably necessary, at any time prior to shipment and invoice Buyer for the same. If Buyer orders the chassis through Seller, the chassis payment is due upon receipt of chassis by Seller and the balance owed for the completed unit is due in accordance with agreed upon payment terms. When supplied by Buyer, Seller will inspect the chassis upon receipt and will notify Buyer of any chassis mounted components (including but not limited to fuel tanks, air tanks, battery boxes and exhaust systems) that require relocation. Buyer will be invoiced for such work upon completion of the finished Equipment.

3. Taxes and Duties. Unless otherwise noted, prices quoted do not include taxes or duties of any kind or nature. Buyer agrees that it will be responsible for filing all tax returns and paying applicable tax, duty, export preparation charge and export documentation charge resulting from the purchase of the Products. In addition, in the event any other similar tax is determined to apply to Buyer’s purchase of the Products from Seller, Buyer agrees to indemnify and hold Seller harmless from and against any and all such other similar taxes, duties and fees. All prices quoted are U.S. dollars unless otherwise specified. The amount of any present or future taxes applicable to the sale, transfer, lease or use of the Products shall be paid by Buyer; or in lieu thereof, Buyer shall provide Seller with a tax exemption certificate satisfactory to the applicable taxing authority proving that no such tax is due and payable upon such sale, transfer, lease or use.

4. Title, Property, Risk and Delivery. Unless otherwise stated in writing, for all intra-continental United States shipments, all prices and delivery are FCA, point of manufacture (Incoterms 2020); for all other shipments, all prices and delivery are FAS, named port of shipment (Incoterms 2020). Title and all risk of loss or damage to Products shall pass to Buyer upon delivery, as per Incoterms 2020. Any claims for loss, damage or delay in transit must be entered and prosecuted by the Buyer directly with the carrier, who is hereby declared to be the agent of the Buyer. Seller shall not be liable for any delay in performance of this agreement or delivery of the Products, or for any damages suffered by Buyer by reason of delay, when the delay is caused, directly or indirectly, by a force majeure event described in Section 20 herein or any other cause beyond Seller’s control. Claims for shortages in shipments shall be deemed waived and released by Buyer unless made in writing within five (5) days after Buyer’s receipt of shipment. Seller’s responsibility for shipment shall cease upon delivery of the Products to the place of shipment, and all claims occurring thereafter shall be made to or against the carrier by Buyer. Delivery shall generally be 240 to 270 days after receipt by Seller of a signed Order, provided that, where applicable: (1) Seller receives the chassis a minimum of 90 days prior to scheduled delivery, (2) drawings are timely sent by Buyer and the approved drawings are returned to Seller by Buyer by the requested date, (3) all vendor-supplied components and Buyer-supplied accessories are received by Seller by the date necessary to comply with scheduled delivery. Seller shall not be liable for any delay in performance of this agreement or delivery of the Products, or for any damages suffered by Buyer by reason of delay, when the delay is caused, directly or indirectly, by a force majeure event described in Section 20 herein or any other cause beyond

Seller's control. Claims for shortages in shipments shall be deemed waived and released by Buyer unless made in writing within fifteen (15) days after Buyer's receipt of shipment. Seller's responsibility for shipment shall cease upon delivery of the Parts and or Equipment to the place of shipment, and all claims occurring thereafter shall be made to or against the carrier by Buyer.

5. Delays Caused By Buyer. In the event of a delay in shipment or delivery due to delay by Buyer in furnishing delivery instructions, arranging a method of payment satisfactory to Seller, submitting valid import permits or licenses, or any other delay caused by Buyer or at Buyer's request, if the Products are not shipped or delivered within five (5) days from the first date they are ready to be shipped or delivered, then Seller shall be entitled to charge, as compensation, any additional costs incurred related to such delay. If the Products are not shipped or delivered by the date which is ten (10) days from the first date they are ready to be shipped or delivered, then Buyer's order shall be deemed cancelled and Seller may, in its sole discretion, sell such Products to another buyer without any liability or responsibility to Buyer whatsoever. Seller shall have the right to keep payments on account already received from Buyer, and the difference between the sales price (increased by any other and all further costs, including but not limited to attorney's fees and expenses, storage and other costs, and interest accrued thereon) and the price received from another buyer shall constitute a debt of Buyer and bear interest at the same rate set forth in Section 2 herein. Seller shall be entitled to claim for any further damages suffered as a consequence of Buyer's breach of its obligations hereunder.

6. Cancellation. Prior to delivery to place of shipment, a Product order may be cancelled only with Seller's prior consent and upon terms indemnifying Seller from all resulting losses and damages. Seller shall have the right to cancel and refuse to complete a Product order if any term and/or condition governing this agreement is not complied with by Buyer. In the event of cancellation by Seller, or in the event Seller consents to a request by Buyer to stop work or to cancel the whole or any part of any order, Buyer shall, in the event that Seller asks Buyer to do so, make reimbursement to Seller, as follows: (i) any and all work that can be completed within thirty (30) days from date of notification to stop work on account of cancellation shall be completed, shipped and paid in full; and (ii) for work in progress and any materials and supplies procured or for which definite commitments have been made by Seller in connection with the order, Buyer shall pay such sums as may be required to fully compensate Seller for actual costs incurred, plus fifteen percent (15%). Buyer may not cancel any order after Seller's delivery to place of shipment. Orders for "Special" Equipment may not be cancelled after acceptance, except by Seller. Items of "Special" Equipment are those that differ from standard Seller specifications, have a limited market, or incorporate specifications that have been determined for a specific application. Determination of whether an item of Equipment is "Special" shall be made by Seller in its sole discretion.

7. Inspection and Acceptance. Buyer agrees that it shall inspect the Products immediately after receipt and promptly (in no event later than fifteen (15) days after receipt) notify Seller in writing of any non-conformity or defect. Buyer further agrees that failure to give such prompt notice or the commercial use of the Products shall constitute acceptance. Acceptance shall be final and Buyer waives the right to revoke acceptance for any reason, whether or not known by Buyer at the time of such acceptance. The giving of any such notice by Buyer shall automatically cause the provisions of Seller's warranty to apply and govern the rights, obligations and liabilities of the parties with respect to such nonconformity or defect, provided under no circumstances shall rejection give rise to any liability of Seller for incidental or consequential damages or losses of any kind. Seller shall not be bound by any agent's, employee's or any other representation, promise or inducement not set forth herein. Seller's catalogues, technical circulars, price lists, illustrations, drawings and any other similar literature are for Buyer's general guidance only and the particulars contained in them shall not constitute representations by Seller and Seller shall not be bound by them.

8. Warranty for New Products. Seller warrants its new Equipment and Parts manufactured and sold worldwide, to be free, under normal use and service, of any defects in material or workmanship for a period of twelve (12) months from the date of delivery (as limited by Seller's Limited Product Warranty); provided that Buyer sends Seller written notice of the defect within thirty (30) days of its discovery and establishes that: (i) the Equipment has been operated and maintained in strict compliance with Seller's operating and maintenance manuals ; and (ii) the defect did not result in any manner from the intentional or negligent action or inaction of Buyer, its agents or employees and (2) a new machine registration certificate has been completed, signed and delivered to the Seller within thirty (30) days of the Equipment's "in-service" date. If requested by Seller, Buyer must return any defective Product to Seller's manufacturing facility, or other location designated by Seller, for inspection, and if Buyer cannot establish that conditions (i) and (ii) above have been met, then this warranty shall not cover the alleged defect. Failure to give written notice of defect within such period shall be a waiver of this warranty and any assistance rendered thereafter shall not extend or revive it. Accessories, assemblies and components included in the Products of Seller, which are not manufactured by Seller, are subject to the warranty of their respective manufacturers. This warranty shall not cover any item on which serial numbers have been altered, defaced or removed. Maintenance and wear parts are not covered by this warranty and are the sole maintenance responsibility of Buyer. This warranty is limited to the original purchaser or end-user if sold to a distributor, and is not assignable or otherwise transferable without written agreement of Seller. **THIS WARRANTY IS EXPRESSLY IN LIEU OF AND EXCLUDES ALL OTHER WARRANTIES, EXPRESS OR IMPLIED (INCLUDING THE WARRANTIES OF MERCHANTABILITY AND FITNESS FOR A PARTICULAR PURPOSE) AND ALL OTHER OBLIGATIONS OR LIABILITY ON SELLER'S PART. THERE ARE NO WARRANTIES THAT EXTEND BEYOND THE LIMITED WARRANTY CONTAINED HEREIN.** Seller neither assumes nor authorizes any other person to assume for Seller any other liability in connection with the sale of Seller's Products. This

warranty shall not apply to any of Seller's Products or any part thereof which has been subject to misuse, alteration, abuse, negligence, accident, acts of God or sabotage. No action by either party shall operate to extend or revive this limited warranty without prior written consent of Seller.

9. Warranty for Used Equipment. Used Equipment sold hereunder is sold on an "AS IS, WHERE IS, WITH ALL FAULTS" BASIS WITH NO WARRANTIES WHATSOEVER, EXCEPT AS TO TITLE, UNLESS OTHERWISE SPECIFICALLY AGREED IN WRITING BY BUYER AND SELLER. SELLER ASSUMES NO RESPONSIBILITY FOR THE CONDITION, SAFETY, LEGAL COMPLIANCE, OR USABILITY OF THE USED EQUIPMENT AND MAKES NO REPRESENTATION OR WARRANTY, EXPRESS OR IMPLIED, WITH RESPECT TO THE USED EQUIPMENT INCLUDING, WITHOUT LIMITATION, ANY IMPLIED WARRANTY OF MERCHANTABILITY OR FITNESS FOR A PARTICULAR PURPOSE. SELLER MAKES NO REPRESENTATION OR WARRANTY REGARDING THE CONDITION OF THE USED EQUIPMENT, NOR THE SUFFICIENCY OF ANY WARNINGS, INSTRUCTIONS OR MANUALS PROVIDED WITH THE USED EQUIPMENT. Seller recommends and Buyer acknowledges that Buyer should contact the original manufacturer to obtain all available information for the used Equipment, including but not limited to product manuals, warnings, safety bulletins, recall notices, and instructional placards before using the used Equipment. Seller shall not be responsible for providing such information. Buyer agrees not to assert any claims against Seller with respect to the used Equipment or its use. Buyer agrees that it shall inspect the used Equipment prior to issuance of a purchase order for such Equipment and acknowledges that it is not relying upon any photographs, images, videos, representations, statements or other assertions made by Seller with respect to the used Equipment's condition, but is relying upon its own knowledge and/or inspection of the used Equipment.

10. Remedies for Breach. IN THE EVENT OF ANY BREACH OF THE WARRANTY BY SELLER, THE PARTIES AGREE THAT SELLER'S LIABILITY SHALL BE LIMITED EXCLUSIVELY TO THE REMEDIES OF REPAIR OR REPLACEMENT (AT SELLER'S SOLE DISCRETION) OF ANY DEFECTIVE EQUIPMENT COVERED BY THE WARRANTY. In no event shall any repair or replacement of any defective equipment covered by the Seller's warranty extend the length of the warranty beyond the period specified in Section 8 herein.

11. Limitation of Liability. NOTWITHSTANDING ANYTHING CONTAINED IN THIS AGREEMENT TO THE CONTRARY, SELLER AND ITS AFFILIATES SHALL NOT BE LIABLE FOR, AND SPECIFICALLY DISCLAIM, ANY LIABILITY FOR ANY: (A) LOST PROFITS AND/OR BUSINESS INTERRUPTION (WHETHER DIRECT OR INDIRECT); AND (B) INDIRECT, INCIDENTAL, CONSEQUENTIAL (WHETHER DIRECT OR INDIRECT) OR OTHER DAMAGES OR LOSSES OF ANY KIND WHATSOEVER, including, without limitation, labor costs, lost profits, loss of use of other equipment, third party repairs, personal injury, emotional or mental distress, improper performance or work, penalties of any kind, loss of service of personnel, or failure of Products to comply with any federal, state, provincial or local laws, regardless of whether arising from a breach of contract, or warranty, legal claims or otherwise. **Nothing in this Section shall operate to exclude Seller's liability for death or personal injury when directly related to Seller's negligent act or omission.**

12. Limitation of Actions. Any action for breach of this agreement must be commenced within one (1) year after the cause of action has accrued.

13. Specification Changes. In the event Seller incurs additional expense because of changes in specifications or drawings previously approved by Buyer, or in the event Seller is required to modify the ordered Equipment, perform any additional work or supply any additional Products, the additional expense shall be added to the purchase price. Buyer must submit to Seller a revised purchase order specifying any and all requested changes. Upon receipt of Buyer's revised purchase order, Seller shall have the right, in its sole discretion, to accept or reject any changes in specifications requested by Buyer.

14. Trade-in Offers. Trade-in offers are subject to Seller's inspection and acceptance of the equipment, which must have been maintained to U.S. Department of Transportation operating and safety standards. All accessories on the equipment, including without limitation jibs, winches, pintle hooks and trailer connectors, must remain with the equipment unless otherwise agreed by Seller and Buyer in writing. Seller reserves the right to cancel any trade-in offers or agreements if these conditions are not met, or if Buyer has misrepresented any information about the trade-in unit.

15. Insurance. Until the purchase price of any Products is paid in full, the Buyer shall provide and maintain insurance equal to the total value of the Equipment delivered hereunder against customary casualties and risks; including, but not limited to fire and explosion, and shall also insure against liability for accidents and injuries to the public or to employees, in the names of Seller and Buyer as their interest may appear, and in an amount satisfactory to Seller. If the Buyer fails to provide such insurance, it then becomes the Buyer's responsibility to notify the Seller so that the Seller may provide same; and the cost thereof shall be added to the contract price. All loss resulting from the failure to affect such insurance shall be assumed by the Buyer.

16. Patents, Copyrights, Trademarks, Confidentiality. No license or other rights under any patents, copyrights or trademarks owned or controlled by Seller or under which Seller is licensed are granted to Buyer or implied by the sale of Products hereunder. Buyer shall not identify as genuine products of Seller products purchased hereunder which Buyer has treated, modified or altered in any way, nor shall Buyer use Seller's trademarks to identify such products; provided, however, that Buyer may identify such products as utilizing, containing or having been manufactured from genuine products

of Seller as treated, modified or altered by Buyer or Buyer's representative, upon prior written approval of Seller. All plans, photographs, designs, drawings, blueprints, manuals, specifications and other documents relating to the business of Seller ("Information") shall be and remain the exclusive property of Seller and shall be treated by Buyer as confidential information and not disclosed, given, loaned, exhibited, sold or transferred to any third party without Seller's prior written approval; provided, however, that these restrictions shall not apply to Information that Buyer can demonstrate: (a) at the time of disclosure, is generally known to the public other than as a result of a breach of this Agreement by Buyer; or (b) is already in Buyer's possession at the time of disclosure by from a third party having a right to impart such Information.

17. Default and Seller's Remedies. In the event of default by Buyer, all unpaid sums and installments owed to Seller, shall, at Seller's sole option, become immediately due and payable without notice of any kind to Buyer. In addition to its right of acceleration, Seller may pursue any and all remedies allowed by law or in equity, including but not limited to any and all remedies available to it under the Delaware Uniform Commercial Code. In addition to the foregoing, and not in limitation thereof, Seller shall have the right to set off any credits or amounts owed to Buyer against any amounts owed by Buyer to Seller.

18. Indemnification by Buyer. Buyer hereby agrees to indemnify, release, defend and hold harmless Seller, its directors, officers, employees, agents, representatives, successors, and assigns against any and all suits, actions or proceedings at law or in equity (including the costs, expenses and reasonable attorney's fees incurred in connection with the defense of any such matter) and from any and all claims demands, losses, judgments, damages, costs, expenses or liabilities, to any person whatsoever (including Buyer's and Seller's employees or any third party), or damage to any property (including Buyer's property) arising out of or in any way connected with the performance or the furnishing of Products under this agreement, regardless of whether any act, omission, negligence (including any act, omission or negligence, relating to the manufacture, design, repair, erection, service or installation of or warnings made or lack thereof with respect to any Products furnished hereunder) of Seller, its directors, officers, employees, agents, representatives, successors or assigns caused or contributed thereto. If Buyer fails to fulfill any of its obligations under this paragraph or this agreement, Buyer agrees to pay Seller all costs, expenses and attorney's fees incurred by Seller to establish or enforce Seller's rights. The provisions of this paragraph are in addition to any other rights or obligations set forth in this agreement.

19. Installation. Unless otherwise expressly agreed in writing, Buyer shall be solely responsible for the installation and erection of the Products purchased. Although Seller may in some cases provide a serviceman, data and drawings to aid Buyer with installation or start-up, Seller assumes no responsibility for proper installation or support of any Products when installed and disclaims any express or implied warranties with respect to such installation and support. Notwithstanding whether data and drawings are provided or a serviceman aids in the installation, Buyer shall indemnify and hold Seller harmless and at Seller's request, defend Seller from all claims, demands or legal proceedings (including the costs, expenses and reasonable attorney's fees incurred in connection with the defense of any such matter) which may be made or brought against Seller in connection with damage or personal injury arising out of said installation or start-up.

20. Force Majeure. Seller shall not be liable to Buyer or be deemed to be in breach of this agreement by reason of any delay in performing, or any failure to perform, any of Seller's obligations in relation to the Products if the delay or failure was due to any cause beyond the reasonable control of Seller including (without limitation) strike, lockout, riot, civil commotion, fire, accident, explosion, tempest, act of God, war, epidemic, stoppage of transport, terrorist activity, supply shortage or changes in government, governmental agency, laws, regulations or administrative practices.

21. Anti-Corruption; Export Controls; No Boycotts. Buyer agrees that it shall, and that any party retained or paid by the Buyer ("Retained Party") shall, comply with all applicable laws including, but not limited to, laws prohibiting public corruption and commercial bribery. Buyer further agrees that it shall, and that any Retained Party shall, comply with all applicable export controls, economic sanctions, embargoes and regulations regarding the export, re-export, shipment, distribution and/or sale of Products, technology, information or warranty related services. Buyer further agrees that it shall not, and any Retained Party shall not, export or re-export Products, technology, information or warranty related services directly or with its knowledge indirectly into Iran, Sudan, Cuba, Syria, North Korea, the Crimea Region of the Ukraine or Russia without Buyer first obtaining written approval from Seller. Failure to comply strictly with this section and all applicable laws, regulations and licensing/approval requirements shall be grounds for immediate termination of this agreement by Seller. Notwithstanding anything to the contrary contained in any agreement between the Buyer and Seller or in any other document or agreement relating to the Products sold hereunder, Seller will not comply with requests related to the boycott of any country or other jurisdiction, except to the extent such boycott is required by or otherwise not inconsistent with United States law.

22. Telematics. If a telematics system is included with the Equipment, the telematics system is administered by a third party ("Teleservice Provider") and collects a range of operational data about the Equipment including, but not limited to, usage, performance and reliability. Buyer consents to Seller's obtaining such data from the Teleservice Provider for warranty, product improvement, marketing and customer support purposes and to Seller's management and reporting of data (personal and non-personal) about the Equipment including, but not limited to, fuel consumption, up/down times, operation, defects, parts replacement, movement and location. Buyer shall, to the extent required by applicable law, obtain consent from its customers and/or any third party for Seller and/or third parties to provide teleservices and data to Buyer. Buyer shall

comply with all applicable laws relating to the provision of teleservices. Buyer agrees to be bound by the current version of the Terex Telematics Terms of Use at <https://www.terex.com/en/products/telematics-tou>.

23. Construction and Severability. These Terms and Conditions of Sale constitute the entire agreement between the parties regarding the subject matter hereof and shall be construed and enforced in accordance with the laws of Delaware. The United Nations Convention on Contracts for the International Sale of Goods (1980) (CISG) shall not apply. The invalidity or unenforceability of any provisions of this agreement shall not affect any other provision and this agreement shall be construed in all respects as if such invalid or unenforceable provision were omitted.

24. Jurisdiction. The parties agree that the proper and exclusive forum and venue in all legal actions brought to enforce or construe any provisions herein shall be in United States District Court, District of Delaware or, if federal jurisdiction is lacking in such action, in New Castle County Superior Court in Delaware.

25. No Assignment. No rights arising under this agreement may be assigned by the Buyer unless expressly agreed to in writing by the Seller.

26. No Set-off. Buyer shall have no right to set-off any amounts it may owe Seller against amounts Seller may owe Buyer under this or any other agreement between Buyer and Seller.

27. Miscellaneous. Buyer represents that: (i) it is solvent and has the financial ability to pay for the Equipment and Parts purchased hereunder and (ii) it has all requisite right, power and authority to perform its obligations under this agreement.

Buyer's Initials: _____



LIMITED PRODUCT WARRANTY

TEREX Utilities, Inc. and TEREX South Dakota, Inc. (each a "Seller"), as to the equipment manufactured by each respective company, warrants its new equipment and parts manufactured and sold worldwide to be free, under normal use and service, of any defects in manufacture or materials for a period of **12 months from date of delivery to the first end user, but in no event longer than 18 months from date of shipment from the factory**; provided that (1) Seller receives written notice of the defect within thirty (30) days of its discovery and Buyer establishes that (i) the equipment has been maintained and operated within the limits of rated and normal usage; and (ii) the defect did not result in any manner from the intentional or negligent action or inaction by Buyer, its agents or employees, and (2) a new machine registration certificate has been completed and received by Seller within thirty (30) days of the equipment's "in-service" date. If requested by Seller, Buyer must return the defective equipment to Seller's manufacturing facility, or other location designated by Seller, for inspection, and if Buyer cannot establish that conditions (1) (i) and (1) (ii) above have been met, then this warranty shall not cover the alleged defect.

Seller's obligation and liability under this warranty is expressly limited to, at Seller's sole option, repairing or replacing, with new or remanufactured parts or components, any part which appears to Seller upon inspection to have been defective in material or workmanship. Such parts shall be provided at no cost to the owner, FOB Seller's parts facility (Incoterms 2010). If requested by Seller, components or parts for which a warranty claim is made shall be returned to Seller at a location designated by Seller. All components and parts replaced under this warranty become the property of Seller. This warranty shall be null and void if parts (including wear parts) or attachments other than genuine OEM Seller parts or approved attachments are used in or attached to the equipment.

Accessories, assemblies and components included in Seller's equipment, which are not manufactured by Seller, are subject to the warranty of their respective manufacturers. Normal maintenance, adjustments, or maintenance/wear parts, are not covered by this warranty and are the sole maintenance responsibility of Buyer.

The following structural members have a lifetime parts only warranty for the original Buyer after date of shipment from Seller: sub frame, pedestal, turntable, and boom. Replacement of fiberglass jibs, seals, gaskets, hoses, and exterior coating is not covered under the lifetime warranty. The lifetime warranty requires an annual service inspection of the equipment by an authorized distributor of Seller. The sub frame, pedestal, turntable, and boom shall have a 5 year parts only warranty if the annual service inspection is performed by an approved entity other than an authorized distributor of Seller. All replacement parts must be genuine OEM Seller parts.

SELLER MAKES NO OTHER WARRANTY, EXPRESS OR IMPLIED, AND MAKES NO WARRANTY OF MERCHANTABILITY OR FITNESS FOR ANY PARTICULAR PURPOSE, AS TO THE EQUIPMENT AND PARTS IT SUPPLIES.

No employee or representative of Seller is authorized to modify this warranty unless such modification is made in writing and signed by an authorized officer of Seller. Seller's warranty is continuous for the stated period, and "stopping and restarting" such period is not permitted.

Seller's obligation under this warranty shall not include duty, taxes, environmental fees, including without limitation, disposal or handling of tires, batteries, petrochemical items, or any other charges whatsoever. Seller shall not be liable for indirect, incidental, or consequential damages, even if advised of the possibility of such damages.

Improper maintenance, improper use, abuse, improper storage, operation beyond rated capacity, operation after discovery of defective or worn parts, accident, sabotage or alteration or repair of the equipment by persons not authorized by Seller shall render this warranty null and void. Seller reserves the right to inspect the installation of the product and review maintenance procedures to determine if the failure is covered under this warranty.

Parts Warranty: Seller warrants the parts ordered from the Seller to be free of defects in materials or workmanship for either (1) a period of 12 months after date of shipment from the factory, or (2) the balance of the remaining new equipment warranty, whichever occurs first. With respect to parts ordered from Seller for equipment for which the warranty has expired, Seller warrants such parts to be free of defects in materials or workmanship for a period of 12 months after date of shipment from the factory.

NO TRANSFERABILITY OF WARRANTY: This warranty is limited to the original purchaser or original end-user if sold to a distributor, and is not assignable or otherwise transferable without the written agreement of Seller.

ITEMS NOT COVERED BY WARRANTY

The following listed items, which are not exhaustive, are **NOT** covered under this warranty:

1. Items sold by any individual, corporation, partnership or any other organization or legal entity that is not authorized by Seller to distribute its equipment.
2. Inbound freight, duty and taxes for replacement components or outbound freight, duty, and taxes for any part requested as a warranty return.
3. Components which are not manufactured by Seller or its affiliates. Such components may include, but are not limited to, chassis, engines, batteries, tires, customer-supplied products, transmissions, air compressors, and axles.
4. Replacement of a complete assembly that is field repairable by the replacement or repair of defective part(s) within the assembly. Seller has the option to repair or replace any defective part or assembly.
5. Wear parts and maintenance services including, but not limited to: lamps, lenses, seals, gaskets, hoses, filters, breathers, belts, nozzles, friction plates, glass, clutch and brake linings, wire rope, nuts and fittings, exterior coatings, proper tightening of bolts, adding or replacing of fluids, adjustments of any kind, services, inspections, diagnostic time, travel time and supplies such as hand cleaners, towels and lubricants.
6. Damage caused by carrier handling. Any such claim for damage should be filed immediately with the respective carrier.
7. Repairs, work required or parts exposed as the result of age, storage, weathering, lack of use, demonstration use, or use for transportation of corrosive chemicals.
8. Damage resulting to the equipment or parts should the owner or operator continue to operate the equipment after it has been noted that a failure has occurred.
9. Damage caused by, or labor or other costs related to, work performed by personnel not authorized by Seller to service the equipment.

IN NO EVENT SHALL SELLER, OR ANY AFFILIATE, SUBSIDIARY OR DIVISION THEREOF BE LIABLE FOR INDIRECT, INCIDENTAL OR CONSEQUENTIAL DAMAGES OR LOSSES RESULTING FROM ANY BREACH OF WARRANTY, REPRESENTATION OR CONDITION, EXPRESS OR IMPLIED, OR ANY TERMS OF THIS WARRANTY, OR ANY BREACH OF ANY DUTY OR OBLIGATION IMPOSED BY STATUTE, CONTRACT, TORT, COMMON LAW OR OTHERWISE (WHETHER OR NOT CAUSED BY THE NEGLIGENCE OF THE SELLER, ITS EMPLOYEES, AGENTS OR OTHERWISE), INCLUDING, WITHOUT LIMITATION, LOSS OF USE, LOST PROFITS OR REVENUES, LABOR OR EMPLOYMENT COSTS, LOSS OF USE OF OTHER EQUIPMENT, DOWNTIME OR HIRE CHARGES, THIRD PARTY REPAIRS, IMPROPER PERFORMANCE OR WORK, LOSS OF SERVICE OF PERSONNEL, LOSS OF CONTRACTOR OPPORTUNITY AND PENALTIES OF ANY KIND, PERSONAL INJURY, EMOTIONAL OR MENTAL DISTRESS, OR FAILURE OF EQUIPMENT TO COMPLY WITH ANY APPLICABLE LAWS. The Seller's liability to the Buyer shall not in any event exceed the purchase price of the equipment.

THIS WARRANTY IS EXPRESSLY IN LIEU OF AND EXCLUDES ALL OTHER WARRANTIES, REPRESENTATIONS AND CONDITIONS, EXPRESS OR IMPLIED AND ALL OTHER STATUTORY, CONTRACTUAL, TORTIOUS AND COMMON LAW OBLIGATIONS OR LIABILITY ON SELLER'S PART ARE HEREBY EXPRESSLY EXCLUDED TO THE MAXIMUM EXTENT PERMITTED BY LAW. THERE ARE NO WARRANTIES THAT EXTEND BEYOND THE LIMITED WARRANTY CONTAINED HEREIN. Seller neither assumes nor authorizes any other person to assume for Seller any other liability in connection with the sale of Seller's equipment. In the event that any provision of this warranty is held unenforceable for any reason, the remaining provisions shall remain in full force and effect.



Terex Utilities, Inc.
3140 15th Ave SE, Watertown, SD 57201
Phone: 605-882-4000 Fax: 605-882-1842

08/31/2022

Quote Number: QU22094-10

CITY OF CARTERSVILLE
320 SOUTH ERWIN ST
CARTERSVILLE, GA 301320
Attention: FREDDY L, MORGAN

Phone: 770-385-21

Qty. Description

UNIT

- 1 One (1) new Terex Hi-Ranger LT40 Articulating / Telescoping Aerial Device providing a working height of 45.6 ft (13.8 m) with a end mount platform.
Unit will be mounted behind the cab.

Design Criteria:

* Design criteria is in accordance with current industry and engineering standards applicable and accepted for structural and hydraulic design.

Lower Controls:

* Individual control levers are located in an accessible location on the turntable.

Lower Boom:

* Filament wound high strength fiberglass insert providing an insulation gap.

Upper Boom:

* Filament wound high strength fiberglass boom providing an insulation gap.

Rotation:

* Self-locking worm gear rotation drive is provided and equipped with bi-directional motor.

Continuous Unrestricted Rotation:

* A hydraulic rotary manifold provides a rotating oil distribution system for continuous and unrestricted rotation.

* A 4 channel electric collector ring is provided as standard.

Aerial device is designed as a Category C machine in accordance and is dielectrically tested and rated for operation on systems up to 46 Kv phase to phase per ANSI/SIA A92.2-2015

Hydraulic System:

* Full pressure open center hydraulic system.

* Hydraulic hoses are equipped with permanent type fittings.

Miscellaneous:

* All metallic components of the complete aerial device are powder coat white.

* The fiberglass upper boom, boom inserts, platforms and covers are white.

Qty. Description

* Two complete manuals providing operation and maintenance procedures and a replacement parts listing.

* Warning decals provided with unit.

1 Pedestal.

1 8-Gallon Hydraulic Oil Reservoir.

* A 8 gallon hydraulic oil reservoir mounted on the side of tower with sight and temperature gauge.

* Return filter and oil eyes.

* A ball type shut off valve.

1 A boom rest with a automatic latch is provided.

1 Platform 24" x 30" x 42", End Mounted.

* Includes one (1) outside access step with slip-resistant surface.

1 A safety harness with lanyard is provided for fall arrest.

1 A padded saddle rest provides platform support during road travel.

1 Insulated Platform Liner For 24" x 30" x 42" Platform:

* Tested at 50 KV AC.

1 Vinyl Platform Cover For 24" x 30" Platform:

* Waterproof with internal elastic cord around edge.

1 Auxiliary Let Down for use with Open Center Hydraulics:

* Allows for the descent of the boom (platform) in the most direct manner for a time limited by the duty cycle of the electric motor.

*Includes 12 volt electric motor for use on a 12 volt chassis.

Note: This includes a switch for activation at pedestal for electric or air function.

1 Boom Tip with 4 Function Controls and Platform Rotator:

Upper Controls: "Control-Plus" single stick controller.

* Enable lever must be actuated before operation.

* Rated capacity of 400 lbs.

Hydraulic Platform Rotator For End Mount Platform.

Hydraulic Platform Tilt is provided at platform and lower controls.

Engine Stop/Start controlled at platform and lower controls.

Hydraulic Tool Outlets At Platform.

1 Mounting Kit:

* Behind cab mount for use with torsion bars.

1 Pump for systems requiring 3 to 5 gallons per minute:

*Provides 3 gpm at 725 engine rpm and 5 gpm at 1150 engine rpm with a 127% pto.

Qty. Description

- 1 Terex Base Chassis Controller:
 - * Multiplexed system to include: Controller, LCD Screen, Manual and Schematics.
 - * Standard Options: Diagnostics, Status Screens, Event Log, Hours Meter, Selectable Button Labels, System Alerts and System Test.
 - * Programmable settings allow installer to customize/select options need for their application.
 - * Screw terminal-type connections and enclosure to cover connections.
 - * Recommended for Class 5 chassis
 - * Can be used on Class 6 and above chassis with limited outputs (no more than two (2)).
 - * The PTO hour is standard. The engine hour meter is standard (When available). This is a message we get from the truck Data link. All trucks except Ford give us the Engine hours. So if it's a Ford, we just display PTO hours.

- 1 A positive lanyard attachment that provides audio and visual warnings to an operator when controls are engaged and lanyard has not been attached to the lanyard anchor.

- 1 American flag displayed on unit.

- 1 Factory Warranty

- ** ALTERED FROM STANDARD **

- 1 .

- BODY, INSTALLATION
- ** BODY INFORMATION **

- 1 108 Inch Steel line body per attached specifications.

- 1 Install Aerial Device Behind Cab And Install All Associated Components:
 - * Final test and inspect completed unit including stability and dielectric testing per manufacturers requirements.

- 1 Hose and fittings to connect the hydraulic system from the oil reservoir to the pump and unit.

- 1 Platform rest, bottom base

- 1 Chassis Spring Additions:
 - * Build up left rear chassis springs to level vehicle.

- 1 Power take off with indicator light for automatic transmission.

- 1 DOT Inspection.

- 1 Set chassis parameters.

- 1 Back-up alarm to sound when the vehicle is shifted into reverse.

- 2 Rubber wheel chocks with eye bolt.

- 2 Pendulum style retainer.

Qty. Description

- 1 Grab handles as necessary for 3-point contact.
 - * Grab handles to be bolt on

- 2 Mud flap with logo 18" tall.
Note: Trim As-Required.

- 1 Under body mounting kit for a pair of mud flaps.

- 1 Bracket for storing grounding cable.

- 1 2/0 Black Electrical Cable used for grounding per ASTM F855-04:
 - * 50' of multi-strand flexible copper cable, three grounding lugs, two ferrules and grounding clamp.
 - * Three point grounding system for grounding vehicle during work operations.
 - * Cable must be fully removed from bracket before use.
 - NOTE! Purchaser to verify this meets their company's requirements for fault current.

- 1 Grounding Loop Kit:
 - * Consists of (2) grounding copper rings located one at front and one at rear.

- 1 Floor mounted boom rest for LT series.
 - * consists of 105227 and 102658

- 1 Peterson LED 7-lamp DOT Lighting Package:
 - * Complies with FMVSS 108.
 - * Includes required lights, junction box and wiring harness.

- 1 Lighted license plate bracket kit with LED light.

- 2 Amber strobe light (LED) with 4" tall & 6" dia. lens, and branch guard.

- 1 Strobe mounting bracket located on turntable on the LT series.

- 1 BH82000 Combination Pintle Hook And 2" Ball:
 - * Safety chain eyes.
 - "Pintle hook brackets and attachment methods are designed to meet the associated pintle hook ratings. They are not designed for recovery purposes. If recovery attachments are required, please order the appropriate tow eyes."

- 1 ICC rear bumper.

- 1 7-prong trailer socket.
NOTE: Stop & turn signal lights on combined circuit.
 - *Hook up chassis supplied brake controller

- 1 Timbren rubber stabilizers installed on axle.

Qty. Description

- 1 Torsion bar stabilizer for rear axle.
- 1 Exhaust extension for light duty chassis.
- 1 Oil tank mounting for external reservoirs.
- 18 Fill with Hydraulic oil for general purpose use.
 - * Refer to the product maintenance manual for specific type to be used.
- 1 Safety Kit consists of the following:
 - * 5-lb ABC fire extinguisher with bracket.
 - * James King triangle reflector kit.
- 1 Paint body floor with non-skid paint.
- 1 Paint compartment top with non-skid paint.

CHASSIS

- 1 Ford F550 4x2 (Spec # 33)
 - * 19,500 lbs GVWR
 - * Wheelbase 145", CA 60"
 - * 7,000-lb capacity front axle
 - * 14,706-lb capacity rear axle
 - * Powerstroke 6.7L 330 HP @ 2,600 rpm, torque 825 lb-ft @ 2,000 rpm
 - * 10-speed torq shift automatic transmission, with overdrive
 - * Oxford White

SPECIAL CHARGES

- 1 Delivery to Customer.

OPTIONS:

ADD

1. Federal Excise Tax will be added if certificate is not supplied with order.
2. The following items must be considered by the purchaser if not already included:
Back-up Alarm; Strobe Light; Wheel Chocks; Outrigger Pads; Truck Grounding Cable;
Barricade Kit; Boom Stow Interlock; Auxiliary Let Down; and Platform Liner.
3. Terex Utilities, Inc. strongly recommends all installation accessories be located up front in front in the quote or secondarily on the approved engineering drawing. Any accessories located or relocated during manufacturing may be subject to additional charges.
4. Terex Utilities, Inc. - Offers In-service Training.
5. Terex Utilities, Inc. - Assembly in Watertown, South Dakota is ISO 9001:2000 Certified.



Ph. 605.882.1400 | Fx: 605.882.0828
 201 20th Ave SE | P.O. Box 1655 | Watertown, SD 5720

Follow us!    www.dakotabodies.com

Quotation Number Q TX108-LT40-F
Terex Part Number: 65382638

To:	Terex Utilities	Date:	
Attn:			
Customer:			
Spec Number:		Inside Sales:	
State:		Outside Sales:	
Engine Type:			
Crane/Unit Model:	LT40		
Chassis:	Ford	Reference:	TX108-LT40-F
Axle Configuration:		Same As:	TX108-LT40-F

Dakota Bodies LLC.	Steel	Service	Body
Terex			

108 Inches Long x 40 Inches High x ,94 Inches Wide
Chassis Cab to Axle (CA) of 60 Inches

- Bodies with one set of jack legs to have lifting eye and body shipping stands
- 16 gauge front bulkhead – Ship loose (unless specified)
- Wheel chock holders are to be installed ½" forward and ½" rearward of cutout
- All bulkheads to have pin access cutout/ cover when A-frame jack is ahead or behind bulkhead, x-frame jacks will not get pin access cutout/ cover

Body Dimensions:

108	Inches - Body Length
40	Inches - Body Height
94	Inches - Body Width
60	Inches - Chassis C/A
40	Inches - Compartment Height
18	Inches - Compartment Depth
58	Inches - Load Space Width
24	Inches - Top of Body to Top of Floor Dimension
18	Inches - Horizontal Compartment Height
None	Inches - Wheel Box Height

Body Materials:

16 ga Galvanneal	- Main Body Material
12 ga 4-Way Treadplate	- Compartment Tops Material
14 ga Galvanneal	- Wheel Panels Material
14 ga Galvanneal	- Front Bulkhead Material
18 ga Galvanized	- Shelving Material
Adjustable on Dual Unistrut	- Shelving Mounting Style
	OPTIONS
No	- Front Rock Guards Material
No	- Wheel Well Liners Material
No	- Bed Area Wall Liners Material

Other Body Details:

Door Materials:

Standard, Double Panel	- Door Type
18 ga Galvanneal	- Inner Door Material
18 ga Galvanneal	- Outer Door Material
Stainless Steel Rod & Socket	- Door Hinge Style
5/16" Stainless Steel	- Door Rod Material
Chain	- Vertical Door Holder Option
Chain	- Horizontal Door Holder Option
Single Point Rotary (Stainless Steel)	- Latch Type
	Keyed Alike
	- Lock Type
	- Wrap Around Striker with Rounded Corners

Other Door Details:

- Wrap Around door striker brackets

Floor and Understructure:

12 ga (.109) 4-Way Treadplate	- Bed Area Floor Material
LT40	- Unit Cutout in Floor
Full	- Body Frame Style
Structural	- Body Frame Material
6 Inch	- Body Frame Height

Subframe Installation:

- Install customer supplied LT40 Insert in frame (PN#484174)
- Grounding plate installed at rear of body
- Five (5) 1/4" - 20 Jiffy clips installed on front flat evenly spaced for tying wires
- Hydraulic tube 22"L x 3/8" Diameter
- Five (5) studs welded to front flat
- Two (2) studs welded to rear horizontal flat
- Install bolt on lifting hooks and shippings stands to the opposite end if one set of outriggers is provided
- Welding studs below the body for running fuel lines from fuel cap till fuel tank

Accessories:

- Rubber Rolled Crown (PN# 30136) (Installed with Wheel Cut-Outs)
- Automotive Bulb Weatherstripping (PN# 30132) (Installed)
- Master Door Lock, Hook and Loop System on Both Sides with Two (2) Spring Loaded Door Handles
- One (1) Fuel Filler Cutout in Rear Streetside Only of Fender Panel
- Two (2) Jiffy clips installed on both sides of cutouts
- Mud Flap brackets -Terex PN65325255 installed
- Two (2) - 3/4" Light holes cut out at front of body - One each side

Paint:

- Powdercoat Complete; Interior and Exterior, Taffeta White DWS9-20001; PC0020
 - Paint the Complete Bed Area Same as Body
- Wrapper Painted Gloss Black

Streetside Compartmentation:**1st Vertical Compartment:**

- 30" Wide x 40" High x 18" Deep Compartment
- Two (2) Adjustable Shelves
 - Divider Slots on 2" Centers, with Five (5) Adjustable Dividers

Horizontal Compartment:

- 54" Wide x 18" High x 18" Deep Compartment
- Vacant / Open Compartment

Rear Vertical Compartment:

- 24" Wide x 40" High x 18" Deep Compartment
- Two (2) Adjustable Shelves
 - Divider Slots on 2" Centers, with Four (4) Adjustable Dividers

Streetside Hotstick Shelf:

- 108 Inch Long Shelf Installed on the Streetside with a Rear Dropdown Access Door
 - Stainless Steel Automotive Rotary Type Door Latch
 - Stud Mounted Latches to Have Hidden Fasteners Inside the Door
 - Striker Installed in Door Frame for Maximum Opening
 - Stud Mounted Automotive Style Latches Have Interior Plastic Latch Covers
- Automotive Bulb Type Weatherstripping Mechanically Fastened to Door Frame with Rounded Corners

Curbside Compartmentation:**1st Vertical Compartment:**

- 30" Wide x 40" High x 18" Deep Compartment
- Five (5) 1/2" Dia. Locking / Swivel Carriage Bolt Hooks, Adjustable, 1-3-1 Hook Set

Horizontal Compartment:

- 54" Wide x 18" High x 18" Deep Compartment
- Eight (8) Adjustable Dividers installed on Compartment

Rear Vertical Compartment:

- 24" Wide x 40" High x 18" Deep Compartment
- Five (5) 1/2" Dia. Locking / Swivel Carriage Bolt Hooks, Adjustable, 1-3-1 Hook Set
- Grounding cable bracket

Tailgate:

- Removable Steel Lasered Flat Retainer 4" high X full width of bed area installed at rear of load space.
- Includes pins and lanyards

Tailshelf:

- 12 Ga. treadplate tailshelf 36 inches long X 94 inches wide x 6 inches high.
- Install 3/16" plate under lightbar 10-1/2" from SS side skirt

Curb Side Access 20" Wide Recessed in Tailshelf on Curbside

Gripstrut access steps to bed area with

- 12 gauge galvanized risers and side kickplates.
- One (1) Mini pool type grabhandle at side access and One (1) - Low profile grabhandle bolted to top of CS compartment
- To have a 1/4" x 4" flat added to bottom of step for mounting cable step

Tailshelf Rear Lighting:

- 94" Wide **7-Lamp** light bar installed at rear of tailshelf NO LIGHTS
- **To be built per Terex 99059 design**

Wheel Chock Storage:

- Two (2) wheel chock holders installed on Curbside
- Include pendulum retainers

Quoted Chassis

Prepared for: Mr. Sheldon Seward, Buyer, Terex

3140 15th Ave Se

Watertown, SD 57201

Office: 605-882-5515

Email: sheldon.seward@terex.com

2022 F-550 Chassis 4x2 SD Regular Cab 145" WB DRW XL (F5G)

Price Level: 215



Client Proposal

Prepared by:

Mike Johnson

Office: 605-886-5844

Email: mike@watertownfordchrysler.com

Quote ID: Spec33

Date: 03/27/2021



Watertown Ford | 1600 9th Avenue SE, Watertown, South Dakota, 572015305

Office: 605-886-5844 | Fax: 605-886-5909

Prepared for: Mr. Sheldon Seward

Quoted Chassis



Buyer, Terex

Prepared by: Mike Johnson

03/27/2021

Watertown Ford | 1600 9th Avenue SE Watertown South Dakota | 572015305

2022 F-550 Chassis 4x2 SD Regular Cab 145" WB DRW XL (F5G)

Price Level: 215 | Quote ID: Spec33

Mr. Sheldon Seward, Buyer, Terex

3140 15th Ave Se

Watertown, SD 57201

Office: 605-882-5515

Email: sheldon.seward@terex.com

Re: Quote ID Spec33 03/27/2021

Dear Mr. Seward,

Thank you very much for your interest in acquiring a vehicle from our dealership. We concur that your interest is well deserved. We hope that an outstanding product lineup and our dedication to customer service will enhance your ownership experience should you decide to buy a vehicle from us.

Attached, please find additional information that I hope will assist you in making a more informed decision. Please feel free to contact me at any time as I would truly appreciate the opportunity to be of service to you.

Sincerely,

Mike Johnson

Fleet Sales

605-886-5844

mike@watertownfordchrysler.com

Prepared for: Mr. Sheldon Seward

Quoted Chassis



Buyer, Terex

Prepared by: Mike Johnson

03/27/2021

Watertown Ford | 1600 9th Avenue SE Watertown South Dakota | 572015305

2022 F-550 Chassis 4x2 SD Regular Cab 145" WB DRW XL (F5G)

Price Level: 215 | Quote ID: Spec33

Table of Contents

Description	Page
Cover Page	1
Cover Letter	2
Table of Contents	3
Selected Equip & Specs	4
As Configured Vehicle	13
Warranty	16
Vehicle Dimension and Performance	17
Pricing Summary - Single Vehicle	21



Buyer, Terex

Prepared by: Mike Johnson

03/27/2021

Watertown Ford | 1600 9th Avenue SE Watertown South Dakota | 572015305

2022 F-550 Chassis 4x2 SD Regular Cab 145" WB DRW XL (F5G)

Price Level: 215 | Quote ID: Spec33

Selected Equip & Specs

Dimensions

* **Exterior length: 272.9"** • Cab to axle: 60.0" • Exterior width: 80.0" • Exterior height: 81.7" • Wheelbase: 145.0" • Front track: 74.8" • Rear track: 74.0" • Turning radius: 21.2' • Rear tire outside width: 93.9" • Min ground clearance: 8.2" • Front legroom: 43.9" • Front headroom: 40.8" • Front hiproom: 62.5" • Front shoulder room: 66.7" • Passenger volume: 64.6cu.ft. • Cargo volume: 11.6cu.ft. • Maximum cargo volume: 11.6cu.ft.

Powertrain

* **Powerstroke 330hp 6.7L OHV 32 valve intercooled turbo V-8 engine with diesel direct injection** * **Recommended fuel : diesel** • federal • TorqShift 10 speed automatic transmission with overdrive • Rear-wheel drive * **Limited slip differential** • Fuel Economy Cty: N/A • Fuel Economy Highway: N/A * **Transmission PTO provision**

Suspension/Handling

• Front Mono-beam non-independent suspension with anti-roll bar, HD shocks * **Rear DANA 130 rigid axle leaf spring suspension with anti-roll bar, HD shocks** • Firm ride Suspension • Hydraulic power-assist re-circulating ball Steering • Front and rear 19.5 x 6 argent steel wheels • LT225/70SR19.5 GBSW AS front and rear tires • Dual rear wheels

Body Exterior

• 2 doors * **Driver and passenger power remote heated, manual folding door mirrors with turn signal indicator** * **Turn signal indicator in mirrors** • Black door mirrors * **Chrome bumpers** • Trailer harness • Clearcoat paint • Front and rear 19.5 x 6 wheels • 2 front tow hook(s)

Convenience

• Manual air conditioning with air filter * **Cruise control with steering wheel controls** * **Power front windows** * **Driver and passenger 1-touch up** * **Driver and passenger 1-touch down** * **Remote power door locks with 2 stage unlock and illuminated entry** • Manual tilt steering wheel • Manual telescopic steering wheel • Day-night rearview mirror • FordPass Connect 4G internet access • 911 Assist emergency SOS • Wireless phone connectivity • AppLink smart device integration • 2 1st row LCD monitors • Front cupholders • Passenger visor mirror * **Driver and passenger door bins** • Upfitter switches

Seats and Trim

• Seating capacity of 3 • Front 40-20-40 split-bench seat • 4-way driver seat adjustment • Manual driver lumbar support • 4-way passenger seat adjustment • Centre front armrest with storage

Entertainment Features

• AM/FM stereo radio • SYNC external memory control • Steering wheel mounted radio controls • 4 speakers • Streaming audio • Fixed antenna

Lighting, Visibility and Instrumentation

• Halogen aero-composite headlights • Delay-off headlights • Fully automatic headlights • Variable intermittent front windshield wipers • Light tinted windows • Front reading lights • Tachometer • Compass • Outside temperature display * **Camera(s) - rear** • Trip computer • Trip odometer



Buyer, Terex

Prepared by: Mike Johnson

03/27/2021

Watertown Ford | 1600 9th Avenue SE Watertown South Dakota | 572015305

2022 F-550 Chassis 4x2 SD Regular Cab 145" WB DRW XL (F5G)

Price Level: 215 | Quote ID: Spec33

Selected Equip & Specs (cont'd)

Safety and Security

- 4-wheel ABS brakes • Brake assist • 4-wheel disc brakes • Driveline traction control • Dual front impact airbag supplemental restraint system with passenger cancel • Dual seat mounted side impact airbag supplemental restraint system • Safety Canopy System curtain 1st row overhead airbag supplemental restraint system * **Remote activated perimeter/approach lighting** * **Power remote door locks with 2 stage unlock and panic alarm** * **Security system with SecuriLock immobilizer** * **MyKey restricted driving mode** • Manually adjustable front head restraints

Dimensions

General Weights

* Curb	7,493 lbs.	* GVWR	19,500 lbs.
* Payload	12,070 lbs.		

Front Weights

* Front GAWR	7,000 lbs.	* Front curb weight	4,299 lbs.
Front axle capacity	7,000 lbs.	* Front spring rating	7,000 lbs.
Front tire/wheel capacity	7,500 lbs.		

Rear Weights

* Rear GAWR	14,706 lbs.	* Rear curb weight	3,194 lbs.
* Rear axle capacity	14,706 lbs.	* Rear spring rating	15,000 lbs.
Rear tire/wheel capacity	15,000 lbs.		

Trailer Type

Harness	Yes	* Brake controller	Yes
Trailer sway control	Yes		

General Trailering

* 5th-wheel towing capacity	24100 lbs.	* Gooseneck towing capacity	24100 lbs.
Towing capacity	18500 lbs.	* GCWR	32500 lbs.

Fuel Tank type

Capacity	40 gal.
----------------	---------

Off Road

Min ground clearance	8 "
----------------------------	-----

Interior cargo

Cargo volume	11.6 cu.ft.	Maximum cargo volume	11.6 cu.ft.
--------------------	-------------	----------------------------	-------------

Rear Frame

Height loaded	29 "	* Height unloaded	36 "
---------------------	------	-------------------------	------

Prices and content availability as shown are subject to change and should be treated as estimates only. Actual base vehicle, package and option pricing may vary from this estimate because of special local pricing, availability or pricing adjustments not reflected in the dealer's computer system. See salesperson for the most current information.



Buyer, Terex

Prepared by: Mike Johnson

03/27/2021

Watertown Ford | 1600 9th Avenue SE Watertown South Dakota | 572015305

2022 F-550 Chassis 4x2 SD Regular Cab 145" WB DRW XL (F5G)

Price Level: 215 | Quote ID: Spec33

Selected Equip & Specs (cont'd)

Powertrain

Engine Type

* Brand	Powerstroke	Block material	Iron
Cylinders	V-8	Head material	Aluminum
* Ignition	Compression	* Injection	Diesel direct injection
* Liters	6.7L	Orientation	Longitudinal
* Recommended fuel	Diesel	* Valves per cylinder	4
Valvetrain	OHV	* Forced induction	Intercooled turbo

Engine Spec

* Bore	3.90"	* Compression ratio	15.8:1
* Displacement	406 cu.in.	* Stroke	4.25"

Engine Power

SAEJ1349 AUG2004 compliant	Yes	* Output	330 HP @ 2,600 RPM
* Torque	825 ft.-lb @ 2,000 RPM		

Alternator

* Type	Dual	* Amps	332
--------	-------------	--------	------------

Battery

Amp hours	78	Cold cranking amps	750
Run down protection	Yes	* Type	Dual

Engine Extras

* Block heater	Yes
----------------	------------

Transmission

Electronic control	Yes	Lock-up	Yes
Overdrive	Yes	Speed	10
Type	Automatic		

Transmission Gear Ratios

1st	4.696	2nd	2.985
3rd	2.146	4th	1.769
5th	1.52	6th	1.275
7th	1	8th	0.854
9th	0.689	10th	0.616
Reverse Gear ratios	4.866		

Transmission Extras

Prices and content availability as shown are subject to change and should be treated as estimates only. Actual base vehicle, package and option pricing may vary from this estimate because of special local pricing, availability or pricing adjustments not reflected in the dealer's computer system. See salesperson for the most current information.



Buyer, Terex

Prepared by: Mike Johnson

03/27/2021

Watertown Ford | 1600 9th Avenue SE Watertown South Dakota | 572015305

2022 F-550 Chassis 4x2 SD Regular Cab 145" WB DRW XL (F5G)

Price Level: 215 | Quote ID: Spec33

Selected Equip & Specs (cont'd)

Driver selectable mode Yes
 Oil cooler Regular duty
 Sequential shift control SelectShift
 *PTO provision Yes

Drive Type

Type Rear-wheel

Drive Feature

* Limited slip differential Mechanical
 * Power take-off provision Yes
 Traction control Driveline

Drive Axle

Ratio 4.88

Exhaust

Material Stainless steel
 System type Single

Emissions

CARB Federal

Fuel Economy

* Fuel type Diesel

Engine Retarder

* Type Yes

Driveability

Brakes

ABS 4-wheel
 Type 4-wheel disc
 ABS channels 3
 Vented discs Front and rear

Brake Assistance

Brake assist Yes

Suspension Control

Ride Firm

Front Suspension

Independence Mono-beam non-independent
 Anti-roll bar Regular

Front Spring

Type Coil
 * Grade HD

Front Shocks

Type HD

Rear Suspension

Prices and content availability as shown are subject to change and should be treated as estimates only. Actual base vehicle, package and option pricing may vary from this estimate because of special local pricing, availability or pricing adjustments not reflected in the dealer's computer system. See salesperson for the most current information.



Buyer, Terex

Prepared by: Mike Johnson

03/27/2021

Watertown Ford | 1600 9th Avenue SE Watertown South Dakota | 572015305

2022 F-550 Chassis 4x2 SD Regular Cab 145" WB DRW XL (F5G)

Price Level: 215 | Quote ID: Spec33

Selected Equip & Specs (cont'd)

* Independence	DANA 130 rigid axle	Type	Leaf
Anti-roll bar	Regular		
<i>Rear Spring</i>			
Type	Leaf	Grade	HD
<i>Rear Shocks</i>			
Type	HD		
<i>Steering</i>			
Activation	Hydraulic power-assist	Type	Re-circulating ball
<i>Steering Specs</i>			
# of wheels	2		

Exterior

Front Wheels

Diameter	19.5"	Width	6.00"
----------	-------	-------	-------

Rear Wheels

Diameter	19.5"	Width	6.00"
Dual	Yes		

Front and Rear Wheels

Appearance	Argent	Material	Steel
------------	--------	----------	-------

Front Tires

Aspect	70	Diameter	19.5"
Sidewalls	BSW	Speed	S
Tread	AS	Type	LT
Width	225mm	LT load rating	G
RPM	647		

Rear Tires

Aspect	70	Diameter	19.5"
Sidewalls	BSW	Speed	S
Tread	AS	Type	LT
Width	225mm	LT load rating	G
RPM	647		

Wheels

Front track	74.8"	Rear track	74.0"
Turning radius	21.2'	Wheelbase	145.0"
Rear tire outside width	93.9"		

Body Features

Prices and content availability as shown are subject to change and should be treated as estimates only. Actual base vehicle, package and option pricing may vary from this estimate because of special local pricing, availability or pricing adjustments not reflected in the dealer's computer system. See salesperson for the most current information.

Prepared for: Mr. Sheldon Seward

Quoted Chassis



Buyer, Terex

Prepared by: Mike Johnson

03/27/2021

Watertown Ford | 1600 9th Avenue SE Watertown South Dakota | 572015305

2022 F-550 Chassis 4x2 SD Regular Cab 145" WB DRW XL (F5G)

Price Level: 215 | Quote ID: Spec33

Selected Equip & Specs (cont'd)

Front splash guards	Yes	Body material	Aluminum
Side impact beams	Yes	Front tow hook(s)	2

Body Doors

Door count 2

Exterior Dimensions

* Length	272.9"	Body width	80.0"
Body height	81.7"	Cab to axle	60.0"
* Axle to end of frame	89.4"	Frame section modulus	12.7cu.in.
Frame yield strength (psi)	50000.0	Frame rail width	34.2"
Front bumper to Front axle	38.3"	* Cab to end of frame	149.4"
Front bumper to back of cab	123.7"		

Safety

Airbags

Driver front-impact	Yes	Driver side-impact	Seat mounted
Overhead ... Safety Canopy System curtain 1st row		Passenger front-impact	Cancellable
Passenger side-impact	Seat mounted		

Seatbelt

Height adjustable Front

Security

* Immobilizer	SecuriLock	* Panic alarm	Yes
* Restricted driving mode	MyKey		

Seating

Passenger Capacity

Capacity 3

Front Seats

Split 40-20-40 Type Split-bench

Driver Seat

Fore/aft	Manual	Reclining	Manual
Way direction control	4	Lumbar support	Manual

Passenger seat

Fore/aft	Manual	Reclining	Manual
Way direction control	4		

Front Head Restraint

Prices and content availability as shown are subject to change and should be treated as estimates only. Actual base vehicle, package and option pricing may vary from this estimate because of special local pricing, availability or pricing adjustments not reflected in the dealer's computer system. See salesperson for the most current information.



Buyer, Terex

Prepared by: Mike Johnson

03/27/2021

Watertown Ford | 1600 9th Avenue SE Watertown South Dakota | 572015305

2022 F-550 Chassis 4x2 SD Regular Cab 145" WB DRW XL (F5G)

Price Level: 215 | Quote ID: Spec33

Selected Equip & Specs (cont'd)

Control	Manual	Type	Adjustable
<i>Front Armrest</i>			
Centre	Yes	Storage	Yes
<i>Front Seat Trim</i>			
Material	Vinyl	Back material	Vinyl

Convenience

AC And Heat Type

Air conditioning	Manual	Air filter	Yes
------------------------	--------	------------------	-----

Audio System

Radio	AM/FM stereo	Radio grade	Regular
Seek-scan	Yes	External memory control	SYNC

Audio Speakers

Speaker type	Regular	Speakers	4
--------------------	---------	----------------	---

Audio Controls

Steering wheel controls	Yes	Voice activation	Yes
Streaming audio	Bluetooth yes		

Audio Antenna

Type	Fixed
------------	-------

LCD Monitors

1st row	2	Primary monitor size (inches)	4.2
---------------	---	-------------------------------------	-----

Cruise Control

* **Cruise control. With steering wheel controls**

Convenience Features

* Retained accessory power	Yes	12V DC power outlet	3
Emergency SOS	911 Assist	Wireless phone connectivity	Bluetooth
Smart device integration	App link	Upfitter switches	Yes

Door Lock Activation

* Type	Power with 2 stage unlock	* Remote	Keyfob (all doors)
* Integrated key/remote	Yes		

Door Locks Extra FOB Controls

Remote engine start	Smart device only
---------------------------	-------------------

Instrumentation Type

Display	Analog
---------------	--------

Prices and content availability as shown are subject to change and should be treated as estimates only. Actual base vehicle, package and option pricing may vary from this estimate because of special local pricing, availability or pricing adjustments not reflected in the dealer's computer system. See salesperson for the most current information.



Buyer, Terex

Prepared by: Mike Johnson

03/27/2021

Watertown Ford | 1600 9th Avenue SE Watertown South Dakota | 572015305

2022 F-550 Chassis 4x2 SD Regular Cab 145" WB DRW XL (F5G)

Price Level: 215 | Quote ID: Spec33

Selected Equip & Specs (cont'd)

Instrumentation Gauges

Tachometer	Yes	Engine temperature	Yes
* Turbo/supercharger boost	Yes	Transmission fluid temp	Yes
Engine hour meter	Yes		

Instrumentation Warnings

Oil pressure	Yes	Engine temperature	Yes
Battery	Yes	Lights on	Yes
Key	Yes	Low fuel	Yes
Door ajar	Yes	Service interval	Yes
Brake fluid	Yes		

Instrumentation Displays

Clock	In-radio display	Compass	Yes
Exterior temp	Yes	Systems monitor	Yes
* Camera(s) - rear	Yes		

Instrumentation Feature

Trip computer	Yes	Trip odometer	Yes
---------------------	-----	---------------------	-----

Steering Wheel Type

Material	Urethane	Tilting	Manual
Telescoping	Manual		

Front Side Windows

* Window 1st row activation	Power
-----------------------------------	-------

Window Features

* 1-touch down	Driver and passenger	* 1-touch up	Driver and passenger
Tinted	Light		

Front Windshield

Wiper	Variable intermittent
-------------	-----------------------

Rear Windshield

Window	Fixed
--------------	-------

Interior

Passenger Visor

Mirror	Yes
--------------	-----

Rear View Mirror

Day-night	Yes
-----------------	-----

Headliner

Prices and content availability as shown are subject to change and should be treated as estimates only. Actual base vehicle, package and option pricing may vary from this estimate because of special local pricing, availability or pricing adjustments not reflected in the dealer's computer system. See salesperson for the most current information.

Prepared for: Mr. Sheldon Seward

Quoted Chassis



Buyer, Terex

Prepared by: Mike Johnson

03/27/2021

Watertown Ford | 1600 9th Avenue SE Watertown South Dakota | 572015305

2022 F-550 Chassis 4x2 SD Regular Cab 145" WB DRW XL (F5G)

Price Level: 215 | Quote ID: Spec33

Selected Equip & Specs (cont'd)

Coverage	Full	Material	Cloth
<i>Floor Trim</i>			
Coverage	Full	Covering	Vinyl/rubber
<i>Trim Feature</i>			
Gear shifter material	Urethane	Interior accents	Chrome
<i>Lighting</i>			
Dome light type	Fade	Front reading	Yes
* Illuminated entry	Yes	Variable IP lighting	Yes
<i>Storage</i>			
* Driver door bin	Yes	Front Beverage holder(s)	Yes
Glove box	Locking	* Passenger door bin	Yes
Illuminated	Yes	Instrument panel	Covered bin
Dashboard	Yes		
<i>Legroom</i>			
Front	43.9"		
<i>Headroom</i>			
Front	40.8"		
<i>Hip Room</i>			
Front	62.5"		
<i>Shoulder Room</i>			
Front	66.7"		
<i>Interior Volume</i>			
Passenger volume	64.6 cu.ft.		

Prices and content availability as shown are subject to change and should be treated as estimates only. Actual base vehicle, package and option pricing may vary from this estimate because of special local pricing, availability or pricing adjustments not reflected in the dealer's computer system. See salesperson for the most current information.



Buyer, Terex

Prepared by: Mike Johnson

03/27/2021

Watertown Ford | 1600 9th Avenue SE Watertown South Dakota | 572015305

2022 F-550 Chassis 4x2 SD Regular Cab 145" WB DRW XL (F5G)

Price Level: 215 | Quote ID: Spec33

As Configured Vehicle

Code	Description
Base Vehicle	
F5G	Base Vehicle Price (F5G)
Packages	
660A	<p>Order Code 660A</p> <p><i>Includes:</i></p> <ul style="list-style-type: none"> - Transmission: TorqShift 10-Speed Automatic - Includes neutral idle and selectable drive modes: normal, tow/haul, eco, deep sand/snow and slippery. - Tires: 225/70Rx19.5G BSW A/P - Wheels: 19.5" x 6" Argent Painted Steel - Hub covers/center ornaments not included. - HD Vinyl 40/20/40 Split Bench Seat - Includes center armrest, cupholder, storage and driver's side manual lumbar. - Radio: AM/FM Stereo w/MP3 Player - Includes 4 speakers. - SYNC Communications & Entertainment System - Includes enhanced voice recognition, 911 Assist, 4.2" LCD center stack screen, AppLink, 1 smart-charging USB port and steering wheel audio controls.
Powertrain	
99T	<p>Engine: 6.7L 4V OHV Power Stroke V8 Turbo Diesel B20</p> <p><i>Includes Diesel Exhaust Fluid (DEF) tank, intelligent oil-life monitor and manual push-button engine-exhaust braking.</i></p> <p><i>Includes:</i></p> <ul style="list-style-type: none"> - Dual 78-AH 750 CCA Batteries
44G	<p>Transmission: TorqShift 10-Speed Automatic</p> <p><i>Includes neutral idle and selectable drive modes: normal, tow/haul, eco, deep sand/snow and slippery.</i></p>
X8L	Limited Slip w/4.88 Axle Ratio
68M	<p>GVWR: 19,500 lb Payload Plus Upgrade Package</p> <p><i>Includes upgraded frame, rear-axle and low deflection/high capacity springs. Increases max RGAWR to 14, 706. Note: See Order Guide Supplemental Reference for further details on GVWR.</i></p>
Wheels & Tires	
TGJ	Tires: 225/70Rx19.5G BSW A/P
64Z	<p>Wheels: 19.5" x 6" Argent Painted Steel</p> <p><i>Hub covers/center ornaments not included.</i></p>
Seats & Seat Trim	
A	<p>HD Vinyl 40/20/40 Split Bench Seat</p> <p><i>Includes center armrest, cupholder, storage and driver's side manual lumbar.</i></p>

Prices and content availability as shown are subject to change and should be treated as estimates only. Actual base vehicle, package and option pricing may vary from this estimate because of special local pricing, availability or pricing adjustments not reflected in the dealer's computer system. See salesperson for the most current information.



Buyer, Terex

Prepared by: Mike Johnson

03/27/2021

Watertown Ford | 1600 9th Avenue SE Watertown South Dakota | 572015305

2022 F-550 Chassis 4x2 SD Regular Cab 145" WB DRW XL (F5G)

Price Level: 215 | Quote ID: Spec33

As Configured Vehicle (cont'd)

Code	Description
Other Options	
PAINT	Monotone Paint Application
145WB	145" Wheelbase
STDRD	Radio: AM/FM Stereo w/MP3 Player <i>Includes 4 speakers.</i> <i>Includes:</i> - SYNC Communications & Entertainment System <i>Includes enhanced voice recognition, 911 Assist, 4.2" LCD center stack screen, AppLink, 1 smart-charging USB port and steering wheel audio controls.</i>
96V	XL Value Package <i>Includes:</i> - XL Decor Group - Chrome Front Bumper - Steering Wheel-Mounted Cruise Control
90L	Power Equipment Group <i>Deletes passenger side lock cylinder. Includes upgraded door-trim panel.</i> <i>Includes:</i> - Accessory Delay - Advanced Security Pack <i>Includes SecuriLock Passive Anti-Theft System (PATS) and inclination/intrusion sensors.</i> - Folding Trailer Tow Mirrors w/Power Heated Glass <i>Includes manual telescoping, heated convex spotter mirror and integrated clearance lamps/turn signals.</i> - MyKey <i>Includes owner controls feature.</i> - Power Front Side Windows <i>Includes 1-touch up/down driver/passenger window.</i> - Power Locks - Remote Keyless Entry
473	Snow Plow Prep Package <i>Highly recommended for max power output. Includes pre-selected springs (see order guide supplemental reference for springs/FGAWR of specific vehicle configurations). Note 1: Restrictions apply; see supplemental reference or body builders layout book for details. Note 2: Also allows for the attachment of a winch. Note 3: Highly recommended to add (86M) dual battery on 7.3L gas engines.</i> <i>Includes:</i> - 332 Amp Alternator
63C	Aft-Axle Frame Extension <i>42.4" aft-of-axle frame extension increases AF dimension to 89.4"</i>
41H	Engine Block Heater
62R	Transmission Power Take-Off Provision <i>Includes transmission mounted live drive and stationary mode PTO.</i>
18A	Upfitter Interface Module
67A	332 Amp Alternator

Prices and content availability as shown are subject to change and should be treated as estimates only. Actual base vehicle, package and option pricing may vary from this estimate because of special local pricing, availability or pricing adjustments not reflected in the dealer's computer system. See salesperson for the most current information.

Prepared for: Mr. Sheldon Seward

Quoted Chassis



Buyer, Terex

Prepared by: Mike Johnson

03/27/2021

Watertown Ford | 1600 9th Avenue SE Watertown South Dakota | 572015305

2022 F-550 Chassis 4x2 SD Regular Cab 145" WB DRW XL (F5G)

Price Level: 215 | Quote ID: Spec33

As Configured Vehicle (cont'd)

Code	Description
52B	Trailer Brake Controller <i>Includes smart trailer tow connector. Verified to be compatible with electronic actuated drum brakes only.</i>
872	Rear View Camera & Prep Kit <i>Pre-installed content includes cab wiring and frame wiring to the rear most cross member. Upfitters kit includes camera with mounting bracket, 20' jumper wire and camera mounting/aiming instructions.</i>

Fleet Options

525_	Steering Wheel-Mounted Cruise Control
------	---------------------------------------

Emissions

425	50-State Emissions System
-----	---------------------------

Interior Color

AS_01	Medium Earth Gray
-------	-------------------

Exterior Color

Z1_01	Oxford White
-------	--------------

Prices and content availability as shown are subject to change and should be treated as estimates only. Actual base vehicle, package and option pricing may vary from this estimate because of special local pricing, availability or pricing adjustments not reflected in the dealer's computer system. See salesperson for the most current information.

Prepared for: Mr. Sheldon Seward

Quoted Chassis



Buyer, Terex

Prepared by: Mike Johnson

03/27/2021

Watertown Ford | 1600 9th Avenue SE Watertown South Dakota | 572015305

2022 F-550 Chassis 4x2 SD Regular Cab 145" WB DRW XL (F5G)

Price Level: 215 | Quote ID: Spec33

Warranty

Standard Warranty

Basic

Distance 36,000 miles Months 36 months

Powertrain

Distance 60,000 miles Months 60 months

Corrosion Perforation

Distance Unlimited miles Months 60 months

Roadside Assistance

Distance 60,000 miles Months 60 months

Additional Warranty

Diesel Engine

Distance 100,000 miles Months 60 months

Prices and content availability as shown are subject to change and should be treated as estimates only. Actual base vehicle, package and option pricing may vary from this estimate because of special local pricing, availability or pricing adjustments not reflected in the dealer's computer system. See salesperson for the most current information.

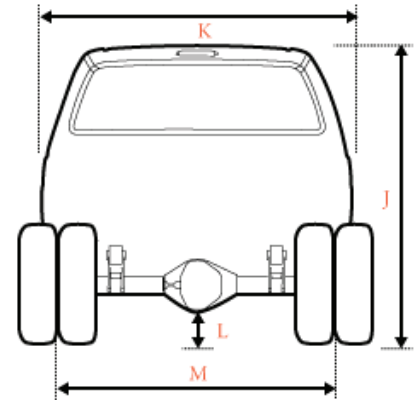
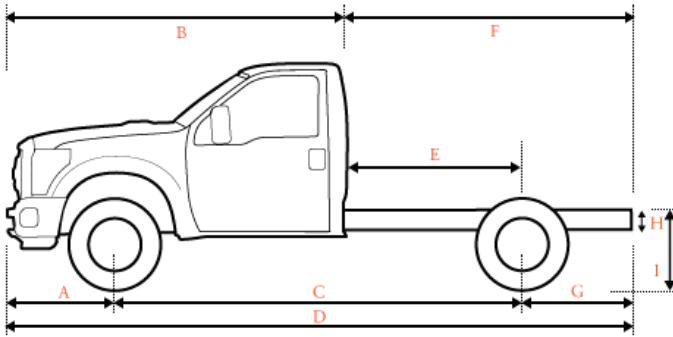


2022 F-550 Chassis 4x2 SD Regular Cab 145" WB DRW XL (F5G)

Price Level: 215 | Quote ID: Spec33

Vehicle Dimension and Performance Summary

Performance predictions in this report represent an estimate of vehicle performance based on standard operating conditions. Variations in customer equipment, load configuration, ambient conditions, and/or operator driving techniques can cause significant variations in vehicle performance. These values are not representative of results that may be shown in actual dynamometer tests. This report should therefore be used as a guide for comparative vehicle performance.



Dimensions

A	Front of Bumper to Front Axle	38.30 in.
B	Front Bumper to Back of Cab (BBC)	123.70 in.
C	Wheelbase (WB)	145.00 in.
D	Overall Length (OAL)	272.90 in.
E	Back of Cab to Rear Axle (CA)	60.00 in.
F	Back of Cab to End of Frame	149.40 in.
G	Rear Axle to End of Frame (AF)	89.40 in.
H	Frame Section Height	N/A
I	Rear Frame Height Unloaded	35.90 in.
I	Rear Frame Height Loaded	28.60 in.
J	Cab Height	81.70 in.
K	Body Width	80.00 in.
L	Maximum Ground Clearance	N/A
L	Minimum Ground Clearance	8.20 in.
M	Front Tread	74.80 in.
M	Rear Tread	74.00 in.

Prices and content availability as shown are subject to change and should be treated as estimates only. Actual base vehicle, package and option pricing may vary from this estimate because of special local pricing, availability or pricing adjustments not reflected in the dealer's computer system. See salesperson for the most current information.



Buyer, Terex

Prepared by: Mike Johnson

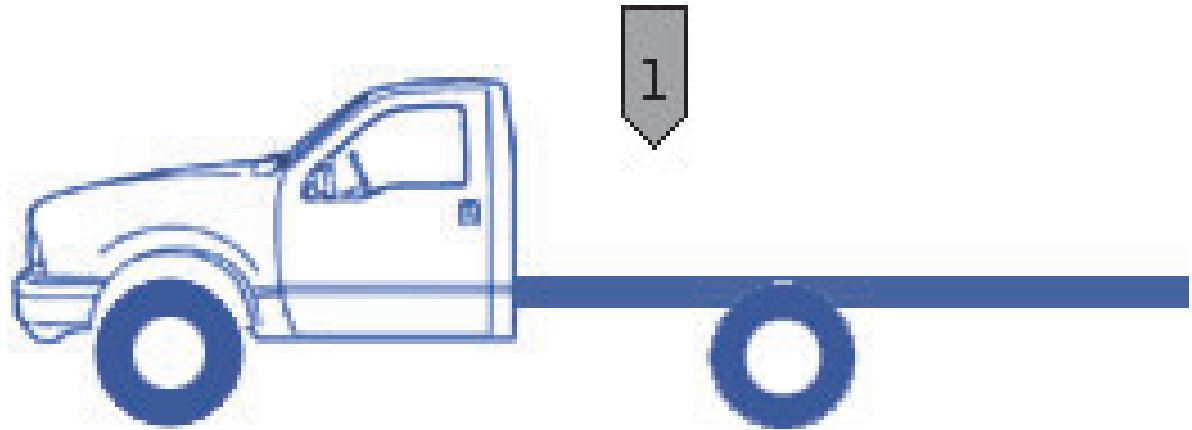
03/27/2021

Watertown Ford | 1600 9th Avenue SE Watertown South Dakota | 572015305

2022 F-550 Chassis 4x2 SD Regular Cab 145" WB DRW XL (F5G)

Price Level: 215 | Quote ID: Spec33

Vehicle Dimension and Performance Summary (cont'd)



Weight

GVW	Front Axle	Rear Axle	Totals
Chassis	4,299 lbs	3,194 lbs	7,493 lbs
Body	0 lbs	0 lbs	0 lbs
Occupants Weight	300 lbs	150 lbs	450 lbs
1 Max Payload - (Max Payload)	2,401 lbs	9,156 lbs	11,557 lbs
TOTAL	7,000 lbs	12,500 lbs	19,500 lbs

Ratings	Front Axle	Rear Axle	GVWR
GAWR	7,000 lbs	14,706 lbs	19,500 lbs
Wheels/Tires	7,500 lbs	15,000 lbs	
Suspension	7,000 lbs	15,000 lbs	
Axle	7,000 lbs	14,706 lbs	
Legal Axle Limit	0 lbs	0 lbs	

Prices and content availability as shown are subject to change and should be treated as estimates only. Actual base vehicle, package and option pricing may vary from this estimate because of special local pricing, availability or pricing adjustments not reflected in the dealer's computer system. See salesperson for the most current information.



Buyer, Terex

Prepared by: Mike Johnson

03/27/2021

Watertown Ford | 1600 9th Avenue SE Watertown South Dakota | 572015305

2022 F-550 Chassis 4x2 SD Regular Cab 145" WB DRW XL (F5G)

Price Level: 215 | Quote ID: Spec33

Vehicle Dimension and Performance Summary (cont'd)

Start, Grade and Speed

Start	Ratio	Desired	Calculated
Start grade capability in 1st gear	4.70	15.00 %	58.55 %
Start grade capability in reverse	4.87	15.00 %	60.67 %
Grade	Ratio	Desired	Calculated
Maximum grade in 8th gear	0.85	3.00 %	10.66 %
Maximum grade in 9th gear	0.69	3.00 %	8.60 %
Maximum grade in 10th gear	0.62	3.00 %	7.69 %
Speed		Desired	Calculated
Top Speed (level grade)		75 mph	96 mph
<i>To meet your requirement you need a maximum axle ratio of 6.26</i>			
Top Speed on 3.0% grade		55 mph	
<i>To meet your requirement you need a maximum of 122 hp</i>			
Cruise Speed		60 mph	71 mph
Engine RPM at desired cruise speed			1,945 rpm

Variables in Use

Rear axle ratio:	4.88/4.88	Governed RPM:	3,120 rpm
Tire size:	225/70R19.5 (647 rev/mile)	Frontal Area:	40.39 Sq.Ft.
Gross Vehicle Weight (GVW):	19,500 lbs	Cruising RPM:	2,300 rpm
Clutch engagement torque:	412 ft.lbs.	Worst road surface:	Typical Highway
Torque conversion ratio:	2.00	Final Drive Ratio:	0.62
Peak engine torque:	825 ft.lbs.	Drag Coefficient:	0.80
Engine Power:	330 hp @ 2,600 rpm		

Prices and content availability as shown are subject to change and should be treated as estimates only. Actual base vehicle, package and option pricing may vary from this estimate because of special local pricing, availability or pricing adjustments not reflected in the dealer's computer system. See salesperson for the most current information.



Buyer, Terex

Prepared by: Mike Johnson

03/27/2021

Watertown Ford | 1600 9th Avenue SE Watertown South Dakota | 572015305

2022 F-550 Chassis 4x2 SD Regular Cab 145" WB DRW XL (F5G)

Price Level: 215 | Quote ID: Spec33

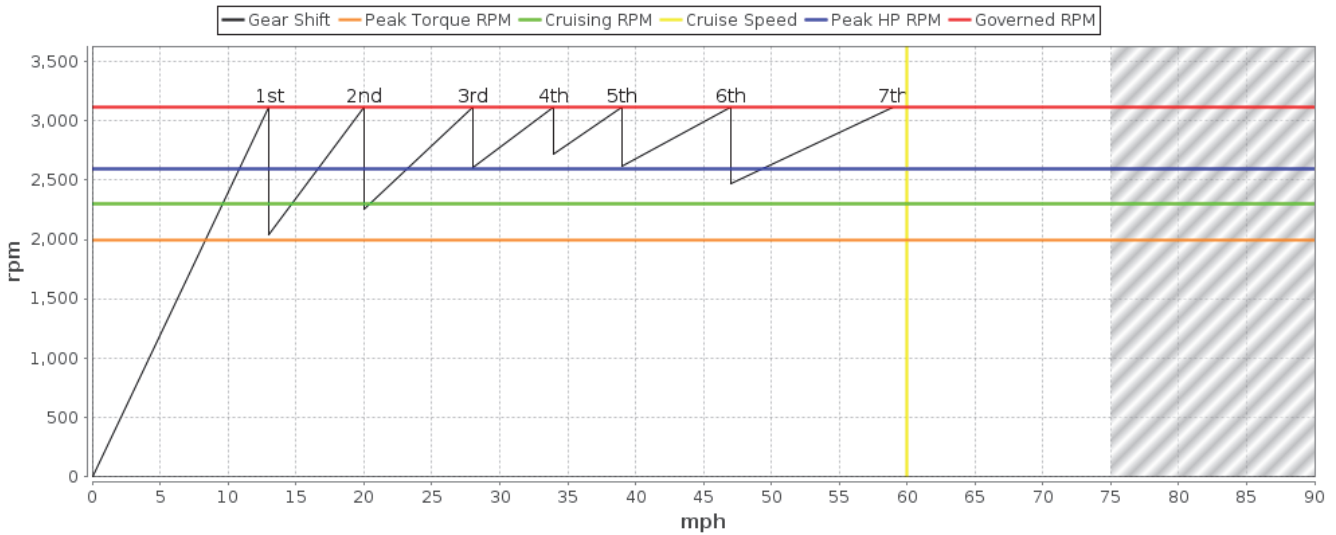
Vehicle Dimension and Performance Summary (cont'd)

Shift Chart

Shift Chart displays mathematical geared speed.

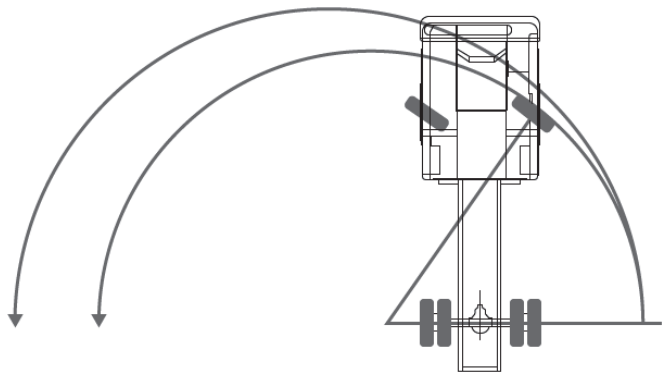
Diesel engines use Governed RPM for shift points.

Gas engines use Peak Torque RPM for shift points.



Turning Radius

Turning Radius 21.25 ft



Prices and content availability as shown are subject to change and should be treated as estimates only. Actual base vehicle, package and option pricing may vary from this estimate because of special local pricing, availability or pricing adjustments not reflected in the dealer's computer system. See salesperson for the most current information.

Prepared for: Mr. Sheldon Seward

Quoted Chassis



Buyer, Terex

Prepared by: Mike Johnson

03/27/2021

Watertown Ford | 1600 9th Avenue SE Watertown South Dakota | 572015305

2022 F-550 Chassis 4x2 SD Regular Cab 145" WB DRW XL (F5G)

Price Level: 215 | Quote ID: Spec33

Pricing Summary - Single Vehicle

Vehicle Pricing

Base Vehicle Price

Options

Colors

Upfitting

Fleet Discount

Fuel Charge

Destination Charge

Total

Customer Signature

Acceptance Date

Prices and content availability as shown are subject to change and should be treated as estimates only. Actual base vehicle, package and option pricing may vary from this estimate because of special local pricing, availability or pricing adjustments not reflected in the dealer's computer system. See salesperson for the most current information.

Chassis Optioned

2022 RAM 5500 Chassis Tradesman/SLT



Watertown Ford Chrysler





Watertown Ford Chrysler
1600 9th Ave SE Watertown, South Dakota 57201
Toll Free: 800-658-3671 Phone: 605-886-5844 Fax: 605-886-5909
Home page: <https://www.watertownfordchrysler.com/>

September 10, 2021

Re: 2022 RAM 5500 Chassis Tradesman/SLT

Sheldon Seward
Terex
South Dakota

To Whom It May Concern,

Thank you very much for your interest in acquiring a vehicle from our dealership. We concur that your interest is well deserved. We hope that an outstanding product lineup and our dedication to customer service will enhance your ownership experience should you decide to buy a vehicle from us.

Attached, please find additional information that I hope will assist you in making a more informed decision. Please feel free to contact me at any time as I would truly appreciate the opportunity to be of service to you.

Sincerely,

Mike Johnson
Commercial Account Manager
605-868-7978
mike@watertownfordchrysler.com



Prepared For:
Sheldon Seward
Terex
South Dakota

Prepared By:
Mike Johnson
Watertown Ford Chrysler
1600 9th Ave SE
Watertown, South Dakota, 57201
Phone: 605-886-5844
Toll Free: 800-658-3671

INDEX **2022 RAM 5500 Chassis**

4x2 Regular Cab 144.5" WB Tradesman/SLT (DP5L63)

Description	Page
Cover	1
Letter	2
Index	3
Vehicle Overview	4
Standard Equipment	7
Selected Equipment	9
Dimensions & Capacities	11
Warranty	13
Job Rating	14

Chassis Optioned



Prepared For:
Sheldon Seward
Terex
South Dakota

Prepared By:
Mike Johnson
Watertown Ford Chrysler
1600 9th Ave SE
Watertown, South Dakota, 57201
Phone: 605-886-5844
Toll Free: 800-658-3671

VEHICLE OVERVIEW

2022 RAM 5500 Chassis

4x2 Regular Cab 144.5" WB Tradesman/SLT (DP5L63)

Powertrain

Cummins 6.7L I-6 OHV diesel direct injection 24 valve intercooled turbo diesel engine * 180 amp alternator * 1,460 amp (total) battery dual lead acid batteries with run down protection * Engine block heater, engine oil cooler, transmission oil cooler * 6-speed electronic sequential shift control automatic transmission with overdrive, lock-up, driver selection * Rear-wheel drive * Limited slip differential, ABS & driveline traction control, power take-off provision * 4.44 axle ratio * Stainless steel exhaust

Steering and Suspension

Hydraulic power-assist re-circulating ball steering * 4-wheel disc brakes with front and rear vented discs * HD ride suspension, with electronic stability * Non-independent front suspension * Front leading link suspension * Front anti-roll bar * HD front coil springs * HD front shocks * Rigid rear axle * Rear leaf suspension * HD rear anti-roll bar * HD rear leaf springs * HD rear shocks * Front and rear 19.5" x 6.00" argent steel wheels with chrome hub covers * 225/70R19.5 BSW AS front tires * AT rear tires

Safety

4-wheel anti-lock braking system * Daytime running lights * Dual airbags, airbag occupancy sensor * Front height adjustable seatbelts with front pre-tensioners * Sentry Key immobilizer, panic alarm

Comfort and Convenience

Air conditioning, air filter, supplemental heater * SiriusXM AM/FM/Satellite-prep, clock, seek-scan, external memory control, 4 speakers, voice activation, Bluetooth streaming audio, integrated roof antenna * 1 1st row LCD monitor * Cruise control with steering wheel controls * Power door locks with 2 stage unlock, keyfob (all doors) keyless entry * 2 12V DC power outlets, retained accessory power, SiriusXM Guardian emergency SOS, Uconnect w/Bluetooth wireless phone connectivity * Analog instrumentation appearance includes tachometer, oil pressure gauge, engine temperature gauge, voltmeter gauge, oil temperature gauge, transmission fluid temp gauge, engine hour meter, compass, exterior temp, systems monitor, redundant digital speedometer, camera(s) - rear camera, trip odometer * Warning indicators include oil pressure, engine temperature, battery, low oil level, low coolant, lights on, key, low fuel, low washer fluid, lighting malfunction, door ajar, service interval, brake fluid, turn signal on, transmission fluid temp * Steering wheel with tilt adjustment * Power front windows with light tint, driver and passenger 1-touch down * Variable intermittent front windshield wipers * Passenger side vanity mirror * Day-night rearview mirror * Interior lights include dome light with fade, front reading lights, illuminated entry * Mini overhead console, glove box, front cupholder, instrument panel bin, dashboard storage, driver and passenger door bins * Upfitter switches

The information contained in this package is provided to assist in assessing our vehicles and is for your information only. Prices and content information shown are subject to change and should be treated as estimates only. Information on the comparison vehicle is derived from available public sources and may not be completely current or accurate. No representations, warranties or guarantees are given in the information. Neither Chrysler nor the dealer will be liable for any reliance on the contents hereof. Please see salesperson for the most current information and other details. Actual pricing may vary. Reference DX05103595 8/19/2021

VEHICLE OVERVIEW Continued

Seating and Interior

Seating capacity of 3 * 40-20-40 split-bench front seat with adjustable head restraints, center armrest with storage * 4-way adjustable driver seat * 4-way adjustable passenger seat * Vinyl faced front seats with vinyl back material * Cloth door trim insert, full cloth headliner, full vinyl/rubber floor covering, deluxe sound insulation, metal-look instrument panel insert, urethane gear shifter material, metal-look door panel insert, chrome/metal-look interior accents

Exterior Features

Side impact beams, front license plate bracket, galvanized steel/aluminum body material * Black fender flares * Black side window moldings, black front windshield molding * Black door handles * Black grille * 2 doors * Trailer harness, brake controller, trailer sway control * Driver and passenger power remote black heated convex spotter folding manual extendable trailer outside mirrors with turn signal indicators, clearance lights * Front chrome bumper with front tow hooks * Aero-composite halogen auto on/off headlamps with multiple headlamps, delay-off feature * Additional exterior lights include cab clearance lights, remote activated perimeter/approach lights * Clearcoat monotone paint

Warranty

Basic	36 month/36,000 miles	Powertrain	60 month/100,000 miles
Corrosion Perforation	60 month/100,000 miles	Roadside Assistance	60 month/100,000 miles
Diesel Engine	60 month/100,000 miles		

Dimensions and Capacities

Output	360 hp @ 2,800 rpm	Torque	800 lb.-ft. @ 1,800 rpm
Drag coefficient	0.41	1st gear ratio	3.750
2nd gear ratio	2.000	3rd gear ratio	1.340
4th gear ratio	1.000	5th gear ratio	0.770
6th gear ratio	0.630	Reverse gear ratio	3.540
Curb weight	7,646 lbs.	GVWR	19,500 lbs.
Front GAWR	7,250 lbs.	Rear GAWR	13,500 lbs.
Payload	11,870 lbs.	Front curb weight	4,513 lbs.
Rear curb weight	3,133 lbs.	Front axle capacity	7,250 lbs.
Rear axle capacity	13,500 lbs.	Front spring rating	7,250 lbs.
Rear spring rating	13,500 lbs.	Front tire/wheel capacity	7,940 lbs.
Rear tire/wheel capacity	15,000 lbs.	Towing capacity	24,220 lbs.
Front legroom	40.9 "	Front headroom	39.8 "
Front hiproom	62.9 "	Front shoulder room	65.9 "
Passenger area volume	62.5 cu.ft.	Length	236.3 "
Body width	86.9 "	Body height	81.7 "
Wheelbase	144.5 "	Cab to axle	60.0 "
Axle to end of frame	50.8 "	Front track	77.1 "
Rear track	73.6 "	Turning radius	22.7 '
Fuel tank	52.0 gal.	Rear frame height loaded	31.2 "

The information contained in this package is provided to assist in assessing our vehicles and is for your information only. Prices and content information shown are subject to change and should be treated as estimates only. Information on the comparison vehicle is derived from available public sources and may not be completely current or accurate. No representations, warranties or guarantees are given in the information. Neither Chrysler nor the dealer will be liable for any reliance on the contents hereof. Please see salesperson for the most current information and other details. Actual pricing may vary. Reference DX05103595 8/19/2021

VEHICLE OVERVIEW Continued

Dimensions and Capacities (Continued)

Rear frame height unloaded 36.2 "

The information contained in this package is provided to assist in assessing our vehicles and is for your information only. Prices and content information shown are subject to change and should be treated as estimates only. Information on the comparison vehicle is derived from available public sources and may not be completely current or accurate. No representations, warranties or guarantees are given in the information. Neither Chrysler nor the dealer will be liable for any reliance on the contents hereof. Please see salesperson for the most current information and other details. Actual pricing may vary. Reference DX05103595 8/19/2021



Prepared For:
Sheldon Seward
Terex
South Dakota

Prepared By:
Mike Johnson
Watertown Ford Chrysler
1600 9th Ave SE
Watertown, South Dakota, 57201
Phone: 605-886-5844
Toll Free: 800-658-3671

STANDARD EQUIPMENT

2022 RAM 5500 Chassis

4x2 Regular Cab 144.5" WB Tradesman/SLT (DP5L63)

Powertrain

HEMI 6.4L V-8 OHV SMPI 16 valve engine with VVT variable valve control, variable intake length, cylinder deactivation * 180 amp alternator * 730 amp battery with run down protection * Engine oil cooler, transmission oil cooler * 6-speed electronic sequential shift control automatic transmission with overdrive, lock-up, driver selection * Rear-wheel drive * Limited slip differential, ABS & driveline traction control, power take-off provision * 4.44 axle ratio * Stainless steel exhaust

Steering and Suspension

Hydraulic power-assist re-circulating ball steering * 4-wheel disc brakes with front and rear vented discs * Electronic stability * Non-independent front suspension * Front leading link suspension * Front anti-roll bar * Front coil springs * HD front shocks * Rigid rear axle * Rear leaf suspension * HD rear anti-roll bar * HD rear leaf springs * HD rear shocks * Front and rear 19.5" x 6.00" argent steel wheels * 225/70R19.5 BSW AS

Safety

4-wheel anti-lock braking system * Daytime running lights * Dual airbags, airbag occupancy sensor * Front height adjustable seatbelts with front pre-tensioners * Sentry Key immobilizer

Comfort and Convenience

Air conditioning, air filter * SiriusXM AM/FM/Satellite-prep, clock, seek-scan, external memory control, 4 speakers, voice activation, Bluetooth streaming audio, integrated roof antenna * 1 1st row LCD monitor * Cruise control with steering wheel controls * 2 12V DC power outlets, retained accessory power, SiriusXM Guardian emergency SOS, Uconnect w/Bluetooth wireless phone connectivity * Analog instrumentation appearance includes tachometer, oil pressure gauge, engine temperature gauge, voltmeter gauge, oil temperature gauge, transmission fluid temp gauge, engine hour meter, compass, exterior temp, systems monitor, redundant digital speedometer, trip odometer * Warning indicators include oil pressure, engine temperature, battery, low oil level, low coolant, lights on, key, low fuel, low washer fluid, lighting malfunction, door ajar, service interval, brake fluid, turn signal on, transmission fluid temp * Steering wheel with tilt adjustment * Manual front windows with light tint * Variable intermittent front windshield wipers * Passenger side vanity mirror * Day-night rearview mirror * Interior lights include dome light with fade * Glove box, front cupholder, instrument panel bin, dashboard storage, driver and passenger door bins * Upfitter switches

Seating and Interior

Seating capacity of 3 * 40-20-40 split-bench front seat with adjustable head restraints, center armrest with

The information contained in this package is provided to assist in assessing our vehicles and is for your information only. Prices and content information shown are subject to change and should be treated as estimates only. Information on the comparison vehicle is derived from available public sources and may not be completely current or accurate. No representations, warranties or guarantees are given in the information. Neither Chrysler nor the dealer will be liable for any reliance on the contents hereof. Please see salesperson for the most current information and other details. Actual pricing may vary. Reference DX05103595 8/19/2021

STANDARD EQUIPMENT Continued

Seating and Interior (Continued)

storage * 4-way adjustable driver seat * 4-way adjustable passenger seat * Vinyl faced front seats with vinyl back material * Full cloth headliner, full vinyl/rubber floor covering, deluxe sound insulation, metal-look instrument panel insert, urethane gear shifter material, chrome/metal-look interior accents

Exterior Features

Side impact beams, galvanized steel/aluminum body material * Black fender flares * Black side window moldings, black front windshield molding * Black door handles * Black grille * 2 doors * Trailer harness, trailer sway control * Driver and passenger manual black convex spotter folding manual extendable trailer outside mirrors * Front black bumper with front tow hooks * Aero-composite halogen auto on/off headlamps with multiple headlamps, delay-off feature * Additional exterior lights include cab clearance lights * Clearcoat monotone paint

Warranty

Basic	36 month/36,000 miles	Powertrain	60 month/60,000 miles
Corrosion Perforation	60 month/100,000 miles	Roadside Assistance	60 month/100,000 miles

Dimensions and Capacities

Output	370 hp @ 5,600 rpm	Torque	429 lb.-ft. @ 4,000 rpm
Drag coefficient	0.41	1st gear ratio	3.230
2nd gear ratio	1.840	3rd gear ratio	1.410
4th gear ratio	1.000	5th gear ratio	0.820
6th gear ratio	0.630	Reverse gear ratio	4.440
Curb weight	6,862 lbs.	GVWR	18,000 lbs.
Front GAWR	6,000 lbs.	Rear GAWR	13,500 lbs.
Payload	11,140 lbs.	Front curb weight	3,750 lbs.
Rear curb weight	3,112 lbs.	Front axle capacity	7,000 lbs.
Rear axle capacity	13,500 lbs.	Front spring rating	6,000 lbs.
Rear spring rating	13,500 lbs.	Front tire/wheel capacity	7,940 lbs.
Rear tire/wheel capacity	15,000 lbs.	Towing capacity	18,990 lbs.
Front legroom	40.9 "	Front headroom	39.8 "
Front hiproom	62.9 "	Front shoulder room	65.9 "
Passenger area volume	62.5 cu.ft.	Length	236.3 "
Body width	86.9 "	Body height	81.7 "
Wheelbase	144.5 "	Cab to axle	60.0 "
Axle to end of frame	50.8 "	Front track	77.1 "
Rear track	73.6 "	Turning radius	22.7 '
Fuel tank	52.0 gal.	Rear frame height loaded	31.2 "
Rear frame height unloaded	36.2 "		

The information contained in this package is provided to assist in assessing our vehicles and is for your information only. Prices and content information shown are subject to change and should be treated as estimates only. Information on the comparison vehicle is derived from available public sources and may not be completely current or accurate. No representations, warranties or guarantees are given in the information. Neither Chrysler nor the dealer will be liable for any reliance on the contents hereof. Please see salesperson for the most current information and other details. Actual pricing may vary. Reference DX05103595 8/19/2021

Chassis Optioned



Prepared For:
Sheldon Seward
Terex
South Dakota

Prepared By:
Mike Johnson
Watertown Ford Chrysler
1600 9th Ave SE
Watertown, South Dakota, 57201
Phone: 605-886-5844
Toll Free: 800-658-3671

SELECTED EQUIPMENT 2022 RAM 5500 Chassis

4x2 Regular Cab 144.5" WB Tradesman/SLT (DP5L63)

DP5L63	Base Vehicle Price (DP5L63)	STD
Packages		
2YA	Quick Order Package 2YA Tradesman <i>Black Wheel Flares; Door Sill Scuff Pads; Glove Box; Matte Black Grille Surround; Halogen Quad Headlamps; Black Key Fob; Map/Courtesy Lamp; Rear Dome Lamp; Urethane Shift Control</i>	OPT
Emissions		
NAS	50 State Emissions	OPT
Powertrain		
ETN	Engine: 6.7L I6 Cummins Turbo Diesel <i>87 mph Maximum Speed; B-20 Bio Diesel Capability; Clean Idle Emissions Label; Cummins Turbo Diesel Badge; Current Generation Engine Controller; Distribution Services Tracking; Dual 730 Amp Maintenance Free Batteries; Electronically Controlled Throttle; (Z5A) GVWR: 19,500 lbs; Selective Catalytic Reduction (Urea); Smart Diesel Exhaust Brake; Supplemental Heater</i>	OPT
DF2	Transmission: 6-Speed Auto Aisin AS69RC HD	OPT
DMK	4.44 Axle Ratio	STD
Z5A	GVWR: 19,500 lbs	INC
Wheels & Tires		
TAJ	Tires: 225/70R19.5G FT All Position, RR Traction	OPT
WP3	Wheels: 19.5" x 6.0" Steel	STD
Seats & Seat Trim		
TX	HD Vinyl 40/20/40 Split Bench Seat	STD

The information contained in this package is provided to assist in assessing our vehicles and is for your information only. Prices and content information shown are subject to change and should be treated as estimates only. Information on the comparison vehicle is derived from available public sources and may not be completely current or accurate. No representations, warranties or guarantees are given in the information. Neither Chrysler nor the dealer will be liable for any reliance on the contents hereof. Please see salesperson for the most current information and other details. Actual pricing may vary. Reference DX05103595 8/19/2021

SELECTED EQUIPMENT Continued

Other Options

APA	Monotone Paint Application <i>Exterior content such as door handles, fascia, mirrors, etc. are black when ordering special low volume paints.</i>	STD
AMP	Chrome Appearance Group <i>Bright Front Bumper; Center Hub; Matte Black Mesh w/Chrome Grille; Chrome Grille Surround</i>	OPT
ADE	Cold Weather Group <i>(NHK) Engine Block Heater; MOPAR Winter Front Grille Cover</i>	OPT
NHK	Engine Block Heater	INC
MDA	Front License Plate Bracket	OPT
AZB	Heavy Duty Front Suspension Group	OPT
XAC	ParkView Rear Back-Up Camera	OPT
LBN	Power Take Off Prep <i>Hard Wired Remote Start; Split Shaft Capability Power Take Off</i>	OPT
A61	Tradesman Level 1 Equipment Group <i>Exterior Mirrors w/Supplemental Signals; Exterior Mirrors Courtesy Lamps; Exterior Mirrors w/Heating Element; Mirror Running Lights; Overhead Console; Overhead Cupholder Lamp; Power Black Trailer Tow Mirrors; Front 1-Touch Down Power Windows; Remote Keyless Entry; Speed Sensitive Power Locks; Upgraded Door Trim Panels</i>	OPT
XHC	Trailer Brake Control <i>Trailer Light Check</i>	OPT
UAA	Radio: Uconnect 3 w/5" Display	STD
	<b style="color: red;">Interior Colors For : Primary w/Regular Cabs	
X8	Diesel Gray/Black	OPT
	<b style="color: red;">Primary Colors For : Primary w/Regular Cabs	
PW7	Bright White Clearcoat	OPT

Vehicle Subtotal
Destination

Vehicle Subtotal (including Destination)

The information contained in this package is provided to assist in assessing our vehicles and is for your information only. Prices and content information shown are subject to change and should be treated as estimates only. Information on the comparison vehicle is derived from available public sources and may not be completely current or accurate. No representations, warranties or guarantees are given in the information. Neither Chrysler nor the dealer will be liable for any reliance on the contents hereof. Please see salesperson for the most current information and other details. Actual pricing may vary. Reference DX05103595 8/19/2021

Chassis Optioned



Prepared For:
Sheldon Seward
Terex
South Dakota

Prepared By:
Mike Johnson
Watertown Ford Chrysler
1600 9th Ave SE
Watertown, South Dakota, 57201
Phone: 605-886-5844
Toll Free: 800-658-3671

DIMENSIONS & CAPACITIES **2022 RAM 5500 Chassis**

4x2 Regular Cab 144.5" WB Tradesman/SLT (DP5L63)

Output	360 hp @ 2,800 rpm
Torque	800 lb.-ft. @ 1,800 rpm
Drag coefficient	0.41
1st gear ratio	3.750
2nd gear ratio	2.000
3rd gear ratio	1.340
4th gear ratio	1.000
5th gear ratio	0.770
6th gear ratio	0.630
Reverse gear ratio	3.540
Curb weight	7,646 lbs.
GVWR	19,500 lbs.
Front GAWR	7,250 lbs.
Rear GAWR	13,500 lbs.
Payload	11,870 lbs.
Front curb weight	4,513 lbs.
Rear curb weight	3,133 lbs.
Front axle capacity	7,250 lbs.
Rear axle capacity	13,500 lbs.
Front spring rating	7,250 lbs.
Rear spring rating	13,500 lbs.
Front tire/wheel capacity	7,940 lbs.
Rear tire/wheel capacity	15,000 lbs.
Towing capacity	24,220 lbs.
Front legroom	40.9 "
Front headroom	39.8 "
Front hiproom	62.9 "
Front shoulder room	65.9 "
Passenger area volume	62.5 cu.ft.
Length	236.3 "
Body width	86.9 "
Body height	81.7 "
Wheelbase	144.5 "
Cab to axle	60.0 "

The information contained in this package is provided to assist in assessing our vehicles and is for your information only. Prices and content information shown are subject to change and should be treated as estimates only. Information on the comparison vehicle is derived from available public sources and may not be completely current or accurate. No representations, warranties or guarantees are given in the information. Neither Chrysler nor the dealer will be liable for any reliance on the contents hereof. Please see salesperson for the most current information and other details. Actual pricing may vary. Reference DX05103595 8/19/2021

DIMENSIONS & CAPACITIES Continued

Axle to end of frame	50.8 "
Front track	77.1 "
Rear track	73.6 "
Turning radius	22.7 '
Fuel tank	52.0 gal.
Rear frame height loaded	31.2 "
Rear frame height unloaded	36.2 "

The information contained in this package is provided to assist in assessing our vehicles and is for your information only. Prices and content information shown are subject to change and should be treated as estimates only. Information on the comparison vehicle is derived from available public sources and may not be completely current or accurate. No representations, warranties or guarantees are given in the information. Neither Chrysler nor the dealer will be liable for any reliance on the contents hereof. Please see salesperson for the most current information and other details. Actual pricing may vary. Reference DX05103595 8/19/2021



Prepared For:
Sheldon Seward
Terex
South Dakota

Prepared By:
Mike Johnson
Watertown Ford Chrysler
1600 9th Ave SE
Watertown, South Dakota, 57201
Phone: 605-886-5844
Toll Free: 800-658-3671

WARRANTY **2022 RAM 5500 Chassis**

4x2 Regular Cab 144.5" WB Tradesman/SLT (DP5L63)

	Months/Distance
Basic	36 month/36,000 miles
Powertrain	60 month/100,000 miles
Corrosion Perforation	60 month/100,000 miles
Roadside Assistance	60 month/100,000 miles
Diesel Engine	60 month/100,000 miles

The information contained in this package is provided to assist in assessing our vehicles and is for your information only. Prices and content information shown are subject to change and should be treated as estimates only. Information on the comparison vehicle is derived from available public sources and may not be completely current or accurate. No representations, warranties or guarantees are given in the information. Neither Chrysler nor the dealer will be liable for any reliance on the contents hereof. Please see salesperson for the most current information and other details. Actual pricing may vary. Reference DX05103595 8/19/2021



Prepared For:
Sheldon Seward
Terex
South Dakota

Prepared By:
Mike Johnson
Watertown Ford Chrysler
1600 9th Ave SE
Watertown, South Dakota, 57201
Phone: 605-886-5844
Toll Free: 800-658-3671

JOB RATING **2022 RAM 5500 Chassis**

4x2 Regular Cab 144.5" WB Tradesman/SLT (DP5L63)

Performance predictions in this report represent an estimate of vehicle performance based on standard operating conditions. Variations in customer equipment, load configuration, ambient conditions, and/or operator driving techniques can cause significant variations in vehicle performance. These values are not representative of results that may be shown in actual dynamometer tests. This report should therefore be used as a guide for comparative vehicle performance.

Start Tests	Calculated	Desired
Start grade capability in gear 1	35.1 %	.0 %
Start grade capability in reverse	33.1 %	.0 %

Grade Tests	Calculated	Desired
Maximum grade in gear 3	14.8 %	3.0 %
Maximum grade in gear 4	11.1 %	3.0 %
Maximum grade in gear 5	8.5 %	3.0 %
Maximum grade in gear 6	7.0 %	3.0 %

Speed Tests

Given your requirement to go 65 mph, you need a maximum axle ratio of 7.21.
Given your requirement to go 55 mph at a grade of 3.0%, you need a minimum of 124 hp.
The engine RPM at 60 mph cruise speed is 1,818 rpm

Test Variables Used

Rear axle ratio:	4.44	Rear axle ratio:	4.44
Gear 1 ratio:	3.75	Drag Coefficient	0.41
Gear reverse ratio:	3.54		
Tire size:	225/70R19.5 (650rev/mile)		
Gross vehicle weight (GVW):	19,500 lbs		
Clutch engagement torque:	400 ft.lbs.		
Torque conversion ratio:	1.7		
Gear 3 ratio:	1.34		
Gear 4 ratio:	1.00		
Gear 5 ratio:	0.77		
Gear 6 ratio:	0.63		
Peak engine torque:	800 ft.lbs.		
Engine Power:	360 hp @ 2,800 rpm		
Governed RPM:	3,200 rpm		
Frontal Area:	43.9 Sq.Ft.		
Cruising RPM	2,880 rpm		
Worst road surface	Typical Highway		
Final Drive Ratio:	0.63		
Rear axle ratio:	4.44		

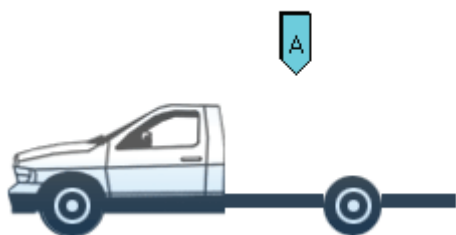
The information contained in this package is provided to assist in assessing our vehicles and is for your information only. Prices and content information shown are subject to change and should be treated as estimates only. Information on the comparison vehicle is derived from available public sources and may not be completely current or accurate. No representations, warranties or guarantees are given in the information. Neither Chrysler nor the dealer will be liable for any reliance on the contents hereof. Please see salesperson for the most current information and other details. Actual pricing may vary. Reference DX05103595 8/19/2021

JOB RATING Continued

Weight Tests

Variables	Front Axle	Rear Axle	Totals
Chassis	4,513 lbs	3,133 lbs	7,646 lbs
Body	0 lbs	0 lbs	0 lbs
Payload	2,496 lbs	9,358 lbs	11,854 lbs
TOTAL	7,009 lbs	12,491 lbs	19,500 lbs

Weights



Ratings			GVWR
GAWR	7,250 lbs	13,500 lbs	19,500 lbs
Wheels/Tires	7,940 lbs	15,000 lbs	
Suspension	7,250 lbs	13,500 lbs	
Axle	7,250 lbs	13,500 lbs	
Legal Limit	0 lbs	0 lbs	

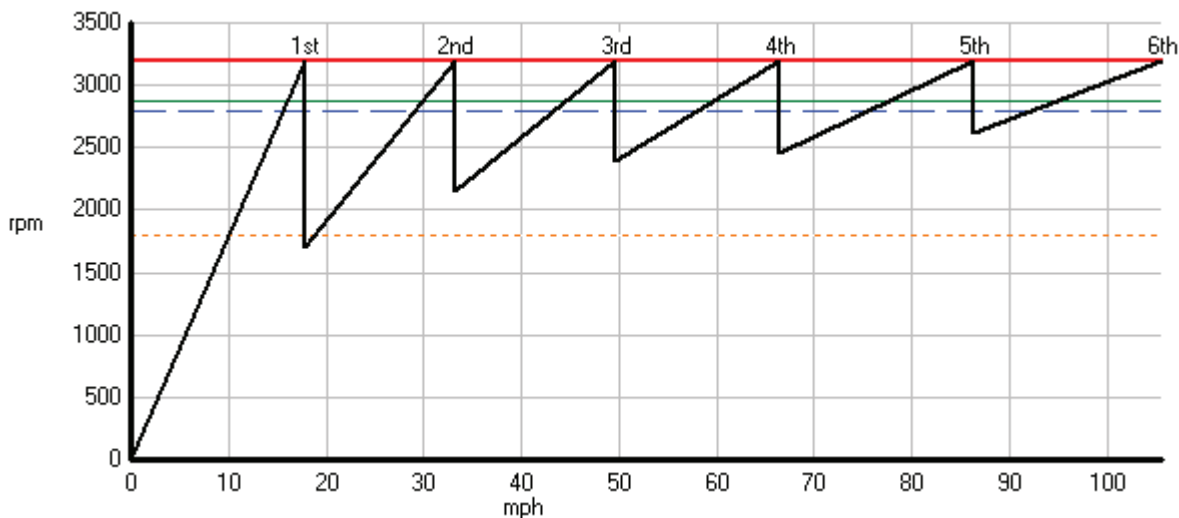
Weight Summary	Calculated	GAWR	Legal Limits
Front axle load is	7,009 lbs	7,250 lbs	0 lbs
Rear axle load is	12,491 lbs	13,500 lbs	0 lbs

Weight Point Load Legend	
Point A	11,404 lbs

The information contained in this package is provided to assist in assessing our vehicles and is for your information only. Prices and content information shown are subject to change and should be treated as estimates only. Information on the comparison vehicle is derived from available public sources and may not be completely current or accurate. No representations, warranties or guarantees are given in the information. Neither Chrysler nor the dealer will be liable for any reliance on the contents hereof. Please see salesperson for the most current information and other details. Actual pricing may vary. Reference DX05103595 8/19/2021

JOB RATING Continued

Shift Chart



The information contained in this package is provided to assist in assessing our vehicles and is for your information only. Prices and content information shown are subject to change and should be treated as estimates only. Information on the comparison vehicle is derived from available public sources and may not be completely current or accurate. No representations, warranties or guarantees are given in the information. Neither Chrysler nor the dealer will be liable for any reliance on the contents hereof. Please see salesperson for the most current information and other details. Actual pricing may vary. Reference DX05103595 8/19/2021

Optioned Chassis

Prepared for: Mr. Sheldon Seward, Buyer, Terex

3140 15th Ave Se

Watertown, SD 57201

Office: 605-882-5515

Email: sheldon.seward@terex.com

2022 F-550 Chassis 4x4 SD Regular Cab 145" WB DRW XL (F5H)

Price Level: 215



Client Proposal

Prepared by:

Mike Johnson

Office: 605-886-5844

Email: mike@watertownfordchrysler.com

Quote ID: Spec32

Date: 03/27/2021



Watertown Ford | 1600 9th Avenue SE, Watertown, South Dakota, 572015305

Office: 605-886-5844 | Fax: 605-886-5909

Prepared for: Mr. Sheldon Seward

Optioned Chassis



Buyer, Terex

Prepared by: Mike Johnson

03/27/2021

Watertown Ford | 1600 9th Avenue SE Watertown South Dakota | 572015305

2022 F-550 Chassis 4x4 SD Regular Cab 145" WB DRW XL (F5H)

Price Level: 215 | Quote ID: Spec32

Mr. Sheldon Seward, Buyer, Terex

3140 15th Ave Se

Watertown, SD 57201

Office: 605-882-5515

Email: sheldon.seward@terex.com

Re: Quote ID Spec32 03/27/2021

Dear Mr. Seward,

Thank you very much for your interest in acquiring a vehicle from our dealership. We concur that your interest is well deserved. We hope that an outstanding product lineup and our dedication to customer service will enhance your ownership experience should you decide to buy a vehicle from us.

Attached, please find additional information that I hope will assist you in making a more informed decision. Please feel free to contact me at any time as I would truly appreciate the opportunity to be of service to you.

Sincerely,

Mike Johnson

Fleet Sales

605-886-5844

mike@watertownfordchrysler.com

Prepared for: Mr. Sheldon Seward

Optioned Chassis



Buyer, Terex

Prepared by: Mike Johnson

03/27/2021

Watertown Ford | 1600 9th Avenue SE Watertown South Dakota | 572015305

2022 F-550 Chassis 4x4 SD Regular Cab 145" WB DRW XL (F5H)

Price Level: 215 | Quote ID: Spec32

Table of Contents

Description	Page
Cover Page	1
Cover Letter	2
Table of Contents	3
Selected Equip & Specs	4
As Configured Vehicle	13
Warranty	16
Vehicle Dimension and Performance	17
Pricing Summary - Single Vehicle	21



2022 F-550 Chassis 4x4 SD Regular Cab 145" WB DRW XL (F5H)

Price Level: 215 | Quote ID: Spec32

Selected Equip & Specs

Dimensions

* **Exterior length: 272.9"** • Cab to axle: 60.0" • Exterior width: 80.0" • Exterior height: 81.5" • Wheelbase: 145.0" • Front track: 74.8" • Rear track: 74.0" • Turning radius: 21.2' • Rear tire outside width: 93.9" • Min ground clearance: 8.2" • Front legroom: 43.9" • Front headroom: 40.8" • Front hiproom: 62.5" • Front shoulder room: 66.7" • Passenger volume: 64.6cu.ft. • Cargo volume: 11.6cu.ft. • Maximum cargo volume: 11.6cu.ft.

Powertrain

* **Powerstroke 330hp 6.7L OHV 32 valve intercooled turbo V-8 engine with diesel direct injection** * **Recommended fuel : diesel** • federal • TorqShift 10 speed automatic transmission with overdrive • Part-time * **Limited slip differential** • Fuel Economy Cty: N/A • Fuel Economy Highway: N/A * **Transmission PTO provision**

Suspension/Handling

• Front Mono-beam non-independent suspension with anti-roll bar, HD shocks * **Rear DANA 130 rigid axle leaf spring suspension with anti-roll bar, HD shocks** • Firm ride Suspension • Hydraulic power-assist re-circulating ball Steering • Front and rear 19.5 x 6 argent steel wheels * **LT225/70SR19.5 GBSW AT front and rear tires** • Dual rear wheels

Body Exterior

• 2 doors * **Driver and passenger power remote heated, manual folding door mirrors with turn signal indicator** * **Turn signal indicator in mirrors** • Black door mirrors * **Chrome bumpers** • Trailer harness • Clearcoat paint • Front and rear 19.5 x 6 wheels • 2 front tow hook(s)

Convenience

• Manual air conditioning with air filter * **Cruise control with steering wheel controls** * **Power front windows** * **Driver and passenger 1-touch up** * **Driver and passenger 1-touch down** * **Remote power door locks with 2 stage unlock and illuminated entry** • Manual tilt steering wheel • Manual telescopic steering wheel • Day-night rearview mirror • FordPass Connect 4G internet access • 911 Assist emergency SOS • Wireless phone connectivity • AppLink smart device integration • 2 1st row LCD monitors • Front cupholders • Passenger visor mirror * **Driver and passenger door bins** • Upfitter switches

Seats and Trim

• Seating capacity of 3 • Front 40-20-40 split-bench seat • 4-way driver seat adjustment • Manual driver lumbar support • 4-way passenger seat adjustment • Centre front armrest with storage

Entertainment Features

• AM/FM stereo radio • SYNC external memory control • Steering wheel mounted radio controls • 4 speakers • Streaming audio • Fixed antenna

Lighting, Visibility and Instrumentation

• Halogen aero-composite headlights • Delay-off headlights • Fully automatic headlights • Variable intermittent front windshield wipers • Light tinted windows • Front reading lights • Tachometer • Compass • Outside temperature display * **Camera(s) - rear** • Trip computer • Trip odometer



Buyer, Terex

Prepared by: Mike Johnson

03/27/2021

Watertown Ford | 1600 9th Avenue SE Watertown South Dakota | 572015305

2022 F-550 Chassis 4x4 SD Regular Cab 145" WB DRW XL (F5H)

Price Level: 215 | Quote ID: Spec32

Selected Equip & Specs (cont'd)

Safety and Security

- 4-wheel ABS brakes • Brake assist • 4-wheel disc brakes • Driveline traction control • Dual front impact airbag supplemental restraint system with passenger cancel • Dual seat mounted side impact airbag supplemental restraint system • Safety Canopy System curtain 1st row overhead airbag supplemental restraint system * **Remote activated perimeter/approach lighting** * **Power remote door locks with 2 stage unlock and panic alarm** * **Security system with SecuriLock immobilizer** * **MyKey restricted driving mode** • Manually adjustable front head restraints

Dimensions

General Weights

* Curb	7,809 lbs.	* GVWR	19,500 lbs.
* Payload	11,750 lbs.		

Front Weights

* Front GAWR	7,000 lbs.	* Front curb weight	4,604 lbs.
Front axle capacity	7,000 lbs.	* Front spring rating	7,000 lbs.
Front tire/wheel capacity	7,500 lbs.		

Rear Weights

* Rear GAWR	14,706 lbs.	* Rear curb weight	3,205 lbs.
* Rear axle capacity	14,706 lbs.	* Rear spring rating	15,000 lbs.
Rear tire/wheel capacity	15,000 lbs.		

Trailer Type

Harness	Yes	* Brake controller	Yes
Trailer sway control	Yes		

General Trailering

* 5th-wheel towing capacity	23800 lbs.	* Gooseneck towing capacity	23800 lbs.
Towing capacity	18500 lbs.	* GCWR	32500 lbs.

Fuel Tank type

Capacity	40 gal.
----------------	---------

Off Road

Min ground clearance	8 "
----------------------------	-----

Interior cargo

Cargo volume	11.6 cu.ft.	Maximum cargo volume	11.6 cu.ft.
--------------------	-------------	----------------------------	-------------

Rear Frame

Height loaded	29 "	* Height unloaded	36 "
---------------------	------	-------------------------	------

Prices and content availability as shown are subject to change and should be treated as estimates only. Actual base vehicle, package and option pricing may vary from this estimate because of special local pricing, availability or pricing adjustments not reflected in the dealer's computer system. See salesperson for the most current information.



Buyer, Terex

Prepared by: Mike Johnson

03/27/2021

Watertown Ford | 1600 9th Avenue SE Watertown South Dakota | 572015305

2022 F-550 Chassis 4x4 SD Regular Cab 145" WB DRW XL (F5H)

Price Level: 215 | Quote ID: Spec32

Selected Equip & Specs (cont'd)

Powertrain

Engine Type

* Brand	Powerstroke	Block material	Iron
Cylinders	V-8	Head material	Aluminum
* Ignition	Compression	* Injection	Diesel direct injection
* Liters	6.7L	Orientation	Longitudinal
* Recommended fuel	Diesel	* Valves per cylinder	4
Valvetrain	OHV	* Forced induction	Intercooled turbo

Engine Spec

* Bore	3.90"	* Compression ratio	15.8:1
* Displacement	406 cu.in.	* Stroke	4.25"

Engine Power

SAEJ1349 AUG2004 compliant	Yes	* Output	330 HP @ 2,600 RPM
* Torque	825 ft.-lb @ 2,000 RPM		

Alternator

* Type	Dual	* Amps	332
--------	-------------	--------	------------

Battery

Amp hours	78	Cold cranking amps	750
Run down protection	Yes	* Type	Dual

Engine Extras

* Block heater	Yes
----------------	------------

Transmission

Electronic control	Yes	Lock-up	Yes
Overdrive	Yes	Speed	10
Type	Automatic		

Transmission Gear Ratios

1st	4.696	2nd	2.985
3rd	2.146	4th	1.769
5th	1.52	6th	1.275
7th	1	8th	0.854
9th	0.689	10th	0.616
Reverse Gear ratios	4.866		

Transmission Extras

Prices and content availability as shown are subject to change and should be treated as estimates only. Actual base vehicle, package and option pricing may vary from this estimate because of special local pricing, availability or pricing adjustments not reflected in the dealer's computer system. See salesperson for the most current information.



Buyer, Terex

Prepared by: Mike Johnson

03/27/2021

Watertown Ford | 1600 9th Avenue SE Watertown South Dakota | 572015305

2022 F-550 Chassis 4x4 SD Regular Cab 145" WB DRW XL (F5H)

Price Level: 215 | Quote ID: Spec32

Selected Equip & Specs (cont'd)

Driver selectable mode	Yes	Sequential shift control	SelectShift
Oil cooler	Regular duty	* PTO provision	Yes
<i>Drive Type</i>			
4wd type	Part-time	Type	Four-wheel
<i>Drive Feature</i>			
* Limited slip differential	Mechanical	Traction control	Driveline
* Power take-off provision	Yes	Locking hub control	Auto
Transfer case shift	Electronic		
<i>Drive Axle</i>			
Ratio	4.88		
<i>Exhaust</i>			
Material	Stainless steel	System type	Single
<i>Emissions</i>			
CARB	Federal		
<i>Fuel Economy</i>			
* Fuel type	Diesel		
<i>Engine Retarder</i>			
* Type	Yes		

Driveability

<i>Brakes</i>			
ABS	4-wheel	ABS channels	3
Type	4-wheel disc	Vented discs	Front and rear
<i>Brake Assistance</i>			
Brake assist	Yes		
<i>Suspension Control</i>			
Ride	Firm		
<i>Front Suspension</i>			
Independence	Mono-beam non-independent	Anti-roll bar	Regular
<i>Front Spring</i>			
Type	Coil	* Grade	HD
<i>Front Shocks</i>			
Type	HD		

Prices and content availability as shown are subject to change and should be treated as estimates only. Actual base vehicle, package and option pricing may vary from this estimate because of special local pricing, availability or pricing adjustments not reflected in the dealer's computer system. See salesperson for the most current information.



Buyer, Terex

Prepared by: Mike Johnson

03/27/2021

Watertown Ford | 1600 9th Avenue SE Watertown South Dakota | 572015305

2022 F-550 Chassis 4x4 SD Regular Cab 145" WB DRW XL (F5H)

Price Level: 215 | Quote ID: Spec32

Selected Equip & Specs (cont'd)

Rear Suspension

* Independence **DANA 130 rigid axle** Type Leaf
 Anti-roll bar Regular

Rear Spring

Type Leaf Grade HD

Rear Shocks

Type HD

Steering

Activation Hydraulic power-assist Type Re-circulating ball

Steering Specs

of wheels 2

Exterior

Front Wheels

Diameter 19.5" Width 6.00"

Rear Wheels

Diameter 19.5" Width 6.00"
 Dual Yes

Front and Rear Wheels

Appearance Argent Material Steel

Front Tires

Aspect 70 Diameter 19.5"
 Sidewalls BSW Speed S
 * Tread **AT** Type LT
 Width 225mm LT load rating G
 * RPM **645**

Rear Tires

Aspect 70 Diameter 19.5"
 Sidewalls BSW Speed S
 * Tread **AT** Type LT
 Width 225mm LT load rating G
 * RPM **645**

Wheels

Front track 74.8" Rear track 74.0"
 Turning radius 21.2' Wheelbase 145.0"

Prices and content availability as shown are subject to change and should be treated as estimates only. Actual base vehicle, package and option pricing may vary from this estimate because of special local pricing, availability or pricing adjustments not reflected in the dealer's computer system. See salesperson for the most current information.

Prepared for: Mr. Sheldon Seward

Optioned Chassis



Buyer, Terex

Prepared by: Mike Johnson

03/27/2021

Watertown Ford | 1600 9th Avenue SE Watertown South Dakota | 572015305

2022 F-550 Chassis 4x4 SD Regular Cab 145" WB DRW XL (F5H)

Price Level: 215 | Quote ID: Spec32

Selected Equip & Specs (cont'd)

Rear tire outside width 93.9"

Body Features

Front splash guards Yes
Side impact beams Yes

Body material Aluminum
Front tow hook(s) 2

Body Doors

Door count 2

Exterior Dimensions

* **Length** **272.9"**
Body height 81.5"
* **Axle to end of frame** **89.4"**
Frame yield strength (psi) 50000.0
Front bumper to Front axle 38.3"
Front bumper to back of cab 123.7"

Body width 80.0"
Cab to axle 60.0"
Frame section modulus 12.7cu.in.
Frame rail width 34.2"
* **Cab to end of frame** **149.4"**

Safety

Airbags

Driver front-impact Yes
Overhead... Safety Canopy System curtain 1st row
Passenger side-impact Seat mounted

Driver side-impact Seat mounted
Passenger front-impact Cancellable

Seatbelt

Height adjustable Front

Security

* **Immobilizer** **SecuriLock**
* **Restricted driving mode** **MyKey**

* **Panic alarm** **Yes**

Seating

Passenger Capacity

Capacity 3

Front Seats

Split 40-20-40

Type Split-bench

Driver Seat

Fore/aft Manual
Way direction control 4

Reclining Manual
Lumbar support Manual

Passenger seat

Fore/aft Manual

Reclining Manual

Prices and content availability as shown are subject to change and should be treated as estimates only. Actual base vehicle, package and option pricing may vary from this estimate because of special local pricing, availability or pricing adjustments not reflected in the dealer's computer system. See salesperson for the most current information.



2022 F-550 Chassis 4x4 SD Regular Cab 145" WB DRW XL (F5H)

Price Level: 215 | Quote ID: Spec32

Selected Equip & Specs (cont'd)

Way direction control 4

Front Head Restraint

Control Manual Type Adjustable

Front Armrest

Centre Yes Storage Yes

Front Seat Trim

Material Vinyl Back material Vinyl

Convenience

AC And Heat Type

Air conditioning Manual Air filter Yes

Audio System

Radio AM/FM stereo Radio grade Regular
Seek-scan Yes External memory control SYNC

Audio Speakers

Speaker type Regular Speakers 4

Audio Controls

Steering wheel controls Yes Voice activation Yes
Streaming audio Bluetooth yes

Audio Antenna

Type Fixed

LCD Monitors

1st row 2 Primary monitor size (inches) 4.2

Cruise Control

* Cruise control With steering wheel controls

Convenience Features

* Retained accessory power Yes 12V DC power outlet 3
Emergency SOS 911 Assist Wireless phone connectivity Bluetooth
Smart device integration App link Upfitter switches Yes

Door Lock Activation

* Type Power with 2 stage unlock * Remote Keyfob (all doors)
* Integrated key/remote Yes

Door Locks Extra FOB Controls

Remote engine start Smart device only

Prices and content availability as shown are subject to change and should be treated as estimates only. Actual base vehicle, package and option pricing may vary from this estimate because of special local pricing, availability or pricing adjustments not reflected in the dealer's computer system. See salesperson for the most current information.



2022 F-550 Chassis 4x4 SD Regular Cab 145" WB DRW XL (F5H)

Price Level: 215 | Quote ID: Spec32

Selected Equip & Specs (cont'd)

Instrumentation Type

Display Analog

Instrumentation Gauges

Tachometer Yes Engine temperature Yes

* Turbo/supercharger boost Yes Transmission fluid temp Yes

Engine hour meter Yes

Instrumentation Warnings

Oil pressure Yes Engine temperature Yes

Battery Yes Lights on Yes

Key Yes Low fuel Yes

Door ajar Yes Service interval Yes

Brake fluid Yes

Instrumentation Displays

Clock In-radio display Compass Yes

Exterior temp Yes Systems monitor Yes

* Camera(s) - rear Yes

Instrumentation Feature

Trip computer Yes Trip odometer Yes

Steering Wheel Type

Material Urethane Tilting Manual

Telescoping Manual

Front Side Windows

* Window 1st row activation Power

Window Features

* 1-touch down Driver and passenger * 1-touch up Driver and passenger

Tinted Light

Front Windshield

Wiper Variable intermittent

Rear Windshield

Window Fixed

Interior

Passenger Visor

Mirror Yes

Rear View Mirror

Prices and content availability as shown are subject to change and should be treated as estimates only. Actual base vehicle, package and option pricing may vary from this estimate because of special local pricing, availability or pricing adjustments not reflected in the dealer's computer system. See salesperson for the most current information.



Buyer, Terex

Prepared by: Mike Johnson

03/27/2021

Watertown Ford | 1600 9th Avenue SE Watertown South Dakota | 572015305

2022 F-550 Chassis 4x4 SD Regular Cab 145" WB DRW XL (F5H)

Price Level: 215 | Quote ID: Spec32

Selected Equip & Specs (cont'd)

Day-night	Yes		
<i>Headliner</i>			
Coverage	Full	Material	Cloth
<i>Floor Trim</i>			
Coverage	Full	Covering	Vinyl/rubber
<i>Trim Feature</i>			
Gear shifter material	Urethane	Interior accents	Chrome
<i>Lighting</i>			
Dome light type	Fade	Front reading	Yes
* Illuminated entry	Yes	Variable IP lighting	Yes
<i>Storage</i>			
* Driver door bin	Yes	Front Beverage holder(s)	Yes
Glove box	Locking	* Passenger door bin	Yes
Illuminated	Yes	Instrument panel	Covered bin
Dashboard	Yes		
<i>Legroom</i>			
Front	43.9"		
<i>Headroom</i>			
Front	40.8"		
<i>Hip Room</i>			
Front	62.5"		
<i>Shoulder Room</i>			
Front	66.7"		
<i>Interior Volume</i>			
Passenger volume	64.6 cu.ft.		

Prices and content availability as shown are subject to change and should be treated as estimates only. Actual base vehicle, package and option pricing may vary from this estimate because of special local pricing, availability or pricing adjustments not reflected in the dealer's computer system. See salesperson for the most current information.



Buyer, Terex

Prepared by: Mike Johnson

03/27/2021

Watertown Ford | 1600 9th Avenue SE Watertown South Dakota | 572015305

2022 F-550 Chassis 4x4 SD Regular Cab 145" WB DRW XL (F5H)

Price Level: 215 | Quote ID: Spec32

As Configured Vehicle

Code	Description
Base Vehicle	
F5H	Base Vehicle Price (F5H)
Packages	
660A	<p>Order Code 660A</p> <p><i>Includes:</i></p> <ul style="list-style-type: none"> - Transmission: TorqShift 10-Speed Automatic Includes neutral idle and selectable drive modes: normal, tow/haul, eco, deep sand/snow and slippery. - Wheels: 19.5" x 6" Argent Painted Steel Hub covers/center ornaments not included. - HD Vinyl 40/20/40 Split Bench Seat Includes center armrest, cupholder, storage and driver's side manual lumbar. - Radio: AM/FM Stereo w/MP3 Player Includes 4 speakers. - SYNC Communications & Entertainment System Includes enhanced voice recognition, 911 Assist, 4.2" LCD center stack screen, AppLink, 1 smart-charging USB port and steering wheel audio controls.
Powertrain	
99T	<p>Engine: 6.7L 4V OHV Power Stroke V8 Turbo Diesel B20</p> <p><i>Includes Diesel Exhaust Fluid (DEF) tank, intelligent oil-life monitor and manual push-button engine-exhaust braking.</i></p> <p><i>Includes:</i></p> <ul style="list-style-type: none"> - Dual 78-AH 750 CCA Batteries
44G	<p>Transmission: TorqShift 10-Speed Automatic</p> <p><i>Includes neutral idle and selectable drive modes: normal, tow/haul, eco, deep sand/snow and slippery.</i></p>
X8L	Limited Slip w/4.88 Axle Ratio
68M	<p>GVWR: 19,500 lb Payload Plus Upgrade Package</p> <p><i>Includes upgraded frame, rear-axle and low deflection/high capacity springs. Increases max RGAWR to 14, 706. Note: See Order Guide Supplemental Reference for further details on GVWR.</i></p>
Wheels & Tires	
TGK	<p>Tires: 225/70Rx19.5G BSW Traction (TGK)</p> <p><i>Includes 4 traction tires on the rear and 2 traction tires on the front. Not recommended for over the road applications; could incur irregular front tire wear and/or NVH.</i></p>
64Z	<p>Wheels: 19.5" x 6" Argent Painted Steel</p> <p><i>Hub covers/center ornaments not included.</i></p>
Seats & Seat Trim	
A	HD Vinyl 40/20/40 Split Bench Seat

Prices and content availability as shown are subject to change and should be treated as estimates only. Actual base vehicle, package and option pricing may vary from this estimate because of special local pricing, availability or pricing adjustments not reflected in the dealer's computer system. See salesperson for the most current information.



Buyer, Terex

Prepared by: Mike Johnson

03/27/2021

Watertown Ford | 1600 9th Avenue SE Watertown South Dakota | 572015305

2022 F-550 Chassis 4x4 SD Regular Cab 145" WB DRW XL (F5H)

Price Level: 215 | Quote ID: Spec32

As Configured Vehicle (cont'd)

Code	Description
	<i>Includes center armrest, cupholder, storage and driver's side manual lumbar.</i>
Other Options	
PAINT	Monotone Paint Application
145WB	145" Wheelbase
STDRD	Radio: AM/FM Stereo w/MP3 Player <i>Includes 4 speakers.</i> <i>Includes:</i> - SYNC Communications & Entertainment System <i>Includes enhanced voice recognition, 911 Assist, 4.2" LCD center stack screen, AppLink, 1 smart-charging USB port and steering wheel audio controls.</i>
96V	XL Value Package <i>Includes:</i> - XL Decor Group - Chrome Front Bumper - Steering Wheel-Mounted Cruise Control
90L	Power Equipment Group <i>Deletes passenger side lock cylinder. Includes upgraded door-trim panel.</i> <i>Includes:</i> - Accessory Delay - Advanced Security Pack <i>Includes SecuriLock Passive Anti-Theft System (PATS) and inclination/intrusion sensors.</i> - Folding Trailer Tow Mirrors w/Power Heated Glass <i>Includes manual telescoping, heated convex spotter mirror and integrated clearance lamps/turn signals.</i> - MyKey <i>Includes owner controls feature.</i> - Power Front Side Windows <i>Includes 1-touch up/down driver/passenger window.</i> - Power Locks - Remote Keyless Entry
473	Snow Plow Prep Package <i>Highly recommended for max power output. Includes pre-selected springs (see order guide supplemental reference for springs/FGAWR of specific vehicle configurations). Note 1: Restrictions apply; see supplemental reference or body builders layout book for details. Note 2: Also allows for the attachment of a winch. Note 3: Highly recommended to add (86M) dual battery on 7.3L gas engines.</i> <i>Includes:</i> - 332 Amp Alternator
63C	Aft-Axle Frame Extension <i>42.4" aft-of-axle frame extension increases AF dimension to 89.4"</i>
41H	Engine Block Heater
62R	Transmission Power Take-Off Provision <i>Includes transmission mounted live drive and stationary mode PTO.</i>
18A	Upfitter Interface Module

Prices and content availability as shown are subject to change and should be treated as estimates only. Actual base vehicle, package and option pricing may vary from this estimate because of special local pricing, availability or pricing adjustments not reflected in the dealer's computer system. See salesperson for the most current information.

Prepared for: Mr. Sheldon Seward

Optioned Chassis



Buyer, Terex

Prepared by: Mike Johnson

03/27/2021

Watertown Ford | 1600 9th Avenue SE Watertown South Dakota | 572015305

2022 F-550 Chassis 4x4 SD Regular Cab 145" WB DRW XL (F5H)

Price Level: 215 | Quote ID: Spec32

As Configured Vehicle (cont'd)

Code	Description
67A	332 Amp Alternator
52B	Trailer Brake Controller <i>Includes smart trailer tow connector. Verified to be compatible with electronic actuated drum brakes only.</i>
872	Rear View Camera & Prep Kit <i>Pre-installed content includes cab wiring and frame wiring to the rear most cross member. Upfitters kit includes camera with mounting bracket, 20' jumper wire and camera mounting/aiming instructions.</i>

Fleet Options

525_ Steering Wheel-Mounted Cruise Control

Emissions

425 50-State Emissions System

Interior Color

AS_01 Medium Earth Gray

Exterior Color

Z1_01 Oxford White

Prices and content availability as shown are subject to change and should be treated as estimates only. Actual base vehicle, package and option pricing may vary from this estimate because of special local pricing, availability or pricing adjustments not reflected in the dealer's computer system. See salesperson for the most current information.

Prepared for: Mr. Sheldon Seward

Optioned Chassis



Buyer, Terex

Prepared by: Mike Johnson

03/27/2021

Watertown Ford | 1600 9th Avenue SE Watertown South Dakota | 572015305

2022 F-550 Chassis 4x4 SD Regular Cab 145" WB DRW XL (F5H)

Price Level: 215 | Quote ID: Spec32

Warranty

Standard Warranty

Basic

Distance 36,000 miles Months 36 months

Powertrain

Distance 60,000 miles Months 60 months

Corrosion Perforation

Distance Unlimited miles Months 60 months

Roadside Assistance

Distance 60,000 miles Months 60 months

Additional Warranty

Diesel Engine

Distance 100,000 miles Months 60 months

Prices and content availability as shown are subject to change and should be treated as estimates only. Actual base vehicle, package and option pricing may vary from this estimate because of special local pricing, availability or pricing adjustments not reflected in the dealer's computer system. See salesperson for the most current information.

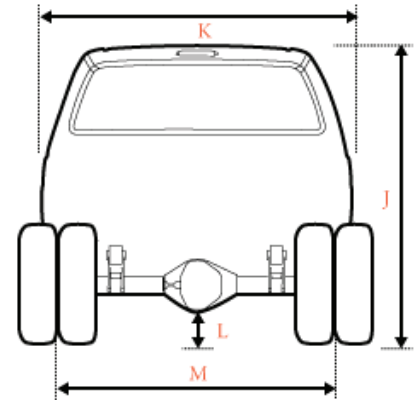
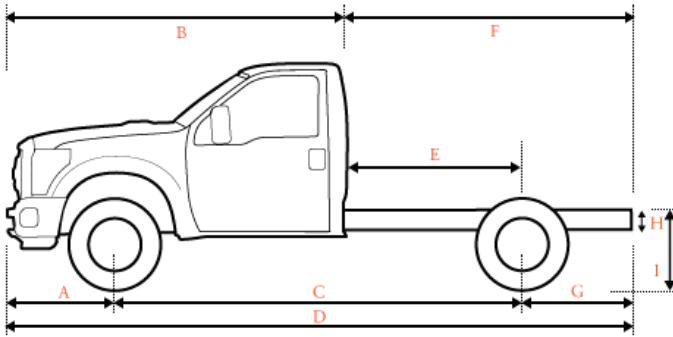


2022 F-550 Chassis 4x4 SD Regular Cab 145" WB DRW XL (F5H)

Price Level: 215 | Quote ID: Spec32

Vehicle Dimension and Performance Summary

Performance predictions in this report represent an estimate of vehicle performance based on standard operating conditions. Variations in customer equipment, load configuration, ambient conditions, and/or operator driving techniques can cause significant variations in vehicle performance. These values are not representative of results that may be shown in actual dynamometer tests. This report should therefore be used as a guide for comparative vehicle performance.



Dimensions

A	Front of Bumper to Front Axle	38.30 in.
B	Front Bumper to Back of Cab (BBC)	123.70 in.
C	Wheelbase (WB)	145.00 in.
D	Overall Length (OAL)	272.90 in.
E	Back of Cab to Rear Axle (CA)	60.00 in.
F	Back of Cab to End of Frame	149.40 in.
G	Rear Axle to End of Frame (AF)	89.40 in.
H	Frame Section Height	N/A
I	Rear Frame Height Unloaded	36.10 in.
I	Rear Frame Height Loaded	28.60 in.
J	Cab Height	81.50 in.
K	Body Width	80.00 in.
L	Maximum Ground Clearance	N/A
L	Minimum Ground Clearance	8.20 in.
M	Front Tread	74.80 in.
M	Rear Tread	74.00 in.

Prices and content availability as shown are subject to change and should be treated as estimates only. Actual base vehicle, package and option pricing may vary from this estimate because of special local pricing, availability or pricing adjustments not reflected in the dealer's computer system. See salesperson for the most current information.



Buyer, Terex

Prepared by: Mike Johnson

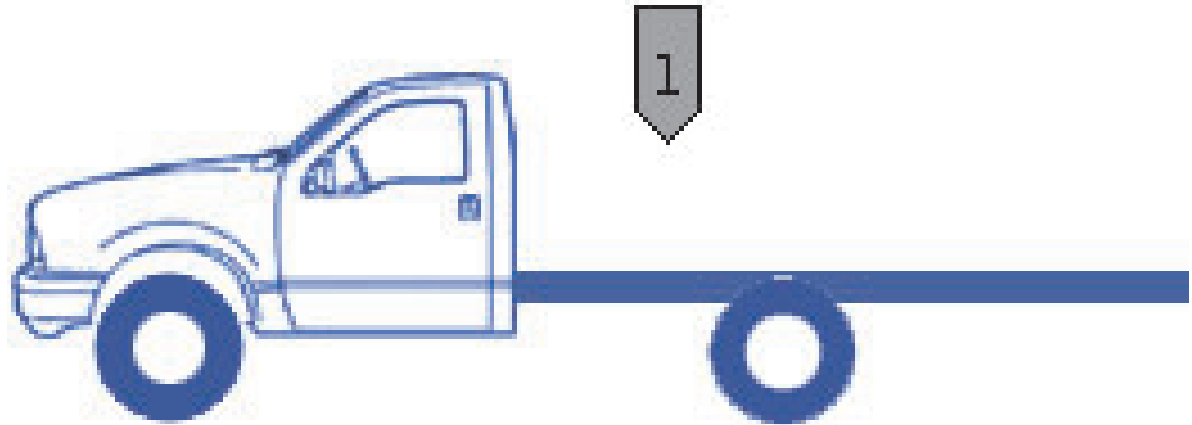
03/27/2021

Watertown Ford | 1600 9th Avenue SE Watertown South Dakota | 572015305

2022 F-550 Chassis 4x4 SD Regular Cab 145" WB DRW XL (F5H)

Price Level: 215 | Quote ID: Spec32

Vehicle Dimension and Performance Summary (cont'd)



Weight

GVW	Front Axle	Rear Axle	Totals
Chassis	4,604 lbs	3,205 lbs	7,809 lbs
Body	0 lbs	0 lbs	0 lbs
Occupants Weight	300 lbs	150 lbs	450 lbs
1 Max Payload - (Max Payload)	2,096 lbs	9,145 lbs	11,241 lbs
TOTAL	7,000 lbs	12,500 lbs	19,500 lbs

Ratings	Front Axle	Rear Axle	GVWR
GAWR	7,000 lbs	14,706 lbs	19,500 lbs
Wheels/Tires	7,500 lbs	15,000 lbs	
Suspension	7,000 lbs	15,000 lbs	
Axle	7,000 lbs	14,706 lbs	
Legal Axle Limit	0 lbs	0 lbs	

Prices and content availability as shown are subject to change and should be treated as estimates only. Actual base vehicle, package and option pricing may vary from this estimate because of special local pricing, availability or pricing adjustments not reflected in the dealer's computer system. See salesperson for the most current information.



Buyer, Terex

Prepared by: Mike Johnson

03/27/2021

Watertown Ford | 1600 9th Avenue SE Watertown South Dakota | 572015305

2022 F-550 Chassis 4x4 SD Regular Cab 145" WB DRW XL (F5H)

Price Level: 215 | Quote ID: Spec32

Vehicle Dimension and Performance Summary (cont'd)

Start, Grade and Speed

Start	Ratio	Desired	Calculated
Start grade capability in 1st gear	4.70	15.00 %	58.37 %
Start grade capability in reverse	4.87	15.00 %	60.49 %
Grade	Ratio	Desired	Calculated
Maximum grade in 8th gear	0.85	3.00 %	10.63 %
Maximum grade in 9th gear	0.69	3.00 %	8.58 %
Maximum grade in 10th gear	0.62	3.00 %	7.67 %
Speed		Desired	Calculated
Top Speed (level grade)		75 mph	97 mph
<i>To meet your requirement you need a maximum axle ratio of 6.28</i>			
Top Speed on 3.0% grade		55 mph	
<i>To meet your requirement you need a maximum of 122 hp</i>			
Cruise Speed		60 mph	71 mph
Engine RPM at desired cruise speed			1,939 rpm

Variables in Use

Rear axle ratio:	4.88/4.88	Governed RPM:	3,120 rpm
Tire size:	225/70R19.5 (645 rev/mile)	Frontal Area:	40.28 Sq.Ft.
Gross Vehicle Weight (GVW):	19,500 lbs	Cruising RPM:	2,300 rpm
Clutch engagement torque:	412 ft.lbs.	Worst road surface:	Typical Highway
Torque conversion ratio:	2.00	Final Drive Ratio:	0.62
Peak engine torque:	825 ft.lbs.	Drag Coefficient:	0.80
Engine Power:	330 hp @ 2,600 rpm		

Prices and content availability as shown are subject to change and should be treated as estimates only. Actual base vehicle, package and option pricing may vary from this estimate because of special local pricing, availability or pricing adjustments not reflected in the dealer's computer system. See salesperson for the most current information.



Buyer, Terex

Prepared by: Mike Johnson

03/27/2021

Watertown Ford | 1600 9th Avenue SE Watertown South Dakota | 572015305

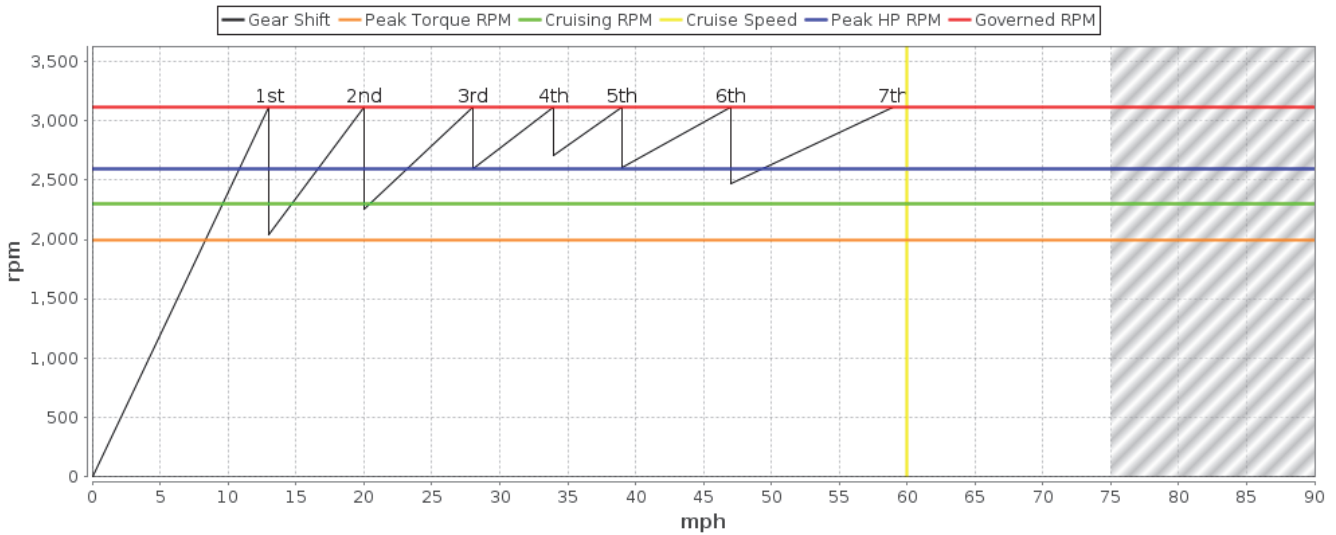
2022 F-550 Chassis 4x4 SD Regular Cab 145" WB DRW XL (F5H)

Price Level: 215 | Quote ID: Spec32

Vehicle Dimension and Performance Summary (cont'd)

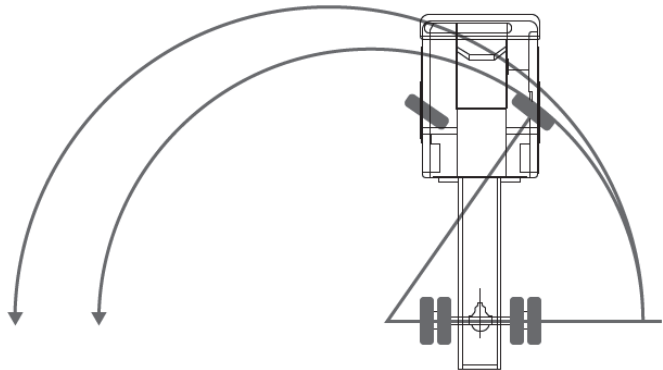
Shift Chart

Shift Chart displays mathematical geared speed.
Diesel engines use Governed RPM for shift points.
Gas engines use Peak Torque RPM for shift points.



Turning Radius

Turning Radius 21.25 ft



Prices and content availability as shown are subject to change and should be treated as estimates only. Actual base vehicle, package and option pricing may vary from this estimate because of special local pricing, availability or pricing adjustments not reflected in the dealer's computer system. See salesperson for the most current information.

Prepared for: Mr. Sheldon Seward

Optioned Chassis



Buyer, Terex

Prepared by: Mike Johnson

03/27/2021

Watertown Ford | 1600 9th Avenue SE Watertown South Dakota | 572015305

2022 F-550 Chassis 4x4 SD Regular Cab 145" WB DRW XL (F5H)

Price Level: 215 | Quote ID: Spec32

Pricing Summary - Single Vehicle

Vehicle Pricing

Base Vehicle Price

Options

Colors

Upfitting

Fleet Discount

Fuel Charge

Destination Charge

Total

Customer Signature

Acceptance Date

Prices and content availability as shown are subject to change and should be treated as estimates only. Actual base vehicle, package and option pricing may vary from this estimate because of special local pricing, availability or pricing adjustments not reflected in the dealer's computer system. See salesperson for the most current information.