

CITY OF CREST HILL
CITY CENTER

Change Order

Date: 3/27/2023
Project: Crest Hill City Center
Contractor: Financial Applications Corp.
Change Order #:

Description: Police Department End Cabinet Panel Filler
* Furnish & Install Clip and Custom Bent Metal Closure to Fill Gaps at End Cabinets.

Note: See Attached RCO / Proposals

Original Contract:	\$ 21,512.00
Previous Change Orders:	\$ <u>-</u>
Contract Total Prior to this CO:	\$ 21,512.00
New Change Order Amount:	\$ 890.00
New Contract Amount:	\$ <u><u>22,402.00</u></u>

Approved:

Administrator Date

Shawn Thompson - Project Manager Date

Sub-Contractor Date

FINANCIAL APPLICATIONS CORP.

Technology Solutions for Financial Institutions

8901 W 192nd St, Ste A, Mokena, IL 60448 P (708) 623-1010 (708) 532-6376

www.finapp.com

03/22/23

Shawn Thompson
Harbour Contractors
23830 W Main St.
Plainfield, IL 60544

RE: 2 Spring Clips & Filler Panels for Crest Hill PD

Dear Mr. Thompson:

Financial Applications Corp is pleased to offer the following quote for 2 filler panels with clips(one for each end of the row of cabinets). Please see attached drawing.

Cost for the above, \$ 890.00

Submitted:

Accepted:

Financial Applications Corp.

Harbour Contractors, Inc.

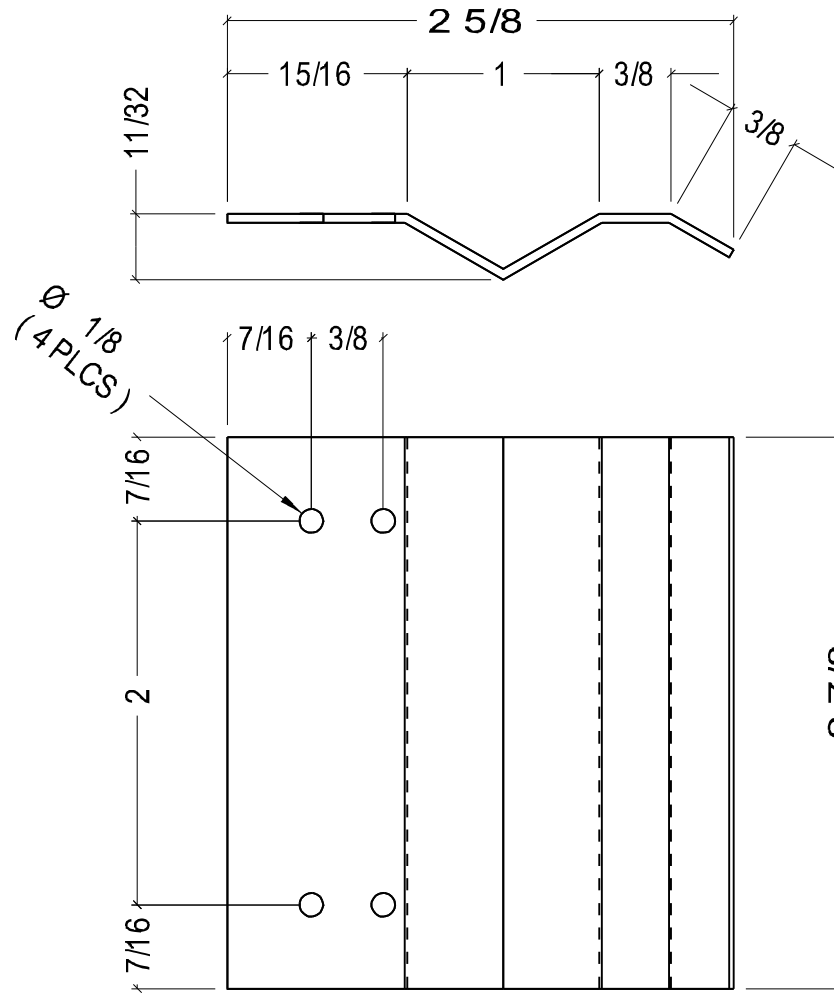
Date _____

Date _____

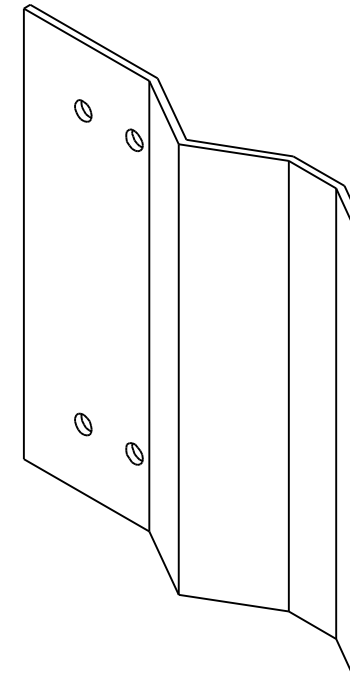
PO # _____

NOTES: Financial Applications Corp offers a one-year guarantee on all workmanship.. Pricing held for (30) days from the date of this proposal. If additional information is required, please call (800) 244-6338.

PART NO:	TITLE: SPRING CLIP	USED BY:	SCALE:	ORDER NO. -	PACKAGE SHEET: OF
SHEET: OF		DATE:	DRN BY: Bolton T. DATE: 01/03/03	CUSTOMER: LAB DESIGN	



SPRING CLIP



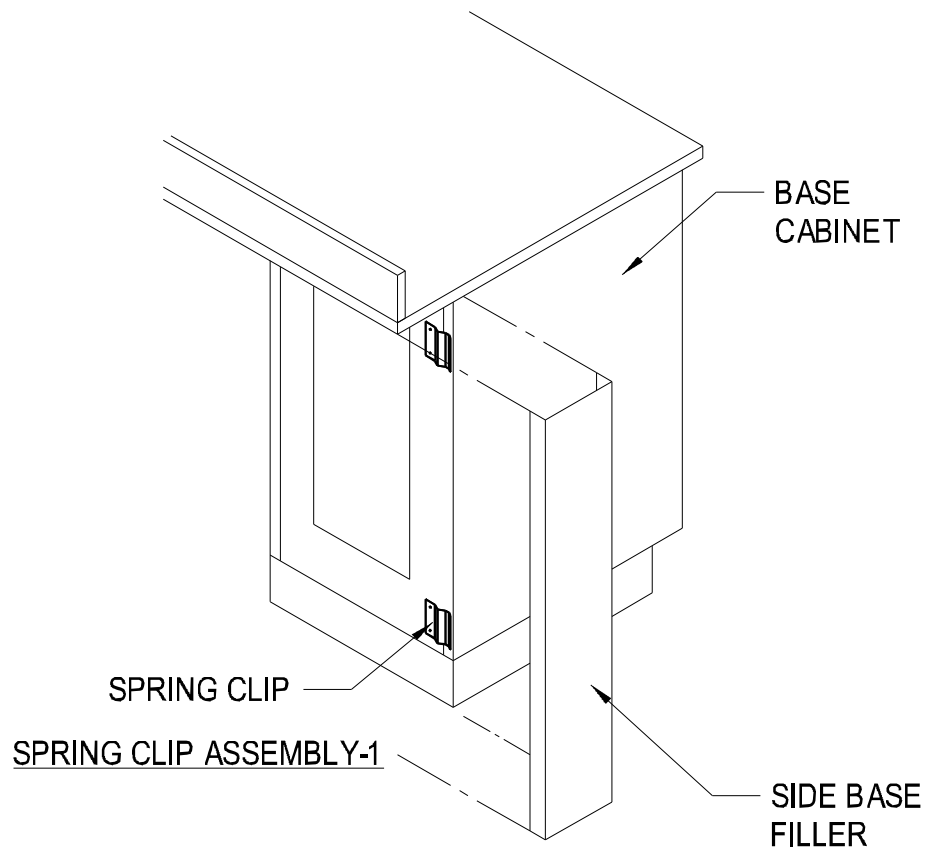
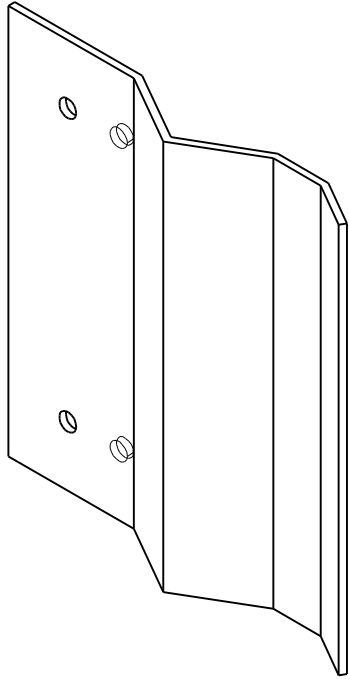
- NO PAINT
- STOCK ITEM

BLANK: 2-7/8" x 2-13/16" x 18 GA

Last Update: 01/03/2003 by Bolton T..

 **UNITED HOSPITAL SUPPLY CORP.**
P.O. BOX 1238 BURLINGTON, NJ 08016-0516

SPRING CLIP



SPRING CLIPS ARE USED TO INSTALL ALL TYPES OF FILLER AND KNEE SPACE PANEL ETC.. IT IS FASTENED TO CABINET AT REQUIRED LOCATION AS PER APPLICATION

