



**RESCUE TRANSPORT PROPOSAL**

Date: July 21, 2022

**City of Cooper City  
9090 SW 50<sup>th</sup> Place  
Cooper City, FL 33328-4227**

We propose to furnish to you one (1) 2023 Custom Road Rescue Type 1, Rescue Transport Vehicle on a 2023 Freightliner M2 Chassis. To be custom built and equipped in accordance with the requirements of the City of Cooper City and the Florida Sheriff Association Contract FSA 20-VEF14.01 Bid # 268 Type 1 Ambulance -Medium Duty 4 x2 Freightliner Chassis

Delivery will be F.O.B. Plantation, FL approximately 19-22 months after receipt of order. Payment shall be within 30 days (net 30).

FSA20-VEF14.01 Ambulance Type 1 4x2 Medium Duty Diesel	\$	304,012.00
Safety Options and Upgrades to the Patient Module	\$	88,169.93
Equipment & Labor to Install (See Attached Worksheet)	\$	44,123.00
Performance Bond	\$	1,744.00
<b>Total Price:</b>	<b>\$</b>	<b>438,048.93</b>

This proposal shall expire August 30, 2022 unless extended in writing.

*Mark E. Smith*

Mark Smith – Account Manager  
725 SW 46<sup>th</sup> AVE, Ocala, FL 34474 (352) 816-7149

*7/21/22*

Date

*Dee Daniels*

Dee Daniels – Director of Sales  
725 SW 46<sup>th</sup> AVE, Ocala, FL 34474 (352) 629-6305

*7-21-22*

Date



725 SW 46th Avenue  
 Ocala, Florida 34474  
 Office: 352-629-6305  
 Fax: 352-629-2018

**Equipment Proposal**

**Customer: COOPER CITY AMBULANCE Equipment - 2022**

**Contact Mark Smith**

**Last Updated: February 22, 2022**

<u>Item</u>	<u>Part #</u>	<u>Vendor</u>	<u>Qty.</u>	<u>Um</u>	<u>Selling Price</u> <u>Each</u>	<u>Extended</u> <u>Selling Price</u>
POWER PRO 2 AMBULANCE COT BSO SPECS	650705550001	STRYKER	1	EA	\$ 34,469.23	\$ 34,469.25
STAIR-PRO STAIR CHAIR w/ DUAL LOCKING HANDLES BSO SPECS	6252000000	STRYKER	1	EA	\$ 4,778.99	\$ 4,778.97
FIRECOM DIGITAL INTERCOM 2- RADIO	5200D	FIRECOM	1	EA	\$ 1,408.31	\$ 1,408.31
MODULE, HEADSET HM-10	107-0407-10	FIRECOM	4	EA	\$ 70.69	\$ 282.76
HEADSET HANGER HOOK	520-0676-00	FIRECOM	4	EA	\$ 6.47	\$ 25.88
150 FT ROLL CABLE	108-0102-00	FIRECOM	1	EA	\$ 32.63	\$ 32.63
HEADSET P-T-T OVERHEAD MODEL	FH51	FIRECOM	2	EA	\$ 353.44	\$ 706.88
WIRED HEADSET OVER HEAD 1 SIDED RADIO TRANSMIT	FH51S	FIRECOM	2	EA	\$ 353.44	\$ 706.90
INTERFACE MOT. XTL5000 4' CABLE MR-52X	110-5136-30	FIRECOM	1	EA	\$ 212.06	\$ 212.06
<b>FREIGHT</b>						<b>\$ 1,500.00</b>
						<b>\$ 44,123.64</b>



*Protecting, Leading & Uniting...since 1893*

# FLORIDA SHERIFFS ASSOCIATION

2617 Mahan Drive, Tallahassee, Florida 32308  
P.O. Box 12519 • Tallahassee, Florida 32317-2519

p: (850) 877-2165  
f: (850) 878-8665  
[www.flsheriffs.org](http://www.flsheriffs.org)  

Date: May 1, 2020

To: All Perspective Participants

From: Craig Chown, Manager, FSA Cooperative Purchasing Program

Re: Contract Number FSA20-VEF14.01 Ambulances & Other Equipment

We are pleased to announce that the Florida Sheriffs Association has successfully completed its 14th nationwide cooperative bid for ambulances and other equipment. This contract is in effect beginning May 1, 2020 through March 31, 2023. This year's contract award includes 6 specification group categories and a total of 228 makes and models. It offers a variety of Type 1, Type 2, and Type 3 ambulances. The competitive process for this award began in November 2019, when stakeholders were surveyed regarding procurement needs. Specifications were developed based on prior year activity and new additions were added based on survey results and the Fleet Advisory Committee's review of commodities. On August 12, 2019, a direct notification was sent to prospective bidders to register for qualification to participate in the bid process. An advertisement of the Invitation to Bid was placed within the Florida Administrative Weekly and on the FSA website on October 15, 2019. From this ITB, 10 bidders responded to the pre-bid meeting registration. Of these respondents, 10 submitted bids and 7 qualified, responsive bidders were awarded after a review by FSA and the FSA Fleet Advisory Committee. The Florida Sheriffs Association Cooperative Purchasing Program has followed the Contract Terms and Conditions to procure this contract. Contract prices are extended and guaranteed to any local government or political subdivision of the state, public educational institutions, other public agencies or authorities with the State of Florida, and entities approved by the manufacturer to participate in this contract. Out of state sales are permitted under this contract. All purchasers are bound by their local governing purchasing ordinances, rules and regulations. All awarded vendors are governed by their manufacturer agreements and the Contract Terms and Conditions. List of awarded vendors for FSA20-VEF14.01 Ambulances & Other Equipment:

1. ETR, LLC
2. Excellence
3. FR Conversions
4. Quality Emergency Vehicles
5. REV RTC
6. South Florida Emergency Vehicles
7. Ten-8 Fire Equipment, Inc.

FSA20-VEF14.01, Ambulances & Other Equipment

**Group:** Ambulance Type 1 - 4x2 Medium Duty Diesel Engine

**Item:** 226, ETR Freightliner, M2 Diesel / Modular Box 172`x95`x68`

**Description:** Specification 3: Refer to FSA specification descriptions

Rank	Vendor	Price	Percent
Primary	ETR, L.L.C.	\$191,116.00	0.00%

FSA20-VEF14.01, Ambulances & Other Equipment

**Group:** Ambulance Type 1 - 4x2 Medium Duty Diesel Engine

**Item:** 227, ETR Kenworth, T 270 Diesel / Modular Box 172``x95``x68``

**Description:** Specification 3: Refer to FSA specification descriptions

Rank	Vendor	Price	Percent
Primary	ETR, L.L.C.	\$192,108.00	0.00%

FSA20-VEF14.01, Ambulances & Other Equipment

**Group:** Ambulance Type 1 - 4x2 Medium Duty Diesel Engine

**Item:** 228, ETR International, CV 515 Diesel / Modular Box 172``x95``x68``

**Description:** Specification 3: Refer to FSA specification descriptions

<b>Rank</b>	<b>Vendor</b>	<b>Price</b>	<b>Percent</b>
Primary	ETR, L.L.C.	\$175,010.00	0.00%

FSA20-VEF14.01, Ambulances & Other Equipment

**Group:** Ambulance Type 1 - 4x2 Medium Duty Diesel Engine

**Item:** 229, ETR International, MV 607 Diesel / Modular Box 172``x95``x68``

**Description:** Specification 3: Refer to FSA specification descriptions

Rank	Vendor	Price	Percent
Primary	ETR, L.L.C.	\$190,501.00	0.00%

FSA20-VEF14.01, Ambulances & Other Equipment

**Group:** Ambulance Type 1 - 4x2 Medium Duty Diesel Engine

**Item:** 230, ETR Ford, Ford F-650 Diesel / Modular Box 172``x95``x68``

**Description:** Specification 3: Refer to FSA specification descriptions

Rank	Vendor	Price	Percent
Primary	ETR, L.L.C.	\$203,808.00	0.00%



FSA20-VEF14.01, Ambulances & Other Equipment

**Group:** Ambulance Type 1 - 4x2 Medium Duty Diesel Engine

**Item:** 231, ETR Chevrolet, Chevrolet 6500 HD Diesel / Modular Box 172``x95``x68``

**Description:** Specification 3: Refer to FSA specification descriptions

<b>Rank</b>	<b>Vendor</b>	<b>Price</b>	<b>Percent</b>
Primary	ETR, L.L.C.	\$176,085.00	0.00%

FSA20-VEF14.01, Ambulances & Other Equipment

**Group:** Ambulance Type 1 - 4x2 Medium Duty Diesel Engine

**Item:** 232, ETR Freightliner, Freightliner M2 Diesel / Modular Box 172``x95``x68``

**Description:** Specification 3: Refer to FSA specification descriptions

Rank	Vendor	Price	Percent
Primary	ETR, L.L.C.	\$191,116.00	0.00%

FSA20-VEF14.01, Ambulances & Other Equipment

**Group:** Ambulance Type 1 - 4x2 Medium Duty Diesel Engine

**Item:** 233, ETR Kenworth, Kenworth T 270 Diesel / Modular Box 172``x95``x68``

**Description:** Specification 3: Refer to FSA specification descriptions

<b>Rank</b>	<b>Vendor</b>	<b>Price</b>	<b>Percent</b>
Primary	ETR, L.L.C.	\$192,108.00	0.00%

FSA20-VEF14.01, Ambulances & Other Equipment

**Group:** Ambulance Type 1 - 4x2 Medium Duty Diesel Engine

**Item:** 234, ETR International, International CV 515 Diesel / Modular Box 172``x95``x68``

**Description:** Specification 3: Refer to FSA specification descriptions

Rank	Vendor	Price	Percent
Primary	ETR, L.L.C.	\$175,010.00	0.00%

FSA20-VEF14.01, Ambulances & Other Equipment

**Group:** Ambulance Type 1 - 4x2 Medium Duty Diesel Engine

**Item:** 235, ETR International, International MV 607 Diesel / Modular Box 172``x95``x68``

**Description:** Specification 3: Refer to FSA specification descriptions

<b>Rank</b>	<b>Vendor</b>	<b>Price</b>	<b>Percent</b>
Primary	ETR, L.L.C.	\$190,501.00	0.00%

FSA20-VEF14.01, Ambulances & Other Equipment

**Group:** Ambulance Type 1 - 4x2 Medium Duty Diesel Engine

**Item:** 236, ETR Ford, Ford F-650 Diesel / Modular Box 172``x95``x68``

**Description:** Specification 3: Refer to FSA specification descriptions

<b>Rank</b>	<b>Vendor</b>	<b>Price</b>	<b>Percent</b>
Primary	ETR, L.L.C.	\$203,808.00	0.00%

FSA20-VEF14.01, Ambulances & Other Equipment

**Group:** Ambulance Type 1 - 4x2 Medium Duty Diesel Engine

**Item:** 237, ETR Chevrolet, Chevrolet 6500 HD Diesel / Modular Box 172``x95``x68``

**Description:** Specification 3: Refer to FSA specification descriptions

Rank	Vendor	Price	Percent
Primary	ETR, L.L.C.	\$176,085.00	0.00%

FSA20-VEF14.01, Ambulances & Other Equipment

**Group:** Ambulance Type 1 - 4x2 Medium Duty Diesel Engine

**Item:** 238, Excellance , Dodge 5500 / Modular Box 96``x172``x72``

**Description:** Specification 3: Refer to FSA specification descriptions

Rank	Vendor	Price	Percent
Primary	Excellance, Inc	\$193,795.00	0.00%



FSA20-VEF14.01, Ambulances & Other Equipment

**Group:** Ambulance Type 1 - 4x2 Medium Duty Diesel Engine

**Item:** 239, Excellance , Ford F-550 / Modular Box 96``x172``x72``

**Description:** Specification 3: Refer to FSA specification descriptions

<b>Rank</b>	<b>Vendor</b>	<b>Price</b>	<b>Percent</b>
Primary	Excellance, Inc	\$199,339.00	0.00%

FSA20-VEF14.01, Ambulances & Other Equipment

**Group:** Ambulance Type 1 - 4x2 Medium Duty Diesel Engine

**Item:** 240, Excellance , Ford F-550 / Modular Box 96``x172``x72``

**Description:** Specification 3: Refer to FSA specification descriptions

Rank	Vendor	Price	Percent
------	--------	-------	---------

FSA20-VEF14.01, Ambulances & Other Equipment

**Group:** Ambulance Type 1 - 4x2 Medium Duty Diesel Engine

**Item:** 241, Excellence , Chevrolet Siverado 5500 / Modular Box 96``x172``x72``

**Description:** Specification 3: Refer to FSA specification descriptions

<b>Rank</b>	<b>Vendor</b>	<b>Price</b>	<b>Percent</b>
Primary	Excellance, Inc	\$203,544.00	0.00%

FSA20-VEF14.01, Ambulances & Other Equipment

**Group:** Ambulance Type 1 - 4x2 Medium Duty Diesel Engine

**Item:** 242, Excellance , Freightliner M2 / Modular Box 96``x166``x72``

**Description:** Specification 3: Refer to FSA specification descriptions

Rank	Vendor	Price	Percent
Primary	Excellance, Inc	\$209,841.00	0.00%

FSA20-VEF14.01, Ambulances & Other Equipment

**Group:** Ambulance Type 1 - 4x2 Medium Duty Diesel Engine

**Item:** 243, Excellance , International MV / Modular Box 96``x166``x72``

**Description:** Specification 3: Refer to FSA specification descriptions

Rank	Vendor	Price	Percent
Primary	Excellance, Inc	\$218,051.00	0.00%

FSA20-VEF14.01, Ambulances & Other Equipment

**Group:** Ambulance Type 1 - 4x2 Medium Duty Diesel Engine

**Item:** 244, Frazer, Chevrolet C4500 / Modular Box 144.625``x90.25``x96.25``

**Description:** Specification 3: Refer to FSA specification descriptions

Rank	Vendor	Price	Percent
Primary	Frazer, Ltd.	\$196,625.00	0.00%

FSA20-VEF14.01, Ambulances & Other Equipment

**Group:** Ambulance Type 1 - 4x2 Medium Duty Diesel Engine

**Item:** 245, Frazer, Chevrolet C4500 / Modular Box 168.625``x90.25``x96.25``

**Description:** Specification 3: Refer to FSA specification descriptions

Rank	Vendor	Price	Percent
Primary	Frazer, Ltd.	\$207,425.00	0.00%

FSA20-VEF14.01, Ambulances & Other Equipment

**Group:** Ambulance Type 1 - 4x2 Medium Duty Diesel Engine

**Item:** 246, Frazer, Dodge Ram 4500 / Modular Box 144.625``x90.25``x96.25``

**Description:** Specification 3: Refer to FSA specification descriptions

Rank	Vendor	Price	Percent
Primary	Frazer, Ltd.	\$190,525.00	0.00%



FSA20-VEF14.01, Ambulances & Other Equipment

**Group:** Ambulance Type 1 - 4x2 Medium Duty Diesel Engine

**Item:** 247, Frazer, Dodge Ram 4500 / Modular Box 168.625``x90.25``x96.25``

**Description:** Specification 3: Refer to FSA specification descriptions

Rank	Vendor	Price	Percent
Primary	Frazer, Ltd.	\$200,825.00	0.00%

FSA20-VEF14.01, Ambulances & Other Equipment

**Group:** Ambulance Type 1 - 4x2 Medium Duty Diesel Engine

**Item:** 248, Frazer, Dodge Ram 5500 / Modular Box 168.625``x90.25``x96.25``

**Description:** Specification 3: Refer to FSA specification descriptions

Rank	Vendor	Price	Percent
Primary	Frazer, Ltd.	\$201,925.00	0.00%

FSA20-VEF14.01, Ambulances & Other Equipment

**Group:** Ambulance Type 1 - 4x2 Medium Duty Diesel Engine

**Item:** 249, Frazer, Ford F-450 / Modular Box 144.625``x90.25``x96.25``

**Description:** Specification 3: Refer to FSA specification descriptions

Rank	Vendor	Price	Percent
Primary	Frazer, Ltd.	\$193,650.00	0.00%

FSA20-VEF14.01, Ambulances & Other Equipment

**Group:** Ambulance Type 1 - 4x2 Medium Duty Diesel Engine

**Item:** 250, Frazer, Ford F-450 / Modular Box 168.625``x90.25``x96.25``

**Description:** Specification 3: Refer to FSA specification descriptions

Rank	Vendor	Price	Percent
Primary	Frazer, Ltd.	\$203,950.00	0.00%

FSA20-VEF14.01, Ambulances & Other Equipment

**Group:** Ambulance Type 1 - 4x2 Medium Duty Diesel Engine

**Item:** 251, Frazer, Ford F-550 / Modular Box 168.625``x90.25``x96.25``

**Description:** Specification 3: Refer to FSA specification descriptions

Rank	Vendor	Price	Percent
Primary	Frazer, Ltd.	\$204,950.00	0.00%

FSA20-VEF14.01, Ambulances & Other Equipment

**Group:** Ambulance Type 1 - 4x2 Medium Duty Diesel Engine

**Item:** 252, Frazer, International MV / Modular Box 168.625``x90.25``x96.25``

**Description:** Specification 3: Refer to FSA specification descriptions

Rank	Vendor	Price	Percent
Primary	Frazer, Ltd.	\$225,000.00	0.00%

FSA20-VEF14.01, Ambulances & Other Equipment

**Group:** Ambulance Type 1 - 4x2 Medium Duty Diesel Engine

**Item:** 253, Frazer, Freightliner M2 / Modular Box 168.625``x90.25``x96.25``

**Description:** Specification 3: Refer to FSA specification descriptions

Rank	Vendor	Price	Percent
Primary	Frazer, Ltd.	\$222,300.00	0.00%

FSA20-VEF14.01, Ambulances & Other Equipment

**Group:** Ambulance Type 1 - 4x2 Medium Duty Diesel Engine

**Item:** 254, Life Line Ambulance, Ford F-650 / Modular Box 171`x96`x72` HR

**Description:** Specification 3: Refer to FSA specification descriptions

Rank	Vendor	Price	Percent
Primary	Quality Emergency Vehichles	\$210,837.00	0.00%



FSA20-VEF14.01, Ambulances & Other Equipment

**Group:** Ambulance Type 1 - 4x2 Medium Duty Diesel Engine

**Item:** 255, Life Line Ambulance, Freightliner M2 / Modular Box 171``x96``x72`` HR

**Description:** Specification 3: Refer to FSA specification descriptions

Rank	Vendor	Price	Percent
Primary	Quality Emergency Vehichles	\$239,226.00	0.00%

FSA20-VEF14.01, Ambulances & Other Equipment

**Group:** Ambulance Type 1 - 4x2 Medium Duty Diesel Engine

**Item:** 256, Life Line Ambulance, International 4300 / Modular Box 171``x96``x72`` HR

**Description:** Specification 3: Refer to FSA specification descriptions

<b>Rank</b>	<b>Vendor</b>	<b>Price</b>	<b>Percent</b>
Primary	Quality Emergency Vehichles	\$232,191.00	0.00%

FSA20-VEF14.01, Ambulances & Other Equipment

**Group:** Ambulance Type 1 - 4x2 Medium Duty Diesel Engine

**Item:** 257, Life Line Ambulance, International 4400 / Modular Box 171``x96``x72`` HR

**Description:** Specification 3: Refer to FSA specification descriptions

Rank	Vendor	Price	Percent
Primary	Quality Emergency Vehichles	\$234,151.00	0.00%

FSA20-VEF14.01, Ambulances & Other Equipment

**Group:** Ambulance Type 1 - 4x2 Medium Duty Diesel Engine

**Item:** 258, Life Line Ambulance, Chevrolet C4500 / Modular Box 171``x96``x72`` HR

**Description:** Specification 3: Refer to FSA specification descriptions

Rank	Vendor	Price	Percent
Primary	Quality Emergency Vehichles	\$221,145.00	0.00%

FSA20-VEF14.01, Ambulances & Other Equipment

**Group:** Ambulance Type 1 - 4x2 Medium Duty Diesel Engine

**Item:** 259, Life Line Ambulance, Chevrolet C5500 / Modular Box 171``x96``x72`` HR

**Description:** Specification 3: Refer to FSA specification descriptions

<b>Rank</b>	<b>Vendor</b>	<b>Price</b>	<b>Percent</b>
Primary	Quality Emergency Vehichles	\$221,645.00	0.00%

FSA20-VEF14.01, Ambulances & Other Equipment

**Group:** Ambulance Type 1 - 4x2 Medium Duty Diesel Engine

**Item:** 260, Life Line Ambulance, International MV / Modular Box 171``x96``x72`` HR

**Description:** Specification 3: Refer to FSA specification descriptions

Rank	Vendor	Price	Percent
Primary	Quality Emergency Vehichles	\$222,145.00	0.00%

FSA20-VEF14.01, Ambulances & Other Equipment

**Group:** Ambulance Type 1 - 4x2 Medium Duty Diesel Engine

**Item:** 261, Horton, Ford F-650 / Modular Box 173``x96.25``x72``

**Description:** Specification 3: Refer to FSA specification descriptions

Rank	Vendor	Price	Percent
Primary	REV RTC	\$228,403.86	0.00%

FSA20-VEF14.01, Ambulances & Other Equipment

**Group:** Ambulance Type 1 - 4x2 Medium Duty Diesel Engine

**Item:** 262, Horton, Freightliner M2 / Modular Box 173``x96.25``x72``

**Description:** Specification 3: Refer to FSA specification descriptions

Rank	Vendor	Price	Percent
Primary	REV RTC	\$216,156.94	0.00%



FSA20-VEF14.01, Ambulances & Other Equipment

**Group:** Ambulance Type 1 - 4x2 Medium Duty Diesel Engine

**Item:** 263, Horton, International MV607LP / Modular Box 173``x96.25``x72``

**Description:** Specification 3: Refer to FSA specification descriptions

Rank	Vendor	Price	Percent
Primary	REV RTC	\$217,180.41	0.00%

FSA20-VEF14.01, Ambulances & Other Equipment

**Group:** Ambulance Type 1 - 4x2 Medium Duty Diesel Engine

**Item:** 264, Horton, Sparan Metro Star RT / Modular Box 173``x96.25``x72``

**Description:** Specification 3: Refer to FSA specification descriptions

Rank	Vendor	Price	Percent
Primary	REV RTC	\$393,801.81	0.00%

FSA20-VEF14.01, Ambulances & Other Equipment

**Group:** Ambulance Type 1 - 4x2 Medium Duty Diesel Engine

**Item:** 265, Horton, Kenworth T300 / Modular Box 173``x96.25``x72``

**Description:** Specification 3: Refer to FSA specification descriptions

Rank	Vendor	Price	Percent
Primary	REV RTC	\$224,320.06	0.00%

FSA20-VEF14.01, Ambulances & Other Equipment

**Group:** Ambulance Type 1 - 4x2 Medium Duty Diesel Engine

**Item:** 266, Road Rescue, Chevrolet 5500 HD / Modular Box 168``x96``x72``

**Description:** Specification 3: Refer to FSA specification descriptions

Rank	Vendor	Price	Percent
Primary	REV RTC	\$206,063.98	0.00%

FSA20-VEF14.01, Ambulances & Other Equipment

**Group:** Ambulance Type 1 - 4x2 Medium Duty Diesel Engine

**Item:** 267, Road Rescue, Chevrolet 5500 HD / Modular Box 170`x95`x72`

**Description:** Specification 3: Refer to FSA specification descriptions

Rank	Vendor	Price	Percent
Primary	REV RTC	\$180,767.14	0.00%

FSA20-VEF14.01, Ambulances & Other Equipment

**Group:** Ambulance Type 1 - 4x2 Medium Duty Diesel Engine

**Item:** 268, Road Rescue, Freightliner M2 / Modular Box 168``x96``x72``

**Description:** Specification 3: Refer to FSA specification descriptions

Rank	Vendor	Price	Percent
Primary	REV RTC	\$216,247.17	0.00%

FSA20-VEF14.01, Ambulances & Other Equipment

**Group:** Ambulance Type 1 - 4x2 Medium Duty Diesel Engine

**Item:** 269, Road Rescue, Freightliner M2 / Modular Box 170``x95``x72``

**Description:** Specification 3: Refer to FSA specification descriptions

Rank	Vendor	Price	Percent
Primary	REV RTC	\$192,215.45	0.00%

FSA20-VEF14.01, Ambulances & Other Equipment

**Group:** Ambulance Type 1 - 4x2 Medium Duty Diesel Engine

**Item:** 270, Road Rescue, International CV / Modular Box 168``x96``x72``

**Description:** Specification 3: Refer to FSA specification descriptions

<b>Rank</b>	<b>Vendor</b>	<b>Price</b>	<b>Percent</b>
Primary	REV RTC	\$207,216.57	0.00%



FSA20-VEF14.01, Ambulances & Other Equipment

**Group:** Ambulance Type 1 - 4x2 Medium Duty Diesel Engine

**Item:** 271, Road Rescue, International CV / Modular Box 170``x95``x72``

**Description:** Specification 3: Refer to FSA specification descriptions

Rank	Vendor	Price	Percent
Primary	REV RTC	\$181,979.00	0.00%

FSA20-VEF14.01, Ambulances & Other Equipment

**Group:** Ambulance Type 1 - 4x2 Medium Duty Diesel Engine

**Item:** 272, Road Rescue, International MV / Modular Box 168``x96``x72``

**Description:** Specification 3: Refer to FSA specification descriptions

Rank	Vendor	Price	Percent
Primary	REV RTC	\$215,109.88	0.00%

FSA20-VEF14.01, Ambulances & Other Equipment

**Group:** Ambulance Type 1 - 4x2 Medium Duty Diesel Engine

**Item:** 273, Road Rescue, International MV / Modular Box 170`x95`x72`

**Description:** Specification 3: Refer to FSA specification descriptions

Rank	Vendor	Price	Percent
Primary	REV RTC	\$191,667.01	0.00%

FSA20-VEF14.01, Ambulances & Other Equipment

**Group:** Ambulance Type 1 - 4x2 Medium Duty Diesel Engine

**Item:** 274, Wheeled Coach, Ford F-650 / Modular Box 160``x95``x72``

**Description:** Specification 3: Refer to FSA specification descriptions

Rank	Vendor	Price	Percent
Primary	REV RTC	\$179,480.18	0.00%

FSA20-VEF14.01, Ambulances & Other Equipment

**Group:** Ambulance Type 1 - 4x2 Medium Duty Diesel Engine

**Item:** 275, Wheeled Coach, Ford F-650 / Modular Box 170``x95``x72``

**Description:** Specification 3: Refer to FSA specification descriptions

Rank	Vendor	Price	Percent
Primary	REV RTC	\$180,270.05	0.00%

FSA20-VEF14.01, Ambulances & Other Equipment

**Group:** Ambulance Type 1 - 4x2 Medium Duty Diesel Engine

**Item:** 276, Wheeled Coach, Freightliner / Modular Box 160``x95``x72``

**Description:** Specification 3: Refer to FSA specification descriptions

Rank	Vendor	Price	Percent
Primary	REV RTC	\$190,260.97	0.00%

FSA20-VEF14.01, Ambulances & Other Equipment

**Group:** Ambulance Type 1 - 4x2 Medium Duty Diesel Engine

**Item:** 277, Wheeled Coach, Freightliner / Modular Box 170``x95``x72``

**Description:** Specification 3: Refer to FSA specification descriptions

Rank	Vendor	Price	Percent
Primary	REV RTC	\$191,050.84	0.00%

FSA20-VEF14.01, Ambulances & Other Equipment

**Group:** Ambulance Type 1 - 4x2 Medium Duty Diesel Engine

**Item:** 278, Wheeled Coach, International / Modular Box 160x95``x72``

**Description:** Specification 3: Refer to FSA specification descriptions

Rank	Vendor	Price	Percent
Primary	REV RTC	\$187,364.75	0.00%



FSA20-VEF14.01, Ambulances & Other Equipment

**Group:** Ambulance Type 1 - 4x2 Medium Duty Diesel Engine

**Item:** 279, Wheeled Coach, International / Modular Box 170``x95``x72``

**Description:** Specification 3: Refer to FSA specification descriptions

Rank	Vendor	Price	Percent
Primary	REV RTC	\$188,134.96	0.00%

FSA20-VEF14.01, Ambulances & Other Equipment

**Group:** Ambulance Type 1 - 4x2 Medium Duty Diesel Engine

**Item:** 280, PL Custom Emergency Vehicles, Freightliner M2 / Modular Box 176``x75`` HR

**Description:** Specification 3: Refer to FSA specification descriptions

Rank	Vendor	Price	Percent
Primary	South Florida Emergency Vehicles LLC.	\$227,897.00	0.00%

FSA20-VEF14.01, Ambulances & Other Equipment

**Group:** Ambulance Type 1 - 4x2 Medium Duty Diesel Engine

**Item:** 281, Braun, Ford F-650 Super Chief / Modular Box 170`` x 96`` x 73`` HR

**Description:** Specification 3: Refer to FSA specification descriptions

<b>Rank</b>	<b>Vendor</b>	<b>Price</b>	<b>Percent</b>
Primary	Ten-8 Fire Equipment, Inc.	\$243,283.00	0.00%

FSA20-VEF14.01, Ambulances & Other Equipment

**Group:** Ambulance Type 1 - 4x2 Medium Duty Diesel Engine

**Item:** 282, Braun, Freightliner M2 Super Chief / Modular Box 170`` x 96`` x 73`` HR

**Description:** Specification 3: Refer to FSA specification descriptions

Rank	Vendor	Price	Percent
Primary	Ten-8 Fire Equipment, Inc.	\$259,265.00	0.00%

FSA20-VEF14.01, Ambulances & Other Equipment

**Group:** Ambulance Type 1 - 4x2 Medium Duty Diesel Engine

**Item:** 283, Braun, International MV Super Chief / Modular Box 170`` x 96`` x 73`` HR

**Description:** Specification 3: Refer to FSA specification descriptions

Rank	Vendor	Price	Percent
Primary	Ten-8 Fire Equipment, Inc.	\$256,472.00	0.00%

FSA20-VEF14.01, Ambulances & Other Equipment

**Group:** Ambulance Type 1 - 4x2 Medium Duty Diesel Engine

**Item:** 284, Braun, International CV Chief XL / Modular Box 169`` x 96`` x 72`` HR

**Description:** Specification 3: Refer to FSA specification descriptions

Rank	Vendor	Price	Percent
Primary	Ten-8 Fire Equipment, Inc.	\$222,239.00	0.00%

FSA20-VEF14.01, Ambulances & Other Equipment

**Group:** Ambulance Type 1 - 4x2 Medium Duty Diesel Engine

**Item:** 285, Braun, Chevrolet CV5500 Chief XL / Modular Box 169`` x 96`` x 72`` HR

**Description:** Specification 3: Refer to FSA specification descriptions

Rank	Vendor	Price	Percent
Primary	Ten-8 Fire Equipment, Inc.	\$222,303.00	0.00%

FSA20-VEF14.01, Ambulances & Other Equipment

**Group:** Ambulance Type 1 - 4x2 Medium Duty Diesel Engine

**Item:** 286, Braun, Chevrolet CV4500 Liberty / Modular Box 156`` x 95`` x 73`` HR

**Description:** Specification 3: Refer to FSA specification descriptions

Rank	Vendor	Price	Percent
Primary	Ten-8 Fire Equipment, Inc.	\$203,427.00	0.00%



FSA20-VEF14.01, Ambulances & Other Equipment

**Group:** Ambulance Type 1 - 4x2 Medium Duty Diesel Engine

**Item:** 287, Demers, Freightliner M2 MXP170 / Modular Box 170`` x 95`` X 72`` HR

**Description:** Specification 3: Refer to FSA specification descriptions

<b>Rank</b>	<b>Vendor</b>	<b>Price</b>	<b>Percent</b>
Primary	Ten-8 Fire Equipment, Inc.	\$213,006.00	0.00%

FSA20-VEF14.01, Ambulances & Other Equipment

**Group:** Ambulance Type 1 - 4x2 Medium Duty Diesel Engine

**Item:** 288, Demers, Chevrolet 4500 MXP150 / Modular Box 150`` x 95`` x 72`` HR

**Description:** Specification 3: Refer to FSA specification descriptions

Rank	Vendor	Price	Percent
------	--------	-------	---------

FSA20-VEF14.01, Ambulances & Other Equipment

**Group:** Ambulance Type 1 - 4x2 Medium Duty Diesel Engine

**Item:** 289, Demers, Chevrolet 4500 MXP170 / Modular Box 170`` x 95`` X 72HR

**Description:** Specification 3: Refer to FSA specification descriptions

Rank	Vendor	Price	Percent
------	--------	-------	---------

FSA20-VEF14.01, Ambulances & Other Equipment

**Group:** Ambulance Type 1 - 4x2 Medium Duty Diesel Engine

**Item:** 290, Demers, Chevrolet 5500 MXP170 / Modular Box 170`` x 95`` X 72HR

**Description:** Specification 3: Refer to FSA specification descriptions

Rank	Vendor	Price	Percent
------	--------	-------	---------

FSA20-VEF14.01, Ambulances & Other Equipment

**Group:** Ambulance Type 1 - 4x2 Medium Duty Diesel Engine

**Item:** 291, Osage, Freightliner M2 Super Warrior / Modular Box 168`` x 96`` x 72`` HR

**Description:** Specification 3: Refer to FSA specification descriptions

Rank	Vendor	Price	Percent
Primary	Ten-8 Fire Equipment, Inc.	\$208,262.00	0.00%

FSA20-VEF14.01, Ambulances & Other Equipment

**Group:** Ambulance Type 1 - 4x2 Medium Duty Diesel Engine

**Item:** 292, Osage, International MV Super Warrior / Modular Box 168`` x 96`` x 72`` HR

**Description:** Specification 3: Refer to FSA specification descriptions

<b>Rank</b>	<b>Vendor</b>	<b>Price</b>	<b>Percent</b>
Primary	Ten-8 Fire Equipment, Inc.	\$206,220.00	0.00%

FSA20-VEF14.01, Ambulances & Other Equipment

**Group:** Ambulance Type 1 - 4x2 Medium Duty Diesel Engine

**Item:** 293, Osage, International CV Super Warrior / Modular Box 168`` x 96`` x 72`` HR

**Description:** Specification 3: Refer to FSA specification descriptions

Rank	Vendor	Price	Percent
Primary	Ten-8 Fire Equipment, Inc.	\$196,219.00	0.00%

FSA20-VEF14.01, Ambulances & Other Equipment

**Group:** Ambulance Type 1 - 4x2 Medium Duty Diesel Engine

**Item:** 294, Osage, Chevrolet CV5500 Super Warrior / Modular Box 172`` x 96`` x 72`` HR

**Description:** Specification 3: Refer to FSA specification descriptions

<b>Rank</b>	<b>Vendor</b>	<b>Price</b>	<b>Percent</b>
Primary	Ten-8 Fire Equipment, Inc.	\$196,219.00	0.00%



FSA20-VEF14.01, Ambulances & Other Equipment

**Group:** Ambulance Type 1 - 4x2 Medium Duty Diesel Engine

**Item:** 295, Osage, Chevrolet CV4500 Super Warrior / Modular Box 172`` x 96`` x 72`` HR

**Description:** Specification 3: Refer to FSA specification descriptions

Rank	Vendor	Price	Percent
------	--------	-------	---------

FSA20-VEF14.01, Ambulances & Other Equipment

**Group:** Ambulance Type 1 - 4x2 Medium Duty Gas Engine

**Item:** 296, Excellance , Dodge 5500 / Modular Box 96``x172``x72``

**Description:** Specification 4: Refer to FSA specification descriptions

<b>Rank</b>	<b>Vendor</b>	<b>Price</b>	<b>Percent</b>
Primary	Excellance, Inc	\$185,215.00	0.00%

FSA20-VEF14.01, Ambulances & Other Equipment

**Group:** Ambulance Type 1 - 4x2 Medium Duty Gas Engine

**Item:** 297, Excellence , Ford F-550 / Modular Box 96``x172``x72``

**Description:** Specification 4: Refer to FSA specification descriptions

<b>Rank</b>	<b>Vendor</b>	<b>Price</b>	<b>Percent</b>
Primary	Excellence, Inc	\$191,042.00	0.00%

FSA20-VEF14.01, Ambulances & Other Equipment

**Group:** Ambulance Type 1 - 4x2 Medium Duty Gas Engine

**Item:** 298, Excellance , Chevrolet Siverado 5500 / Modular Box 96``x172``x72``

**Description:** Specification 4: Refer to FSA specification descriptions

Rank	Vendor	Price	Percent
------	--------	-------	---------

FSA20-VEF14.01, Ambulances & Other Equipment

**Group:** Ambulance Type 1 - 4x2 Medium Duty Gas Engine

**Item:** 299, Frazer, Dodge Ram 4500 Modular Box 144.625`L x 90.25`H x 96.25`W

**Description:** Specification 4: Refer to FSA specification descriptions

Rank	Vendor	Price	Percent
Primary	Frazer, Ltd.	\$180,450.00	0.00%

FSA20-VEF14.01, Ambulances & Other Equipment

**Group:** Ambulance Type 1 - 4x2 Medium Duty Gas Engine

**Item:** 300, Frazer, Dodge Ram 4500 / Modular Box 168.625``x90.25``x96.25``

**Description:** Specification 4: Refer to FSA specification descriptions

Rank	Vendor	Price	Percent
Primary	Frazer, Ltd.	\$190,750.00	0.00%

FSA20-VEF14.01, Ambulances & Other Equipment

**Group:** Ambulance Type 1 - 4x2 Medium Duty Gas Engine

**Item:** 301, Frazer, Dodge Ram 5500 / Modular Box 168.625``x90.25``x96.25``

**Description:** Specification 4: Refer to FSA specification descriptions

Rank	Vendor	Price	Percent
Primary	Frazer, Ltd.	\$192,550.00	0.00%

FSA20-VEF14.01, Ambulances & Other Equipment

**Group:** Ambulance Type 1 - 4x2 Medium Duty Gas Engine

**Item:** 302, Frazer, Ford F-450 / Modular Box 144.625`L x 90.25`H x 96.25`W

**Description:** Specification 4: Refer to FSA specification descriptions

Rank	Vendor	Price	Percent
Primary	Frazer, Ltd.	\$183,575.00	0.00%



FSA20-VEF14.01, Ambulances & Other Equipment

**Group:** Ambulance Type 1 - 4x2 Medium Duty Gas Engine

**Item:** 303, Frazer, Ford F-450 / Modular Box 168.625``x90.25``x96.25``

**Description:** Specification 4: Refer to FSA specification descriptions

Rank	Vendor	Price	Percent
Primary	Frazer, Ltd.	\$194,125.00	0.00%

FSA20-VEF14.01, Ambulances & Other Equipment

**Group:** Ambulance Type 1 - 4x2 Medium Duty Gas Engine

**Item:** 304, Frazer, Ford F-550 / Modular Box 168.625``x90.25``x96.25``

**Description:** Specification 4: Refer to FSA specification descriptions

Rank	Vendor	Price	Percent
Primary	Frazer, Ltd.	\$195,125.00	0.00%

FSA20-VEF14.01, Ambulances & Other Equipment

**Group:** Ambulance Type 1 - 4x2 Medium Duty Gas Engine

**Item:** 305, Life Line Ambulance, Ford F-650 / Modular Box 171`x96`x72` HR

**Description:** Specification 4: Refer to FSA specification descriptions

Rank	Vendor	Price	Percent
------	--------	-------	---------

FSA20-VEF14.01, Ambulances & Other Equipment

**Group:** Ambulance Type 1 - 4x2 Medium Duty Gas Engine

**Item:** 306, Braun, Ford F-650 Super Chief / Modular Box 170`` x 96`` x 73`` HR

**Description:** Specification 4: Refer to FSA specification descriptions

<b>Rank</b>	<b>Vendor</b>	<b>Price</b>	<b>Percent</b>
Primary	Ten-8 Fire Equipment, Inc.	\$243,283.00	0.00%

FSA20-VEF14.01, Ambulances & Other Equipment

**Group:** Ambulance Type 1 - 4x2 Regular Cab Diesel Engine

**Item:** 1, ETR Ford, Ford F-350 / Modular Box 145``x92``x68``

**Description:** Specification 1: Refer to FSA specification descriptions

<b>Rank</b>	<b>Vendor</b>	<b>Price</b>	<b>Percent</b>
Primary	ETR, L.L.C.	\$134,860.00	0.00%

FSA20-VEF14.01, Ambulances & Other Equipment

**Group:** Ambulance Type 1 - 4x2 Regular Cab Diesel Engine

**Item:** 2, ETR Ford, Ford F-350 / Modular Box 148``x95``x68``

**Description:** Specification 1: Refer to FSA specification descriptions

Rank	Vendor	Price	Percent
Primary	ETR, L.L.C.	\$142,375.00	0.00%

FSA20-VEF14.01, Ambulances & Other Equipment

**Group:** Ambulance Type 1 - 4x2 Regular Cab Diesel Engine

**Item:** 3, ETR Ford, Ford F-450 / Modular Box 148``x95``x68``

**Description:** Specification 1: Refer to FSA specification descriptions

Rank	Vendor	Price	Percent
Primary	ETR, L.L.C.	\$159,136.00	0.00%

FSA20-VEF14.01, Ambulances & Other Equipment

**Group:** Ambulance Type 1 - 4x2 Regular Cab Diesel Engine

**Item:** 4, ETR Ford, Ford F-450 / Modular Box 172``x95``x68``

**Description:** Specification 1: Refer to FSA specification descriptions

Rank	Vendor	Price	Percent
Primary	ETR, L.L.C.	\$161,836.00	0.00%



FSA20-VEF14.01, Ambulances & Other Equipment

**Group:** Ambulance Type 1 - 4x2 Regular Cab Diesel Engine

**Item:** 5, ETR Ford, Ford F-550 / Modular Box 172``x95``x68``

**Description:** Specification 1: Refer to FSA specification descriptions

Rank	Vendor	Price	Percent
Primary	ETR, L.L.C.	\$162,932.00	0.00%

FSA20-VEF14.01, Ambulances & Other Equipment

**Group:** Ambulance Type 1 - 4x2 Regular Cab Diesel Engine

**Item:** 6, ETR Ford, Ford F-600 / Modular Box 172``x95``x68``

**Description:** Specification 1: Refer to FSA specification descriptions

Rank	Vendor	Price	Percent
------	--------	-------	---------

FSA20-VEF14.01, Ambulances & Other Equipment

**Group:** Ambulance Type 1 - 4x2 Regular Cab Diesel Engine

**Item:** 7, ETR Chevrolet, Chevrolet 3500 HD / Modular Box 145``x92``x68``

**Description:** Specification 1: Refer to FSA specification descriptions

<b>Rank</b>	<b>Vendor</b>	<b>Price</b>	<b>Percent</b>
Primary	ETR, L.L.C.	\$134,919.00	0.00%

FSA20-VEF14.01, Ambulances & Other Equipment

**Group:** Ambulance Type 1 - 4x2 Regular Cab Diesel Engine

**Item:** 8, ETR Chevrolet, Chevrolet 4500 HD / Modular Box 148``x95``x68``

**Description:** Specification 1: Refer to FSA specification descriptions

<b>Rank</b>	<b>Vendor</b>	<b>Price</b>	<b>Percent</b>
Primary	ETR, L.L.C.	\$169,301.00	0.00%

FSA20-VEF14.01, Ambulances & Other Equipment

**Group:** Ambulance Type 1 - 4x2 Regular Cab Diesel Engine

**Item:** 9, ETR Chevrolet, Chevrolet 5500 HD / Modular Box 172``x95``x68``

**Description:** Specification 1: Refer to FSA specification descriptions

Rank	Vendor	Price	Percent
Primary	ETR, L.L.C.	\$173,884.00	0.00%

FSA20-VEF14.01, Ambulances & Other Equipment

**Group:** Ambulance Type 1 - 4x2 Regular Cab Diesel Engine

**Item:** 10, ETR Dodge, Dodge 3500 / Modular Box 145``x92``x68``

**Description:** Specification 1: Refer to FSA specification descriptions

Rank	Vendor	Price	Percent
Primary	ETR, L.L.C.	\$148,712.00	0.00%

FSA20-VEF14.01, Ambulances & Other Equipment

**Group:** Ambulance Type 1 - 4x2 Regular Cab Diesel Engine

**Item:** 11, ETR Dodge, Dodge 3500 / Modular Box 148``x95``x68``

**Description:** Specification 1: Refer to FSA specification descriptions

Rank	Vendor	Price	Percent
Primary	ETR, L.L.C.	\$155,917.00	0.00%

FSA20-VEF14.01, Ambulances & Other Equipment

**Group:** Ambulance Type 1 - 4x2 Regular Cab Diesel Engine

**Item:** 12, ETR Dodge, Dodge 4500 / Modular Box 148``x95``x68``

**Description:** Specification 1: Refer to FSA specification descriptions

Rank	Vendor	Price	Percent
Primary	ETR, L.L.C.	\$161,213.00	0.00%



FSA20-VEF14.01, Ambulances & Other Equipment

**Group:** Ambulance Type 1 - 4x2 Regular Cab Diesel Engine

**Item:** 13, Excellance , Chevrolet Silverado 4500 / Modular Box 96``x172``x72``

**Description:** Specification 1: Refer to FSA specification descriptions

<b>Rank</b>	<b>Vendor</b>	<b>Price</b>	<b>Percent</b>
Primary	Excellance, Inc	\$202,351.00	0.00%

FSA20-VEF14.01, Ambulances & Other Equipment

**Group:** Ambulance Type 1 - 4x2 Regular Cab Diesel Engine

**Item:** 14, Excellance , Dodge 4500 / Modular Box 96``x146``x72``

**Description:** Specification 1: Refer to FSA specification descriptions

<b>Rank</b>	<b>Vendor</b>	<b>Price</b>	<b>Percent</b>
Primary	Excellance, Inc	\$189,817.00	0.00%

FSA20-VEF14.01, Ambulances & Other Equipment

**Group:** Ambulance Type 1 - 4x2 Regular Cab Diesel Engine

**Item:** 15, Excellance , Ford F-350 / Modular Box 96``x146``x72``

**Description:** Specification 1: Refer to FSA specification descriptions

<b>Rank</b>	<b>Vendor</b>	<b>Price</b>	<b>Percent</b>
Primary	Excellance, Inc	\$193,672.00	0.00%

FSA20-VEF14.01, Ambulances & Other Equipment

**Group:** Ambulance Type 1 - 4x2 Regular Cab Diesel Engine

**Item:** 16, Excellance , Ford F-450 / Modular Box 96``x146``x72``

**Description:** Specification 1: Refer to FSA specification descriptions

Rank	Vendor	Price	Percent
Primary	Excellance, Inc	\$196,377.00	0.00%

FSA20-VEF14.01, Ambulances & Other Equipment

**Group:** Ambulance Type 1 - 4x2 Regular Cab Diesel Engine

**Item:** 17, Excellance , Dodge 4500 / Modular Box 96``x172``x72``

**Description:** Specification 1: Refer to FSA specification descriptions

<b>Rank</b>	<b>Vendor</b>	<b>Price</b>	<b>Percent</b>
Primary	Excellance, Inc	\$192,802.00	0.00%

FSA20-VEF14.01, Ambulances & Other Equipment

**Group:** Ambulance Type 1 - 4x2 Regular Cab Diesel Engine

**Item:** 18, Excellance , Ford F-450 / Modular Box 96``x172``x72``

**Description:** Specification 1: Refer to FSA specification descriptions

<b>Rank</b>	<b>Vendor</b>	<b>Price</b>	<b>Percent</b>
Primary	Excellance, Inc	\$198,325.00	0.00%

FSA20-VEF14.01, Ambulances & Other Equipment

**Group:** Ambulance Type 1 - 4x2 Regular Cab Diesel Engine

**Item:** 19, Frazer, Chevrolet 3500 / Modular Box 144.625``x86.25``x96.25``

**Description:** Specification 1: Refer to FSA specification descriptions

Rank	Vendor	Price	Percent
Primary	Frazer, Ltd.	\$172,900.00	0.00%

FSA20-VEF14.01, Ambulances & Other Equipment

**Group:** Ambulance Type 1 - 4x2 Regular Cab Diesel Engine

**Item:** 20, Frazer, Ford F-350 / Modular Box 144.625``x86.25``x96.25``

**Description:** Specification 1: Refer to FSA specification descriptions

Rank	Vendor	Price	Percent
Primary	Frazer, Ltd.	\$172,150.00	0.00%



FSA20-VEF14.01, Ambulances & Other Equipment

**Group:** Ambulance Type 1 - 4x2 Regular Cab Diesel Engine

**Item:** 21, Frazer, Dodge Ram 3500 / Modular Box 144.625``x86.25``x96.25``

**Description:** Specification 1: Refer to FSA specification descriptions

Rank	Vendor	Price	Percent
Primary	Frazer, Ltd.	\$180,825.00	0.00%

FSA20-VEF14.01, Ambulances & Other Equipment

**Group:** Ambulance Type 1 - 4x2 Regular Cab Diesel Engine

**Item:** 22, Gen-T Ambulance, Ford F-350 GT-147 / Modular Box 147``L x 90``W x 70`` HR

**Description:** Specification 1: Refer to FSA specification descriptions

Rank	Vendor	Price	Percent
------	--------	-------	---------

FSA20-VEF14.01, Ambulances & Other Equipment

**Group:** Ambulance Type 1 - 4x2 Regular Cab Diesel Engine

**Item:** 23, Gen-T Ambulance, Ford F-450 GT-147 / Modular Box 147``L x 90``W x 70`` HR

**Description:** Specification 1: Refer to FSA specification descriptions

Rank	Vendor	Price	Percent
------	--------	-------	---------

FSA20-VEF14.01, Ambulances & Other Equipment

**Group:** Ambulance Type 1 - 4x2 Regular Cab Diesel Engine

**Item:** 24, Gen-T Ambulance, Ford F-550 GT-147 / Modular Box 147``L x 90``W x 70`` HR

**Description:** Specification 1: Refer to FSA specification descriptions

Rank	Vendor	Price	Percent
------	--------	-------	---------

FSA20-VEF14.01, Ambulances & Other Equipment

**Group:** Ambulance Type 1 - 4x2 Regular Cab Diesel Engine

**Item:** 25, Gen-T Ambulance, Dodge Ram 3500 GT-147 / Modular Box 147``L x 90``W x 70`` HR

**Description:** Specification 1: Refer to FSA specification descriptions

Rank	Vendor	Price	Percent
------	--------	-------	---------

FSA20-VEF14.01, Ambulances & Other Equipment

**Group:** Ambulance Type 1 - 4x2 Regular Cab Diesel Engine

**Item:** 26, Gen-T Ambulance, Dodge Ram 4500 GT-147 / Modular Box 147``L x 90``W x 70`` HR

**Description:** Specification 1: Refer to FSA specification descriptions

Rank	Vendor	Price	Percent
------	--------	-------	---------

FSA20-VEF14.01, Ambulances & Other Equipment

**Group:** Ambulance Type 1 - 4x2 Regular Cab Diesel Engine

**Item:** 27, Gen-T Ambulance, Dodge Ram 5500 GT-147 / Modular Box 147``L x 90``W x 70`` HR

**Description:** Specification 1: Refer to FSA specification descriptions

**Rank**

**Vendor**

**Price**

**Percent**

FSA20-VEF14.01, Ambulances & Other Equipment

**Group:** Ambulance Type 1 - 4x2 Regular Cab Diesel Engine

**Item:** 28, Gen-T Ambulance, Chevrolet 3500 GT-147 / Modular Box 147``L x 90``W x 70`` HR

**Description:** Specification 1: Refer to FSA specification descriptions

Rank	Vendor	Price	Percent
------	--------	-------	---------



FSA20-VEF14.01, Ambulances & Other Equipment

**Group:** Ambulance Type 1 - 4x2 Regular Cab Diesel Engine

**Item:** 29, Gen-T Ambulance, Ford F-350 GT-154 / Modular Box 154``L x 94``W x 72`` HR

**Description:** Specification 1: Refer to FSA specification descriptions

Rank	Vendor	Price	Percent
Primary	Gen T, LLC	\$154,747.00	0.00%

FSA20-VEF14.01, Ambulances & Other Equipment

**Group:** Ambulance Type 1 - 4x2 Regular Cab Diesel Engine

**Item:** 30, Gen-T Ambulance, Ford F-450 GT-154 / Modular Box 154``L x 94``W x 72`` HR

**Description:** Specification 1: Refer to FSA specification descriptions

<b>Rank</b>	<b>Vendor</b>	<b>Price</b>	<b>Percent</b>
Primary	Gen T, LLC	\$164,770.00	0.00%

FSA20-VEF14.01, Ambulances & Other Equipment

**Group:** Ambulance Type 1 - 4x2 Regular Cab Diesel Engine

**Item:** 31, Gen-T Ambulance, Ford F-550 GT-154 / Modular Box 154``L x 94``W x 72`` HR

**Description:** Specification 1: Refer to FSA specification descriptions

Rank	Vendor	Price	Percent
------	--------	-------	---------

FSA20-VEF14.01, Ambulances & Other Equipment

**Group:** Ambulance Type 1 - 4x2 Regular Cab Diesel Engine

**Item:** 32, Gen-T Ambulance, Dodge Ram 3500 GT-154 / Modular Box 154``L x 94``W x 72`` HR

**Description:** Specification 1: Refer to FSA specification descriptions

Rank	Vendor	Price	Percent
Primary	Gen T, LLC	\$160,901.00	0.00%

FSA20-VEF14.01, Ambulances & Other Equipment

**Group:** Ambulance Type 1 - 4x2 Regular Cab Diesel Engine

**Item:** 33, Gen-T Ambulance, Dodge Ram 4500 GT-154 / Modular Box 154``L x 94``W x 72`` HR

**Description:** Specification 1: Refer to FSA specification descriptions

Rank	Vendor	Price	Percent
------	--------	-------	---------

FSA20-VEF14.01, Ambulances & Other Equipment

**Group:** Ambulance Type 1 - 4x2 Regular Cab Diesel Engine

**Item:** 34, Gen-T Ambulance, Dodge Ram 5500 GT-154 / Modular Box 154``L x 94``W x 72`` HR

**Description:** Specification 1: Refer to FSA specification descriptions

Rank	Vendor	Price	Percent
------	--------	-------	---------

FSA20-VEF14.01, Ambulances & Other Equipment

**Group:** Ambulance Type 1 - 4x2 Regular Cab Diesel Engine

**Item:** 35, Gen-T Ambulance, Chevrolet 3500 GT-154 / Modular Box 154``L x 94``W x 72`` HR

**Description:** Specification 1: Refer to FSA specification descriptions

Rank	Vendor	Price	Percent
------	--------	-------	---------

FSA20-VEF14.01, Ambulances & Other Equipment

**Group:** Ambulance Type 1 - 4x2 Regular Cab Diesel Engine

**Item:** 36, Gen-T Ambulance, Ford F-450 GT-158 / Modular Box 158``L x 96``W x 72``HR

**Description:** Specification 1: Refer to FSA specification descriptions

Rank	Vendor	Price	Percent
------	--------	-------	---------



FSA20-VEF14.01, Ambulances & Other Equipment

**Group:** Ambulance Type 1 - 4x2 Regular Cab Diesel Engine

**Item:** 37, Gen-T Ambulance, Ford F-550 GT-158 / Modular Box 158``L x 96``W x 72``HR

**Description:** Specification 1: Refer to FSA specification descriptions

Rank	Vendor	Price	Percent
------	--------	-------	---------

FSA20-VEF14.01, Ambulances & Other Equipment

**Group:** Ambulance Type 1 - 4x2 Regular Cab Diesel Engine

**Item:** 38, Gen-T Ambulance, Dodge Ram 4500 GT-158 / Modular Box 158``L x 96``W x 72``HR

**Description:** Specification 1: Refer to FSA specification descriptions

<b>Rank</b>	<b>Vendor</b>	<b>Price</b>	<b>Percent</b>
Primary	Gen T, LLC	\$186,959.00	0.00%

FSA20-VEF14.01, Ambulances & Other Equipment

**Group:** Ambulance Type 1 - 4x2 Regular Cab Diesel Engine

**Item:** 39, Gen-T Ambulance, Dodge Ram 5500 GT-158 / Modular Box 158``L x 96``W x 72``HR

**Description:** Specification 1: Refer to FSA specification descriptions

Rank	Vendor	Price	Percent
Primary	Gen T, LLC	\$192,790.00	0.00%

FSA20-VEF14.01, Ambulances & Other Equipment

**Group:** Ambulance Type 1 - 4x2 Regular Cab Diesel Engine

**Item:** 40, Gen-T Ambulance, Ford F-450 GT-171 / Modular Box 171``L x 96``W x 74``HR

**Description:** Specification 1: Refer to FSA specification descriptions

<b>Rank</b>	<b>Vendor</b>	<b>Price</b>	<b>Percent</b>
Primary	Gen T, LLC	\$191,781.00	0.00%

FSA20-VEF14.01, Ambulances & Other Equipment

**Group:** Ambulance Type 1 - 4x2 Regular Cab Diesel Engine

**Item:** 41, Gen-T Ambulance, Ford F-550 GT-171 / Modular Box 171``L x 96``W x 74``HR

**Description:** Specification 1: Refer to FSA specification descriptions

<b>Rank</b>	<b>Vendor</b>	<b>Price</b>	<b>Percent</b>
Primary	Gen T, LLC	\$192,926.00	0.00%

FSA20-VEF14.01, Ambulances & Other Equipment

**Group:** Ambulance Type 1 - 4x2 Regular Cab Diesel Engine

**Item:** 42, Gen-T Ambulance, Dodge Ram 4500 GT-171 / Modular Box 171``L x 96``W x 74``HR

**Description:** Specification 1: Refer to FSA specification descriptions

Rank	Vendor	Price	Percent
Primary	Gen T, LLC	\$190,964.00	0.00%

FSA20-VEF14.01, Ambulances & Other Equipment

**Group:** Ambulance Type 1 - 4x2 Regular Cab Diesel Engine

**Item:** 43, Gen-T Ambulance, Dodge Ram 5500 GT-171 / Modular Box 171``L x 96``W x 74``HR

**Description:** Specification 1: Refer to FSA specification descriptions

<b>Rank</b>	<b>Vendor</b>	<b>Price</b>	<b>Percent</b>
Primary	Gen T, LLC	\$192,097.00	0.00%

FSA20-VEF14.01, Ambulances & Other Equipment

**Group:** Ambulance Type 1 - 4x2 Regular Cab Diesel Engine

**Item:** 44, Medix, Chevrolet 3500 / Modular Box 146``x90``x68`` HR

**Description:** Specification 1: Refer to FSA specification descriptions

Rank	Vendor	Price	Percent
Primary	Medix Specialty Vehicles, LLC	\$124,977.00	0.00%



FSA20-VEF14.01, Ambulances & Other Equipment

**Group:** Ambulance Type 1 - 4x2 Regular Cab Diesel Engine

**Item:** 45, Medix, Ford F-350 / Modular Box 146``x90``x68`` HR

**Description:** Specification 1: Refer to FSA specification descriptions

<b>Rank</b>	<b>Vendor</b>	<b>Price</b>	<b>Percent</b>
Primary	Medix Specialty Vehicles, LLC	\$131,165.00	0.00%

FSA20-VEF14.01, Ambulances & Other Equipment

**Group:** Ambulance Type 1 - 4x2 Regular Cab Diesel Engine

**Item:** 46, Medix, Ford F-350 / Modular Box 153``x94``x72`` HR

**Description:** Specification 1: Refer to FSA specification descriptions

Rank	Vendor	Price	Percent
Primary	Medix Specialty Vehicles, LLC	\$137,575.00	0.00%

FSA20-VEF14.01, Ambulances & Other Equipment

**Group:** Ambulance Type 1 - 4x2 Regular Cab Diesel Engine

**Item:** 47, Medix, Chevrolet 3500 / Modular Box 153``x94``x72`` HR

**Description:** Specification 1: Refer to FSA specification descriptions

Rank	Vendor	Price	Percent
Primary	Medix Specialty Vehicles, LLC	\$130,987.00	0.00%

FSA20-VEF14.01, Ambulances & Other Equipment

**Group:** Ambulance Type 1 - 4x2 Regular Cab Diesel Engine

**Item:** 48, Medix, Dodge Ram 3500 / Modular Box 153``x94``x72`` HR

**Description:** Specification 1: Refer to FSA specification descriptions

Rank	Vendor	Price	Percent
Primary	Medix Specialty Vehicles, LLC	\$134,622.00	0.00%

FSA20-VEF14.01, Ambulances & Other Equipment

**Group:** Ambulance Type 1 - 4x2 Regular Cab Diesel Engine

**Item:** 49, Medix, Ford F-450 / Modular Box 157``x96``x72`` HR

**Description:** Specification 1: Refer to FSA specification descriptions

Rank	Vendor	Price	Percent
Primary	Medix Specialty Vehicles, LLC	\$158,118.00	0.00%

FSA20-VEF14.01, Ambulances & Other Equipment

**Group:** Ambulance Type 1 - 4x2 Regular Cab Diesel Engine

**Item:** 50, Medix, Dodge Ram 4500 / Modular Box 157``x96``x72`` HR

**Description:** Specification 1: Refer to FSA specification descriptions

Rank	Vendor	Price	Percent
Primary	Medix Specialty Vehicles, LLC	\$156,098.00	0.00%

FSA20-VEF14.01, Ambulances & Other Equipment

**Group:** Ambulance Type 1 - 4x2 Regular Cab Diesel Engine

**Item:** 51, Medix, Ford F-450 / Modular Box 170``x96``x72`` HR

**Description:** Specification 1: Refer to FSA specification descriptions

Rank	Vendor	Price	Percent
Primary	Medix Specialty Vehicles, LLC	\$167,580.00	0.00%

FSA20-VEF14.01, Ambulances & Other Equipment

**Group:** Ambulance Type 1 - 4x2 Regular Cab Diesel Engine

**Item:** 52, Medix, Dodge Ram 4500 / Modular Box 170`x96`x72` HR

**Description:** Specification 1: Refer to FSA specification descriptions

Rank	Vendor	Price	Percent
Primary	Medix Specialty Vehicles, LLC	\$165,863.00	0.00%



FSA20-VEF14.01, Ambulances & Other Equipment

**Group:** Ambulance Type 1 - 4x2 Regular Cab Diesel Engine

**Item:** 53, Medix, Ford F-550 / Modular Box 170``x96``x72`` HR

**Description:** Specification 1: Refer to FSA specification descriptions

Rank	Vendor	Price	Percent
Primary	Medix Specialty Vehicles, LLC	\$168,685.00	0.00%

FSA20-VEF14.01, Ambulances & Other Equipment

**Group:** Ambulance Type 1 - 4x2 Regular Cab Diesel Engine

**Item:** 54, Medix, Dodge Ram 5500 / Modular Box 170`x96`x72` HR

**Description:** Specification 1: Refer to FSA specification descriptions

Rank	Vendor	Price	Percent
Primary	Medix Specialty Vehicles, LLC	\$165,565.00	0.00%

FSA20-VEF14.01, Ambulances & Other Equipment

**Group:** Ambulance Type 1 - 4x2 Regular Cab Diesel Engine

**Item:** 55, Life Line Ambulance, Ford F-350 / Modular Box 147``x96``x68`` HR

**Description:** Specification 1: Refer to FSA specification descriptions

Rank	Vendor	Price	Percent
Primary	Quality Emergency Vehichles	\$195,931.00	0.00%

FSA20-VEF14.01, Ambulances & Other Equipment

**Group:** Ambulance Type 1 - 4x2 Regular Cab Diesel Engine

**Item:** 56, Life Line Ambulance, Ford F-450 / Modular Box 147``x96``x68`` HR

**Description:** Specification 1: Refer to FSA specification descriptions

Rank	Vendor	Price	Percent
Primary	Quality Emergency Vehichles	\$198,545.00	0.00%

FSA20-VEF14.01, Ambulances & Other Equipment

**Group:** Ambulance Type 1 - 4x2 Regular Cab Diesel Engine

**Item:** 57, Life Line Ambulance, Ford F-550 / Modular Box 167``x96``x72`` HR

**Description:** Specification 1: Refer to FSA specification descriptions

Rank	Vendor	Price	Percent
Primary	Quality Emergency Vehichles	\$202,528.00	0.00%

FSA20-VEF14.01, Ambulances & Other Equipment

**Group:** Ambulance Type 1 - 4x2 Regular Cab Diesel Engine

**Item:** 58, Life Line Ambulance, Dodge Ram 4500 / Modular Box 147``x96``x68`` HR

**Description:** Specification 1: Refer to FSA specification descriptions

<b>Rank</b>	<b>Vendor</b>	<b>Price</b>	<b>Percent</b>
Primary	Quality Emergency Vehichles	\$194,118.00	0.00%

FSA20-VEF14.01, Ambulances & Other Equipment

**Group:** Ambulance Type 1 - 4x2 Regular Cab Diesel Engine

**Item:** 59, Life Line Ambulance, Dodge Ram 5500 / Modular Box 167``x96``x72`` HR

**Description:** Specification 1: Refer to FSA specification descriptions

Rank	Vendor	Price	Percent
Primary	Quality Emergency Vehichles	\$198,503.00	0.00%

FSA20-VEF14.01, Ambulances & Other Equipment

**Group:** Ambulance Type 1 - 4x2 Regular Cab Diesel Engine

**Item:** 60, Horton, Ford F-350 / Modular Box 149``x96.25``x72``

**Description:** Specification 1: Refer to FSA specification descriptions

Rank	Vendor	Price	Percent
Primary	REV RTC	\$193,301.99	0.00%



FSA20-VEF14.01, Ambulances & Other Equipment

**Group:** Ambulance Type 1 - 4x2 Regular Cab Diesel Engine

**Item:** 61, Horton, Ford F-450 / Modular Box 157``x96.25``x72``

**Description:** Specification 1: Refer to FSA specification descriptions

Rank	Vendor	Price	Percent
Primary	REV RTC	\$200,042.56	0.00%

FSA20-VEF14.01, Ambulances & Other Equipment

**Group:** Ambulance Type 1 - 4x2 Regular Cab Diesel Engine

**Item:** 62, Horton, Ford F-550 / Modular Box173``x96.25``x72``

**Description:** Specification 1: Refer to FSA specification descriptions

Rank	Vendor	Price	Percent
Primary	REV RTC	\$201,273.42	0.00%

FSA20-VEF14.01, Ambulances & Other Equipment

**Group:** Ambulance Type 1 - 4x2 Regular Cab Diesel Engine

**Item:** 63, Horton, Dodge Ram 4500 / Modular Box 157``x96.25``x72``

**Description:** Specification 1: Refer to FSA specification descriptions

<b>Rank</b>	<b>Vendor</b>	<b>Price</b>	<b>Percent</b>
Primary	REV RTC	\$197,416.06	0.00%

FSA20-VEF14.01, Ambulances & Other Equipment

**Group:** Ambulance Type 1 - 4x2 Regular Cab Diesel Engine

**Item:** 64, Horton, Dodge Ram 5500 / Modular Box 173``x96.25``x72``

**Description:** Specification 1: Refer to FSA specification descriptions

Rank	Vendor	Price	Percent
Primary	REV RTC	\$199,609.86	0.00%

FSA20-VEF14.01, Ambulances & Other Equipment

**Group:** Ambulance Type 1 - 4x2 Regular Cab Diesel Engine

**Item:** 65, Road Rescue, Dodge Ram 4500 / Modular Box 150``x92``x68``

**Description:** Specification 1: Refer to FSA specification descriptions

Rank	Vendor	Price	Percent
Primary	REV RTC	\$172,361.45	0.00%

FSA20-VEF14.01, Ambulances & Other Equipment

**Group:** Ambulance Type 1 - 4x2 Regular Cab Diesel Engine

**Item:** 66, Road Rescue, Dodge Ram 4500 / Modular Box 150`x96`x72`

**Description:** Specification 1: Refer to FSA specification descriptions

Rank	Vendor	Price	Percent
Primary	REV RTC	\$177,667.72	0.00%

FSA20-VEF14.01, Ambulances & Other Equipment

**Group:** Ambulance Type 1 - 4x2 Regular Cab Diesel Engine

**Item:** 67, Road Rescue, Dodge Ram 4500 / Modular Box 168``x96``x72``

**Description:** Specification 1: Refer to FSA specification descriptions

Rank	Vendor	Price	Percent
Primary	REV RTC	\$182,047.55	0.00%

FSA20-VEF14.01, Ambulances & Other Equipment

**Group:** Ambulance Type 1 - 4x2 Regular Cab Diesel Engine

**Item:** 68, Road Rescue, Dodge Ram 4500 / Modular Box 153``x95``x72``

**Description:** Specification 1: Refer to FSA specification descriptions

Rank	Vendor	Price	Percent
Primary	REV RTC	\$169,515.48	0.00%



FSA20-VEF14.01, Ambulances & Other Equipment

**Group:** Ambulance Type 1 - 4x2 Regular Cab Diesel Engine

**Item:** 69, Road Rescue, Dodge Ram 4500 / Modular Box 170`x95`x72`

**Description:** Specification 1: Refer to FSA specification descriptions

Rank	Vendor	Price	Percent
Primary	REV RTC	\$171,283.15	0.00%

FSA20-VEF14.01, Ambulances & Other Equipment

**Group:** Ambulance Type 1 - 4x2 Regular Cab Diesel Engine

**Item:** 70, Road Rescue, Dodge Ram 5500 / Modular Box 168``x96``x72``

**Description:** Specification 1: Refer to FSA specification descriptions

Rank	Vendor	Price	Percent
Primary	REV RTC	\$183,075.59	0.00%

FSA20-VEF14.01, Ambulances & Other Equipment

**Group:** Ambulance Type 1 - 4x2 Regular Cab Diesel Engine

**Item:** 71, Road Rescue, Dodge Ram 5500 / Modular Box 170`x95`x72`

**Description:** Specification 1: Refer to FSA specification descriptions

Rank	Vendor	Price	Percent
Primary	REV RTC	\$172,484.90	0.00%

FSA20-VEF14.01, Ambulances & Other Equipment

**Group:** Ambulance Type 1 - 4x2 Regular Cab Diesel Engine

**Item:** 72, Road Rescue, Ford F-350 / Modular Box 153``x95``x67``

**Description:** Specification 1: Refer to FSA specification descriptions

<b>Rank</b>	<b>Vendor</b>	<b>Price</b>	<b>Percent</b>
Primary	REV RTC	\$149,162.21	0.00%

FSA20-VEF14.01, Ambulances & Other Equipment

**Group:** Ambulance Type 1 - 4x2 Regular Cab Diesel Engine

**Item:** 73, Road Rescue, Ford F-450 / Modular Box 150``x92``x68``

**Description:** Specification 1: Refer to FSA specification descriptions

Rank	Vendor	Price	Percent
Primary	REV RTC	\$177,236.18	0.00%

FSA20-VEF14.01, Ambulances & Other Equipment

**Group:** Ambulance Type 1 - 4x2 Regular Cab Diesel Engine

**Item:** 74, Road Rescue, Ford F-450 / Modular Box 150``x96``x72``

**Description:** Specification 1: Refer to FSA specification descriptions

Rank	Vendor	Price	Percent
Primary	REV RTC	\$182,500.94	0.00%

FSA20-VEF14.01, Ambulances & Other Equipment

**Group:** Ambulance Type 1 - 4x2 Regular Cab Diesel Engine

**Item:** 75, Road Rescue, Ford F-450 / Modular Box 168``x96``x72``

**Description:** Specification 1: Refer to FSA specification descriptions

Rank	Vendor	Price	Percent
Primary	REV RTC	\$186,867.66	0.00%

FSA20-VEF14.01, Ambulances & Other Equipment

**Group:** Ambulance Type 1 - 4x2 Regular Cab Diesel Engine

**Item:** 76, Road Rescue, Ford F-450 / Modular Box 153``x95``x67``

**Description:** Specification 1: Refer to FSA specification descriptions

Rank	Vendor	Price	Percent
Primary	REV RTC	\$166,566.83	0.00%



FSA20-VEF14.01, Ambulances & Other Equipment

**Group:** Ambulance Type 1 - 4x2 Regular Cab Diesel Engine

**Item:** 77, Road Rescue, Ford F-450 / Modular Box 170``x95``x72``

**Description:** Specification 1: Refer to FSA specification descriptions

Rank	Vendor	Price	Percent
Primary	REV RTC	\$169,709.95	0.00%

FSA20-VEF14.01, Ambulances & Other Equipment

**Group:** Ambulance Type 1 - 4x2 Regular Cab Diesel Engine

**Item:** 78, Road Rescue, Ford F-550 / Modular Box 168``x96``x72``

**Description:** Specification 1: Refer to FSA specification descriptions

Rank	Vendor	Price	Percent
Primary	REV RTC	\$187,920.83	0.00%

FSA20-VEF14.01, Ambulances & Other Equipment

**Group:** Ambulance Type 1 - 4x2 Regular Cab Diesel Engine

**Item:** 79, Road Rescue, Ford F-550 / Modular Box 170``x95``x72``

**Description:** Specification 1: Refer to FSA specification descriptions

Rank	Vendor	Price	Percent
Primary	REV RTC	\$170,824.30	0.00%

FSA20-VEF14.01, Ambulances & Other Equipment

**Group:** Ambulance Type 1 - 4x2 Regular Cab Diesel Engine

**Item:** 80, Wheeled Coach, Chevrolet 3500 / Modular Box 146``x90``x68``

**Description:** Specification 1: Refer to FSA specification descriptions

Rank	Vendor	Price	Percent
Primary	REV RTC	\$132,933.12	0.00%

FSA20-VEF14.01, Ambulances & Other Equipment

**Group:** Ambulance Type 1 - 4x2 Regular Cab Diesel Engine

**Item:** 81, Wheeled Coach, Chevrolet 3500 / Modular Box 153``x95``x67``

**Description:** Specification 1: Refer to FSA specification descriptions

Rank	Vendor	Price	Percent
Primary	REV RTC	\$139.36	0.00%

FSA20-VEF14.01, Ambulances & Other Equipment

**Group:** Ambulance Type 1 - 4x2 Regular Cab Diesel Engine

**Item:** 82, Wheeled Coach, Dodge Ram 3500 / Modular Box 146``x90x68``

**Description:** Specification 1: Refer to FSA specification descriptions

Rank	Vendor	Price	Percent
Primary	REV RTC	\$133,718.63	0.00%

FSA20-VEF14.01, Ambulances & Other Equipment

**Group:** Ambulance Type 1 - 4x2 Regular Cab Diesel Engine

**Item:** 83, Wheeled Coach, Dodge Ram 3500 / Modular Box 153``x95``x67``

**Description:** Specification 1: Refer to FSA specification descriptions

<b>Rank</b>	<b>Vendor</b>	<b>Price</b>	<b>Percent</b>
Primary	REV RTC	\$140,187.32	0.00%

FSA20-VEF14.01, Ambulances & Other Equipment

**Group:** Ambulance Type 1 - 4x2 Regular Cab Diesel Engine

**Item:** 84, Wheeled Coach, Dodge Ram 4500 / Modular Box 153``x95``x67``

**Description:** Specification 1: Refer to FSA specification descriptions

Rank	Vendor	Price	Percent
Primary	REV RTC	\$164,902.95	0.00%



FSA20-VEF14.01, Ambulances & Other Equipment

**Group:** Ambulance Type 1 - 4x2 Regular Cab Diesel Engine

**Item:** 85, Wheeled Coach, Dodge Ram 4500 / Modular Box 170``x95``x72``

**Description:** Specification 1: Refer to FSA specification descriptions

Rank	Vendor	Price	Percent
Primary	REV RTC	\$167,981.61	0.00%

FSA20-VEF14.01, Ambulances & Other Equipment

**Group:** Ambulance Type 1 - 4x2 Regular Cab Diesel Engine

**Item:** 86, Wheeled Coach, Dodge Ram 5500 / Modular Box 170``x 95``x72``

**Description:** Specification 1: Refer to FSA specification descriptions

<b>Rank</b>	<b>Vendor</b>	<b>Price</b>	<b>Percent</b>
Primary	REV RTC	\$168,854.52	0.00%

FSA20-VEF14.01, Ambulances & Other Equipment

**Group:** Ambulance Type 1 - 4x2 Regular Cab Diesel Engine

**Item:** 87, Wheeled Coach, Ford F-350 / Modular Box 146``x90``x68``

**Description:** Specification 1: Refer to FSA specification descriptions

Rank	Vendor	Price	Percent
Primary	REV RTC	\$139,253.23	0.00%

FSA20-VEF14.01, Ambulances & Other Equipment

**Group:** Ambulance Type 1 - 4x2 Regular Cab Diesel Engine

**Item:** 88, Wheeled Coach, Ford F-350 / Modular Box 153``x95``x67``

**Description:** Specification 1: Refer to FSA specification descriptions

Rank	Vendor	Price	Percent
Primary	REV RTC	\$145,768.90	0.00%

FSA20-VEF14.01, Ambulances & Other Equipment

**Group:** Ambulance Type 1 - 4x2 Regular Cab Diesel Engine

**Item:** 89, Wheeled Coach, Ford F-450 / Modular Box 153``x95``x67``

**Description:** Specification 1: Refer to FSA specification descriptions

Rank	Vendor	Price	Percent
Primary	REV RTC	\$163,173.52	0.00%

FSA20-VEF14.01, Ambulances & Other Equipment

**Group:** Ambulance Type 1 - 4x2 Regular Cab Diesel Engine

**Item:** 90, Wheeled Coach, Ford F-450 / Modular Box 170``x95``x72``

**Description:** Specification 1: Refer to FSA specification descriptions

<b>Rank</b>	<b>Vendor</b>	<b>Price</b>	<b>Percent</b>
Primary	REV RTC	\$166,289.33	0.00%

FSA20-VEF14.01, Ambulances & Other Equipment

**Group:** Ambulance Type 1 - 4x2 Regular Cab Diesel Engine

**Item:** 91, Wheeled Coach, Ford F-550 / Modular Box 170``x95``x72``

**Description:** Specification 1: Refer to FSA specification descriptions

Rank	Vendor	Price	Percent
Primary	REV RTC	\$167,403.68	0.00%

FSA20-VEF14.01, Ambulances & Other Equipment

**Group:** Ambulance Type 1 - 4x2 Regular Cab Diesel Engine

**Item:** 92, PL Custom Emergency Vehicles, Ford F-550 / Modular Box 170``x72`` HR

**Description:** Specification 1: Refer to FSA specification descriptions

Rank	Vendor	Price	Percent
Primary	South Florida Emergency Vehicles LLC.	\$193,583.00	0.00%



FSA20-VEF14.01, Ambulances & Other Equipment

**Group:** Ambulance Type 1 - 4x2 Regular Cab Diesel Engine

**Item:** 93, Braun, Ford F-350 Express Plus / Modular Box 150``x95``x72`` HR

**Description:** Specification 1: Refer to FSA specification descriptions

<b>Rank</b>	<b>Vendor</b>	<b>Price</b>	<b>Percent</b>
Primary	Ten-8 Fire Equipment, Inc.	\$172,880.00	0.00%

FSA20-VEF14.01, Ambulances & Other Equipment

**Group:** Ambulance Type 1 - 4x2 Regular Cab Diesel Engine

**Item:** 94, Braun, Ford F-450 Express Plus / Modular Box 150``x95``x72`` HR

**Description:** Specification 1: Refer to FSA specification descriptions

<b>Rank</b>	<b>Vendor</b>	<b>Price</b>	<b>Percent</b>
Primary	Ten-8 Fire Equipment, Inc.	\$186,021.00	0.00%

FSA20-VEF14.01, Ambulances & Other Equipment

**Group:** Ambulance Type 1 - 4x2 Regular Cab Diesel Engine

**Item:** 95, Braun, Ford F-450 Liberty / Modular Box 156``x95``x72`` HR

**Description:** Specification 1: Refer to FSA specification descriptions

<b>Rank</b>	<b>Vendor</b>	<b>Price</b>	<b>Percent</b>
Primary	Ten-8 Fire Equipment, Inc.	\$198,874.00	0.00%

FSA20-VEF14.01, Ambulances & Other Equipment

**Group:** Ambulance Type 1 - 4x2 Regular Cab Diesel Engine

**Item:** 96, Braun, Ford F-450 Chief XL / Modular Box 169``x95``x72`` HR

**Description:** Specification 1: Refer to FSA specification descriptions

<b>Rank</b>	<b>Vendor</b>	<b>Price</b>	<b>Percent</b>
Primary	Ten-8 Fire Equipment, Inc.	\$216,996.00	0.00%

FSA20-VEF14.01, Ambulances & Other Equipment

**Group:** Ambulance Type 1 - 4x2 Regular Cab Diesel Engine

**Item:** 97, Braun, Ford F-550 Chief XL / Modular Box 169``x95``x72`` HR

**Description:** Specification 1: Refer to FSA specification descriptions

<b>Rank</b>	<b>Vendor</b>	<b>Price</b>	<b>Percent</b>
Primary	Ten-8 Fire Equipment, Inc.	\$218,125.00	0.00%

FSA20-VEF14.01, Ambulances & Other Equipment

**Group:** Ambulance Type 1 - 4x2 Regular Cab Diesel Engine

**Item:** 98, Braun, Dodge Ram 4500 Express Plus / Modular Box 150``x95``x72`` HR

**Description:** Specification 1: Refer to FSA specification descriptions

<b>Rank</b>	<b>Vendor</b>	<b>Price</b>	<b>Percent</b>
Primary	Ten-8 Fire Equipment, Inc.	\$172,283.00	0.00%

FSA20-VEF14.01, Ambulances & Other Equipment

**Group:** Ambulance Type 1 - 4x2 Regular Cab Diesel Engine

**Item:** 99, Braun, Dodge Ram 4500 Liberty / Modular Box 156``x95``x72`` HR

**Description:** Specification 1: Refer to FSA specification descriptions

<b>Rank</b>	<b>Vendor</b>	<b>Price</b>	<b>Percent</b>
Primary	Ten-8 Fire Equipment, Inc.	\$194,980.00	0.00%

FSA20-VEF14.01, Ambulances & Other Equipment

**Group:** Ambulance Type 1 - 4x2 Regular Cab Diesel Engine

**Item:** 100, Braun, Dodge Ram 4500 Chief XL / Modular Box 169``x95``x72`` HR

**Description:** Specification 1: Refer to FSA specification descriptions

Rank	Vendor	Price	Percent
Primary	Ten-8 Fire Equipment, Inc.	\$212,138.00	0.00%



FSA20-VEF14.01, Ambulances & Other Equipment

**Group:** Ambulance Type 1 - 4x2 Regular Cab Diesel Engine

**Item:** 101, Braun, Dodge Ram 5500 Chief XL / Modular Box 169``x95``x72`` HR

**Description:** Specification 1: Refer to FSA specification descriptions

<b>Rank</b>	<b>Vendor</b>	<b>Price</b>	<b>Percent</b>
Primary	Ten-8 Fire Equipment, Inc.	\$213,257.00	0.00%

FSA20-VEF14.01, Ambulances & Other Equipment

**Group:** Ambulance Type 1 - 4x2 Regular Cab Diesel Engine

**Item:** 102, Demers, Ford F-350 MXP150 / Modular Box 150``x95``x72`` HR

**Description:** Specification 1: Refer to FSA specification descriptions

<b>Rank</b>	<b>Vendor</b>	<b>Price</b>	<b>Percent</b>
Primary	Ten-8 Fire Equipment, Inc.	\$168,505.00	0.00%

FSA20-VEF14.01, Ambulances & Other Equipment

**Group:** Ambulance Type 1 - 4x2 Regular Cab Diesel Engine

**Item:** 103, Demers, Ford F-450 MXP150 / Modular Box 150``x95``x72`` HR

**Description:** Specification 1: Refer to FSA specification descriptions

<b>Rank</b>	<b>Vendor</b>	<b>Price</b>	<b>Percent</b>
Primary	Ten-8 Fire Equipment, Inc.	\$182,533.00	0.00%

FSA20-VEF14.01, Ambulances & Other Equipment

**Group:** Ambulance Type 1 - 4x2 Regular Cab Diesel Engine

**Item:** 104, Demers, Ford F-450 MXP170 / Modular Box 170``x95``x72`` HR

**Description:** Specification 1: Refer to FSA specification descriptions

<b>Rank</b>	<b>Vendor</b>	<b>Price</b>	<b>Percent</b>
Primary	Ten-8 Fire Equipment, Inc.	\$197,155.00	0.00%

FSA20-VEF14.01, Ambulances & Other Equipment

**Group:** Ambulance Type 1 - 4x2 Regular Cab Diesel Engine

**Item:** 105, Demers, Ford F-550 MXP170 / Modular Box 170``x95``x72`` HR

**Description:** Specification 1: Refer to FSA specification descriptions

Rank	Vendor	Price	Percent
Primary	Ten-8 Fire Equipment, Inc.	\$198,972.00	0.00%

FSA20-VEF14.01, Ambulances & Other Equipment

**Group:** Ambulance Type 1 - 4x2 Regular Cab Diesel Engine

**Item:** 106, Demers, Dodge Ram 4500 MXP150 / Modular Box 150``x95``x72`` HR

**Description:** Specification 1: Refer to FSA specification descriptions

<b>Rank</b>	<b>Vendor</b>	<b>Price</b>	<b>Percent</b>
Primary	Ten-8 Fire Equipment, Inc.	\$179,121.00	0.00%

FSA20-VEF14.01, Ambulances & Other Equipment

**Group:** Ambulance Type 1 - 4x2 Regular Cab Diesel Engine

**Item:** 107, Demers, Dodge Ram 4500 MXP170 / Modular Box 170``x 95``x72`` HR

**Description:** Specification 1: Refer to FSA specification descriptions

<b>Rank</b>	<b>Vendor</b>	<b>Price</b>	<b>Percent</b>
Primary	Ten-8 Fire Equipment, Inc.	\$193,508.00	0.00%

FSA20-VEF14.01, Ambulances & Other Equipment

**Group:** Ambulance Type 1 - 4x2 Regular Cab Diesel Engine

**Item:** 108, Demers, Dodge Ram 5500 MXP170 / Modular Box 170``x 95``x 72`` HR

**Description:** Specification 1: Refer to FSA specification descriptions

Rank	Vendor	Price	Percent
Primary	Ten-8 Fire Equipment, Inc.	\$195,816.00	0.00%



FSA20-VEF14.01, Ambulances & Other Equipment

**Group:** Ambulance Type 1 - 4x2 Regular Cab Diesel Engine

**Item:** 109, Osage, Ford F-350 Warrior / Modular Box 148``x 96``x 68`` HR

**Description:** Specification 1: Refer to FSA specification descriptions

Rank	Vendor	Price	Percent
------	--------	-------	---------

FSA20-VEF14.01, Ambulances & Other Equipment

**Group:** Ambulance Type 1 - 4x2 Regular Cab Diesel Engine

**Item:** 110, Osage, Ford F-450 Warrior / Modular Box 148``x 96``x 68`` HR

**Description:** Specification 1: Refer to FSA specification descriptions

<b>Rank</b>	<b>Vendor</b>	<b>Price</b>	<b>Percent</b>
Primary	Ten-8 Fire Equipment, Inc.	\$162,478.00	0.00%

FSA20-VEF14.01, Ambulances & Other Equipment

**Group:** Ambulance Type 1 - 4x2 Regular Cab Diesel Engine

**Item:** 111, Osage, Ford F-450 Super Warrior / Modular Box 168``x 96``x 72`` HR

**Description:** Specification 1: Refer to FSA specification descriptions

<b>Rank</b>	<b>Vendor</b>	<b>Price</b>	<b>Percent</b>
Primary	Ten-8 Fire Equipment, Inc.	\$135,078.00	0.00%

FSA20-VEF14.01, Ambulances & Other Equipment

**Group:** Ambulance Type 1 - 4x2 Regular Cab Diesel Engine

**Item:** 112, Osage, Ford F-550 Super Warrior / Modular Box 168``x 96``x 72`` HR

**Description:** Specification 1: Refer to FSA specification descriptions

Rank	Vendor	Price	Percent
Primary	Ten-8 Fire Equipment, Inc.	\$171,941.00	0.00%

FSA20-VEF14.01, Ambulances & Other Equipment

**Group:** Ambulance Type 1 - 4x2 Regular Cab Diesel Engine

**Item:** 113, Osage, Dodge Ram 4500 Warrior / Modular Box 148``x 96``x 68`` HR

**Description:** Specification 1: Refer to FSA specification descriptions

<b>Rank</b>	<b>Vendor</b>	<b>Price</b>	<b>Percent</b>
Primary	Ten-8 Fire Equipment, Inc.	\$164,198.00	0.00%

FSA20-VEF14.01, Ambulances & Other Equipment

**Group:** Ambulance Type 1 - 4x2 Regular Cab Diesel Engine

**Item:** 114, Osage, Dodge Ram 4500 Super Warrior / Modular Box 168``x 96``x 72`` HR

**Description:** Specification 1: Refer to FSA specification descriptions

<b>Rank</b>	<b>Vendor</b>	<b>Price</b>	<b>Percent</b>
Primary	Ten-8 Fire Equipment, Inc.	\$145,274.00	0.00%

FSA20-VEF14.01, Ambulances & Other Equipment

**Group:** Ambulance Type 1 - 4x2 Regular Cab Diesel Engine

**Item:** 115, Osage, Dodge Ram 5500 Super Warrior / Modular Box 168``x 96``x 72`` HR

**Description:** Specification 1: Refer to FSA specification descriptions

<b>Rank</b>	<b>Vendor</b>	<b>Price</b>	<b>Percent</b>
Primary	Ten-8 Fire Equipment, Inc.	\$172,639.00	0.00%

FSA20-VEF14.01, Ambulances & Other Equipment

**Group:** Ambulance Type 1 - 4x2 Regular Cab Diesel Engine

**Item:** 116, Crestline, Ford F-350 CCL 150 / Modular Box 150``x 95``x 68`` HR

**Description:** Specification 1: Refer to FSA specification descriptions

<b>Rank</b>	<b>Vendor</b>	<b>Price</b>	<b>Percent</b>
Primary	Ten-8 Fire Equipment, Inc.	\$137,057.00	0.00%



FSA20-VEF14.01, Ambulances & Other Equipment

**Group:** Ambulance Type 1 - 4x2 Regular Cab Gas Engine

**Item:** 117, ETR Ford, Ford F-350 / Modular Box 145``x92``x68``

**Description:** Specification 2: Refer to FSA specification descriptions

<b>Rank</b>	<b>Vendor</b>	<b>Price</b>	<b>Percent</b>
Primary	ETR, L.L.C.	\$127,295.00	0.00%

FSA20-VEF14.01, Ambulances & Other Equipment

**Group:** Ambulance Type 1 - 4x2 Regular Cab Gas Engine

**Item:** 118, ETR Ford, Ford F-450 / Modular Box 148``x95``x68``

**Description:** Specification 2: Refer to FSA specification descriptions

<b>Rank</b>	<b>Vendor</b>	<b>Price</b>	<b>Percent</b>
Primary	ETR, L.L.C.	\$151,064.00	0.00%

FSA20-VEF14.01, Ambulances & Other Equipment

**Group:** Ambulance Type 1 - 4x2 Regular Cab Gas Engine

**Item:** 119, ETR Ford, Ford F-450 / Modular Box 172``x95``x68``

**Description:** Specification 2: Refer to FSA specification descriptions

Rank	Vendor	Price	Percent
Primary	ETR, L.L.C.	\$153,764.00	0.00%

FSA20-VEF14.01, Ambulances & Other Equipment

**Group:** Ambulance Type 1 - 4x2 Regular Cab Gas Engine

**Item:** 120, ETR Ford, Ford F-550 / Modular Box 172``x95``x68``

**Description:** Specification 2: Refer to FSA specification descriptions

<b>Rank</b>	<b>Vendor</b>	<b>Price</b>	<b>Percent</b>
Primary	ETR, L.L.C.	\$154,859.00	0.00%

FSA20-VEF14.01, Ambulances & Other Equipment

**Group:** Ambulance Type 1 - 4x2 Regular Cab Gas Engine

**Item:** 121, ETR Ford, Ford F-600 / Modular Box 172``x95``x68``

**Description:** Specification 2: Refer to FSA specification descriptions

Rank	Vendor	Price	Percent
------	--------	-------	---------

FSA20-VEF14.01, Ambulances & Other Equipment

**Group:** Ambulance Type 1 - 4x2 Regular Cab Gas Engine

**Item:** 122, ETR Chevrolet, Chevrolet 3500 HD / Modular Box 145``x92``x68``

**Description:** Specification 2: Refer to FSA specification descriptions

<b>Rank</b>	<b>Vendor</b>	<b>Price</b>	<b>Percent</b>
Primary	ETR, L.L.C.	\$130,126.00	0.00%

FSA20-VEF14.01, Ambulances & Other Equipment

**Group:** Ambulance Type 1 - 4x2 Regular Cab Gas Engine

**Item:** 123, ETR Dodge, Dodge Ram 3500 / Modular Box 145``x92``x68``

**Description:** Specification 2: Refer to FSA specification descriptions

Rank	Vendor	Price	Percent
Primary	ETR, L.L.C.	\$141,714.00	0.00%

FSA20-VEF14.01, Ambulances & Other Equipment

**Group:** Ambulance Type 1 - 4x2 Regular Cab Gas Engine

**Item:** 124, ETR Dodge, Dodge Ram 3500 / Modular Box 148``x95``x68``

**Description:** Specification 2: Refer to FSA specification descriptions

<b>Rank</b>	<b>Vendor</b>	<b>Price</b>	<b>Percent</b>
Primary	ETR, L.L.C.	\$148,920.00	0.00%



FSA20-VEF14.01, Ambulances & Other Equipment

**Group:** Ambulance Type 1 - 4x2 Regular Cab Gas Engine

**Item:** 125, ETR Dodge, Dodge Ram 4500 / Modular Box 148``x95``x68``

**Description:** Specification 2: Refer to FSA specification descriptions

<b>Rank</b>	<b>Vendor</b>	<b>Price</b>	<b>Percent</b>
Primary	ETR, L.L.C.	\$152,655.00	0.00%

FSA20-VEF14.01, Ambulances & Other Equipment

**Group:** Ambulance Type 1 - 4x2 Regular Cab Gas Engine

**Item:** 126, ETR Dodge, Dodge Ram 5500 / Modular Box 172``x95``x68``

**Description:** Specification 2: Refer to FSA specification descriptions

<b>Rank</b>	<b>Vendor</b>	<b>Price</b>	<b>Percent</b>
Primary	ETR, L.L.C.	\$155,459.00	0.00%

FSA20-VEF14.01, Ambulances & Other Equipment

**Group:** Ambulance Type 1 - 4x2 Regular Cab Gas Engine

**Item:** 127, Excellence , Chevrolet Silverado 4500 / Modular Box 96``x172``x72``

**Description:** Specification 2: Refer to FSA specification descriptions

Rank	Vendor	Price	Percent
------	--------	-------	---------

FSA20-VEF14.01, Ambulances & Other Equipment

**Group:** Ambulance Type 1 - 4x2 Regular Cab Gas Engine

**Item:** 128, Excellance , Dodge 4500 / Modular Box 96``x146``x72``

**Description:** Specification 2: Refer to FSA specification descriptions

<b>Rank</b>	<b>Vendor</b>	<b>Price</b>	<b>Percent</b>
Primary	Excellance, Inc	\$180,988.00	0.00%

FSA20-VEF14.01, Ambulances & Other Equipment

**Group:** Ambulance Type 1 - 4x2 Regular Cab Gas Engine

**Item:** 129, Excellance , Ford F-350 / Modular Box 96``x146``x72``

**Description:** Specification 2: Refer to FSA specification descriptions

<b>Rank</b>	<b>Vendor</b>	<b>Price</b>	<b>Percent</b>
Primary	Excellance, Inc	\$186,076.00	0.00%

FSA20-VEF14.01, Ambulances & Other Equipment

**Group:** Ambulance Type 1 - 4x2 Regular Cab Gas Engine

**Item:** 130, Excellance , Ford F-450 / Modular Box 96``x146``x72``

**Description:** Specification 2: Refer to FSA specification descriptions

<b>Rank</b>	<b>Vendor</b>	<b>Price</b>	<b>Percent</b>
Primary	Excellance, Inc	\$188,079.00	0.00%

FSA20-VEF14.01, Ambulances & Other Equipment

**Group:** Ambulance Type 1 - 4x2 Regular Cab Gas Engine

**Item:** 131, Excellance , Dodge 4500 / Modular Box 96``x172``x72``

**Description:** Specification 2: Refer to FSA specification descriptions

<b>Rank</b>	<b>Vendor</b>	<b>Price</b>	<b>Percent</b>
Primary	Excellance, Inc	\$184,222.00	0.00%

FSA20-VEF14.01, Ambulances & Other Equipment

**Group:** Ambulance Type 1 - 4x2 Regular Cab Gas Engine

**Item:** 132, Excellence , Ford 450 / Modular Box 96``x172``x72``

**Description:** Specification 2: Refer to FSA specification descriptions

<b>Rank</b>	<b>Vendor</b>	<b>Price</b>	<b>Percent</b>
Primary	Excellence, Inc	\$190,028.00	0.00%



FSA20-VEF14.01, Ambulances & Other Equipment

**Group:** Ambulance Type 1 - 4x2 Regular Cab Gas Engine

**Item:** 133, Frazer, Chevrolet C3500 / Modular Box 144.625``x86.25``x96.25``

**Description:** Specification 2: Refer to FSA specification descriptions

Rank	Vendor	Price	Percent
Primary	Frazer, Ltd.	\$160,325.00	0.00%

FSA20-VEF14.01, Ambulances & Other Equipment

**Group:** Ambulance Type 1 - 4x2 Regular Cab Gas Engine

**Item:** 134, Frazer, Ford F-350 / Modular Box 144.625``x86.25``x96.25``

**Description:** Specification 2: Refer to FSA specification descriptions

Rank	Vendor	Price	Percent
Primary	Frazer, Ltd.	\$162,825.00	0.00%

FSA20-VEF14.01, Ambulances & Other Equipment

**Group:** Ambulance Type 1 - 4x2 Regular Cab Gas Engine

**Item:** 135, Frazer, Dodge Ram 3500 / Modular Box 144.625``x86.25``x96.25``

**Description:** Specification 2: Refer to FSA specification descriptions

Rank	Vendor	Price	Percent
Primary	Frazer, Ltd.	\$170,750.00	0.00%

FSA20-VEF14.01, Ambulances & Other Equipment

**Group:** Ambulance Type 1 - 4x2 Regular Cab Gas Engine

**Item:** 136, Gen-T Ambulance, Ford F-350 GT-147 / Modular Box 147``L x 90``W x 70`` HR

**Description:** Specification 2: Refer to FSA specification descriptions

Rank	Vendor	Price	Percent
------	--------	-------	---------

FSA20-VEF14.01, Ambulances & Other Equipment

**Group:** Ambulance Type 1 - 4x2 Regular Cab Gas Engine

**Item:** 137, Gen-T Ambulance, Ford F-450 GT-147 / Modular Box 147``L x 90``W x 70`` HR

**Description:** Specification 2: Refer to FSA specification descriptions

**Rank**

**Vendor**

**Price**

**Percent**

FSA20-VEF14.01, Ambulances & Other Equipment

**Group:** Ambulance Type 1 - 4x2 Regular Cab Gas Engine

**Item:** 138, Gen-T Ambulance, Ford F-550 GT-147 / Modular Box 147``L x 90``W x 70`` HR

**Description:** Specification 2: Refer to FSA specification descriptions

**Rank**

**Vendor**

**Price**

**Percent**

FSA20-VEF14.01, Ambulances & Other Equipment

**Group:** Ambulance Type 1 - 4x2 Regular Cab Gas Engine

**Item:** 139, Gen-T Ambulance, Dodge Ram 3500 GT-147 / Modular Box 147``L x 90``W x 70`` HR

**Description:** Specification 2: Refer to FSA specification descriptions

Rank	Vendor	Price	Percent
------	--------	-------	---------

FSA20-VEF14.01, Ambulances & Other Equipment

**Group:** Ambulance Type 1 - 4x2 Regular Cab Gas Engine

**Item:** 140, Gen-T Ambulance, Dodge Ram 4500 GT-147 / Modular Box 147``L x 90``W x 70`` HR

**Description:** Specification 2: Refer to FSA specification descriptions

Rank	Vendor	Price	Percent
------	--------	-------	---------



FSA20-VEF14.01, Ambulances & Other Equipment

**Group:** Ambulance Type 1 - 4x2 Regular Cab Gas Engine

**Item:** 141, Gen-T Ambulance, Dodge Ram 5500 GT-147 / Modular Box 147``L x 90``W x 70`` HR

**Description:** Specification 2: Refer to FSA specification descriptions

Rank	Vendor	Price	Percent
------	--------	-------	---------

FSA20-VEF14.01, Ambulances & Other Equipment

**Group:** Ambulance Type 1 - 4x2 Regular Cab Gas Engine

**Item:** 142, Gen-T Ambulance, Chevrolet 3500 GT-147 / Modular Box 147``L x 90``W x 70`` HR

**Description:** Specification 2: Refer to FSA specification descriptions

**Rank**

**Vendor**

**Price**

**Percent**

FSA20-VEF14.01, Ambulances & Other Equipment

**Group:** Ambulance Type 1 - 4x2 Regular Cab Gas Engine

**Item:** 143, Gen-T Ambulance, Ford F-350 GT-154 / Modular Box 154``L x 94``W x 72`` HR

**Description:** Specification 2: Refer to FSA specification descriptions

<b>Rank</b>	<b>Vendor</b>	<b>Price</b>	<b>Percent</b>
Primary	Gen T, LLC	\$156,439.00	0.00%

FSA20-VEF14.01, Ambulances & Other Equipment

**Group:** Ambulance Type 1 - 4x2 Regular Cab Gas Engine

**Item:** 144, Gen-T Ambulance, Ford F-450 GT-154 / Modular Box 154``L x 94``W x 72`` HR

**Description:** Specification 2: Refer to FSA specification descriptions

Rank	Vendor	Price	Percent
------	--------	-------	---------

FSA20-VEF14.01, Ambulances & Other Equipment

**Group:** Ambulance Type 1 - 4x2 Regular Cab Gas Engine

**Item:** 145, Gen-T Ambulance, Ford F-550 GT-154 / Modular Box 154``L x 94``W x 72`` HR

**Description:** Specification 2: Refer to FSA specification descriptions

**Rank**

**Vendor**

**Price**

**Percent**

FSA20-VEF14.01, Ambulances & Other Equipment

**Group:** Ambulance Type 1 - 4x2 Regular Cab Gas Engine

**Item:** 146, Gen-T Ambulance, Dodge Ram 3500 GT-154 / Modular Box 154``L x 94``W x 72`` HR

**Description:** Specification 2: Refer to FSA specification descriptions

Rank	Vendor	Price	Percent
------	--------	-------	---------

FSA20-VEF14.01, Ambulances & Other Equipment

**Group:** Ambulance Type 1 - 4x2 Regular Cab Gas Engine

**Item:** 147, Gen-T Ambulance, Dodge Ram 4500 GT-154 / Modular Box 154``L x 94``W x 72`` HR

**Description:** Specification 2: Refer to FSA specification descriptions

Rank	Vendor	Price	Percent
------	--------	-------	---------

FSA20-VEF14.01, Ambulances & Other Equipment

**Group:** Ambulance Type 1 - 4x2 Regular Cab Gas Engine

**Item:** 148, Gen-T Ambulance, Dodge Ram 5500 GT-154 / Modular Box 154``L x 94``W x 72`` HR

**Description:** Specification 2: Refer to FSA specification descriptions

Rank	Vendor	Price	Percent
------	--------	-------	---------



FSA20-VEF14.01, Ambulances & Other Equipment

**Group:** Ambulance Type 1 - 4x2 Regular Cab Gas Engine

**Item:** 149, Gen-T Ambulance, Chevrolet 3500 GT-154 / Modular Box 154``L x 94``W x 72`` HR

**Description:** Specification 2: Refer to FSA specification descriptions

Rank	Vendor	Price	Percent
Primary	Gen T, LLC	\$143,077.00	0.00%

FSA20-VEF14.01, Ambulances & Other Equipment

**Group:** Ambulance Type 1 - 4x2 Regular Cab Gas Engine

**Item:** 150, Gen-T Ambulance, Ford F-450 GT-158 / Modular Box 158``L x 96``W x 72``HR

**Description:** Specification 2: Refer to FSA specification descriptions

Rank	Vendor	Price	Percent
Primary	Gen T, LLC	\$182,162.00	0.00%

FSA20-VEF14.01, Ambulances & Other Equipment

**Group:** Ambulance Type 1 - 4x2 Regular Cab Gas Engine

**Item:** 151, Gen-T Ambulance, Ford F-550 GT-158 / Modular Box 158``L x 96``W x 72``HR

**Description:** Specification 2: Refer to FSA specification descriptions

Rank	Vendor	Price	Percent
------	--------	-------	---------

FSA20-VEF14.01, Ambulances & Other Equipment

**Group:** Ambulance Type 1 - 4x2 Regular Cab Gas Engine

**Item:** 152, Gen-T Ambulance, Dodge Ram 4500 GT-158 / Modular Box 158``L x 96``W x 72``HR

**Description:** Specification 2: Refer to FSA specification descriptions

Rank	Vendor	Price	Percent
------	--------	-------	---------

FSA20-VEF14.01, Ambulances & Other Equipment

**Group:** Ambulance Type 1 - 4x2 Regular Cab Gas Engine

**Item:** 153, Gen-T Ambulance, Dodge Ram 5500 GT-158 / Modular Box 158``L x 96``W x 72``HR

**Description:** Specification 2: Refer to FSA specification descriptions

Rank	Vendor	Price	Percent
------	--------	-------	---------

FSA20-VEF14.01, Ambulances & Other Equipment

**Group:** Ambulance Type 1 - 4x2 Regular Cab Gas Engine

**Item:** 154, Gen-T Ambulance, Ford F-450 GT-171 / Modular Box 171``L x 96``W x 74``HR

**Description:** Specification 2: Refer to FSA specification descriptions

<b>Rank</b>	<b>Vendor</b>	<b>Price</b>	<b>Percent</b>
Primary	Gen T, LLC	\$185,596.00	0.00%

FSA20-VEF14.01, Ambulances & Other Equipment

**Group:** Ambulance Type 1 - 4x2 Regular Cab Gas Engine

**Item:** 155, Gen-T Ambulance, Ford F-550 GT-171 / Modular Box 171``L x 96``W x 74``HR

**Description:** Specification 2: Refer to FSA specification descriptions

Rank	Vendor	Price	Percent
Primary	Gen T, LLC	\$189,743.00	0.00%

FSA20-VEF14.01, Ambulances & Other Equipment

**Group:** Ambulance Type 1 - 4x2 Regular Cab Gas Engine

**Item:** 156, Gen-T Ambulance, Dodge Ram 4500 GT-171 / Modular Box 171``L x 96``W x 74``HR

**Description:** Specification 2: Refer to FSA specification descriptions

Rank	Vendor	Price	Percent
------	--------	-------	---------



FSA20-VEF14.01, Ambulances & Other Equipment

**Group:** Ambulance Type 1 - 4x2 Regular Cab Gas Engine

**Item:** 157, Gen-T Ambulance, Dodge Ram 5500 GT-171 / Modular Box 171``L x 96``W x 74``HR

**Description:** Specification 2: Refer to FSA specification descriptions

**Rank**

**Vendor**

**Price**

**Percent**

FSA20-VEF14.01, Ambulances & Other Equipment

**Group:** Ambulance Type 1 - 4x2 Regular Cab Gas Engine

**Item:** 158, Medix, Chevrolet 3500 / Modular Box 146``x90``x68`` HR

**Description:** Specification 2: Refer to FSA specification descriptions

Rank	Vendor	Price	Percent
Primary	Medix Specialty Vehicles, LLC	\$120,347.00	0.00%

FSA20-VEF14.01, Ambulances & Other Equipment

**Group:** Ambulance Type 1 - 4x2 Regular Cab Gas Engine

**Item:** 159, Medix, Ford F-350 / Modular Box 146``x90``x68`` HR

**Description:** Specification 2: Refer to FSA specification descriptions

Rank	Vendor	Price	Percent
Primary	Medix Specialty Vehicles, LLC	\$123,403.00	0.00%

FSA20-VEF14.01, Ambulances & Other Equipment

**Group:** Ambulance Type 1 - 4x2 Regular Cab Gas Engine

**Item:** 160, Medix, Ford F-350 / Modular Box 153``x94``x72`` HR

**Description:** Specification 2: Refer to FSA specification descriptions

Rank	Vendor	Price	Percent
Primary	Medix Specialty Vehicles, LLC	\$130,392.00	0.00%

FSA20-VEF14.01, Ambulances & Other Equipment

**Group:** Ambulance Type 1 - 4x2 Regular Cab Gas Engine

**Item:** 161, Medix, Chevrolet 3500 / Modular Box 153``x94``x72`` HR

**Description:** Specification 2: Refer to FSA specification descriptions

Rank	Vendor	Price	Percent
Primary	Medix Specialty Vehicles, LLC	\$126,402.00	0.00%

FSA20-VEF14.01, Ambulances & Other Equipment

**Group:** Ambulance Type 1 - 4x2 Regular Cab Gas Engine

**Item:** 162, Medix, Ram 3500 / Modular Box 153``x94``x72`` HR

**Description:** Specification 2: Refer to FSA specification descriptions

Rank	Vendor	Price	Percent
------	--------	-------	---------

FSA20-VEF14.01, Ambulances & Other Equipment

**Group:** Ambulance Type 1 - 4x2 Regular Cab Gas Engine

**Item:** 163, Medix, Ford F-450 / Modular Box 157``x96``x72`` HR

**Description:** Specification 2: Refer to FSA specification descriptions

<b>Rank</b>	<b>Vendor</b>	<b>Price</b>	<b>Percent</b>
Primary	Medix Specialty Vehicles, LLC	\$148,983.00	0.00%

FSA20-VEF14.01, Ambulances & Other Equipment

**Group:** Ambulance Type 1 - 4x2 Regular Cab Gas Engine

**Item:** 164, Medix, Ram 4500 / Modular Box 157``x96``x72`` HR

**Description:** Specification 2: Refer to FSA specification descriptions

Rank	Vendor	Price	Percent
------	--------	-------	---------



FSA20-VEF14.01, Ambulances & Other Equipment

**Group:** Ambulance Type 1 - 4x2 Regular Cab Gas Engine

**Item:** 165, Medix, Ford F-450 / Modular Box 170`x96`x72` HR

**Description:** Specification 2: Refer to FSA specification descriptions

Rank	Vendor	Price	Percent
Primary	Medix Specialty Vehicles, LLC	\$158,725.00	0.00%

FSA20-VEF14.01, Ambulances & Other Equipment

**Group:** Ambulance Type 1 - 4x2 Regular Cab Gas Engine

**Item:** 166, Medix, Ram 4500 / Modular Box 170``x96``x72`` HR

**Description:** Specification 2: Refer to FSA specification descriptions

Rank	Vendor	Price	Percent
------	--------	-------	---------

FSA20-VEF14.01, Ambulances & Other Equipment

**Group:** Ambulance Type 1 - 4x2 Regular Cab Gas Engine

**Item:** 167, Medix, Ford F-550 / Modular Box 170`x96`x72` HR

**Description:** Specification 2: Refer to FSA specification descriptions

Rank	Vendor	Price	Percent
Primary	Medix Specialty Vehicles, LLC	\$159,549.00	0.00%

FSA20-VEF14.01, Ambulances & Other Equipment

**Group:** Ambulance Type 1 - 4x2 Regular Cab Gas Engine

**Item:** 168, Medix, Ram 5500 / Modular Box 170``x96``x72`` HR

**Description:** Specification 2: Refer to FSA specification descriptions

Rank	Vendor	Price	Percent
------	--------	-------	---------

FSA20-VEF14.01, Ambulances & Other Equipment

**Group:** Ambulance Type 1 - 4x2 Regular Cab Gas Engine

**Item:** 169, Life Line Ambulance, Ford F-550 / Modular Box 171`x96`x72` HR

**Description:** Specification 2: Refer to FSA specification descriptions

Rank	Vendor	Price	Percent
Primary	Quality Emergency Vehichles	\$190,725.00	0.00%

FSA20-VEF14.01, Ambulances & Other Equipment

**Group:** Ambulance Type 1 - 4x2 Regular Cab Gas Engine

**Item:** 170, Horton, Chevrolet C3500 HD / Modular Box 149``x96``x72``

**Description:** Specification 2: Refer to FSA specification descriptions

Rank	Vendor	Price	Percent
Primary	REV RTC	\$172,554.52	0.00%

FSA20-VEF14.01, Ambulances & Other Equipment

**Group:** Ambulance Type 1 - 4x2 Regular Cab Gas Engine

**Item:** 171, Horton, Ford F-350 - 453 / Modular Box 149``x96``x72``

**Description:** Specification 2: Refer to FSA specification descriptions

<b>Rank</b>	<b>Vendor</b>	<b>Price</b>	<b>Percent</b>
Primary	REV RTC	\$184,480.84	0.00%

FSA20-VEF14.01, Ambulances & Other Equipment

**Group:** Ambulance Type 1 - 4x2 Regular Cab Gas Engine

**Item:** 172, Horton, Ford F-450 - 453 / Modular Box 149``x96``x72``

**Description:** Specification 2: Refer to FSA specification descriptions

<b>Rank</b>	<b>Vendor</b>	<b>Price</b>	<b>Percent</b>
Primary	REV RTC	\$172,863.92	0.00%



FSA20-VEF14.01, Ambulances & Other Equipment

**Group:** Ambulance Type 1 - 4x2 Regular Cab Gas Engine

**Item:** 173, Horton, Ford F-450 - 457 / Modular Box 157``x96``x72``

**Description:** Specification 2: Refer to FSA specification descriptions

Rank	Vendor	Price	Percent
Primary	REV RTC	\$190,626.16	0.00%

FSA20-VEF14.01, Ambulances & Other Equipment

**Group:** Ambulance Type 1 - 4x2 Regular Cab Gas Engine

**Item:** 174, Horton, Ford F-450 - 603 / Modular Box 157``x96``x72``

**Description:** Specification 2: Refer to FSA specification descriptions

Rank	Vendor	Price	Percent
Primary	REV RTC	\$190,885.12	0.00%

FSA20-VEF14.01, Ambulances & Other Equipment

**Group:** Ambulance Type 1 - 4x2 Regular Cab Gas Engine

**Item:** 175, Horton, Ford F-450 - 623 / Modular Box 173``x96``x72``

**Description:** Specification 2: Refer to FSA specification descriptions

Rank	Vendor	Price	Percent
Primary	REV RTC	\$192,133.91	0.00%

FSA20-VEF14.01, Ambulances & Other Equipment

**Group:** Ambulance Type 1 - 4x2 Regular Cab Gas Engine

**Item:** 176, Horton, Ford F-550 - 603 / Modular Box 167``x96``x72``

**Description:** Specification 2: Refer to FSA specification descriptions

<b>Rank</b>	<b>Vendor</b>	<b>Price</b>	<b>Percent</b>
Primary	REV RTC	\$190,866.06	0.00%

FSA20-VEF14.01, Ambulances & Other Equipment

**Group:** Ambulance Type 1 - 4x2 Regular Cab Gas Engine

**Item:** 177, Horton, Ford F-550 - 623 / Modular Box 173``x96``x72``

**Description:** Specification 2: Refer to FSA specification descriptions

<b>Rank</b>	<b>Vendor</b>	<b>Price</b>	<b>Percent</b>
Primary	REV RTC	\$192,114.85	0.00%

FSA20-VEF14.01, Ambulances & Other Equipment

**Group:** Ambulance Type 1 - 4x2 Regular Cab Gas Engine

**Item:** 178, Horton, Dodge Ram 3500 - 453 / Modular Box 149``x96``x72``

**Description:** Specification 2: Refer to FSA specification descriptions

Rank	Vendor	Price	Percent
------	--------	-------	---------

FSA20-VEF14.01, Ambulances & Other Equipment

**Group:** Ambulance Type 1 - 4x2 Regular Cab Gas Engine

**Item:** 179, Horton, Dodge Ram 4500 - 453 / Modular Box 149``x96``x 72``

**Description:** Specification 2: Refer to FSA specification descriptions

<b>Rank</b>	<b>Vendor</b>	<b>Price</b>	<b>Percent</b>
Primary	REV RTC	\$174,474.80	0.00%

FSA20-VEF14.01, Ambulances & Other Equipment

**Group:** Ambulance Type 1 - 4x2 Regular Cab Gas Engine

**Item:** 180, Horton, Dodge Ram 4500 - 457 / Modular Box 157`x96`x72`

**Description:** Specification 2: Refer to FSA specification descriptions

Rank	Vendor	Price	Percent
Primary	REV RTC	\$187,950.34	0.00%



FSA20-VEF14.01, Ambulances & Other Equipment

**Group:** Ambulance Type 1 - 4x2 Regular Cab Gas Engine

**Item:** 181, Horton, Dodge Ram 4500 - 603 / Modular Box 157`x96`x72`

**Description:** Specification 2: Refer to FSA specification descriptions

Rank	Vendor	Price	Percent
Primary	REV RTC	\$189,653.14	0.00%

FSA20-VEF14.01, Ambulances & Other Equipment

**Group:** Ambulance Type 1 - 4x2 Regular Cab Gas Engine

**Item:** 182, Horton, Dodge Ram 5500 - 603 / Modular Box 157`x96`x72`

**Description:** Specification 2: Refer to FSA specification descriptions

Rank	Vendor	Price	Percent
Primary	REV RTC	\$189,640.81	0.00%

FSA20-VEF14.01, Ambulances & Other Equipment

**Group:** Ambulance Type 1 - 4x2 Regular Cab Gas Engine

**Item:** 183, Horton, Dodge Ram 5500 - 623 / Modular Box 173`x96`x72`

**Description:** Specification 2: Refer to FSA specification descriptions

<b>Rank</b>	<b>Vendor</b>	<b>Price</b>	<b>Percent</b>
Primary	REV RTC	\$190,764.05	0.00%

FSA20-VEF14.01, Ambulances & Other Equipment

**Group:** Ambulance Type 1 - 4x2 Regular Cab Gas Engine

**Item:** 184, Road Rescue, Ford F-350 / Modular Box 153``x95``67``

**Description:** Specification 2: Refer to FSA specification descriptions

Rank	Vendor	Price	Percent
Primary	REV RTC	\$140,779.46	0.00%

FSA20-VEF14.01, Ambulances & Other Equipment

**Group:** Ambulance Type 1 - 4x2 Regular Cab Gas Engine

**Item:** 185, Road Rescue, Ford F-450 / Modular Box 150``x92``x68``

**Description:** Specification 2: Refer to FSA specification descriptions

Rank	Vendor	Price	Percent
Primary	REV RTC	\$168,147.67	0.00%

FSA20-VEF14.01, Ambulances & Other Equipment

**Group:** Ambulance Type 1 - 4x2 Regular Cab Gas Engine

**Item:** 186, Road Rescue, Ford F-450 / Modular Box 150``x96``x72``

**Description:** Specification 2: Refer to FSA specification descriptions

Rank	Vendor	Price	Percent
Primary	REV RTC	\$173,412.43	0.00%

FSA20-VEF14.01, Ambulances & Other Equipment

**Group:** Ambulance Type 1 - 4x2 Regular Cab Gas Engine

**Item:** 187, Road Rescue, Ford F-450 / Modular Box 168``x96``x72``

**Description:** Specification 2: Refer to FSA specification descriptions

Rank	Vendor	Price	Percent
Primary	REV RTC	\$177,781.34	0.00%

FSA20-VEF14.01, Ambulances & Other Equipment

**Group:** Ambulance Type 1 - 4x2 Regular Cab Gas Engine

**Item:** 188, Road Rescue, Ford F-450 / Modular Box 153``x95``x67``

**Description:** Specification 2: Refer to FSA specification descriptions

Rank	Vendor	Price	Percent
Primary	REV RTC	\$157,478.32	0.00%



FSA20-VEF14.01, Ambulances & Other Equipment

**Group:** Ambulance Type 1 - 4x2 Regular Cab Gas Engine

**Item:** 189, Road Rescue, Ford F-450 / Modular Box 170``x95``x72``

**Description:** Specification 2: Refer to FSA specification descriptions

<b>Rank</b>	<b>Vendor</b>	<b>Price</b>	<b>Percent</b>
Primary	REV RTC	\$161,751.09	0.00%

FSA20-VEF14.01, Ambulances & Other Equipment

**Group:** Ambulance Type 1 - 4x2 Regular Cab Gas Engine

**Item:** 190, Road Rescue, Ford F-550 / Modular Box 168``x96``x72``

**Description:** Specification 2: Refer to FSA specification descriptions

Rank	Vendor	Price	Percent
Primary	REV RTC	\$178,847.52	0.00%

FSA20-VEF14.01, Ambulances & Other Equipment

**Group:** Ambulance Type 1 - 4x2 Regular Cab Gas Engine

**Item:** 191, Road Rescue, Ford F-550 / Modular Box 170``x95``x72``

**Description:** Specification 2: Refer to FSA specification descriptions

<b>Rank</b>	<b>Vendor</b>	<b>Price</b>	<b>Percent</b>
Primary	REV RTC	\$161,751.09	0.00%

FSA20-VEF14.01, Ambulances & Other Equipment

**Group:** Ambulance Type 1 - 4x2 Regular Cab Gas Engine

**Item:** 192, Wheeled Coach, Chevrolet 3500 / Modular Box 153`` X 95`` X 67``

**Description:** Specification 2: Refer to FSA specification descriptions

<b>Rank</b>	<b>Vendor</b>	<b>Price</b>	<b>Percent</b>
Primary	REV RTC	\$134,908.36	0.00%

FSA20-VEF14.01, Ambulances & Other Equipment

**Group:** Ambulance Type 1 - 4x2 Regular Cab Gas Engine

**Item:** 193, Wheeled Coach, Dodge 3500 / Modular Box 153`` X 95`` X 67``

**Description:** Specification 2: Refer to FSA specification descriptions

Rank	Vendor	Price	Percent
Primary	REV RTC	\$132,808.58	0.00%

FSA20-VEF14.01, Ambulances & Other Equipment

**Group:** Ambulance Type 1 - 4x2 Regular Cab Gas Engine

**Item:** 194, Wheeled Coach, Ford F-350 / Modular Box 153`` X 95`` X 67``

**Description:** Specification 2: Refer to FSA specification descriptions

Rank	Vendor	Price	Percent
Primary	REV RTC	\$137,386.15	0.00%

FSA20-VEF14.01, Ambulances & Other Equipment

**Group:** Ambulance Type 1 - 4x2 Regular Cab Gas Engine

**Item:** 195, Wheeled Coach, Ford F-450 / Modular Box 153`` X 95`` X 67``

**Description:** Specification 2: Refer to FSA specification descriptions

Rank	Vendor	Price	Percent
------	--------	-------	---------

FSA20-VEF14.01, Ambulances & Other Equipment

**Group:** Ambulance Type 1 - 4x2 Regular Cab Gas Engine

**Item:** 196, Wheeled Coach, Ford F-450 / Modular Box 170`` X 95`` X 72``

**Description:** Specification 2: Refer to FSA specification descriptions

Rank	Vendor	Price	Percent
------	--------	-------	---------



FSA20-VEF14.01, Ambulances & Other Equipment

**Group:** Ambulance Type 1 - 4x2 Regular Cab Gas Engine

**Item:** 197, PL Custom Emergency Vehicles, Ford F-550 / Modular Box 170``x72`` HR

**Description:** Specification 2: Refer to FSA specification descriptions

Rank	Vendor	Price	Percent
Primary	South Florida Emergency Vehicles LLC.	\$185,345.00	0.00%

FSA20-VEF14.01, Ambulances & Other Equipment

**Group:** Ambulance Type 1 - 4x2 Regular Cab Gas Engine

**Item:** 198, Braun, Ford F-350 Express Plus

**Description:** Specification 2: Refer to FSA specification descriptions

Rank	Vendor	Price	Percent
Primary	Ten-8 Fire Equipment, Inc.	\$165,926.00	0.00%

FSA20-VEF14.01, Ambulances & Other Equipment

**Group:** Ambulance Type 1 - 4x2 Regular Cab Gas Engine

**Item:** 199, Braun, Ford F-450 Express Plus

**Description:** Specification 2: Refer to FSA specification descriptions

<b>Rank</b>	<b>Vendor</b>	<b>Price</b>	<b>Percent</b>
Primary	Ten-8 Fire Equipment, Inc.	\$177,751.00	0.00%

FSA20-VEF14.01, Ambulances & Other Equipment

**Group:** Ambulance Type 1 - 4x2 Regular Cab Gas Engine

**Item:** 200, Braun, Ford F-450 Liberty

**Description:** Specification 2: Refer to FSA specification descriptions

Rank	Vendor	Price	Percent
Primary	Ten-8 Fire Equipment, Inc.	\$190,596.00	0.00%

FSA20-VEF14.01, Ambulances & Other Equipment

**Group:** Ambulance Type 1 - 4x2 Regular Cab Gas Engine

**Item:** 201, Braun, Ford F-450 Chief XL

**Description:** Specification 2: Refer to FSA specification descriptions

Rank	Vendor	Price	Percent
Primary	Ten-8 Fire Equipment, Inc.	\$208,715.00	0.00%

FSA20-VEF14.01, Ambulances & Other Equipment

**Group:** Ambulance Type 1 - 4x2 Regular Cab Gas Engine

**Item:** 202, Braun, Ford F-550 Chief XL

**Description:** Specification 2: Refer to FSA specification descriptions

Rank	Vendor	Price	Percent
Primary	Ten-8 Fire Equipment, Inc.	\$210,170.00	0.00%

FSA20-VEF14.01, Ambulances & Other Equipment

**Group:** Ambulance Type 1 - 4x2 Regular Cab Gas Engine

**Item:** 203, Braun, Chevrolet CK3500 Express Plus

**Description:** Specification 2: Refer to FSA specification descriptions

Rank	Vendor	Price	Percent
Primary	Ten-8 Fire Equipment, Inc.	\$163,345.00	0.00%

FSA20-VEF14.01, Ambulances & Other Equipment

**Group:** Ambulance Type 1 - 4x2 Regular Cab Gas Engine

**Item:** 204, Braun, Dodge Ram 4500 Express Plus

**Description:** Specification 2: Refer to FSA specification descriptions

Rank	Vendor	Price	Percent
Primary	Ten-8 Fire Equipment, Inc.	\$183,712.00	0.00%



FSA20-VEF14.01, Ambulances & Other Equipment

**Group:** Ambulance Type 1 - 4x2 Regular Cab Gas Engine

**Item:** 205, Braun, Dodge Ram 4500 Express Plus

**Description:** Specification 2: Refer to FSA specification descriptions

Rank	Vendor	Price	Percent
Primary	Ten-8 Fire Equipment, Inc.	\$170,859.00	0.00%

FSA20-VEF14.01, Ambulances & Other Equipment

**Group:** Ambulance Type 1 - 4x2 Regular Cab Gas Engine

**Item:** 206, Braun, Dodge Ram 4500 Chief XL

**Description:** Specification 2: Refer to FSA specification descriptions

Rank	Vendor	Price	Percent
Primary	Ten-8 Fire Equipment, Inc.	\$200,871.00	0.00%

FSA20-VEF14.01, Ambulances & Other Equipment

**Group:** Ambulance Type 1 - 4x2 Regular Cab Gas Engine

**Item:** 207, Braun, Dodge Ram 5500 Chief XL

**Description:** Specification 2: Refer to FSA specification descriptions

Rank	Vendor	Price	Percent
Primary	Ten-8 Fire Equipment, Inc.	\$201,991.00	0.00%

FSA20-VEF14.01, Ambulances & Other Equipment

**Group:** Ambulance Type 1 - 4x2 Regular Cab Gas Engine

**Item:** 208, Demers, Ford F-350 MXP150

**Description:** Specification 2: Refer to FSA specification descriptions

Rank	Vendor	Price	Percent
Primary	Ten-8 Fire Equipment, Inc.	\$160,114.00	0.00%

FSA20-VEF14.01, Ambulances & Other Equipment

**Group:** Ambulance Type 1 - 4x2 Regular Cab Gas Engine

**Item:** 209, Demers, Ford F-450 MXP150

**Description:** Specification 2: Refer to FSA specification descriptions

Rank	Vendor	Price	Percent
Primary	Ten-8 Fire Equipment, Inc.	\$173,138.00	0.00%

FSA20-VEF14.01, Ambulances & Other Equipment

**Group:** Ambulance Type 1 - 4x2 Regular Cab Gas Engine

**Item:** 210, Demers, Ford F-450 MXP170

**Description:** Specification 2: Refer to FSA specification descriptions

<b>Rank</b>	<b>Vendor</b>	<b>Price</b>	<b>Percent</b>
Primary	Ten-8 Fire Equipment, Inc.	\$187,629.00	0.00%

FSA20-VEF14.01, Ambulances & Other Equipment

**Group:** Ambulance Type 1 - 4x2 Regular Cab Gas Engine

**Item:** 211, Demers, Ford F-550 MXP170

**Description:** Specification 2: Refer to FSA specification descriptions

Rank	Vendor	Price	Percent
Primary	Ten-8 Fire Equipment, Inc.	\$189,399.00	0.00%

FSA20-VEF14.01, Ambulances & Other Equipment

**Group:** Ambulance Type 1 - 4x2 Regular Cab Gas Engine

**Item:** 212, Demers, Chevrolet CK3500 MXP150

**Description:** Specification 2: Refer to FSA specification descriptions

Rank	Vendor	Price	Percent
Primary	Ten-8 Fire Equipment, Inc.	\$154,609.00	0.00%



FSA20-VEF14.01, Ambulances & Other Equipment

**Group:** Ambulance Type 1 - 4x2 Regular Cab Gas Engine

**Item:** 213, Demers, Dodge Ram 4500 MXP150

**Description:** Specification 2: Refer to FSA specification descriptions

<b>Rank</b>	<b>Vendor</b>	<b>Price</b>	<b>Percent</b>
Primary	Ten-8 Fire Equipment, Inc.	\$169,993.00	0.00%

FSA20-VEF14.01, Ambulances & Other Equipment

**Group:** Ambulance Type 1 - 4x2 Regular Cab Gas Engine

**Item:** 214, Demers, Dodge Ram 4500 MXP170

**Description:** Specification 2: Refer to FSA specification descriptions

Rank	Vendor	Price	Percent
Primary	Ten-8 Fire Equipment, Inc.	\$183,820.00	0.00%

FSA20-VEF14.01, Ambulances & Other Equipment

**Group:** Ambulance Type 1 - 4x2 Regular Cab Gas Engine

**Item:** 215, Demers, Dodge Ram 5500 MXP170

**Description:** Specification 2: Refer to FSA specification descriptions

<b>Rank</b>	<b>Vendor</b>	<b>Price</b>	<b>Percent</b>
Primary	Ten-8 Fire Equipment, Inc.	\$184,916.00	0.00%

FSA20-VEF14.01, Ambulances & Other Equipment

**Group:** Ambulance Type 1 - 4x2 Regular Cab Gas Engine

**Item:** 216, Osage, Ford F-350 Warrior

**Description:** Specification 2: Refer to FSA specification descriptions

Rank	Vendor	Price	Percent
------	--------	-------	---------

FSA20-VEF14.01, Ambulances & Other Equipment

**Group:** Ambulance Type 1 - 4x2 Regular Cab Gas Engine

**Item:** 217, Osage, Ford F-450 Warrior

**Description:** Specification 2: Refer to FSA specification descriptions

Rank	Vendor	Price	Percent
Primary	Ten-8 Fire Equipment, Inc.	\$153,169.00	0.00%

FSA20-VEF14.01, Ambulances & Other Equipment

**Group:** Ambulance Type 1 - 4x2 Regular Cab Gas Engine

**Item:** 218, Osage, Ford F-450 Super Warrior

**Description:** Specification 2: Refer to FSA specification descriptions

Rank	Vendor	Price	Percent
------	--------	-------	---------

FSA20-VEF14.01, Ambulances & Other Equipment

**Group:** Ambulance Type 1 - 4x2 Regular Cab Gas Engine

**Item:** 219, Osage, Ford F-550 Super Warrior

**Description:** Specification 2: Refer to FSA specification descriptions

Rank	Vendor	Price	Percent
Primary	Ten-8 Fire Equipment, Inc.	\$162,630.00	0.00%

FSA20-VEF14.01, Ambulances & Other Equipment

**Group:** Ambulance Type 1 - 4x2 Regular Cab Gas Engine

**Item:** 220, Osage, Dodge Ram 4500 Warrior

**Description:** Specification 2: Refer to FSA specification descriptions

Rank	Vendor	Price	Percent
Primary	Ten-8 Fire Equipment, Inc.	\$153,378.00	0.00%



FSA20-VEF14.01, Ambulances & Other Equipment

**Group:** Ambulance Type 1 - 4x2 Regular Cab Gas Engine

**Item:** 221, Osage, Dodge Ram 4500 Super Warrior

**Description:** Specification 2: Refer to FSA specification descriptions

Rank	Vendor	Price	Percent
------	--------	-------	---------

FSA20-VEF14.01, Ambulances & Other Equipment

**Group:** Ambulance Type 1 - 4x2 Regular Cab Gas Engine

**Item:** 222, Osage, Dodge Ram 5500 Super Warrior

**Description:** Specification 2: Refer to FSA specification descriptions

Rank	Vendor	Price	Percent
Primary	Ten-8 Fire Equipment, Inc.	\$162,944.00	0.00%

FSA20-VEF14.01, Ambulances & Other Equipment

**Group:** Ambulance Type 1 - 4x2 Regular Cab Gas Engine

**Item:** 223, Crestline, Ford F-350 CCL 150

**Description:** Specification 2: Refer to FSA specification descriptions

Rank	Vendor	Price	Percent
Primary	Ten-8 Fire Equipment, Inc.	\$128,651.00	0.00%

FSA20-VEF14.01, Ambulances & Other Equipment

**Group:** Ambulance Type 1 - 4x2 Regular Cab Gas Engine

**Item:** 224, Crestline, Chevrolet CK3500 CCL 150

**Description:** Specification 2: Refer to FSA specification descriptions

Rank	Vendor	Price	Percent
Primary	Ten-8 Fire Equipment, Inc.	\$135,277.00	0.00%

FSA20-VEF14.01, Ambulances & Other Equipment

**Group:** Ambulance Type 1 - 4x2 Regular Cab Gas Engine

**Item:** 225, Crestline, Dodge Ram 3500 CCL 150

**Description:** Specification 2: Refer to FSA specification descriptions

Rank	Vendor	Price	Percent
Primary	Ten-8 Fire Equipment, Inc.	\$126,935.00	0.00%

FSA20-VEF14.01, Ambulances & Other Equipment

**Group:** Ambulance Type 2 - 4x2 Van Gas Engine

**Item:** 307, ETR Ford, Ford Transit T 250 Gas Type II

**Description:** Specification 5: Refer to FSA specification descriptions

Rank	Vendor	Price	Percent
Primary	ETR, L.L.C.	\$79,074.00	0.00%

FSA20-VEF14.01, Ambulances & Other Equipment

**Group:** Ambulance Type 2 - 4x2 Van Gas Engine

**Item:** 308, ETR Chevrolet, Chevrolet G3500 Type II

**Description:** Specification 5: Refer to FSA specification descriptions

<b>Rank</b>	<b>Vendor</b>	<b>Price</b>	<b>Percent</b>
Primary	ETR, L.L.C.	\$74,547.00	0.00%

FSA20-VEF14.01, Ambulances & Other Equipment

**Group:** Ambulance Type 2 - 4x2 Van Gas Engine

**Item:** 309, FR Conversions, ProMaster 2500 (Pioneer II) / Van Area 76``x73.4``x138``

**Description:** Specification 5: Refer to FSA specification descriptions

<b>Rank</b>	<b>Vendor</b>	<b>Price</b>	<b>Percent</b>
Primary	FR CONVERSIONS INC.	\$71,800.00	0.00%



FSA20-VEF14.01, Ambulances & Other Equipment

**Group:** Ambulance Type 2 - 4x2 Van Gas Engine

**Item:** 310, FR Conversions, ProMaster 3500 Elite / Van Area 76``x73.4``x148``

**Description:** Specification 5: Refer to FSA specification descriptions

<b>Rank</b>	<b>Vendor</b>	<b>Price</b>	<b>Percent</b>
Primary	FR CONVERSIONS INC.	\$83,600.00	0.00%

FSA20-VEF14.01, Ambulances & Other Equipment

**Group:** Ambulance Type 2 - 4x2 Van Gas Engine

**Item:** 311, FR Conversions, Ford Transit 250 MR (FT) / Van Area 68``x66``x140``

**Description:** Specification 5: Refer to FSA specification descriptions

<b>Rank</b>	<b>Vendor</b>	<b>Price</b>	<b>Percent</b>
Primary	FR CONVERSIONS INC.	\$68,200.00	0.00%

FSA20-VEF14.01, Ambulances & Other Equipment

**Group:** Ambulance Type 2 - 4x2 Van Gas Engine

**Item:** 312, Gen-T Ambulance, Promaster GT Pro / 159``WB- HR

**Description:** Specification 5: Refer to FSA specification descriptions

Rank	Vendor	Price	Percent
------	--------	-------	---------

FSA20-VEF14.01, Ambulances & Other Equipment

**Group:** Ambulance Type 2 - 4x2 Van Gas Engine

**Item:** 313, Medix, Ford Transit 250 / 68 1/2`` HR

**Description:** Specification 5: Refer to FSA specification descriptions

Rank	Vendor	Price	Percent
Primary	Medix Specialty Vehicles, LLC	\$72,966.00	0.00%

FSA20-VEF14.01, Ambulances & Other Equipment

**Group:** Ambulance Type 2 - 4x2 Van Gas Engine

**Item:** 314, Medix, Chevrolet / 66`` HR

**Description:** Specification 5: Refer to FSA specification descriptions

Rank	Vendor	Price	Percent
Primary	Medix Specialty Vehicles, LLC	\$67,378.00	0.00%

FSA20-VEF14.01, Ambulances & Other Equipment

**Group:** Ambulance Type 2 - 4x2 Van Gas Engine

**Item:** 315, Life Line Ambulance, Ford Transit / TSE Mid Roof Height Van

**Description:** Specification 5: Refer to FSA specification descriptions

Rank	Vendor	Price	Percent
Primary	Quality Emergency Vehichles	\$119,593.00	0.00%

FSA20-VEF14.01, Ambulances & Other Equipment

**Group:** Ambulance Type 2 - 4x2 Van Gas Engine

**Item:** 316, Wheeled Coach, Chevrolet Van

**Description:** Specification 5: Refer to FSA specification descriptions

<b>Rank</b>	<b>Vendor</b>	<b>Price</b>	<b>Percent</b>
Primary	REV RTC	\$72,545.61	0.00%

FSA20-VEF14.01, Ambulances & Other Equipment

**Group:** Ambulance Type 2 - 4x2 Van Gas Engine

**Item:** 317, Wheeled Coach, Ford Transit HR

**Description:** Specification 5: Refer to FSA specification descriptions

Rank	Vendor	Price	Percent
Primary	REV RTC	\$87,826.65	0.00%



FSA20-VEF14.01, Ambulances & Other Equipment

**Group:** Ambulance Type 2 - 4x2 Van Gas Engine

**Item:** 318, Wheeled Coach, Ford Transit MR

**Description:** Specification 5: Refer to FSA specification descriptions

Rank	Vendor	Price	Percent
Primary	REV RTC	\$87,941.79	0.00%

FSA20-VEF14.01, Ambulances & Other Equipment

**Group:** Ambulance Type 2 - 4x2 Van Gas Engine

**Item:** 319, Demers, Ford T-250 Eco-Boost TSE

**Description:** Specification 5: Refer to FSA specification descriptions

<b>Rank</b>	<b>Vendor</b>	<b>Price</b>	<b>Percent</b>
Primary	Ten-8 Fire Equipment, Inc.	\$97,070.00	0.00%

FSA20-VEF14.01, Ambulances & Other Equipment

**Group:** Ambulance Type 2 - 4x2 Van Gas Engine

**Item:** 320, Demers, Ford T-350 Eco-Boost TSE

**Description:** Specification 5: Refer to FSA specification descriptions

Rank	Vendor	Price	Percent
------	--------	-------	---------

FSA20-VEF14.01, Ambulances & Other Equipment

**Group:** Ambulance Type 2 - 4x2 Van Gas Engine

**Item:** 321, Demers, Sprinter 2500 EXE

**Description:** Specification 5: Refer to FSA specification descriptions

**Rank**

**Vendor**

**Price**

**Percent**

FSA20-VEF14.01, Ambulances & Other Equipment

**Group:** Ambulance Type 2 - 4x2 Van Gas Engine

**Item:** 322, Demers, Sprinter 3500 EXE

**Description:** Specification 5: Refer to FSA specification descriptions

**Rank**

**Vendor**

**Price**

**Percent**

FSA20-VEF14.01, Ambulances & Other Equipment

**Group:** Ambulance Type 2 - 4x2 Van Gas Engine

**Item:** 323, Demers, Sprinter 2500 Diesel EXE

**Description:** Specification 5: Refer to FSA specification descriptions

**Rank**

**Vendor**

**Price**

**Percent**

FSA20-VEF14.01, Ambulances & Other Equipment

**Group:** Ambulance Type 2 - 4x2 Van Gas Engine

**Item:** 324, Demers, Sprinter 3500 Diesel EXE

**Description:** Specification 5: Refer to FSA specification descriptions

Rank	Vendor	Price	Percent
------	--------	-------	---------

FSA20-VEF14.01, Ambulances & Other Equipment

**Group:** Ambulance Type 2 - 4x2 Van Gas Engine

**Item:** 325, Osage, Ford Transit Travois

**Description:** Specification 5: Refer to FSA specification descriptions

Rank	Vendor	Price	Percent
Primary	Ten-8 Fire Equipment, Inc.	\$88,543.00	0.00%



FSA20-VEF14.01, Ambulances & Other Equipment

**Group:** Ambulance Type 2 - 4x2 Van Gas Engine

**Item:** 326, Osage, Sprinter Travois

**Description:** Specification 5: Refer to FSA specification descriptions

**Rank**

**Vendor**

**Price**

**Percent**

FSA20-VEF14.01, Ambulances & Other Equipment

**Group:** Ambulance Type 3 - 4x2 Cutaway Van Diesel Engine

**Item:** 399, ETR Sprinter, Sprinter 3500 Diesel / Modular Box 148``x86``x68``

**Description:** Specification 7: Refer to FSA specification descriptions

<b>Rank</b>	<b>Vendor</b>	<b>Price</b>	<b>Percent</b>
Primary	ETR, L.L.C.	\$127,918.00	0.00%

FSA20-VEF14.01, Ambulances & Other Equipment

**Group:** Ambulance Type 3 - 4x2 Cutaway Van Diesel Engine

**Item:** 400, Demers, Sprinter 3500 MX152 / Modular Box 152`` x 86`` x 72`` HR

**Description:** Specification 7: Refer to FSA specification descriptions

<b>Rank</b>	<b>Vendor</b>	<b>Price</b>	<b>Percent</b>
Primary	Ten-8 Fire Equipment, Inc.	\$165,585.00	0.00%

FSA20-VEF14.01, Ambulances & Other Equipment

**Group:** Ambulance Type 3 - 4x2 Cutaway Van Diesel Engine

**Item:** 401, Osage, Sprinter 3500 Warrior / Modular Box 144`` x 86`` x 66`` HR

**Description:** Specification 7: Refer to FSA specification descriptions

<b>Rank</b>	<b>Vendor</b>	<b>Price</b>	<b>Percent</b>
Primary	Ten-8 Fire Equipment, Inc.	\$144,672.00	0.00%

FSA20-VEF14.01, Ambulances & Other Equipment

**Group:** Ambulance Type 3 - 4x2 Cutaway Van Gas Engine

**Item:** 327, ETR Ford, Ford E-350 / Modular Box 145``x92``x68``

**Description:** Specification 6: Refer to FSA specification descriptions

Rank	Vendor	Price	Percent
Primary	ETR, L.L.C.	\$115,218.00	0.00%

FSA20-VEF14.01, Ambulances & Other Equipment

**Group:** Ambulance Type 3 - 4x2 Cutaway Van Gas Engine

**Item:** 328, ETR Ford, Ford E-350 / Modular Box 145``x95``x68``

**Description:** Specification 6: Refer to FSA specification descriptions

Rank	Vendor	Price	Percent
Primary	ETR, L.L.C.	\$126,676.00	0.00%

FSA20-VEF14.01, Ambulances & Other Equipment

**Group:** Ambulance Type 3 - 4x2 Cutaway Van Gas Engine

**Item:** 329, ETR Ford, Ford E-450 / Modular Box 172``x95``x68``

**Description:** Specification 6: Refer to FSA specification descriptions

Rank	Vendor	Price	Percent
Primary	ETR, L.L.C.	\$131,147.00	0.00%

FSA20-VEF14.01, Ambulances & Other Equipment

**Group:** Ambulance Type 3 - 4x2 Cutaway Van Gas Engine

**Item:** 330, ETR Chevrolet, Chevrolet G3500 / Modular Box 145``x92``x68``

**Description:** Specification 6: Refer to FSA specification descriptions

Rank	Vendor	Price	Percent
Primary	ETR, L.L.C.	\$113,168.00	0.00%



FSA20-VEF14.01, Ambulances & Other Equipment

**Group:** Ambulance Type 3 - 4x2 Cutaway Van Gas Engine

**Item:** 331, ETR Chevrolet, Chevrolet G4500 / Modular Box 172``x95``x68``

**Description:** Specification 6: Refer to FSA specification descriptions

<b>Rank</b>	<b>Vendor</b>	<b>Price</b>	<b>Percent</b>
Primary	ETR, L.L.C.	\$129,087.00	0.00%

FSA20-VEF14.01, Ambulances & Other Equipment

**Group:** Ambulance Type 3 - 4x2 Cutaway Van Gas Engine

**Item:** 332, Excellance , Chevrolet G3500 / Modular Box 96``x166``x69

**Description:** Specification 6: Refer to FSA specification descriptions

<b>Rank</b>	<b>Vendor</b>	<b>Price</b>	<b>Percent</b>
Primary	Excellance, Inc	\$153,105.00	0.00%

FSA20-VEF14.01, Ambulances & Other Equipment

**Group:** Ambulance Type 3 - 4x2 Cutaway Van Gas Engine

**Item:** 333, Excellance , Chevrolet G4500 / Modular Box 96``x166``x69

**Description:** Specification 6: Refer to FSA specification descriptions

<b>Rank</b>	<b>Vendor</b>	<b>Price</b>	<b>Percent</b>
Primary	Excellance, Inc	\$154,006.00	0.00%

FSA20-VEF14.01, Ambulances & Other Equipment

**Group:** Ambulance Type 3 - 4x2 Cutaway Van Gas Engine

**Item:** 334, Excellance , Ford E-350 / Modular Box 168.625``x90.25``x96.25``

**Description:** Specification 6: Refer to FSA specification descriptions

Rank	Vendor	Price	Percent
Primary	Excellance, Inc	\$158,285.00	0.00%

FSA20-VEF14.01, Ambulances & Other Equipment

**Group:** Ambulance Type 3 - 4x2 Cutaway Van Gas Engine

**Item:** 335, Excellance , Ford E-450 / Modular Box 168.625``x90.25``x96.25``

**Description:** Specification 6: Refer to FSA specification descriptions

<b>Rank</b>	<b>Vendor</b>	<b>Price</b>	<b>Percent</b>
Primary	Excellance, Inc	\$163,299.00	0.00%

FSA20-VEF14.01, Ambulances & Other Equipment

**Group:** Ambulance Type 3 - 4x2 Cutaway Van Gas Engine

**Item:** 336, Frazer, Chevrolet G3500 / Modular Box 144.625``L x 86.25``H x 96.25``W

**Description:** Specification 6: Refer to FSA specification descriptions

Rank	Vendor	Price	Percent
Primary	Frazer, Ltd.	\$158,175.00	0.00%

FSA20-VEF14.01, Ambulances & Other Equipment

**Group:** Ambulance Type 3 - 4x2 Cutaway Van Gas Engine

**Item:** 337, Frazer, Ford E-350 / Modular Box 144.625`L x 86.25`H x 96.25`W

**Description:** Specification 6: Refer to FSA specification descriptions

Rank	Vendor	Price	Percent
Primary	Frazer, Ltd.	\$162,175.00	0.00%

FSA20-VEF14.01, Ambulances & Other Equipment

**Group:** Ambulance Type 3 - 4x2 Cutaway Van Gas Engine

**Item:** 338, Frazer, Chevrolet G4500 / Modular Box 144.625``L x 86.25``H x 96.25``W

**Description:** Specification 6: Refer to FSA specification descriptions

<b>Rank</b>	<b>Vendor</b>	<b>Price</b>	<b>Percent</b>
Primary	Frazer, Ltd.	\$174,300.00	0.00%



FSA20-VEF14.01, Ambulances & Other Equipment

**Group:** Ambulance Type 3 - 4x2 Cutaway Van Gas Engine

**Item:** 339, Frazer, Ford E-450 / Modular Box 144.625`L x 86.25`H x 96.25`W

**Description:** Specification 6: Refer to FSA specification descriptions

Rank	Vendor	Price	Percent
Primary	Frazer, Ltd.	\$177,550.00	0.00%

FSA20-VEF14.01, Ambulances & Other Equipment

**Group:** Ambulance Type 3 - 4x2 Cutaway Van Gas Engine

**Item:** 340, Gen-T Ambulance, Ford E-350 GT-147 / Modular Box 147``L x 90``W x 70`` HR

**Description:** Specification 6: Refer to FSA specification descriptions

**Rank**

**Vendor**

**Price**

**Percent**

FSA20-VEF14.01, Ambulances & Other Equipment

**Group:** Ambulance Type 3 - 4x2 Cutaway Van Gas Engine

**Item:** 341, Gen-T Ambulance, Chevrolet G3500 GT-147 / Modular Box 147``L x 90``W x 70`` HR

**Description:** Specification 6: Refer to FSA specification descriptions

Rank	Vendor	Price	Percent
------	--------	-------	---------

FSA20-VEF14.01, Ambulances & Other Equipment

**Group:** Ambulance Type 3 - 4x2 Cutaway Van Gas Engine

**Item:** 342, Gen-T Ambulance, Ford E-350 GT-154 / Modular Box 154``L x 94``W x 72`` HR

**Description:** Specification 6: Refer to FSA specification descriptions

Rank	Vendor	Price	Percent
Primary	Gen T, LLC	\$143,522.00	0.00%

FSA20-VEF14.01, Ambulances & Other Equipment

**Group:** Ambulance Type 3 - 4x2 Cutaway Van Gas Engine

**Item:** 343, Gen-T Ambulance, Chevrolet G3500 GT-154 / Modular Box 154``L x 94``W x 72`` HR

**Description:** Specification 6: Refer to FSA specification descriptions

Rank	Vendor	Price	Percent
Primary	Gen T, LLC	\$139,454.00	0.00%

FSA20-VEF14.01, Ambulances & Other Equipment

**Group:** Ambulance Type 3 - 4x2 Cutaway Van Gas Engine

**Item:** 344, Gen-T Ambulance, Ford E-450 GT-167 / Modular Box 158``L x 96``W x 72``HR

**Description:** Specification 6: Refer to FSA specification descriptions

Rank	Vendor	Price	Percent
Primary	Gen T, LLC	\$148,127.00	0.00%

FSA20-VEF14.01, Ambulances & Other Equipment

**Group:** Ambulance Type 3 - 4x2 Cutaway Van Gas Engine

**Item:** 345, Gen-T Ambulance, Chevrolet G4500 GT-167 / Modular Box 158``L x 96``W x 72``HR

**Description:** Specification 6: Refer to FSA specification descriptions

Rank	Vendor	Price	Percent
Primary	Gen T, LLC	\$145,546.00	0.00%

FSA20-VEF14.01, Ambulances & Other Equipment

**Group:** Ambulance Type 3 - 4x2 Cutaway Van Gas Engine

**Item:** 346, Gen-T Ambulance, Ford E-450 GT 171 / Modular Box 171``L x 96``W x 74``HR

**Description:** Specification 6: Refer to FSA specification descriptions

Rank	Vendor	Price	Percent
Primary	Gen T, LLC	\$161,696.00	0.00%



FSA20-VEF14.01, Ambulances & Other Equipment

**Group:** Ambulance Type 3 - 4x2 Cutaway Van Gas Engine

**Item:** 347, Gen-T Ambulance, Chevrolet G4500 GT 171 / Modular Box 171``L x 96``W x 74``HR

**Description:** Specification 6: Refer to FSA specification descriptions

Rank	Vendor	Price	Percent
Primary	Gen T, LLC	\$159,668.00	0.00%

FSA20-VEF14.01, Ambulances & Other Equipment

**Group:** Ambulance Type 3 - 4x2 Cutaway Van Gas Engine

**Item:** 348, Medix, Ford E-350 / Modular Box 144``x90``x70`` HR

**Description:** Specification 6: Refer to FSA specification descriptions

Rank	Vendor	Price	Percent
Primary	Medix Specialty Vehicles, LLC	\$100,279.00	0.00%

FSA20-VEF14.01, Ambulances & Other Equipment

**Group:** Ambulance Type 3 - 4x2 Cutaway Van Gas Engine

**Item:** 349, Medix, Ford E-350 / Modular Box 146``x90``x68`` HR

**Description:** Specification 6: Refer to FSA specification descriptions

Rank	Vendor	Price	Percent
Primary	Medix Specialty Vehicles, LLC	\$105,230.00	0.00%

FSA20-VEF14.01, Ambulances & Other Equipment

**Group:** Ambulance Type 3 - 4x2 Cutaway Van Gas Engine

**Item:** 350, Medix, Chevrolet G3500 / Modular Box 146``x90``x68`` HR

**Description:** Specification 6: Refer to FSA specification descriptions

Rank	Vendor	Price	Percent
Primary	Medix Specialty Vehicles, LLC	\$103,782.00	0.00%

FSA20-VEF14.01, Ambulances & Other Equipment

**Group:** Ambulance Type 3 - 4x2 Cutaway Van Gas Engine

**Item:** 351, Medix, Ford E-350 / Modular Box 153``x94``x72`` HR

**Description:** Specification 6: Refer to FSA specification descriptions

Rank	Vendor	Price	Percent
Primary	Medix Specialty Vehicles, LLC	\$115,785.00	0.00%

FSA20-VEF14.01, Ambulances & Other Equipment

**Group:** Ambulance Type 3 - 4x2 Cutaway Van Gas Engine

**Item:** 352, Medix, Ford E-450 / Modular Box 166``x94x``72`` HR

**Description:** Specification 6: Refer to FSA specification descriptions

<b>Rank</b>	<b>Vendor</b>	<b>Price</b>	<b>Percent</b>
Primary	Medix Specialty Vehicles, LLC	\$123,271.00	0.00%

FSA20-VEF14.01, Ambulances & Other Equipment

**Group:** Ambulance Type 3 - 4x2 Cutaway Van Gas Engine

**Item:** 353, Medix, Chevrolet G4500 / Modular Box 166``x94x``72`` HR

**Description:** Specification 6: Refer to FSA specification descriptions

<b>Rank</b>	<b>Vendor</b>	<b>Price</b>	<b>Percent</b>
Primary	Medix Specialty Vehicles, LLC	\$120,152.00	0.00%

FSA20-VEF14.01, Ambulances & Other Equipment

**Group:** Ambulance Type 3 - 4x2 Cutaway Van Gas Engine

**Item:** 354, Medix, Ford E-450 / Modular Box 170``x96x``72`` HR

**Description:** Specification 6: Refer to FSA specification descriptions

Rank	Vendor	Price	Percent
Primary	Medix Specialty Vehicles, LLC	\$134,261.00	0.00%



FSA20-VEF14.01, Ambulances & Other Equipment

**Group:** Ambulance Type 3 - 4x2 Cutaway Van Gas Engine

**Item:** 355, Medix, Chevrolet G4500 / Modular Box 170``x96x``72`` HR

**Description:** Specification 6: Refer to FSA specification descriptions

<b>Rank</b>	<b>Vendor</b>	<b>Price</b>	<b>Percent</b>
Primary	Medix Specialty Vehicles, LLC	\$130,613.00	0.00%

FSA20-VEF14.01, Ambulances & Other Equipment

**Group:** Ambulance Type 3 - 4x2 Cutaway Van Gas Engine

**Item:** 356, Life Line Ambulance, Ford E-350 / Modular Box 147``x96``x68`` HR

**Description:** Specification 6: Refer to FSA specification descriptions

Rank	Vendor	Price	Percent
Primary	Quality Emergency Vehichles	\$172,311.00	0.00%

FSA20-VEF14.01, Ambulances & Other Equipment

**Group:** Ambulance Type 3 - 4x2 Cutaway Van Gas Engine

**Item:** 357, Life Line Ambulance, Ford E-450 / Modular Box 167``x96``72`` HR

**Description:** Specification 6: Refer to FSA specification descriptions

<b>Rank</b>	<b>Vendor</b>	<b>Price</b>	<b>Percent</b>
Primary	Quality Emergency Vehichles	\$175,786.00	0.00%

FSA20-VEF14.01, Ambulances & Other Equipment

**Group:** Ambulance Type 3 - 4x2 Cutaway Van Gas Engine

**Item:** 358, Life Line Ambulance, Chevrolet G3500 / Modular Box 147``x96``x68`` HR

**Description:** Specification 6: Refer to FSA specification descriptions

Rank	Vendor	Price	Percent
Primary	Quality Emergency Vehichles	\$168,198.00	0.00%

FSA20-VEF14.01, Ambulances & Other Equipment

**Group:** Ambulance Type 3 - 4x2 Cutaway Van Gas Engine

**Item:** 359, Life Line Ambulance, Chevrolet G4500 / Modular Box 167``x96``72`` HR

**Description:** Specification 6: Refer to FSA specification descriptions

Rank	Vendor	Price	Percent
Primary	Quality Emergency Vehichles	\$172,012.00	0.00%

FSA20-VEF14.01, Ambulances & Other Equipment

**Group:** Ambulance Type 3 - 4x2 Cutaway Van Gas Engine

**Item:** 360, Horton, Ford XLE E-450 / Modular Box 149``x96.25``x72``

**Description:** Specification 6: Refer to FSA specification descriptions

Rank	Vendor	Price	Percent
Primary	REV RTC	\$163,041.72	0.00%

FSA20-VEF14.01, Ambulances & Other Equipment

**Group:** Ambulance Type 3 - 4x2 Cutaway Van Gas Engine

**Item:** 361, Road Rescue, Chevrolet G3500 / Modular Box 153``x95``x72``

**Description:** Specification 6: Refer to FSA specification descriptions

<b>Rank</b>	<b>Vendor</b>	<b>Price</b>	<b>Percent</b>
Primary	REV RTC	\$131,995.76	0.00%

FSA20-VEF14.01, Ambulances & Other Equipment

**Group:** Ambulance Type 3 - 4x2 Cutaway Van Gas Engine

**Item:** 362, Road Rescue, Chevrolet G3500 / Modular Box 150``x92``x68``

**Description:** Specification 6: Refer to FSA specification descriptions

<b>Rank</b>	<b>Vendor</b>	<b>Price</b>	<b>Percent</b>
Primary	REV RTC	\$139,114.49	0.00%



FSA20-VEF14.01, Ambulances & Other Equipment

**Group:** Ambulance Type 3 - 4x2 Cutaway Van Gas Engine

**Item:** 363, Road Rescue, Chevrolet G3500 / Modular Box 150``x96``x72``

**Description:** Specification 6: Refer to FSA specification descriptions

Rank	Vendor	Price	Percent
Primary	REV RTC	\$144,236.13	0.00%

FSA20-VEF14.01, Ambulances & Other Equipment

**Group:** Ambulance Type 3 - 4x2 Cutaway Van Gas Engine

**Item:** 364, Road Rescue, Chevrolet G4500 / Modular Box 165``x95``x72``

**Description:** Specification 6: Refer to FSA specification descriptions

<b>Rank</b>	<b>Vendor</b>	<b>Price</b>	<b>Percent</b>
Primary	REV RTC	\$137,471.31	0.00%

FSA20-VEF14.01, Ambulances & Other Equipment

**Group:** Ambulance Type 3 - 4x2 Cutaway Van Gas Engine

**Item:** 365, Road Rescue, Chevrolet G4500 / Modular Box 170``x95``x72``

**Description:** Specification 6: Refer to FSA specification descriptions

<b>Rank</b>	<b>Vendor</b>	<b>Price</b>	<b>Percent</b>
Primary	REV RTC	\$149,153.47	0.00%

FSA20-VEF14.01, Ambulances & Other Equipment

**Group:** Ambulance Type 3 - 4x2 Cutaway Van Gas Engine

**Item:** 366, Road Rescue, Ford E-350 / Modular Box 150``x92``x68``

**Description:** Specification 6: Refer to FSA specification descriptions

Rank	Vendor	Price	Percent
Primary	REV RTC	\$144,032.92	0.00%

FSA20-VEF14.01, Ambulances & Other Equipment

**Group:** Ambulance Type 3 - 4x2 Cutaway Van Gas Engine

**Item:** 367, Road Rescue, Ford E-350 / Modular Box 153``x95``x72``

**Description:** Specification 6: Refer to FSA specification descriptions

Rank	Vendor	Price	Percent
Primary	REV RTC	\$139,139.61	0.00%

FSA20-VEF14.01, Ambulances & Other Equipment

**Group:** Ambulance Type 3 - 4x2 Cutaway Van Gas Engine

**Item:** 368, Road Rescue, Ford E-450 / Modular Box 165``x95``x72``

**Description:** Specification 6: Refer to FSA specification descriptions

Rank	Vendor	Price	Percent
Primary	REV RTC	\$145,031.47	0.00%

FSA20-VEF14.01, Ambulances & Other Equipment

**Group:** Ambulance Type 3 - 4x2 Cutaway Van Gas Engine

**Item:** 369, Road Rescue, Ford E-450 MM / Modular Box 170``x95``x72``

**Description:** Specification 6: Refer to FSA specification descriptions

Rank	Vendor	Price	Percent
Primary	REV RTC	\$145,933.87	0.00%

FSA20-VEF14.01, Ambulances & Other Equipment

**Group:** Ambulance Type 3 - 4x2 Cutaway Van Gas Engine

**Item:** 370, Road Rescue, Chevrolet G4500 / Modular Box 170``x96``x72``

**Description:** Specification 6: Refer to FSA specification descriptions

<b>Rank</b>	<b>Vendor</b>	<b>Price</b>	<b>Percent</b>
Primary	REV RTC	\$152,471.39	0.00%



FSA20-VEF14.01, Ambulances & Other Equipment

**Group:** Ambulance Type 3 - 4x2 Cutaway Van Gas Engine

**Item:** 371, Road Rescue, Ford E-450 / Modular Box 168``x96``x72``

**Description:** Specification 6: Refer to FSA specification descriptions

Rank	Vendor	Price	Percent
Primary	REV RTC	\$157,067.54	0.00%

FSA20-VEF14.01, Ambulances & Other Equipment

**Group:** Ambulance Type 3 - 4x2 Cutaway Van Gas Engine

**Item:** 372, Wheeled Coach, Chevrolet G3500 / Modular Box 146`` X 90`` X 68``

**Description:** Specification 6: Refer to FSA specification descriptions

<b>Rank</b>	<b>Vendor</b>	<b>Price</b>	<b>Percent</b>
Primary	REV RTC	\$121,260.85	0.00%

FSA20-VEF14.01, Ambulances & Other Equipment

**Group:** Ambulance Type 3 - 4x2 Cutaway Van Gas Engine

**Item:** 373, Wheeled Coach, Chevrolet G3500 / Modular Box 153`` X 95`` X 72``

**Description:** Specification 6: Refer to FSA specification descriptions

Rank	Vendor	Price	Percent
Primary	REV RTC	\$129,474.17	0.00%

FSA20-VEF14.01, Ambulances & Other Equipment

**Group:** Ambulance Type 3 - 4x2 Cutaway Van Gas Engine

**Item:** 374, Wheeled Coach, Chevrolet G4500 / Modular Box 165`` X 95`` X 72``

**Description:** Specification 6: Refer to FSA specification descriptions

<b>Rank</b>	<b>Vendor</b>	<b>Price</b>	<b>Percent</b>
Primary	REV RTC	\$135,151.99	0.00%

FSA20-VEF14.01, Ambulances & Other Equipment

**Group:** Ambulance Type 3 - 4x2 Cutaway Van Gas Engine

**Item:** 375, Wheeled Coach, Chevrolet G4500 / Modular Box 170`` X 95`` X 72``

**Description:** Specification 6: Refer to FSA specification descriptions

<b>Rank</b>	<b>Vendor</b>	<b>Price</b>	<b>Percent</b>
Primary	REV RTC	\$135,151.99	0.00%

FSA20-VEF14.01, Ambulances & Other Equipment

**Group:** Ambulance Type 3 - 4x2 Cutaway Van Gas Engine

**Item:** 376, Wheeled Coach, Ford E-350 / Modular Box 146`` X 90`` X 68``

**Description:** Specification 6: Refer to FSA specification descriptions

Rank	Vendor	Price	Percent
Primary	REV RTC	\$123,487.37	0.00%

FSA20-VEF14.01, Ambulances & Other Equipment

**Group:** Ambulance Type 3 - 4x2 Cutaway Van Gas Engine

**Item:** 377, Wheeled Coach, Ford E-350 / Modular Box 153`` X 95`` X 72``

**Description:** Specification 6: Refer to FSA specification descriptions

<b>Rank</b>	<b>Vendor</b>	<b>Price</b>	<b>Percent</b>
Primary	REV RTC	\$135,525.62	0.00%

FSA20-VEF14.01, Ambulances & Other Equipment

**Group:** Ambulance Type 3 - 4x2 Cutaway Van Gas Engine

**Item:** 378, Wheeled Coach, Ford E-450 / Modular Box 165`` X 95`` X 72``

**Description:** Specification 6: Refer to FSA specification descriptions

<b>Rank</b>	<b>Vendor</b>	<b>Price</b>	<b>Percent</b>
Primary	REV RTC	\$141,417.48	0.00%



FSA20-VEF14.01, Ambulances & Other Equipment

**Group:** Ambulance Type 3 - 4x2 Cutaway Van Gas Engine

**Item:** 379, Wheeled Coach, Ford E-450 / Modular Box 170`` X 95`` X 72``

**Description:** Specification 6: Refer to FSA specification descriptions

Rank	Vendor	Price	Percent
Primary	REV RTC	\$142,319.88	0.00%

FSA20-VEF14.01, Ambulances & Other Equipment

**Group:** Ambulance Type 3 - 4x2 Cutaway Van Gas Engine

**Item:** 380, PL Custom Emergency Vehicles, Ford E-450 / Modular Box 170``x72`` HR

**Description:** Specification 6: Refer to FSA specification descriptions

Rank	Vendor	Price	Percent
Primary	South Florida Emergency Vehicles LLC.	\$173,206.00	0.00%

FSA20-VEF14.01, Ambulances & Other Equipment

**Group:** Ambulance Type 3 - 4x2 Cutaway Van Gas Engine

**Item:** 381, Braun, Chevrolet 3500 Express

**Description:** Specification 6: Refer to FSA specification descriptions

<b>Rank</b>	<b>Vendor</b>	<b>Price</b>	<b>Percent</b>
Primary	Ten-8 Fire Equipment, Inc.	\$131,744.00	0.00%

FSA20-VEF14.01, Ambulances & Other Equipment

**Group:** Ambulance Type 3 - 4x2 Cutaway Van Gas Engine

**Item:** 382, Braun, Chevrolet 4500 Chief XL

**Description:** Specification 6: Refer to FSA specification descriptions

Rank	Vendor	Price	Percent
Primary	Ten-8 Fire Equipment, Inc.	\$177,121.00	0.00%

FSA20-VEF14.01, Ambulances & Other Equipment

**Group:** Ambulance Type 3 - 4x2 Cutaway Van Gas Engine

**Item:** 383, Braun, Ford E-350 Express

**Description:** Specification 6: Refer to FSA specification descriptions

Rank	Vendor	Price	Percent
Primary	Ten-8 Fire Equipment, Inc.	\$133,017.00	0.00%

FSA20-VEF14.01, Ambulances & Other Equipment

**Group:** Ambulance Type 3 - 4x2 Cutaway Van Gas Engine

**Item:** 384, Braun, Ford E-450 Chief XL

**Description:** Specification 6: Refer to FSA specification descriptions

Rank	Vendor	Price	Percent
Primary	Ten-8 Fire Equipment, Inc.	\$180,438.00	0.00%

FSA20-VEF14.01, Ambulances & Other Equipment

**Group:** Ambulance Type 3 - 4x2 Cutaway Van Gas Engine

**Item:** 385, Demers, Chevrolet 3500 MX164

**Description:** Specification 6: Refer to FSA specification descriptions

Rank	Vendor	Price	Percent
Primary	Ten-8 Fire Equipment, Inc.	\$146,917.00	0.00%

FSA20-VEF14.01, Ambulances & Other Equipment

**Group:** Ambulance Type 3 - 4x2 Cutaway Van Gas Engine

**Item:** 386, Demers, Chevrolet 4500 MX164

**Description:** Specification 6: Refer to FSA specification descriptions

Rank	Vendor	Price	Percent
Primary	Ten-8 Fire Equipment, Inc.	\$147,868.00	0.00%



FSA20-VEF14.01, Ambulances & Other Equipment

**Group:** Ambulance Type 3 - 4x2 Cutaway Van Gas Engine

**Item:** 387, Demers, Chevrolet 4500 MX170

**Description:** Specification 6: Refer to FSA specification descriptions

Rank	Vendor	Price	Percent
Primary	Ten-8 Fire Equipment, Inc.	\$159,066.00	0.00%

FSA20-VEF14.01, Ambulances & Other Equipment

**Group:** Ambulance Type 3 - 4x2 Cutaway Van Gas Engine

**Item:** 388, Demers, Ford E-350 MX151

**Description:** Specification 6: Refer to FSA specification descriptions

Rank	Vendor	Price	Percent
------	--------	-------	---------

FSA20-VEF14.01, Ambulances & Other Equipment

**Group:** Ambulance Type 3 - 4x2 Cutaway Van Gas Engine

**Item:** 389, Demers, Ford E-350 MX164

**Description:** Specification 6: Refer to FSA specification descriptions

Rank	Vendor	Price	Percent
Primary	Ten-8 Fire Equipment, Inc.	\$155,007.00	0.00%

FSA20-VEF14.01, Ambulances & Other Equipment

**Group:** Ambulance Type 3 - 4x2 Cutaway Van Gas Engine

**Item:** 390, Demers, Ford E-450 MX164

**Description:** Specification 6: Refer to FSA specification descriptions

Rank	Vendor	Price	Percent
Primary	Ten-8 Fire Equipment, Inc.	\$156,917.00	0.00%

FSA20-VEF14.01, Ambulances & Other Equipment

**Group:** Ambulance Type 3 - 4x2 Cutaway Van Gas Engine

**Item:** 391, Demers, Ford E-450 MX170

**Description:** Specification 6: Refer to FSA specification descriptions

<b>Rank</b>	<b>Vendor</b>	<b>Price</b>	<b>Percent</b>
Primary	Ten-8 Fire Equipment, Inc.	\$168,053.00	0.00%

FSA20-VEF14.01, Ambulances & Other Equipment

**Group:** Ambulance Type 3 - 4x2 Cutaway Van Gas Engine

**Item:** 392, Osage, Sprinter Warrior

**Description:** Specification 6: Refer to FSA specification descriptions

Rank	Vendor	Price	Percent
------	--------	-------	---------

FSA20-VEF14.01, Ambulances & Other Equipment

**Group:** Ambulance Type 3 - 4x2 Cutaway Van Gas Engine

**Item:** 393, Osage, Chevrolet 3500 Warrior

**Description:** Specification 6: Refer to FSA specification descriptions

Rank	Vendor	Price	Percent
Primary	Ten-8 Fire Equipment, Inc.	\$136,230.00	0.00%

FSA20-VEF14.01, Ambulances & Other Equipment

**Group:** Ambulance Type 3 - 4x2 Cutaway Van Gas Engine

**Item:** 394, Osage, Chevrolet 4500 Super Warrior

**Description:** Specification 6: Refer to FSA specification descriptions

Rank	Vendor	Price	Percent
Primary	Ten-8 Fire Equipment, Inc.	\$145,471.00	0.00%



FSA20-VEF14.01, Ambulances & Other Equipment

**Group:** Ambulance Type 3 - 4x2 Cutaway Van Gas Engine

**Item:** 395, Osage, Ford E-350 Warrior

**Description:** Specification 6: Refer to FSA specification descriptions

Rank	Vendor	Price	Percent
Primary	Ten-8 Fire Equipment, Inc.	\$140,618.00	0.00%

FSA20-VEF14.01, Ambulances & Other Equipment

**Group:** Ambulance Type 3 - 4x2 Cutaway Van Gas Engine

**Item:** 396, Osage, Ford E-450 Super Warrior

**Description:** Specification 6: Refer to FSA specification descriptions

Rank	Vendor	Price	Percent
Primary	Ten-8 Fire Equipment, Inc.	\$151,169.00	0.00%

FSA20-VEF14.01, Ambulances & Other Equipment

**Group:** Ambulance Type 3 - 4x2 Cutaway Van Gas Engine

**Item:** 397, Crestline, Chevrolet 3500 CCL 150

**Description:** Specification 6: Refer to FSA specification descriptions

Rank	Vendor	Price	Percent
Primary	Ten-8 Fire Equipment, Inc.	\$123,265.00	0.00%

FSA20-VEF14.01, Ambulances & Other Equipment

**Group:** Ambulance Type 3 - 4x2 Cutaway Van Gas Engine

**Item:** 398, Crestline, Ford E-350 CCL 150

**Description:** Specification 6: Refer to FSA specification descriptions

Rank	Vendor	Price	Percent
Primary	Ten-8 Fire Equipment, Inc.	\$123,265.00	0.00%

**Prepared for:**  
Mark Smith  
REV RTC  
725 SW 46TH AVE  
OCALA, FL 34474  
Phone: 352-816-7149



**Prepared by:**  
John Grosboll  
PREMIER TRUCK GROUP OF  
DALLAS  
4200 PORT BOULEVARD  
DALLAS, TX 75241  
Phone: 972 213 5290

*A proposal for*  
**REV RTC**

*Prepared by*  
**PREMIER TRUCK GROUP OF DALLAS**  
*John Grosboll*

*Jun 13, 2022*

**Freightliner M2 106**  
**Cooper City, FL**  
**Specifications**  
REV179A



Components shown may not reflect all spec'd options and are not to scale



Prepared for:  
 Mark Smith  
 REV RTC  
 725 SW 46TH AVE  
 OCALA, FL 34474  
 Phone: 352-816-7149



Prepared by:  
 John Grosboll  
 PREMIER TRUCK GROUP OF  
 DALLAS  
 4200 PORT BOULEVARD  
 DALLAS, TX 75241  
 Phone: 972 213 5290

## S P E C I F I C A T I O N   P R O P O S A L

Data Code	Description
<b>Price Level</b>	
PRL-24M	M2 PRL-24M (EFF:01/19/21)
<b>Data Version</b>	
DRL-048	SPECPRO21 DATA RELEASE VER 048
<b>Interior Convenience/Driver Retention Package</b>	
055-002	INTERIOR CONVENIENCE PACKAGE
<b>Vehicle Configuration</b>	
001-172	M2 106 CONVENTIONAL CHASSIS
004-223	2023 MODEL YEAR SPECIFIED
002-004	SET BACK AXLE - TRUCK
019-002	STRAIGHT TRUCK PROVISION
003-001	LH PRIMARY STEERING LOCATION
<b>General Service</b>	
AA1-002	TRUCK CONFIGURATION
AA6-002	DOMICILED, USA (EXCLUDING CALIFORNIA AND CARB OPT-IN STATES)
A85-006	RESCUE AND EMERGENCY SERVICE
A84-1EV	EMERGENCY VEHICLES BUSINESS SEGMENT
AA4-011	FIXED LOAD COMMODITY
AA5-002	TERRAIN/DUTY: 100% (ALL) OF THE TIME, IN TRANSIT, IS SPENT ON PAVED ROADS
AB1-008	MAXIMUM 8% EXPECTED GRADE
AB5-001	SMOOTH CONCRETE OR ASPHALT PAVEMENT - MOST SEVERE IN-TRANSIT (BETWEEN SITES) ROAD SURFACE
995-091	MEDIUM TRUCK WARRANTY
A66-99D	EXPECTED FRONT AXLE(S) LOAD : 10000.0 lbs
A68-99D	EXPECTED REAR DRIVE AXLE(S) LOAD : 12000.0 lbs
A63-99D	EXPECTED GROSS VEHICLE WEIGHT CAPACITY : 22000.0 lbs



Prepared for:  
 Mark Smith  
 REV RTC  
 725 SW 46TH AVE  
 OCALA, FL 34474  
 Phone: 352-816-7149



Prepared by:  
 John Grosboll  
 PREMIER TRUCK GROUP OF  
 DALLAS  
 4200 PORT BOULEVARD  
 DALLAS, TX 75241  
 Phone: 972 213 5290

Data Code	Description
<b>Truck Service</b>	
AA3-024	AMBULANCE BODY
A88-99D	EXPECTED TRUCK BODY LENGTH : 0.0 ft
AF3-181	ROAD RESCUE
AF7-99D	EXPECTED BODY/PAYLOAD CG HEIGHT ABOVE FRAME "XX" INCHES : 32.0 in
<b>Engine</b>	
101-22A	CUM B6.7 260EV HP @ 2400 RPM, 2600 GOV, 660 LB-FT @ 1600 RPM, R/F/E
<b>Electronic Parameters</b>	
79A-075	75 MPH ROAD SPEED LIMIT
79B-000	CRUISE CONTROL SPEED LIMIT SAME AS ROAD SPEED LIMIT
79K-007	PTO MODE ENGINE RPM LIMIT - 1100 RPM
79P-002	PTO RPM WITH CRUISE SET SWITCH - 700 RPM
79Q-003	PTO RPM WITH CRUISE RESUME SWITCH - 800 RPM
79S-001	PTO MODE CANCEL VEHICLE SPEED - 5 MPH
79U-007	PTO GOVERNOR RAMP RATE - 250 RPM PER SECOND
80G-002	PTO MINIMUM RPM - 700
80J-001	REGEN INHIBIT SPEED THRESHOLD - 0 MPH
<b>Engine Equipment</b>	
99C-021	2010 EPA/CARB/GHG21 CONFIGURATION
99D-010	NO 2008 CARB EMISSION CERTIFICATION
13E-001	STANDARD OIL PAN
105-001	ENGINE MOUNTED OIL CHECK AND FILL
014-099	SIDE OF HOOD AIR INTAKE WITH FIREWALL MOUNTED DONALDSON AIR CLEANER
124-120	LN 12V 320 AMP 4962PGH PAD MOUNT ALTERNATOR
292-203	(3) DTNA GENUINE, FLOODED STARTING, MIN 2250CCA, 510RC, THREADED STUD BATTERIES
290-017	BATTERY BOX FRAME MOUNTED
281-001	STANDARD BATTERY JUMPERS
282-042	LH BATTERY BOX MOUNTED AS FAR AFT AS POSSIBLE, NO GREATER THAN 60 INCHES BACK OF CAB
291-017	WIRE GROUND RETURN FOR BATTERY CABLES WITH ADDITIONAL FRAME GROUND RETURN



**Prepared for:**  
 Mark Smith  
 REV RTC  
 725 SW 46TH AVE  
 OCALA, FL 34474  
 Phone: 352-816-7149



**Prepared by:**  
 John Grosboll  
 PREMIER TRUCK GROUP OF  
 DALLAS  
 4200 PORT BOULEVARD  
 DALLAS, TX 75241  
 Phone: 972 213 5290

Data Code	Description
289-001	NON-POLISHED BATTERY BOX COVER
87P-001	CAB AUXILIARY POWER CABLE
293-058	POSITIVE LOAD DISCONNECT WITH CAB MOUNTED CONTROL SWITCH MOUNTED OUTBOARD DRIVER SEAT
295-029	POSITIVE AND NEGATIVE POSTS FOR JUMPSTART LOCATED ON FRAME NEXT TO STARTER
107-032	CUMMINS TURBOCHARGED 18.7 CFM AIR COMPRESSOR WITH INTERNAL SAFETY VALVE
108-002	STANDARD MECHANICAL AIR COMPRESSOR GOVERNOR
131-013	AIR COMPRESSOR DISCHARGE LINE
152-039	GVG, FIRE AND EMERGENCY SERVICE VEHICLES ENGINE WARNING
128-1AR	CUMMINS ENGINE INTEGRAL BRAKE WITH VARIABLE GEOMETRY TURBO ON/OFF WITH BRAKE LAMPS
016-1C2	RH OUTBOARD UNDER STEP MOUNTED HORIZONTAL AFTERTREATMENT SYSTEM ASSEMBLY WITH RH B-PILLAR MOUNTED VERTICAL TAILPIPE
28F-007	ENGINE AFTERTREATMENT DEVICE, AUTOMATIC OVER THE ROAD ACTIVE REGENERATION AND DASH MOUNTED SINGLE REGENERATION REQUEST/INHIBIT SWITCH
239-020	10 FOOT 00 INCH (120 INCH+0/-5.9 INCH) EXHAUST SYSTEM HEIGHT
233-017	STANDARD CURVE BRIGHT UPPER STACK(S)
237-1CR	RH CURVED VERTICAL TAILPIPE B-PILLAR MOUNTED ROUTED FROM STEP
23U-001	6 GALLON DIESEL EXHAUST FLUID TANK
30N-003	100 PERCENT DIESEL EXHAUST FLUID FILL
* 43X-002	LH MEDIUM DUTY STANDARD DIESEL EXHAUST FLUID TANK LOCATION LOCATE DEF UNDER CAB
23Y-001	STANDARD DIESEL EXHAUST FLUID PUMP MOUNTING
43Y-001	STANDARD DIESEL EXHAUST FLUID TANK CAP
242-001	STAINLESS STEEL AFTERTREATMENT DEVICE/MUFFLER/TAILOPIPE SHIELD
273-058	AIR POWERED ON/OFF ENGINE FAN CLUTCH
276-002	AUTOMATIC FAN CONTROL WITH DASH SWITCH AND INDICATOR LIGHT, NON ENGINE MOUNTED





Prepared for:  
 Mark Smith  
 REV RTC  
 725 SW 46TH AVE  
 OCALA, FL 34474  
 Phone: 352-816-7149



Prepared by:  
 John Grosboll  
 PREMIER TRUCK GROUP OF  
 DALLAS  
 4200 PORT BOULEVARD  
 DALLAS, TX 75241  
 Phone: 972 213 5290

Data Code	Description
110-003	CUMMINS SPIN ON FUEL FILTER
118-001	FULL FLOW OIL FILTER
266-100	700 SQUARE INCH ALUMINUM RADIATOR
103-039	ANTIFREEZE TO -34F, OAT (NITRITE AND SILICATE FREE) EXTENDED LIFE COOLANT
171-007	GATES BLUE STRIPE COOLANT HOSES OR EQUIVALENT
172-001	CONSTANT TENSION HOSE CLAMPS FOR COOLANT HOSES
270-016	RADIATOR DRAIN VALVE
168-002	LOWER RADIATOR GUARD
134-001	ALUMINUM FLYWHEEL HOUSING
132-004	ELECTRIC GRID AIR INTAKE WARMER
155-058	DELCO 12V 38MT HD STARTER WITH INTEGRATED MAGNETIC SWITCH

### Transmission

342-1KD	ALLISON 3000 EVS AUTOMATIC TRANSMISSION WITH PTO PROVISION
---------	--

### Transmission Equipment

343-343	ALLISON VOCATIONAL PACKAGE 227 - AVAILABLE ON 3000/4000 PRODUCT FAMILIES WITH VOCATIONAL MODEL EVS
84B-003	ALLISON VOCATIONAL RATING FOR FIRE TRUCK/EMERGENCY VEHICLE APPLICATIONS AVAILABLE WITH ALL PRODUCT FAMILIES
84C-023	PRIMARY MODE GEARS, LOWEST GEAR 1, START GEAR 1, HIGHEST GEAR 6, AVAILABLE FOR 3000/4000 PRODUCT FAMILIES ONLY
84D-023	SECONDARY MODE GEARS, LOWEST GEAR 1, START GEAR 1, HIGHEST GEAR 6, AVAILABLE FOR 3000/4000 PRODUCT FAMILIES ONLY
84E-000	PRIMARY SHIFT SCHEDULE RECOMMENDED BY DTNA AND ALLISON, THIS DEFINED BY ENGINE AND VOCATIONAL USAGE
84F-000	SECONDARY SHIFT SCHEDULE RECOMMENDED BY DTNA AND ALLISON, THIS DEFINED BY ENGINE AND VOCATIONAL USAGE
84G-000	PRIMARY SHIFT SPEED RECOMMENDED BY DTNA AND ALLISON, THIS DEFINED BY ENGINE AND VOCATIONAL USAGE
84H-000	SECONDARY SHIFT SPEED RECOMMENDED BY DTNA AND ALLISON, THIS DEFINED BY ENGINE AND VOCATIONAL USAGE



**Prepared for:**  
 Mark Smith  
 REV RTC  
 725 SW 46TH AVE  
 OCALA, FL 34474  
 Phone: 352-816-7149



**Prepared by:**  
 John Grosboll  
 PREMIER TRUCK GROUP OF  
 DALLAS  
 4200 PORT BOULEVARD  
 DALLAS, TX 75241  
 Phone: 972 213 5290

Data Code	Description
84J-000	ENGINE BRAKE RANGE PRESELECT RECOMMENDED BY DTNA AND ALLISON, THIS DEFINED BY ENGINE AND VOCATIONAL USAGE
84K-000	ENGINE BRAKE RANGE ALTERNATE PRESELECT RECOMMENDED BY DTNA AND ALLISON, THIS DEFINED BY ENGINE AND VOCATIONAL USAGE
84N-200	FUEL SENSE 2.0 DISABLED - PERFORMANCE - TABLE BASED
84U-000	DRIVER SWITCH INPUT - DEFAULT - NO SWITCHES
353-065	VEHICLE INTERFACE WIRING CONNECTOR WITH BLUNT CUTS, AT BACK OF CAB
34C-001	ELECTRONIC TRANSMISSION CUSTOMER ACCESS CONNECTOR FIREWALL MOUNTED
362-823	CUSTOMER INSTALLED CHELSEA 280 SERIES PTO
363-001	PTO MOUNTING, LH SIDE OF MAIN TRANSMISSION ALLISON
341-018	MAGNETIC PLUGS, ENGINE DRAIN, TRANSMISSION DRAIN, AXLE(S) FILL AND DRAIN
345-003	PUSH BUTTON ELECTRONIC SHIFT CONTROL, DASH MOUNTED
97G-004	TRANSMISSION PROGNOSTICS - ENABLED 2013
370-015	WATER TO OIL TRANSMISSION COOLER, IN RADIATOR END TANK
346-003	TRANSMISSION OIL CHECK AND FILL WITH ELECTRONIC OIL LEVEL CHECK
35T-001	SYNTHETIC TRANSMISSION FLUID (TES-295 COMPLIANT)

### Front Axle and Equipment

400-1A5	DETROIT DA-F-10.0-3 10,000# FF1 71.5 KPI/3.74 DROP SINGLE FRONT AXLE
402-020	MERITOR 15X4 Q+ CAM FRONT BRAKES
403-026	FIRE AND EMERGENCY SEVERE SERVICE, NON-ASBESTOS FRONT LINING
419-023	CONMET CAST IRON FRONT BRAKE DRUMS
427-001	FRONT BRAKE DUST SHIELDS
409-006	FRONT OIL SEALS
408-001	VENTED FRONT HUB CAPS WITH WINDOW, CENTER AND SIDE PLUGS - OIL
416-022	STANDARD SPINDLE NUTS FOR ALL AXLES



Prepared for:  
 Mark Smith  
 REV RTC  
 725 SW 46TH AVE  
 OCALA, FL 34474  
 Phone: 352-816-7149



Prepared by:  
 John Grosboll  
 PREMIER TRUCK GROUP OF  
 DALLAS  
 4200 PORT BOULEVARD  
 DALLAS, TX 75241  
 Phone: 972 213 5290

Data Code	Description
405-003	HALDEX AUTOMATIC FRONT SLACK ADJUSTERS
536-050	TRW THP-60 POWER STEERING
539-003	POWER STEERING PUMP
534-015	2 QUART SEE THROUGH POWER STEERING RESERVOIR
40T-001	MINERAL SAE 80/90 FRONT AXLE LUBE

### Front Suspension

620-062	10,000# TAPERLEAF FRONT SUSPENSION
619-005	MAINTENANCE FREE RUBBER BUSHINGS - FRONT SUSPENSION
629-004	FRONT SWAYBAR
410-001	FRONT SHOCK ABSORBERS

### Rear Axle and Equipment

420-1GH	DETROIT DA-RS-17.5-4 17,500# R-SERIES SINGLE REAR AXLE
421-478	4.78 REAR AXLE RATIO
424-001	IRON REAR AXLE CARRIER WITH STANDARD AXLE HOUSING
386-079	MXL 16T MERITOR EXTENDED LUBE MAIN DRIVELINE WITH HALF ROUND YOKES
* 423-028	MERITOR 15X8.62 Q+ CAST SPIDER CAM REAR BRAKES, DOUBLE ANCHOR, FABRICATED SHOES
433-025	FIRE AND EMERGENCY SEVERE SERVICE NON-ASBESTOS REAR BRAKE LINING
434-005	BRAKE CAMS AND CHAMBERS ON FORWARD SIDE OF DRIVE AXLE(S) WITH AUXILIARY SUPPORT BRACKETS
* 451-023	CONMET CAST IRON REAR BRAKE DRUMS
440-006	REAR OIL SEALS
426-074	HALDEX GOLDSEAL LONGSTROKE 1-DRIVE AXLE SPRING PARKING CHAMBERS
428-003	HALDEX AUTOMATIC REAR SLACK ADJUSTERS
41T-001	MINERAL SAE 80/90 REAR AXLE LUBE

### Rear Suspension

* 622-1CX	AIRLINER 12,000# REAR SUSPENSION
621-046	AIRLINER MID POSITION RIDE HEIGHT
431-001	STANDARD AXLE SEATS IN AXLE CLAMP GROUP



Prepared for:  
 Mark Smith  
 REV RTC  
 725 SW 46TH AVE  
 OCALA, FL 34474  
 Phone: 352-816-7149



Prepared by:  
 John Grosboll  
 PREMIER TRUCK GROUP OF  
 DALLAS  
 4200 PORT BOULEVARD  
 DALLAS, TX 75241  
 Phone: 972 213 5290

Data Code	Description
910-004	DUAL AIR REAR SUSPENSION LEVELING VALVES
623-002	TRANSVERSE CONTROL RODS
439-004	REAR SHOCK ABSORBERS - ONE AXLE (AIR RIDE SUSPENSION)

### Brake System

018-002	AIR BRAKE PACKAGE
490-100	WABCO 4S/4M ABS
871-001	REINFORCED NYLON, FABRIC BRAID AND WIRE BRAID CHASSIS AIR LINES
904-001	FIBER BRAID PARKING BRAKE HOSE
412-001	STANDARD BRAKE SYSTEM VALVES
46D-001	STANDARD AIR SYSTEM PRESSURE PROTECTION AND 85 PSI PRESSURE PROTECTION FOR AIR HORN(S)
413-002	STD U.S. FRONT BRAKE VALVE
432-003	RELAY VALVE WITH 5-8 PSI CRACK PRESSURE, NO REAR PROPORTIONING VALVE
480-086	BW AD-9SI BRAKE LINE AIR DRYER WITH HEATER
479-003	AIR DRYER MOUNTED INBOARD ON LH RAIL
460-008	STEEL AIR BRAKE RESERVOIRS MOUNTED INSIDE RAIL
46A-023	(1) 1730 CUBIC INCH AIR HORN TANK, 85 PSI PRESSURE PROTECTED INLET WITH CHECK VALVE AND QUICK DISCONNECT FITTING
477-006	BW DV-2 AUTO DRAIN VALVE WITHOUT HEATER ON ALL TANK(S)

### Trailer Connections

296-010	PRIMARY CONNECTOR/RECEPTACLE WIRED FOR SEPARATE STOP/TURN, ABS CENTER PIN POWERED THROUGH IGNITION
297-001	SAE J560 7-WAY PRIMARY TRAILER CABLE RECEPTACLE MOUNTED END OF FRAME
335-004	UPGRADED CHASSIS MULTIPLEXING UNIT
32A-002	UPGRADED BULKHEAD MULTIPLEXING UNIT

### Wheelbase & Frame

545-442	4425MM (174 INCH) WHEELBASE
546-094	9/32X3-7/16X10-1/16 INCH STEEL FRAME (7.14MMX255.6/0.281X10.06 INCH) 80KSI
552-042	1950MM (77 INCH) REAR FRAME OVERHANG



Prepared for:  
 Mark Smith  
 REV RTC  
 725 SW 46TH AVE  
 OCALA, FL 34474  
 Phone: 352-816-7149



Prepared by:  
 John Grosboll  
 PREMIER TRUCK GROUP OF  
 DALLAS  
 4200 PORT BOULEVARD  
 DALLAS, TX 75241  
 Phone: 972 213 5290

Data Code	Description
55W-007	FRAME OVERHANG RANGE: 71 INCH TO 80 INCH
AC8-99D	CALC'D BACK OF CAB TO REAR SUSP C/L (CA) : 108.66 in
AE8-99D	CALCULATED EFFECTIVE BACK OF CAB TO REAR SUSPENSION C/L (CA) : 105.66 in
AE4-99D	CALC'D FRAME LENGTH - OVERALL : 289.99 in
FSS-0LH	CALCULATED FRAME SPACE LH SIDE : 180.36 in
FSS-0RH	CALCULATED FRAME SPACE RH SIDE : 57.46 in
553-001	SQUARE END OF FRAME
550-001	FRONT CLOSING CROSSMEMBER
559-001	STANDARD WEIGHT ENGINE CROSSMEMBER
561-001	STANDARD CROSSMEMBER BACK OF TRANSMISSION
562-001	STANDARD MIDSHIP #1 CROSSMEMBER(S)
572-001	STANDARD REARMOST CROSSMEMBER
565-001	STANDARD SUSPENSION CROSSMEMBER

### Chassis Equipment

556-1AR	THREE-PIECE 14 INCH CHROMED STEEL BUMPER WITH COLLAPSIBLE ENDS
558-001	FRONT TOW HOOKS - FRAME MOUNTED
574-001	BUMPER MOUNTING FOR SINGLE LICENSE PLATE
586-024	FENDER AND FRONT OF HOOD MOUNTED FRONT MUDFLAPS
551-017	GRADE 8 THREADED HEX HEADED FRAME FASTENERS INSTALLED WITH BOLT HEADS ON OUTSIDE OF FRAME
* 607-001	CLEAR FRAME RAILS FROM BACK OF CAB TO FRONT REAR SUSPENSION BRACKET BOTH RAILS OUTBOARD
	CLEAR BOTTOM OF FRAME RAIL, FORWARD OF REAR SPRING HANGER - 50" - BOTH SIDES

### Fuel Tanks

204-998	NO LH FUEL TANK
230-043	40 GALLON/151 LITER RECTANGULAR STEEL FUEL TANK - BETWEEN RAILS
218-005	RECTANGULAR FUEL TANK(S)
215-009	PAINTED FUEL TANK(S), PAINTED STRAPS WITH RUBBER ISOLATORS
231-004	FUEL TANK(S) MOUNTED BETWEEN RAILS AFT OF REAR AXLE



Prepared for:  
 Mark Smith  
 REV RTC  
 725 SW 46TH AVE  
 OCALA, FL 34474  
 Phone: 352-816-7149



Prepared by:  
 John Grosboll  
 PREMIER TRUCK GROUP OF  
 DALLAS  
 4200 PORT BOULEVARD  
 DALLAS, TX 75241  
 Phone: 972 213 5290

Data Code	Description
664-001	PLAIN STEP FINISH
205-060	LH SIDEFILL FUEL TANK PREP CAP
122-1J2	DETROIT FUEL/WATER SEPARATOR WITH WATER IN FUEL SENSOR AND HAND PRIMER
216-001	SINGLE SUCTION AND RETURN FUEL LINES
20E-001	AUXILIARY FUEL SUPPLY AND RETURN PORTS
202-016	HIGH TEMPERATURE REINFORCED NYLON FUEL LINE
* 847-002	IN TANK FUEL LEVEL SENDER(S)
<b>Tires</b>	
093-0BN	MICHELIN XZE 255/70R22.5 16 PLY RADIAL FRONT TIRES
094-0BN	MICHELIN XZE 255/70R22.5 16 PLY RADIAL REAR TIRES
<b>Hubs</b>	
418-060	CONMET PRESET PLUS PREMIUM IRON FRONT HUBS
450-060	CONMET PRESET PLUS PREMIUM IRON REAR HUBS
<b>Wheels</b>	
502-693	ALCOA LVL ONE 88267X 22.5X8.25 10-HUB PILOT 5.80 INSET ALUMINUM DISC FRONT WHEELS
* 505-693	ALCOA LVL ONE 88267X 22.5X8.25 10-HUB PILOT ALUMINUM DISC REAR WHEELS
524-001	POLISHED FRONT WHEELS; OUTSIDE ONLY
525-001	POLISHED REAR WHEELS; OUTSIDE OF OUTER WHEELS ONLY
* 52M-004	FORCEMATCH TIRE/WHEEL RUNOUT CHECK/MARK AND STATIC BALANCING - ALL TIRES/WHEELS
496-011	FRONT WHEEL MOUNTING NUTS
497-011	REAR WHEEL MOUNTING NUTS
<b>Cab Exterior</b>	
829-071	106 INCH BBC FLAT ROOF ALUMINUM CONVENTIONAL CAB
650-009	RUBBER CAB MOUNTS
678-018	LH AND RH EXTERIOR GRAB HANDLES WITH SINGLE RUBBER INSERT
646-023	HOOD MOUNTED CHROMED PLASTIC GRILLE
65X-003	CHROME HOOD MOUNTED AIR INTAKE GRILLE



**Prepared for:**  
 Mark Smith  
 REV RTC  
 725 SW 46TH AVE  
 OCALA, FL 34474  
 Phone: 352-816-7149



**Prepared by:**  
 John Grosboll  
 PREMIER TRUCK GROUP OF  
 DALLAS  
 4200 PORT BOULEVARD  
 DALLAS, TX 75241  
 Phone: 972 213 5290

Data Code	Description
644-004	FIBERGLASS HOOD
690-002	TUNNEL/FIREWALL LINER
727-1B0	DUAL 25 INCH ROUND STUTTER TONE HOOD MOUNTED AIR HORNS
726-002	DUAL ELECTRIC HORNS
728-002	DUAL HORN SHIELDS
575-001	REAR LICENSE PLATE MOUNT END OF FRAME
312-038	INTEGRAL HEADLIGHT/MARKER ASSEMBLY WITH CHROME BEZEL
302-047	LED AERODYNAMIC MARKER LIGHTS
311-019	HEADLIGHTS ON WITH WIPERS, WITH DAYTIME RUNNING LIGHTS
294-046	OMIT STOP/TAIL/BACKUP LIGHTS AND PROVIDE WIRING WITH SEPARATE STOP/TURN WIRES TO 4 FEET BEYOND END OF FRAME
300-015	STANDARD FRONT TURN SIGNAL LAMPS
744-1BC	DUAL WEST COAST BRIGHT FINISH HEATED MIRRORS WITH LH AND RH REMOTE
797-001	DOOR MOUNTED MIRRORS
796-001	102 INCH EQUIPMENT WIDTH
743-204	LH AND RH 8 INCH BRIGHT FINISH CONVEX MIRRORS MOUNTED UNDER PRIMARY MIRRORS
74A-001	RH DOWN VIEW MIRROR
729-001	STANDARD SIDE/REAR REFLECTORS
677-016	DUAL LEVEL CAB ENTRY STEPS ON BOTH SIDES
764-010	COMPOSITE EXTERIOR SUN VISOR
768-998	NO REAR WINDOW
661-004	TINTED DOOR GLASS LH AND RH WITH TINTED OPERATING WING WINDOWS
654-027	RH AND LH ELECTRIC POWERED WINDOWS, PASSENGER SWITCHES ON DOOR(S)
663-013	1-PIECE SOLAR GREEN GLASS WINDSHIELD
659-019	2 GALLON WINDSHIELD WASHER RESERVOIR WITHOUT FLUID LEVEL INDICATOR, FRAME MOUNTED

**Cab Interior**

707-1AK	OPAL GRAY VINYL INTERIOR
706-016	MOLDED DOOR PANEL WITH UPPER VINYL INSERTS



**Prepared for:**  
 Mark Smith  
 REV RTC  
 725 SW 46TH AVE  
 OCALA, FL 34474  
 Phone: 352-816-7149



**Prepared by:**  
 John Grosboll  
 PREMIER TRUCK GROUP OF  
 DALLAS  
 4200 PORT BOULEVARD  
 DALLAS, TX 75241  
 Phone: 972 213 5290

Data Code	Description
708-016	MOLDED DOOR PANEL WITH UPPER VINYL INSERTS
772-006	BLACK MATS WITH SINGLE INSULATION
691-014	FORWARD ROOF MOUNTED CONSOLE WITH UPPER STORAGE COMPARTMENTS AND ADDITIONAL CENTER COMPARTMENT WITHOUT NETTING
694-010	IN DASH STORAGE BIN
742-007	(2) CUP HOLDERS LH AND RH DASH
680-006	GRAY/CHARCOAL FLAT DASH
860-004	SMART SWITCH EXPANSION MODULE
700-002	HEATER, DEFROSTER AND AIR CONDITIONER
701-001	STANDARD HVAC DUCTING
703-005	MAIN HVAC CONTROLS WITH RECIRCULATION SWITCH
* 689-803	PREP KIT FOR CUSTOMER INSTALLED AUXILIARY HEATER, PLUMBING FROM ENGINE TO BACK OF CAB WITH SHUTOFF VALVES
170-015	STANDARD HEATER PLUMBING
* 724-001	AUXILIARY HEATER PLUMBING
130-043	(1) VALEO HEAVY DUTY AND (1) SANDEN COMPACT REFRIGERANT COMPRESSORS
702-002	BINARY CONTROL, R-134A
739-034	PREMIUM INSULATION
285-013	SOLID-STATE CIRCUIT PROTECTION AND FUSES
280-007	12V NEGATIVE GROUND ELECTRICAL SYSTEM
324-011	DOMED DOOR ACTIVATED LH AND RH, DUAL READING LIGHTS, FORWARD CAB ROOF
657-001	DOOR LOCKS AND IGNITION SWITCH KEYED THE SAME
78G-002	KEY QUANTITY OF 2
655-005	LH AND RH ELECTRIC DOOR LOCKS
284-023	(1) 12 VOLT POWER SUPPLY IN DASH
756-1E7	SEATS INC 911 UNIVERSAL SERIES HIGH BACK AIR SUSPENSION DRIVER SEAT WITH NFPA 1901-2009/2016 COMPLIANT SEAT SENSOR
760-1E7	SEATS INC 911 UNIVERSAL SERIES HIGH BACK AIR SUSPENSION PASSENGER SEAT WITH NFPA 1901-2009/2016 COMPLIANT SEAT SENSOR
759-002	INBOARD DRIVER AND PASSENGER SEAT ARMRESTS





**Prepared for:**  
 Mark Smith  
 REV RTC  
 725 SW 46TH AVE  
 OCALA, FL 34474  
 Phone: 352-816-7149



**Prepared by:**  
 John Grosboll  
 PREMIER TRUCK GROUP OF  
 DALLAS  
 4200 PORT BOULEVARD  
 DALLAS, TX 75241  
 Phone: 972 213 5290

Data Code	Description
711-004	LH AND RH INTEGRAL DOOR PANEL ARMRESTS
758-036	VINYL WITH VINYL INSERT DRIVER SEAT
761-036	VINYL WITH VINYL INSERT PASSENGER SEAT
763-105	NFPA 1901-2009 HIGH VISIBILITY ORANGE SEAT BELTS
532-002	ADJUSTABLE TILT AND TELESCOPING STEERING COLUMN
540-015	4-SPOKE 18 INCH (450MM) STEERING WHEEL
765-002	DRIVER AND PASSENGER INTERIOR SUN VISORS

### Instruments & Controls

732-003	WOODGRAIN DRIVER INSTRUMENT PANEL
734-003	WOODGRAIN CENTER INSTRUMENT PANEL
* 87L-003	ENGINE REMOTE INTERFACE WITH PARK BRAKE AND NEUTRAL INTERLOCKS
870-001	BLACK GAUGE BEZELS
486-001	LOW AIR PRESSURE INDICATOR LIGHT AND AUDIBLE ALARM
840-002	2 INCH PRIMARY AND SECONDARY AIR PRESSURE GAUGES
198-003	DASH MOUNTED AIR RESTRICTION INDICATOR WITH GRADUATIONS
149-013	ELECTRONIC CRUISE CONTROL WITH SWITCHES IN LH SWITCH PANEL
156-007	KEY OPERATED IGNITION SWITCH AND INTEGRAL START POSITION; 4 POSITION OFF/RUN/START/ACCESSORY
811-042	ICU3S, 132X48 DISPLAY WITH DIAGNOSTICS, 28 LED WARNING LAMPS AND DATA LINKED
160-038	HEAVY DUTY ONBOARD DIAGNOSTICS INTERFACE CONNECTOR LOCATED BELOW LH DASH
844-001	2 INCH ELECTRIC FUEL GAUGE
148-070	ENGINE REMOTE INTERFACE WITH PRESET FAST IDLE
163-004	ENGINE REMOTE INTERFACE CONNECTOR IN ENGINE COMPARTMENT
856-001	ELECTRICAL ENGINE COOLANT TEMPERATURE GAUGE
864-001	2 INCH TRANSMISSION OIL TEMPERATURE GAUGE
830-017	ENGINE AND TRIP HOUR METERS INTEGRAL WITHIN DRIVER DISPLAY



**Prepared for:**  
 Mark Smith  
 REV RTC  
 725 SW 46TH AVE  
 OCALA, FL 34474  
 Phone: 352-816-7149



**Prepared by:**  
 John Grosboll  
 PREMIER TRUCK GROUP OF  
 DALLAS  
 4200 PORT BOULEVARD  
 DALLAS, TX 75241  
 Phone: 972 213 5290

Data Code	Description
372-051	CUSTOMER FURNISHED AND INSTALLED PTO CONTROLS
852-002	ELECTRIC ENGINE OIL PRESSURE GAUGE
679-998	NO OVERHEAD INSTRUMENT PANEL
746-135	AM/FM/WB WORLD TUNER RADIO WITH SIRIUSXM, BLUETOOTH, IPOD INTERFACE, USB AND AUXILIARY INPUTS, J1939
747-001	DASH MOUNTED RADIO
750-002	(2) RADIO SPEAKERS IN CAB
753-001	AM/FM ANTENNA MOUNTED ON FORWARD LH ROOF
78C-003	INTEROPERABLE SDAR ANTENNA
810-027	ELECTRONIC MPH SPEEDOMETER WITH SECONDARY KPH SCALE, WITHOUT ODOMETER
817-001	STANDARD VEHICLE SPEED SENSOR
812-001	ELECTRONIC 3000 RPM TACHOMETER
162-002	IGNITION SWITCH CONTROLLED ENGINE STOP
264-028	(2) LH AND RH FOOT SWITCHES WITH DASH SWITCH FOR HORN BUTTON TO CONTROL AIR HORN, DEFAULT TO ELECTRIC <85 PSI
836-015	DIGITAL VOLTAGE DISPLAY INTEGRAL WITH DRIVER DISPLAY
660-008	SINGLE ELECTRIC WINDSHIELD WIPER MOTOR WITH DELAY
304-001	MARKER LIGHT SWITCH INTEGRAL WITH HEADLIGHT SWITCH
27D-004	ALTERNATING FLASHING HEADLAMP SYSTEM WITH BODY BUILDER CONTROLLED ENGAGEMENT
882-009	ONE VALVE PARKING BRAKE SYSTEM WITH WARNING INDICATOR
299-013	SELF CANCELING TURN SIGNAL SWITCH WITH DIMMER, WASHER/WIPER AND HAZARD IN HANDLE
298-039	INTEGRAL ELECTRONIC TURN SIGNAL FLASHER WITH HAZARD LAMPS OVERRIDING STOP LAMPS

**Design**

065-000 PAINT: ONE SOLID COLOR

**Color**

980-5F6 CAB COLOR A: L0006EY WHITE ELITE EY



Prepared for:  
 Mark Smith  
 REV RTC  
 725 SW 46TH AVE  
 OCALA, FL 34474  
 Phone: 352-816-7149



Prepared by:  
 John Grosboll  
 PREMIER TRUCK GROUP OF  
 DALLAS  
 4200 PORT BOULEVARD  
 DALLAS, TX 75241  
 Phone: 972 213 5290

Data Code	Description
986-020	BLACK, HIGH SOLIDS POLYURETHANE CHASSIS PAINT
976-995	SUNVISOR PAINTED SAME AS CAB COLOR A
963-003	STANDARD E COAT/UNDERCOATING

**Certification / Compliance**

996-001	U.S. FMVSS CERTIFICATION, EXCEPT SALES CABS AND GLIDER KITS
---------	---

**Secondary Factory Options**

48Q-998	NO TIRE INFLATION DEVICE/SYSTEM
99B-001	SHIP TO FONTAINE (MOUNT HOLLY, NC) PRIOR TO DELIVERY

**Raw Performance Data**

AE8-99D	CALCULATED EFFECTIVE BACK OF CAB TO REAR SUSPENSION C/L (CA) : 105.66 in
---------	--

**Sales Programs**

NO SALES PROGRAMS HAVE BEEN SELECTED

**Extended Warranty**

WBB-344	TC4: MD MODERATE 5 YEARS/100,000 MILES / 161,000 KM EXTENDED TRUCK COVERAGE. FEX APPLIES
WAG-010	TOWING: 1 YEAR/UNLIMITED MILES/KM EXTENDED TOWING COVERAGE \$550 CAP FEX APPLIES

**Dealer Installed Options**

		Weight Front	Weight Rear
FILL	INSTALL FUEL NECK, CAP, AND RETURN STEM ON UNIT WITH 40 GALLON BTR FUEL TANK	0	0
LSS1	FURNISH & INSTALL LIQUID SPRING HYDRAULIC REAR SUSPENSION PACKAGE. IN-CAB CONTROL PAD TO	0	0



**Prepared for:**  
 Mark Smith  
 REV RTC  
 725 SW 46TH AVE  
 OCALA, FL 34474  
 Phone: 352-816-7149



**Prepared by:**  
 John Grosboll  
 PREMIER TRUCK GROUP OF  
 DALLAS  
 4200 PORT BOULEVARD  
 DALLAS, TX 75241  
 Phone: 972 213 5290

LSS2	BE LEFT LOOSE FOR CUSTOMER INSTALLATION. WIRING TO TRIGGER KNEEL FUNCTION WILL BE BUNDLED AND TIE STRAPPED	0	0
LSS3	TO CONTROL MODULE UNDER THE FRAME RAIL.	0	0
LSS4	LIQUID SPRING REAR SUSPENSION INSTALLATION AT UPFITTER. LIQUID SPRING IS NOT A FREIGHTLINER OR DEALER	0	0
LSS5	INSTALLED OPTION AND IS NOT COVERED BY FREIGHTLINER WARRANTY, ANY LIQUID SPRING SERVICE NEEDS	0	0
LSS6	TO BE PROVIDED BY LIQUID SPRING AND OR THEIR DEALERS, CUSTOMER MUST ASSUME RESPONSIBILITY FOR ANY CHARGES	0	0
LSS7	DELIVERY TO CUSTOMER FROM FONTAINE MODIFICATION CENTER.	0	0
Total Dealer Installed Options		0 lbs	0 lbs

(\*\*\*) All cost increases for major components (Engines, Transmissions, Axles, Front and Rear Tires) and government mandated requirements, tariffs, and raw material surcharges will be passed through and added to factory invoices.

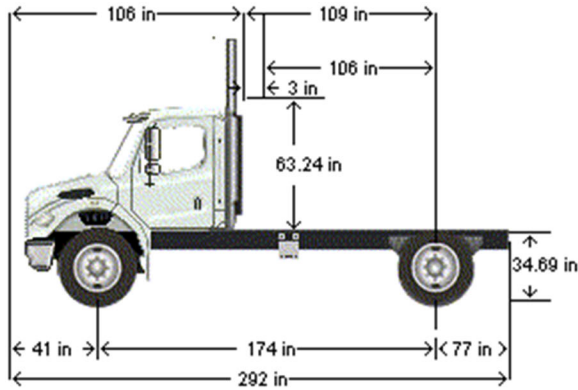


Prepared for:  
 Mark Smith  
 REV RTC  
 725 SW 46TH AVE  
 OCALA, FL 34474  
 Phone: 352-816-7149



Prepared by:  
 John Grosboll  
 PREMIER TRUCK GROUP OF  
 DALLAS  
 4200 PORT BOULEVARD  
 DALLAS, TX 75241  
 Phone: 972 213 5290

## D I M E N S I O N S



### VEHICLE SPECIFICATIONS SUMMARY - DIMENSIONS

Model .....	M2106
Wheelbase (545).....	4425MM (174 INCH) WHEELBASE
Rear Frame Overhang (552).....	1950MM (77 INCH) REAR FRAME OVERHANG
Fifth Wheel (578) .....	NO FIFTH WHEEL
Mounting Location (577) .....	NO FIFTH WHEEL LOCATION
Maximum Forward Position (in) .....	0
Maximum Rearward Position (in).....	0
Amount of Slide Travel (in) .....	0
Slide Increment (in) .....	0
Desired Slide Position (in).....	0.0
Cab Size (829) .....	106 INCH BBC FLAT ROOF ALUMINUM CONVENTIONAL CAB
Sleeper (682) .....	NO SLEEPER BOX/SLEEPER CAB
Exhaust System (016).....	RH OUTBOARD UNDER STEP MOUNTED HORIZONTAL AFTERTREATMENT SYSTEM ASSEMBLY WITH RH B-PILLAR MOUNTED VERTICAL TAILPIPE

### TABLE SUMMARY - DIMENSIONS



**Prepared for:**  
 Mark Smith  
 REV RTC  
 725 SW 46TH AVE  
 OCALA, FL 34474  
 Phone: 352-816-7149



**Prepared by:**  
 John Grosboll  
 PREMIER TRUCK GROUP OF  
 DALLAS  
 4200 PORT BOULEVARD  
 DALLAS, TX 75241  
 Phone: 972 213 5290

Dimensions	Inches
Bumper to Back of Cab (BBC)	106.3
Bumper to Centerline of Front Axle (BA)	40.7
Front Axle to Back of Cab (AC)	65.6
Min. Cab to Body Clearance (CB)	3.0
Back of Cab to Centerline of Rear Axle(s) (CA)	108.7
Effective Back of Cab to Centerline of Rear Axle(s) (Effective CA)	105.7
Back of Cab Protrusions (Exhaust/Intake) (CP)	2.0
Back of Cab Protrusions (Side Extenders/Trim Tab) (CP)	0.0
Back of Cab Protrusions (CNG Tank)	0.0
Back of Cab Clearance (CL)	3.0
Back of Cab to End of Frame	185.5
Cab Height (CH)	63.2
Wheelbase (WB)	174.2
Frame Overhang (OH)	76.8
Overall Frame Length	290.0
Overall Length (OAL)	291.8
Rear Axle Spacing	0.0
Unladen Frame Height at Centerline of Rear Axle	34.7

Performance calculations are estimates only. If performance calculations are critical, please contact Customer Application Engineering.



Prepared for:  
Mark Smith  
REV RTC  
725 SW 46TH AVE  
OCALA, FL 34474  
Phone: 352-816-7149



Prepared by:  
John Grosboll  
PREMIER TRUCK GROUP OF  
DALLAS  
4200 PORT BOULEVARD  
DALLAS, TX 75241  
Phone: 972 213 5290

**G V W R**

**VEHICLE SPECIFICATIONS SUMMARY - GVWR**

Model ..... M2106  
Cab Size (829) ..... 106 INCH BBC FLAT ROOF ALUMINUM CONVENTIONAL CAB  
Expected Front Axle(s) Load (lbs) ..... 10000.0  
Expected Pusher Axle(s) Load (lbs) ..... 0.0  
Expected Rear Axle(s) Load (lbs) ..... 12000.0  
Expected Tag Axle(s) Load (lbs) ..... 0.0  
Expected GVW (lbs) ..... 22000  
Expected GCW (lbs) ..... 0.0  
Front Axle (400) ..... DETROIT DA-F-10.0-3 10,000# FF1 71.5 KPI/3.74 DROP SINGLE FRONT AXLE  
Front Suspension (620) ..... 10,000# TAPERLEAF FRONT SUSPENSION  
Front Hubs (418) ..... CONMET PRESET PLUS PREMIUM IRON FRONT HUBS  
Front Disc Wheels (502) .....ALCOA LVL ONE 88267X 22.5X8.25 10-HUB PILOT 5.80 INSET ALUMINUM DISC FRONT WHEELS  
Front Tires (093) ..... MICHELIN XZE 255/70R22.5 16 PLY RADIAL FRONT TIRES  
Front Brakes (402) ..... MERITOR 15X4 Q+ CAM FRONT BRAKES  
Steering Gear (536) ..... TRW THP-60 POWER STEERING  
Rear Axle (420) ..... DETROIT DA-RS-17.5-4 17,500# R-SERIES SINGLE REAR AXLE  
Rear Suspension (622) ..... AIRLINER 12,000# REAR SUSPENSION  
Rear Hubs (450) ..... CONMET PRESET PLUS PREMIUM IRON REAR HUBS  
Rear Disc Wheels (505) .....ALCOA LVL ONE 88267X 22.5X8.25 10-HUB PILOT ALUMINUM DISC REAR WHEELS  
Rear Tires (094) ..... MICHELIN XZE 255/70R22.5 16 PLY RADIAL REAR TIRES  
Rear Brakes (423) .....MERITOR 15X8.62 Q+ CAST SPIDER CAM REAR BRAKES, DOUBLE ANCHOR, FABRICATED SHOES  
Pusher / Tag Axle (443) .....NO PUSHER OR TAG AXLE  
Pusher / Tag Suspension (626) ..... NO PUSHER OR TAG SUSPENSION  
Pusher / Tag Hubs (449) ..... NO PUSHER OR TAG HUBS  
Pusher/Tag Disc Wheels (509) ..... NO PUSHER/TAG DISC WHEELS  
Pusher / Tag Tires (095) .....NO PUSHER/TAG TIRES  
Pusher / Tag Brakes (456) .....NO PUSHER/TAG BRAKES

**TABLE SUMMARY - GVWR**



**Prepared for:**  
 Mark Smith  
 REV RTC  
 725 SW 46TH AVE  
 Ocala, FL 34474  
 Phone: 352-816-7149



**Prepared by:**  
 John Grosboll  
 PREMIER TRUCK GROUP OF  
 DALLAS  
 4200 PORT BOULEVARD  
 DALLAS, TX 75241  
 Phone: 972 213 5290

	Front	Rear
<b>Axle Component Weight Ratings</b>		
Axles	10000	17500
Suspension	10000	12000
Hubs	14700	26000
Brakes	13300	20000
Wheels	14800	29600
Tires	11020	20280
Power Steering	13300	N/A
GAWR (per axle)	10000	12000
GAWR (per axle system)	10000	12000
Expected Load (per axle system)	10000	12000
GVWR due to Frame	33000	
GVWR due to Transmission	300000	
<b>Vehicle GVWR Summary</b>		
Calculated GVWR	22000	
Expected GVWR	22000	
All weights displayed in pounds		

Performance calculations are estimates only. If performance calculations are critical, please contact Customer Application Engineering.





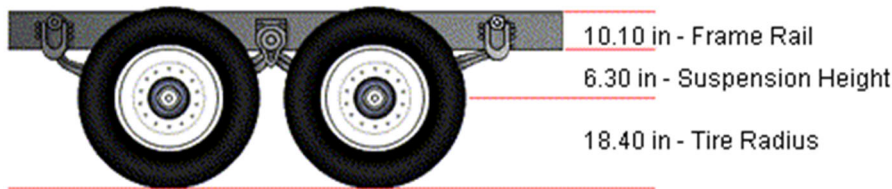
Prepared for:  
 Mark Smith  
 REV RTC  
 725 SW 46TH AVE  
 OCALA, FL 34474  
 Phone: 352-816-7149



Prepared by:  
 John Grosboll  
 PREMIER TRUCK GROUP OF  
 DALLAS  
 4200 PORT BOULEVARD  
 DALLAS, TX 75241  
 Phone: 972 213 5290

**UNLADEN FRAME HEIGHT**

Unladen Height	Requested	Calculated
Frame (in)	N/A	34.70



**VEHICLE SPECIFICATIONS SUMMARY - UNLADEN FRAME HEIGHT**

Model .....	M2106
Cab Size (829) .....	106 INCH BBC FLAT ROOF ALUMINUM CONVENTIONAL CAB
Frame Rails (546) .....	9/32X3-7/16X10-1/16 INCH STEEL FRAME (7.14MMX255.6/0.281X10.06 INCH) 80KSI(546)
Web Height (in) .....	10.0625
Flange Thickness (in) .....	0.28125
Rear Suspension (622) .....	AIRLINER 12,000# REAR SUSPENSION
Rear Suspension Ride Height (621) .....	AIRLINER MID POSITION RIDE HEIGHT
Axle C/L to Bottom of Frame (in) .....	6.279
Rear Tires (094) .....	MICHELIN XZE 255/70R22.5 16 PLY RADIAL REAR TIRES
Unladen Radius (in) .....	18.35
Fifth Wheel (578) .....	NO FIFTH WHEEL
Requested Min Height (in) .....	0.0
Requested Max Height (in) .....	1
Fifth Wheel Leg Height (582) .....	NO FIFTH WHEEL LEG HEIGHT
Rear Tow Device (587) .....	NO REAR TOWING DEVICE
Requested Min Height (in) .....	0.0
Requested Max Height (in) .....	0.0

Performance calculations are estimates only. If performance calculations are critical, please contact Customer Application Engineering.



**Prepared for:**  
Mark Smith  
REV RTC  
725 SW 46TH AVE  
OCALA, FL 34474  
Phone: 352-816-7149



**Prepared by:**  
John Grosboll  
PREMIER TRUCK GROUP OF  
DALLAS  
4200 PORT BOULEVARD  
DALLAS, TX 75241  
Phone: 972 213 5290

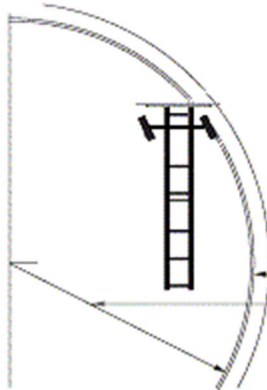


Prepared for:  
 Mark Smith  
 REV RTC  
 725 SW 46TH AVE  
 OCALA, FL 34474  
 Phone: 352-816-7149



Prepared by:  
 John Grosboll  
 PREMIER TRUCK GROUP OF  
 DALLAS  
 4200 PORT BOULEVARD  
 DALLAS, TX 75241  
 Phone: 972 213 5290

## TURNING RADIUS



Turning radius graphic and data provided strictly for comparisons between model configurations. Weather, road surfaces, and tire treads affect the results. It is strongly suggested that actual vehicles be measured before constructing any roads/driveways using this information. For specific figures regarding your configuration, please contact your CAE representative.

	Dimensions	Tolerance
Wall to Wall Diameter (ft)	48.3	+/- 3.0
Curb to Curb Diameter (ft)	46.5	+/- 3.0
Turning Radius (ft)	22.8	+/- 1.5

### VEHICLE SPECIFICATIONS SUMMARY - TURNING RADIUS

Model ..... M2106  
 Cab Size (829) ..... 106 INCH BBC FLAT ROOF ALUMINUM CONVENTIONAL CAB  
 Wheelbase (545) ..... 4425MM (174 INCH) WHEELBASE  
 Front Tires (093) ..... MICHELIN XZE 255/70R22.5 16 PLY RADIAL FRONT TIRES  
   Width (in) ..... 10.2  
 Front Axle (400) ..... DETROIT DA-F-10.0-3 10,000# FF1 71.5 KPI/3.74 DROP SINGLE FRONT AXLE  
   Kingpin Intersection (in) ..... 71.5  
 Bumper (556) ..... THREE-PIECE 14 INCH CHROMED STEEL BUMPER WITH COLLAPSIBLE ENDS  
   Width (in) ..... 93.5  
   Bumper Miter to Front Axle (in) ..... 21.458  
 Primary Steering Location (003) ..... LH PRIMARY STEERING LOCATION  
 Steering Gear (536) ..... TRW THP-60 POWER STEERING  
   Dual Steering Gear ..... NONE  
   Ram ..... NONE  
 Rear Axle (420) ..... DETROIT DA-RS-17.5-4 17,500# R-SERIES SINGLE REAR AXLE  
 Axle Spacing (624) ..... NO AXLE SPACING

Performance calculations are estimates only. If performance calculations are critical, please contact Customer Application Engineering.

