

FUEL ISLAND WOULD INCLUDE BOTH GAS AND DIESEL TANKS. A SOLAR ROOF AND BATTERY PACK INSTALLATION WOULD PROVIDE FOR USE DURING POWER OUTAGES

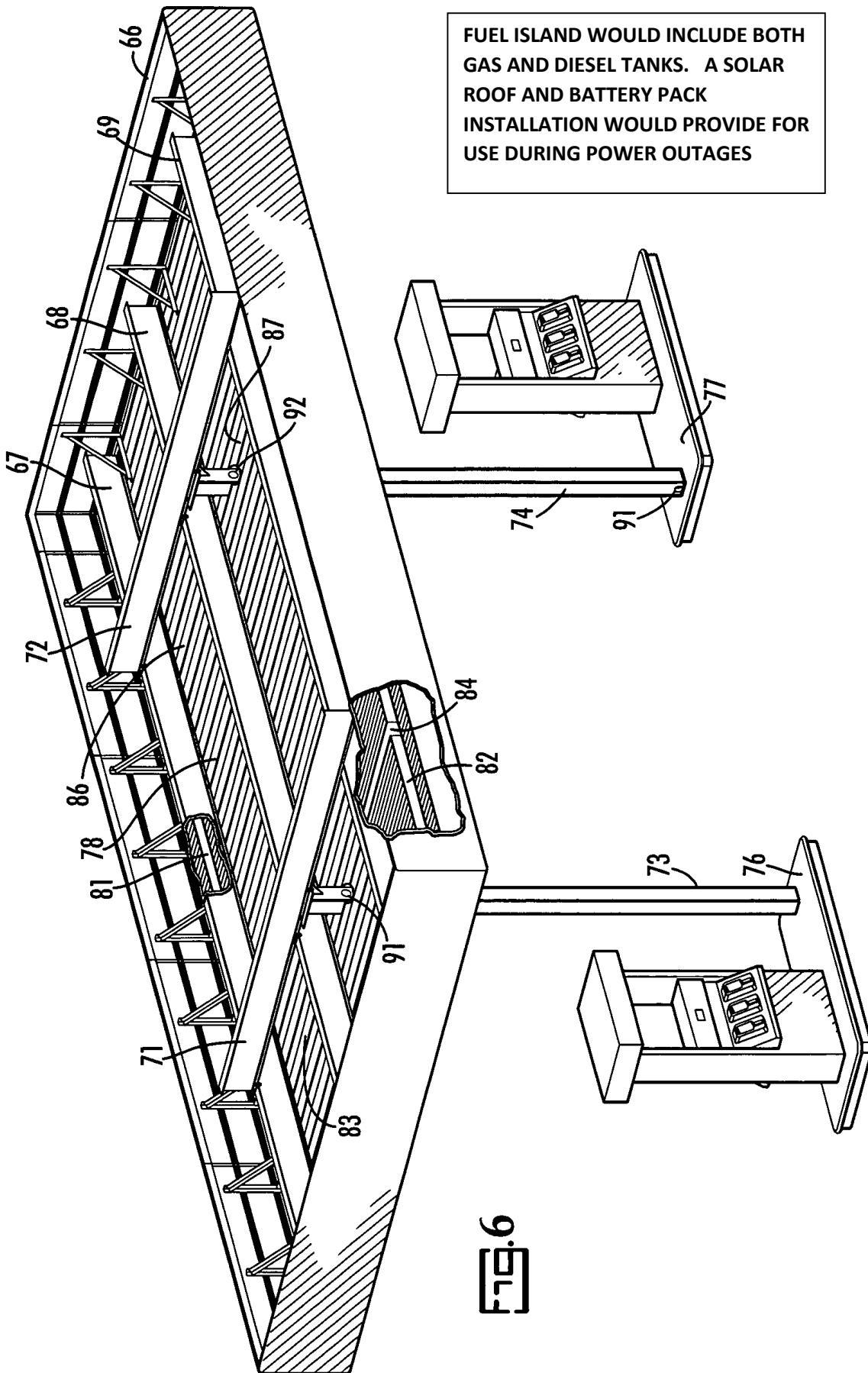


FIG. 6