

4

3

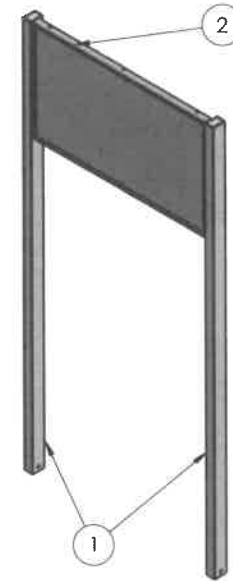
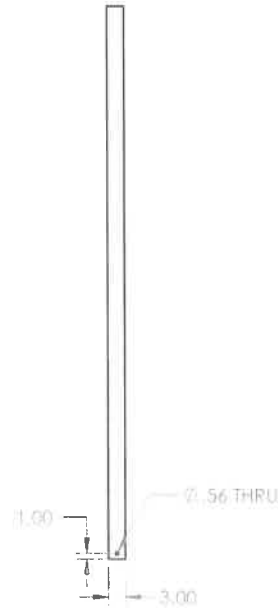
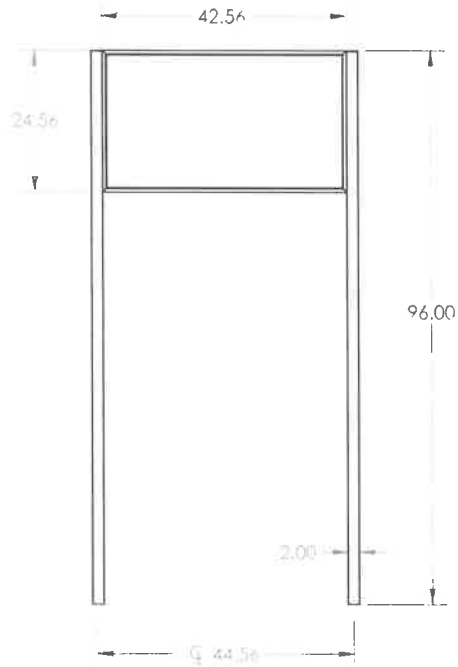
2

1

ITEM NO.	PART NUMBER	DESCRIPTION	QTY.
1	UP-P2396-24	UPRIGHT POST ASM	2
2	FA-2442R	24X42 PANEL FRAME	1



B



B

APPROVED AS IS *Heather Jeff*
 MAKE CHANGES AND PROCEED
 MAKE CHANGES AND RESUBMIT

A

PROJECT ID BD29901-1 P4462
 SUBMITTED TO JP
 SUBMITTED BY MM
 SUBMITTAL DATE 3-16-26
 MATERIAL ALUMINUM
 COLOR BLACK TEX PC
 QTY 8

CUSTOMER'S SIGNATURE DATE

DIMENSIONS ARE IN INCHES
 FRACTIONAL ± 1/32
 MACHINED ANGLE ± 0.5 DEG
 BEND ANGLE ± 1.0 DEG
 TWO PLACE DECIMAL ±0.030
 THREE PLACE DECIMAL ±0.010

DESCRIPTION UPRIGHT EXHIBIT

PROPRIETARY AND CONFIDENTIAL
 THE INFORMATION CONTAINED IN THIS
 DRAWING IS THE SOLE PROPERTY OF
 BDD. ANY REPRODUCTION IN PART OR
 AS A WHOLE WITHOUT THE WRITTEN
 PERMISSION OF BDD IS PROHIBITED.

SIZE FILE NAME REV
 B EB-U2442
 SCALE:1:20 WEIGHT: 1b47.97 SHEET 1 OF 1

4

3

2

1

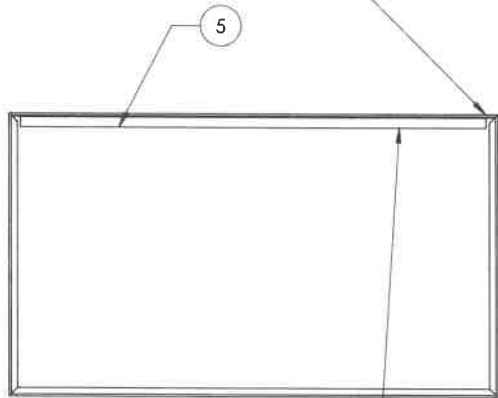
8
BARKING DOG

TOP "L" EXTRUSION ATTACHES TO FRAME USING 1/4-20 FHSCS & NYLOCK NUTS

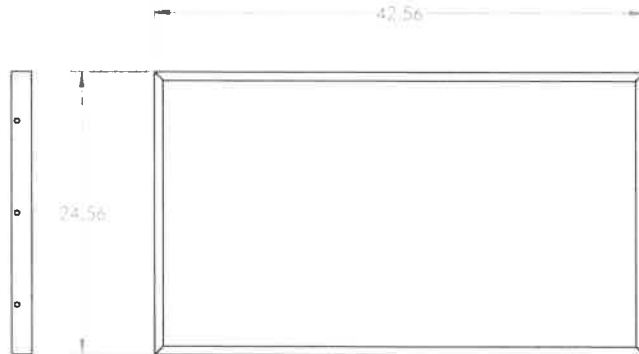


ITEM	PART NUMBER	DESCRIPTION	MATERIAL	QTY
1	FA-2442R-1	PRE-CUT "E" EXTRUSION	6061 (AL)	1
2	FA-2442R-2	PRE-CUT "F" EXTRUSION	6061 (AL)	2
3	FA-2442R-3	PRE-CUT "L" EXTRUSION	6061 (AL)	1
4	FA-2442R-4	BACK SHEET FOR 24 X 42" PANEL	5052 (AL)	1
5	FA-42-ANGLE	ALUMINUM ANGLE	5052 (AL)	1

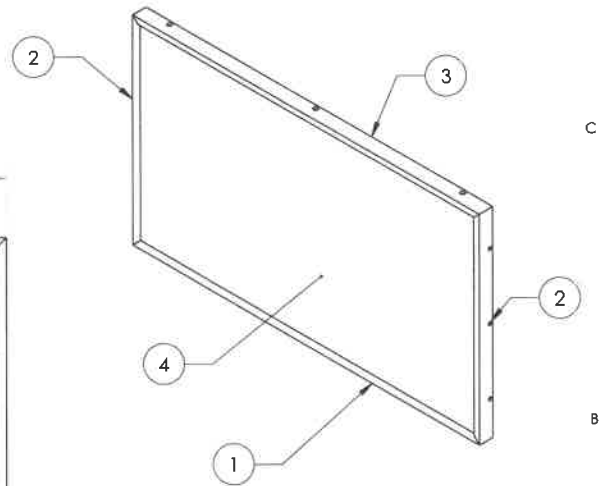
DO NOT WELD ANGLES TO "L" EXTRUSION



SKIP ANGLE TO SHEET TYP



2X DRAIN HOLES



UNLESS OTHERWISE SPECIFIED

- DIMENSIONS ARE IN INCHES
- DIMENSIONAL TOLERANCES
- FRACTIONAL ± 1/32
- ANGULAR: MACH ± .5°/BEND ± 1°
- TWO PLACE DECIMAL ± .030
- THREE PLACE DECIMAL ± .010

NAME DATE
DRAWN DDH 6/19/2013
LAST SAVE Barking Dog/2024

MATERIAL
ALUMINUM

TITLE:
24 X 42 PANEL FRAME

PROJECTION: DWG. NO.

FA-2442R

REV SIZE

A B

SCALE: 1:10

WEIGHT:

SHEET 1 OF 2

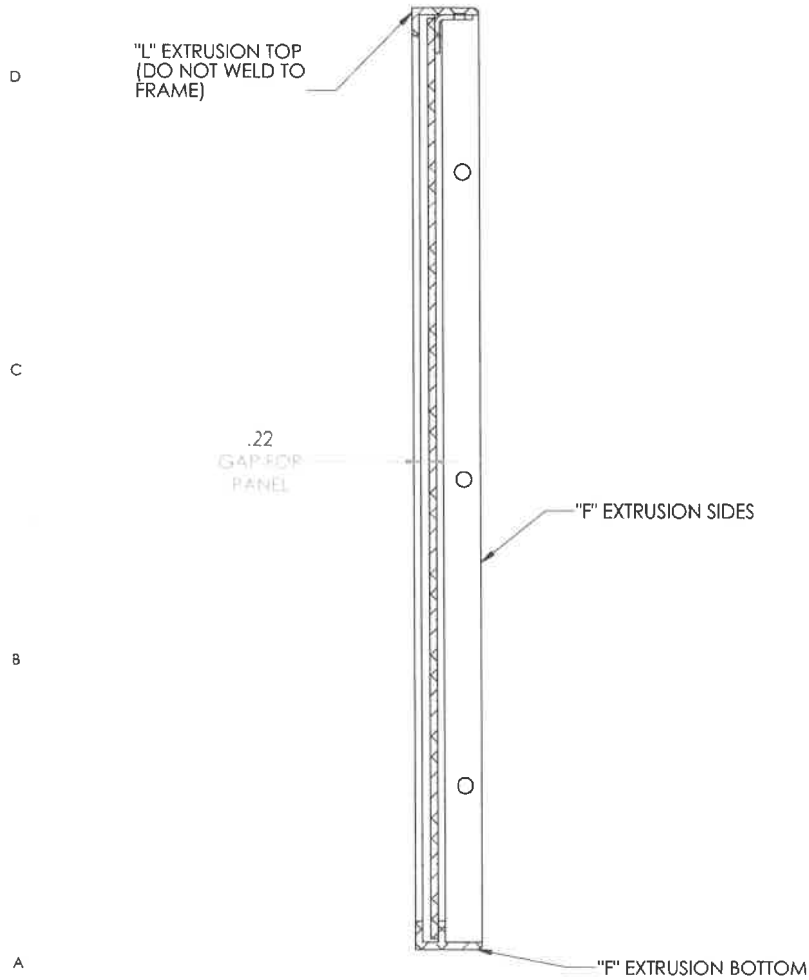
REV.	DESCRIPTION	DATE
A	FA-42-ANGLE WAS FA-2442R-5	11/28/2022

PROPRIETARY AND CONFIDENTIAL

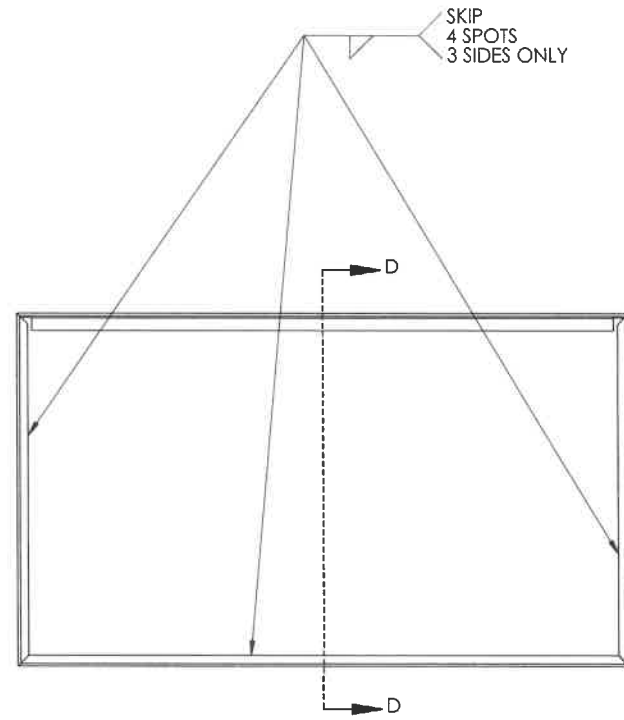
THE INFORMATION CONTAINED IN THIS DRAWING IS THE SOLE PROPERTY OF BARKING DOG EXHIBITS. ANY REPRODUCTION IN PART OR AS A WHOLE WITHOUT THE WRITTEN PERMISSION OF BARKING DOG EXHIBITS IS PROHIBITED.

DO NOT SCALE DRAWING

8
BARKING DOG



SECTION D-D
SCALE 1 : 3



UNLESS OTHERWISE SPECIFIED
-DIMENSIONS ARE IN INCHES
-DIMENSIONAL TOLERANCES
FRACTIONAL $\pm 1/32$
ANGULAR: MACH $\pm .5^\circ$ / BEND $\pm 1^\circ$
TWO PLACE DECIMAL $\pm .030$
THREE PLACE DECIMAL $\pm .010$

NAME DATE
DRAWN DDH 6/19/2013
LAST SAVE Barking Dog 3/19/2024

MATERIAL:
ALUMINUM

TITLE:
24 X 42 PANEL FRAME

PROJECTION: DWG. NO.

PROPRIETARY AND CONFIDENTIAL
THE INFORMATION CONTAINED IN THIS DRAWING IS THE SOLE PROPERTY OF
BARKING DOG EXHIBITS. ANY REPRODUCTION IN PART OR AS A WHOLE
WITHOUT THE WRITTEN PERMISSION OF BARKING DOG EXHIBITS IS PROHIBITED.

DO NOT SCALE DRAWING

FA-2442R

SCALE: 1:10

WEIGHT:

REV SIZE
A B
SHEET 2 OF 2