

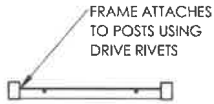
4

3

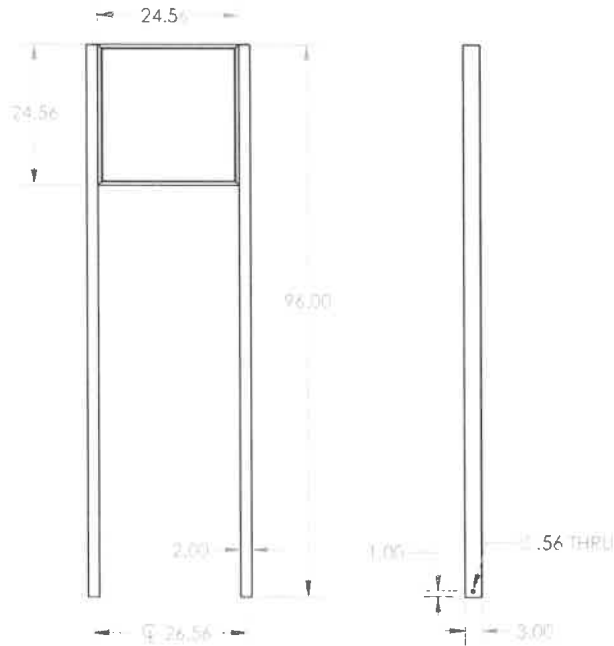
2

1

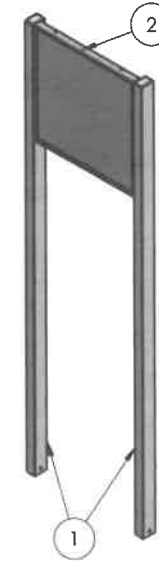
| ITEM NO. | PART NUMBER | DESCRIPTION       | QTY. |
|----------|-------------|-------------------|------|
| 1        | UP-P2396-24 | UPRIGHT POST ASM  | 2    |
| 2        | FA-2424R    | 24X24 PANEL FRAME | 1    |



B



A



B

APPROVED AS IS *Heather Joffe*  
 MAKE CHANGES AND PROCEED  
 MAKE CHANGES AND RESUBMIT

A

PROJECT ID BD29901-1 P4462  
 SUBMITTED TO JP  
 SUBMITTED BY MM  
 SUBMITAL DATE 3-16-26  
 MATERIAL ALUMINUM  
 COLOR BLACK TEX PC  
 QTY 18

CUSTOMER'S SIGNATURE DATE

DIMENSIONS ARE IN INCHES  
 FRACTIONAL ± 1/32  
 MACHINED ANGLE ± 0.5 DEG  
 BEND ANGLE ± 1.0 DEG  
 TWO PLACE DECIMAL ±0.030  
 THREE PLACE DECIMAL ±0.010

DESCRIPTION UPRIGHT EXHIBIT

PROPRIETARY AND CONFIDENTIAL  
 THE INFORMATION CONTAINED IN THIS DRAWING IS THE SOLE PROPERTY OF BDD. ANY REPRODUCTION IN PART OR AS A WHOLE WITHOUT THE WRITTEN PERMISSION OF BDD IS PROHIBITED.

SIZE FILE NAME REV  
 B EB-U2424  
 SCALE: 1:20 WEIGHT: 1538.00 SHEET 1 OF 1

4

3

2

1

4

3

2

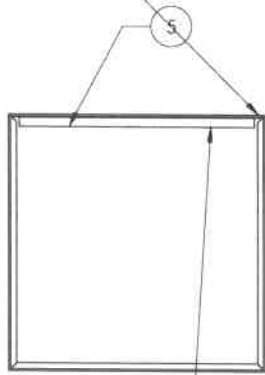
1

| ITEM NO. | PART NUMBER | DESCRIPTION   | QTY. |
|----------|-------------|---------------|------|
| 1        | FA-2424R-1  | "F" EXTRUSION | 1    |
| 2        | FA-2424R-2  | "F" EXTRUSION | 2    |
| 3        | FA-2424R-3  | "L" EXTRUSION | 1    |
| 4        | FA-2424R-4  | BACK SHEET    | 1    |
| 5        | FA-24-ANGLE | FRAME ANGLE   | 1    |

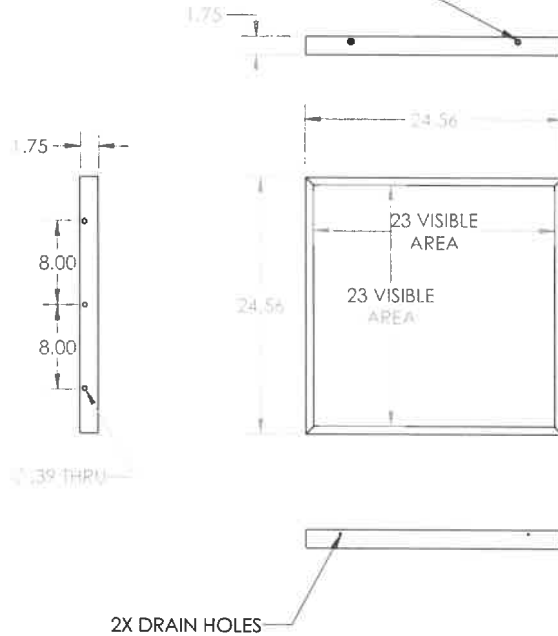
DO NOT WELD ANGLES TO "L" EXTRUSION

TOP "L" EXTRUSION ATTACHES TO FRAME USING 1/4-20 FHSCS & NYLOCK NUTS

B

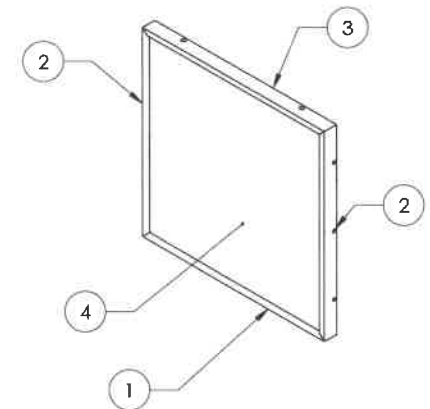


SKIP ANGLE TO SHEET TYP



2X DRAIN HOLES

A



APPROVED AS IS  
MAKE CHANGES AND PROCEED  
MAKE CHANGES AND RESUBMIT

PROJECT ID  
SUBMITTED TO  
SUBMITTED BY  
SUBMITTAL DATE  
MATERIAL ALUMINUM  
COLOR  
QTY

DIMENSIONS ARE IN INCHES  
FRACTIONAL ± 1/32  
MACHINED ANGLE ± 0.5 DEG  
BEND ANGLE ± 1.0 DEG  
TWO PLACE DECIMAL ±0.030  
THREE PLACE DECIMAL ±0.010

PROPRIETARY AND CONFIDENTIAL  
THE INFORMATION CONTAINED IN THIS DRAWING IS THE SOLE PROPERTY OF BOND. ANY REPRODUCTION IN PART OR AS A WHOLE WITHOUT THE WRITTEN PERMISSION OF BOND IS PROHIBITED.

CUSTOMER'S SIGNATURE DATE

DESCRIPTION  
**24X24 PANEL FRAME**

SIZE FILE NAME  
**B FA-2424R**  
SCALE: 1:11 WEIGHT: 15.7506 SHEET 1 OF 2

4

3

2

1

B

A

4

3

2

1

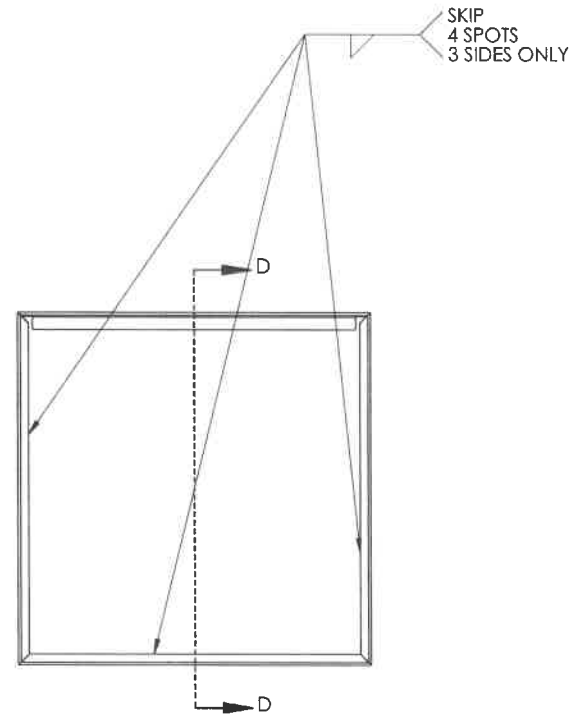
"L" EXTRUSION TOP  
(DO NOT WELD TO  
FRAME)

.2"  
GAP FOR  
PANEL

"F" EXTRUSION SIDES

"F" EXTRUSION BOTTOM

SECTION D-D  
SCALE 1 : 3



DESIGNED BY

MATERIAL

ALUMINUM

DIMENSIONS ARE IN INCHES  
FRACTIONAL ± 1/32  
MACHINED ANGLE ± 0.5 DEG  
BEND ANGLE ± 1.0 DEG  
TWO PLACE DECIMAL ±0.030  
THREE PLACE DECIMAL ±0.010

**PROPRIETARY AND CONFIDENTIAL**  
THE INFORMATION CONTAINED IN THIS  
DRAWING IS THE SOLE PROPERTY OF  
BARKING DOG INTERPRETIVE DESIGN, INC.  
ANY REPRODUCTION IN PART OR AS A  
WHOLE WITHOUT THE WRITTEN PERMISSION  
OF BARKING DOG INTERPRETIVE DESIGN,  
INC. IS PROHIBITED

DESCRIPTION

24X24 PANEL FRAME

SIZE FILE NAME

B FA-2424R

SCALE:1:10

WEIGHT: 15.7506

SHEET 2 OF 2

REV

REV

REVISION DESCRIPTION

REV BY

DATE

B

B

A

A

4

3

2

1