

Prepared for: Mike Genest, Town of Casco

2024 F-600 Chassis 4x4 SD Regular Cab 145" WB DRW XL (F6L)

Price Level: 425



Client Proposal

Prepared by:

Bob Berwick

Office: 207-295-7238

Email: bob@CASCOBAYFORD.COM

Date: 01/17/2024



Casco Bay Ford | 1213 Route 1, Yarmouth, Maine, 040966982

Office: 207-846-5577

Prepared for: Mike Genest

Town of Casco

Prepared by: Bob Berwick

01/17/2024

Casco Bay Ford | 1213 Route 1 Yarmouth Maine | 040966982



2024 F-600 Chassis 4x4 SD Regular Cab 145" WB DRW XL (F6L)

Price Level: 425

Mike Genest, Town of Casco

Re: Vehicle Proposal 01/17/2024

Dear Mike,

Thank you very much for your interest in acquiring a vehicle from our dealership. We concur that your interest is well deserved. We hope that an outstanding product lineup and our dedication to customer service will enhance your ownership experience should you decide to buy a vehicle from us.

Attached, please find additional information that I hope will assist you in making a more informed decision. Please feel free to contact me at any time as I would truly appreciate the opportunity to be of service to you.

Sincerely,

Bob Berwick

Commercial /Fleet Sales Manager

207-295-7238

bob@CASCOBAYFORD.COM

Prepared for: Mike Genest

Town of Casco

Prepared by: Bob Berwick

01/17/2024



Casco Bay Ford | 1213 Route 1 Yarmouth Maine | 040966982

2024 F-600 Chassis 4x4 SD Regular Cab 145" WB DRW XL (F6L)

Price Level: 425

Table of Contents

Description	Page
Cover Page	1
Cover Letter	2
Table of Contents	3
As Configured Vehicle	4
Selected Equip & Specs	7
Warranty	20
Window Sticker	21
Vehicle Dimension and Performance	23

Prepared for: Mike Genest



Town of Casco

Prepared by: Bob Berwick

01/17/2024

Casco Bay Ford | 1213 Route 1 Yarmouth Maine | 040966982

2024 F-600 Chassis 4x4 SD Regular Cab 145" WB DRW XL (F6L)

Price Level: 425

As Configured Vehicle

Code	Description	MSRP
Base Vehicle		
F6L	Base Vehicle Price (F6L)	\$60,910.00
Packages		
680A	Order Code 680A <i>Includes:</i> - Engine: 7.3L 2V DEVCT NA PFI V8 Gas - Transmission: TorqShift 10-Speed Automatic 10R140 with neutral idle. Includes SelectShift and selectable drive modes: normal, tow/haul, eco, slippery roads and off-road. - Limited Slip w/4.88 Axle Ratio - GVWR: 22,000 lbs Payload Package - Wheels: 19.5" x 6.75" Argent Painted Steel - Radio: AM/FM Stereo w/MP3 Player Includes 4 speakers. - SYNC 4 Communications & Entertainment System Includes enhanced voice recognition, 911 Assist, 8" LCD center stack screen, AppLink, 1 smart-charging USB port and trailer brake controller.	N/C
Powertrain		
99N	Engine: 7.3L 2V DEVCT NA PFI V8 Gas	Included
44G	Transmission: TorqShift 10-Speed Automatic <i>10R140 with neutral idle. Includes SelectShift and selectable drive modes: normal, tow/haul, eco, slippery roads and off-road.</i>	Included
STDGV	GVWR: 22,000 lbs Payload Package	Included
Wheels & Tires		
TGT	Tires: 245/70Rx19.5 BSW Traction (6) <i>Spare may not be the same as road tire.</i>	\$215.00
64B	Wheels: 19.5" x 6.75" Argent Painted Steel	Included
Seats & Seat Trim		
1	Cloth 40/20/40 Split Bench Seat <i>Includes center armrest, cupholder, storage and driver's side manual lumbar.</i>	\$100.00
Other Options		

Prices and content availability as shown are subject to change and should be treated as estimates only. Actual base vehicle, package and option pricing may vary from this estimate because of special local pricing, availability or pricing adjustments not reflected in the dealer's computer system. See salesperson for the most current information.

Prepared for: Mike Genest

Town of Casco

Prepared by: Bob Berwick

01/17/2024

Casco Bay Ford | 1213 Route 1 Yarmouth Maine | 040966982

2024 F-600 Chassis 4x4 SD Regular Cab 145" WB DRW XL (F6L)

Price Level: 425

As Configured Vehicle (cont'd)

Code	Description	MSRP
PAINT	Monotone Paint Application	STD
145WB	145" Wheelbase	STD
STDRD	Radio: AM/FM Stereo w/MP3 Player <i>Includes 4 speakers.</i>	Included
	<i>Includes:</i> - SYNC 4 Communications & Entertainment System <i>Includes enhanced voice recognition, 911 Assist, 8" LCD center stack screen, AppLink, 1 smart-charging USB port and trailer brake controller.</i>	
61J	6-Ton Hydraulic Jack	\$55.00
96V	XL Chrome Package <i>Includes:</i> - Chrome Front Bumper - Bright Grille - Remote Start - Halogen Fog Lamps	\$225.00
473	Snow Plow Prep Package <i>Includes pre-selected springs (see order guide supplemental reference for springs/FGAWR of specific vehicle configurations). Note 1: Restrictions apply; see supplemental reference or body builders layout book for details. Note 2: Also allows for the attachment of a winch. Note 3: Highly recommended to add (86M) dual battery on 7.3L gas engine. Adding (67B) 410 amp dual alternators for diesel engine is highly recommended for max power output.</i>	\$250.00
41P	Transfer Case Skid Plates	\$100.00
86M	Dual 68 AH/65 AGM Battery	\$210.00
67B	410 Amp Dual Alternators <i>Includes 250 Amp + 160 Amp.</i>	\$115.00
18B	Platform Running Boards	\$320.00
872	Rear View Camera & Prep Kit <i>Pre-installed content includes cab wiring and frame wiring to the rear most cross member. Upfitters kit includes camera with mounting bracket, 20' jumper wire and camera mounting/aiming instructions.</i>	\$415.00

Fleet Options

WARANT	Fleet Customer Powertrain Limited Warranty Requires valid FIN code.	N/C
--------	---	-----

Prices and content availability as shown are subject to change and should be treated as estimates only. Actual base vehicle, package and option pricing may vary from this estimate because of special local pricing, availability or pricing adjustments not reflected in the dealer's computer system. See salesperson for the most current information.

Prepared for: Mike Genest

Town of Casco

Prepared by: Bob Berwick

01/17/2024



Casco Bay Ford | 1213 Route 1 Yarmouth Maine | 040966982

2024 F-600 Chassis 4x4 SD Regular Cab 145" WB DRW XL (F6L)

Price Level: 425

As Configured Vehicle (cont'd)

Code	Description	MSRP
<p><i>Ford is increasing the 5-year 60,000-mile limited powertrain warranty to 5-years, 100,000 miles. Only Fleet purchasers with a valid Fleet Identification Number (FIN code) will receive the extended warranty. When the sale is entered into the sales reporting system with a sales type fleet along with a valid FIN code, the warranty extension will automatically be added to the vehicle. The extension will stay with the vehicle even if it is subsequently sold to a non-fleet customer before the expiration. This extension applies to both gas and diesel powertrains. Dealers can check for the warranty extension on eligible fleet vehicles in OASIS. Please refer to the Warranty and Policy Manual section 3.13.00 Gas Engine Commercial Warranty. This change will also be reflected in the printed Warranty Guided distributed with the purchase of every new vehicle.</i></p>		

Emissions

425	50-State Emissions System	STD
-----	---------------------------	-----

Exterior Color

Z1_01	Oxford White	N/C
-------	--------------	-----

Interior Color

1S_06	Medium Dark Slate w/Cloth 40/20/40 Split Bench Seat	N/C
-------	---	-----

SUBTOTAL	\$62,915.00
Destination Charge	\$1,995.00
TOTAL	\$64,910.00

Prices and content availability as shown are subject to change and should be treated as estimates only. Actual base vehicle, package and option pricing may vary from this estimate because of special local pricing, availability or pricing adjustments not reflected in the dealer's computer system. See salesperson for the most current information.

Prepared for: Mike Genest

Town of Casco

Prepared by: Bob Berwick

01/17/2024



Casco Bay Ford | 1213 Route 1 Yarmouth Maine | 040966982

2024 F-600 Chassis 4x4 SD Regular Cab 145" WB DRW XL (F6L)

Price Level: 425

Selected Equip & Specs

Dimensions

- Conventional Capacity: 18,500 lbs.
- Fifth-wheel towing capacity: 23,000 lbs.
- Vehicle body length: 230.7"
- Wheelbase: 145.0"
- Rear track: 74.0"
- Cab to axle: 60.0"
- Axle to end of frame: 47.2"
- Frame yield strength (psi): 50000.0
- Front bumper to front axle: 38.3"
- Front brake diameter: 15.4"
- Interior rear cargo volume: 11.6 cu.ft.
- Total passenger volume: 64.6 cu.ft.
- Leg room first-row: 43.9"
- Hip room first-row: 62.5"
- GCWR: 31,500 lbs.
- Gooseneck towing capacity: 23,100 lbs.
- Vehicle body width: 80.0"
- Front track: 74.8"
- Vehicle turning radius: 21.2'
- Rear tire outside width: 93.9"
- Frame section modulus: 12.7 cu.in.
- Frame rail width: 34.2"
- Front bumper to back of cab: 123.7"
- Rear brake diameter: 15.8"
- Max interior rear cargo volume: 11.6 cu.ft.
- Headroom first-row: 40.8"
- Shoulder room first-row: 66.7"

Powertrain

- 7.3L V-8 DEVCT variable valve control, engine with 335HP
- Injection Type: sequential MPI
- Horsepower: 335 HP@3750 RPM
- Radiator
- 10-speed automatic
- Four-wheel drive
- Mechanical limited slip differential
- Auto locking hub control
- Engine cylinders: V-8
- Spark ignition system
- Torque: 468 lb.-ft. @3750 RPM
- Auxiliary power take-off
- Part-time 4WD
- Recommended fuel: regular unleaded
- Driveline managed traction control
- Electronic transfer case shift

Fuel Economy and Emissions

- Gasoline secondary fuel type
- Federal emissions

Suspension and Handling

- Firm ride suspension
- Heavy-duty rear shock absorbers
- Heavy-duty front shock absorbers

Driveability

- 4-wheel disc brakes
- 4-wheel antilock (ABS) brakes
- Brake assist system
- Mono-beam rigid axle front suspension
- Front coil springs
- Leaf spring rear suspension
- Front and rear ventilated disc brakes
- Four channel ABS brakes
- Hill Start Assist
- Front anti-roll bar
- DANA M300 rigid axle rear suspension
- Rear anti-roll bar

Prices and content availability as shown are subject to change and should be treated as estimates only. Actual base vehicle, package and option pricing may vary from this estimate because of special local pricing, availability or pricing adjustments not reflected in the dealer's computer system. See salesperson for the most current information.

Prepared for: Mike Genest

Town of Casco

Prepared by: Bob Berwick

01/17/2024



Casco Bay Ford | 1213 Route 1 Yarmouth Maine | 040966982

2024 F-600 Chassis 4x4 SD Regular Cab 145" WB DRW XL (F6L)

Price Level: 425

Selected Equip & Specs (cont'd)

- Hydraulic power-assist steering system
- 2-wheel steering system
- Re-circulating ball steering

Body Exterior

- Trailer wiring harness
- 2 doors
- Monotone paint
- Black side window trim
- Black door handles
- * **Body-coloured front bumper rub strip**
- * **Black grille with chrome accents**
- Manual extendable trailer mirrors
- Turn signal indicator in door mirrors
- 19.5 x 6.75-inch front and dual rear argent steel wheels
- * **Running boards**
- Clearcoat paint
- Black fender flares
- Black windshield trim
- * **Chrome front bumper**
- 2 front tow hooks
- Black door mirrors
- Convex spotter in driver and passenger side door mirrors
- * **LT245/70RS19.5 AT BSW front and rear tires**

Convenience

- Power door locks with 2 stage unlocking
- All-in-one remote fob and ignition key
- * **FordPass Connect smart device and keyfob vehicle start control**
- Power first-row windows
- Illuminated locking glove box
- Front beverage holders
- Instrument panel covered bin
- Retained accessory power
- Trip computer
- Over the air updates
- Keyfob activated door locks
- Cruise control with steering wheel mounted controls
- Day/Night rearview mirror
- Fixed rear windshield
- Illuminated glove box
- 6 beverage holders
- Dashboard storage
- PRND in IP
- Upfitter switches

Comfort

- Manual climate control
- Cloth headliner material
- Full vinyl floor covering
- Manual tilting steering wheel
- Urethane steering wheel
- Cabin air filter
- Full headliner coverage
- Full floor coverage
- Manual telescopic steering wheel

Seats and Trim

- Seating capacity: 3
- Split-bench front seat
- Front passenger seat with 4-way directional controls
- 40-20-40 split-bench front seat
- Driver seat with 4-way directional controls
- Height adjustable front seat head restraints

Prices and content availability as shown are subject to change and should be treated as estimates only. Actual base vehicle, package and option pricing may vary from this estimate because of special local pricing, availability or pricing adjustments not reflected in the dealer's computer system. See salesperson for the most current information.

Prepared for: Mike Genest

Town of Casco

Prepared by: Bob Berwick

01/17/2024



Casco Bay Ford | 1213 Route 1 Yarmouth Maine | 040966982

2024 F-600 Chassis 4x4 SD Regular Cab 145" WB DRW XL (F6L)

Price Level: 425

Selected Equip & Specs (cont'd)

- Manual front seat head restraint control
- Front seat armrest storage
- Manual driver seat fore/aft control
- Manual passenger seat fore/aft control
- * **Cloth front seat upholstery**
- Front seat center armrest
- Manual reclining driver seat
- Manual reclining passenger seat
- Manual driver seat lumbar

Entertainment Features

- 2 total number of 1st row displays
- Primary touchscreen display
- In-vehicle audio
- FM radio
- SYNC 4 external memory control
- Standard grade speakers
- SYNC 4 voice activated audio controls
- Wireless audio streaming
- 8 inch primary LCD display
- AM/FM stereo radio
- AM radio
- Seek scan
- Speakers number: 4
- Steering wheel mounted audio controls
- Speed sensitive volume
- Fixed audio antenna

Lighting, Visibility and Instrumentation

- Digital/analog instrumentation display
- Trip odometer
- Compass
- Driver information center
- Tachometer
- Engine/electric motor temperature gauge
- Engine hour meter
- Aero-composite headlights
- Autolamp auto on/off headlight control
- Delay-off headlights
- Variable intermittent front windshield wipers
- Illuminated entry
- Daytime running lights
- Cab clearance lights
- Fade interior courtesy lights
- Configurable instrumentation gauges
- In-radio display clock
- Exterior temperature display
- Gauge cluster display size (inches): 4.20
- Oil pressure gauge
- Transmission fluid temperature gauge
- Light tinted windows
- Halogen headlights
- Multiple enclosed headlights
- DRL preference setting
- Front reading lights
- Variable instrument panel light
- * **Front fog lights**
- Remote activated perimeter approach lighting

Technology and Telematics

- SYNC 4 911 Assist emergency SOS system via mobile device
- AppLink/Apple CarPlay and Android Auto smart device wireless mirroring
- 2 USB ports
- SYNC 4 handsfree wireless device connectivity
- FordPass Connect 5G mobile hotspot internet access

Safety and Security

Prices and content availability as shown are subject to change and should be treated as estimates only. Actual base vehicle, package and option pricing may vary from this estimate because of special local pricing, availability or pricing adjustments not reflected in the dealer's computer system. See salesperson for the most current information.

Prepared for: Mike Genest

Town of Casco

Prepared by: Bob Berwick

01/17/2024



Casco Bay Ford | 1213 Route 1 Yarmouth Maine | 040966982

2024 F-600 Chassis 4x4 SD Regular Cab 145" WB DRW XL (F6L)

Price Level: 425

Selected Equip & Specs (cont'd)

- Driver front impact airbag
- Safety Canopy System curtain first-row overhead airbags
- Seat mounted side impact front passenger airbag
- Front height adjustable seatbelts
- Remote panic alarm
- Pre-Collision Assist with Automatic Emergency Braking (AEB) forward collision mitigation
- AdvanceTrac w/Roll Stability Control electronic stability control system with anti-roll
- Seat mounted side impact driver airbag
- Cancellable front passenger air bag
- 6 airbags
- SecuriLock immobilizer
- Lane Departure Warning
- * **Rear mounted camera**

Dimensions

General Weights

Curb weight	7,216 lbs.	Rear curb weight	3,119 lbs.
GVWR	22,000 lbs.	Payload	14,780 lbs.

Trailer Weights

Fifth-wheel towing capacity	23,000 lbs.	Gooseneck towing capacity	23,100 lbs.
Conventional capacity	18,500 lbs.	GCWR	31,500 lbs.

Front Weights

Front curb weight	4,097 lbs.	GAWR front	7,500 lbs.
Axle capacity front	7,500 lbs.	Spring rating front	7,500 lbs.
Tire/wheel capacity front	9,080 lbs.		

Rear Weights

GAWR rear	15,500 lbs.	Axle capacity rear	15,500 lbs.
Spring rating rear	15,500 lbs.	Tire/wheel capacity rear	17,200 lbs.

Exterior Measurements

Vehicle body length	230.7"	Vehicle body width	80.0"
Wheelbase	145.0"	Front brake diameter	15.4"
Rear brake diameter	15.8"	Rear frame height loaded	28.6"
Rear frame height unloaded	35.1"	Front track	74.8"
Rear track	74.0"	Vehicle turning radius	21.2'
Cab to axle	60.0"	Rear tire outside width	93.9"
Axle to end of frame	47.2"	Frame section modulus	12.7 cu.in.
Frame yield strength (psi)	50000.0	Frame rail width	34.2"
Front bumper to front axle	38.3"	Front bumper to back of cab	123.7"

Interior Measurements

Interior rear cargo volume	11.6 cu.ft.	Max interior rear cargo volume	11.6 cu.ft.
----------------------------	-------------	--------------------------------	-------------

Interior Volume

Total passenger volume	64.6 cu.ft.
------------------------	-------------

Prices and content availability as shown are subject to change and should be treated as estimates only. Actual base vehicle, package and option pricing may vary from this estimate because of special local pricing, availability or pricing adjustments not reflected in the dealer's computer system. See salesperson for the most current information.

Prepared for: Mike Genest



Town of Casco

Prepared by: Bob Berwick

01/17/2024

Casco Bay Ford | 1213 Route 1 Yarmouth Maine | 040966982

2024 F-600 Chassis 4x4 SD Regular Cab 145" WB DRW XL (F6L)

Price Level: 425

Selected Equip & Specs (cont'd)

Headroom

Headroom first-row 40.8"

Legroom

Leg room first-row 43.9"

Shoulder Room

Shoulder room first-row 66.7"

Hip Room

Hip room first-row 62.5"

Powertrain

Engine

Engine 7.3L V-8 DEVCT variable valve control, engine with 335HP

Engine cylinders V-8

Engine location Front mounted engine

Engine mounting direction Longitudinal mounted engine

Cylinder head material Aluminum cylinder head

Valves per cylinder 2

Injection type sequential MPI

Ignition Spark ignition system

Engine block material Iron engine block

Engine Specs

Displacement 7.3L

Bore 4.21"

Compression ratio 10.5

cc 445 cu.in.

Stroke 3.98"

SAEJ1349 AUG2004 compliant

Engine Power

Horsepower 335 HP@3750 RPM

Torque 468 lb.-ft. @3750 RPM

Alternator

Alternator amps 250A

* **Alternator rating** **160A**

* **Alternator type** **Dual alternator**

Battery

* **Battery amps** **68Ah**

Battery rating 750CCA

* **Battery type** **Dual lead acid battery**

Battery run down protection Battery run down protection

Engine Extras

Radiator Radiator

Auxiliary power take-off Auxiliary power take-off

Transmission

Transmission 10-speed automatic

Transmission electronic control Transmission electronic control

Prices and content availability as shown are subject to change and should be treated as estimates only. Actual base vehicle, package and option pricing may vary from this estimate because of special local pricing, availability or pricing adjustments not reflected in the dealer's computer system. See salesperson for the most current information.

Prepared for: Mike Genest



Town of Casco

Prepared by: Bob Berwick

01/17/2024

Casco Bay Ford | 1213 Route 1 Yarmouth Maine | 040966982

2024 F-600 Chassis 4x4 SD Regular Cab 145" WB DRW XL (F6L)

Price Level: 425

Selected Equip & Specs (cont'd)

Overdrive transmission	Overdrive transmission	Lock-up transmission	Lock-up transmission
First gear ratio	4.615	Second gear ratio	2.919
Third gear ratio	2.132	Fourth gear ratio	1.773
Fifth gear ratio	1.519	Sixth gear ratio	1.277
Reverse gear ratio	4.695	Seventh gear ratio	1
Eighth gear ratio	0.851	Ninth gear ratio	0.687
Tenth gear ratio	0.632	Stall ratio	1.97
Selectable mode transmission	Selectable mode transmission	Sequential shift control	SelectShift Sequential shift control
Transmission oil cooler	Transmission oil cooler	PTO transmission provision	PTO transmission provision

Drive Type

4WD type Part-time 4WD Drive type Four-wheel drive

Drivetrain

Axle ratio 4.88

Exhaust

Tailpipe Stainless steel single exhaust

Fuel

Fuel type regular unleaded

Fuel Tank

Fuel tank capacity 40.00 gal.

Drive Feature

Limited slip differential Mechanical limited slip differential Traction control Driveline managed traction control

Locking hub control Auto locking hub control Transfer case Electronic transfer case shift

Provisions

* Provisions Snow plow provisions

Fuel Economy and Emissions

Fuel Economy

Secondary fuel type Gasoline secondary fuel type

Emissions

Emissions Federal emissions

Suspension and Handling

Suspension

Prices and content availability as shown are subject to change and should be treated as estimates only. Actual base vehicle, package and option pricing may vary from this estimate because of special local pricing, availability or pricing adjustments not reflected in the dealer's computer system. See salesperson for the most current information.

Prepared for: Mike Genest



Town of Casco

Prepared by: Bob Berwick

01/17/2024

Casco Bay Ford | 1213 Route 1 Yarmouth Maine | 040966982

2024 F-600 Chassis 4x4 SD Regular Cab 145" WB DRW XL (F6L)

Price Level: 425

Selected Equip & Specs (cont'd)

Suspension Firm ride suspension

Front shock absorbers Heavy-duty front shock absorbers

Rear shock absorbers Heavy-duty rear shock absorbers

Driveability

Brakes

Brake type 4-wheel disc brakes

Ventilated brakes Front and rear ventilated disc brakes

ABS brakes Four channel ABS brakes

ABS brakes 4-wheel antilock (ABS) brakes

Brake Assistance

Hill start assist Hill Start Assist

Brake assist system Brake assist system

Front Suspension

Anti-roll bar front Front anti-roll bar

Suspension ride type front Mono-beam rigid axle front suspension

Front Spring

HD front springs Heavy-duty front springs

Springs front Front coil springs

Rear Spring

Springs rear Rear leaf springs

Rear springs Heavy-duty rear springs

Rear Suspension

Anti-roll bar rear Rear anti-roll bar

Suspension type rear Leaf spring rear suspension

Suspension ride type rear DANA M300 rigid axle rear suspension

Steering

Steering Hydraulic power-assist steering system

Steering type Re-circulating ball steering

Steering type number of wheels 2-wheel steering system

Exterior

Front Wheels

Front wheels diameter 19.5"

Front wheels width 6.8"

Rear Wheels

Rear wheels diameter 19.5"

Rear wheels width 6.8"

Front And Rear Wheels

Appearance argent

Material steel

Prices and content availability as shown are subject to change and should be treated as estimates only. Actual base vehicle, package and option pricing may vary from this estimate because of special local pricing, availability or pricing adjustments not reflected in the dealer's computer system. See salesperson for the most current information.

Prepared for: Mike Genest



Town of Casco

Prepared by: Bob Berwick

01/17/2024

Casco Bay Ford | 1213 Route 1 Yarmouth Maine | 040966982

2024 F-600 Chassis 4x4 SD Regular Cab 145" WB DRW XL (F6L)

Price Level: 425

Selected Equip & Specs (cont'd)

Front Tires

Aspect	70	Diameter	19.5"
Sidewalls	BSW	Speed	S
* Tread	AT	Type	LT
Width	245mm	Front wheel - RPM	611

Rear Tires

Aspect	70	Diameter	19.5"
Sidewalls	BSW	Speed	S
* Tread	AT	Type	LT
Width	245mm	Rear wheel - RPM	611

Body Exterior

Trailer

Towing wiring harness	Trailer wiring harness	Towing brake controller	Trailer brake controller
Towing trailer sway	Trailer sway control		

Exterior Features

Number of doors	2 doors	* Running boards	Running boards
* Skid plate	1 underbody skid plate	Front splash guards	Front splash guards

Body

Body panels .. Aluminum body panels with side impact beams

Mirrors

Convex spotter	Convex spotter in driver and passenger side door mirrors	Turn signal in door mirrors	Turn signal indicator in door mirrors
----------------------	--	-----------------------------------	---------------------------------------

Tires

Front tires LT load rating	G	Rear tires LT load rating	G
----------------------------------	---	---------------------------------	---

Wheels

Dual rear wheels

Convenience

Door Locks

Door locks	Power door locks with 2 stage unlocking	Keyfob door locks	Keyfob activated door locks
All-in-one key	All-in-one remote fob and ignition key		

Cruise Control

Prices and content availability as shown are subject to change and should be treated as estimates only. Actual base vehicle, package and option pricing may vary from this estimate because of special local pricing, availability or pricing adjustments not reflected in the dealer's computer system. See salesperson for the most current information.

Prepared for: Mike Genest



Town of Casco

Prepared by: Bob Berwick

01/17/2024

Casco Bay Ford | 1213 Route 1 Yarmouth Maine | 040966982

2024 F-600 Chassis 4x4 SD Regular Cab 145" WB DRW XL (F6L)

Price Level: 425

Selected Equip & Specs (cont'd)

Cruise control Cruise control with steering wheel mounted controls

Key Fob Controls

* **Fob remote vehicle controls FordPass Connect smart device and keyfob vehicle start control**

Rear View Mirror

Day/Night rearview mirror Day/Night rearview mirror

Exterior Mirrors

Door mirrors Power door mirrors
Heated door mirrors Heated driver and passenger side door mirrors

Folding door mirrors Manual folding door mirrors

Front Side Windows

First-row windows Power first-row windows

Overhead Console

Overhead console Full overhead console

Overhead console storage Overhead console storage

Passenger Visor

Visor passenger mirror ... Passenger visor mirror

Power Outlets

12V power outlets 2 12V power outlets

Rear Windshield

Rear windshield Fixed rear windshield

Storage

Number of beverage holders... 6 beverage holders
Glove box Illuminated locking glove box
Instrument panel storage Instrument panel covered bin

Beverage holders Front beverage holders
Illuminated glove box Illuminated glove box
Dashboard storage Dashboard storage

Windows Feature

One-touch up window Driver and passenger one-touch up windows

One-touch down window ... Driver and passenger one-touch down windows

Miscellaneous

Trip computer Trip computer
Upfitter switches Upfitter switches
Over the air updates Over the air updates

PRND in IP PRND in IP
Accessory power Retained accessory power

Prices and content availability as shown are subject to change and should be treated as estimates only. Actual base vehicle, package and option pricing may vary from this estimate because of special local pricing, availability or pricing adjustments not reflected in the dealer's computer system. See salesperson for the most current information.

Prepared for: Mike Genest



Town of Casco

Prepared by: Bob Berwick

01/17/2024

Casco Bay Ford | 1213 Route 1 Yarmouth Maine | 040966982

2024 F-600 Chassis 4x4 SD Regular Cab 145" WB DRW XL (F6L)

Price Level: 425

Selected Equip & Specs (cont'd)

Comfort

Climate Control

Climate control Manual climate control

Cabin air filter Cabin air filter

Headliner

Headliner material Cloth headliner material

Headliner coverage Full headliner coverage

Floor Trim

Floor covering Full vinyl floor covering

Floor coverage Full floor coverage

Steering Wheel

Steering wheel telescopic Manual telescopic steering wheel

Steering wheel material Urethane steering wheel

Steering wheel tilt Manual tilting steering wheel

Seats and Trim

Seat Capacity

Seating capacity 3

Front Seats

Front seat type Split-bench front seat

Driver seat direction Driver seat with 4-way directional controls

Driver seat fore/aft control Manual driver seat fore/aft control

Passenger seat direction Front passenger seat with 4-way directional controls

Split front seats 40-20-40 split-bench front seat

Reclining passenger seat Manual reclining passenger seat

Passenger seat fore/aft control Manual passenger seat fore/aft control

Front head restraints Height adjustable front seat head restraints

Front head restraint control Manual front seat head restraint control

Armrests front center Front seat center armrest

Armrests front storage Front seat armrest storage

Reclining driver seat Manual reclining driver seat

Lumbar Seats

Driver lumbar Manual driver seat lumbar

Front Seat Trim

* **Front seat upholstery** **Cloth front seat upholstery**

* **Front seatback upholstery** **Carpet front seatback upholstery**

Interior Accents

Interior accents Chrome interior accents

Gearshifter Material

Prices and content availability as shown are subject to change and should be treated as estimates only. Actual base vehicle, package and option pricing may vary from this estimate because of special local pricing, availability or pricing adjustments not reflected in the dealer's computer system. See salesperson for the most current information.

Prepared for: Mike Genest



Town of Casco

Prepared by: Bob Berwick

01/17/2024

Casco Bay Ford | 1213 Route 1 Yarmouth Maine | 040966982

2024 F-600 Chassis 4x4 SD Regular Cab 145" WB DRW XL (F6L)

Price Level: 425

Selected Equip & Specs (cont'd)

Gearshifter material Urethane gear shifter material

Entertainment Features

LCD Displays

Primary touchscreen display Primary touchscreen display
Number of first-row LCD displays 2 total number of 1st row displays
LCD primary display size 8 inch primary LCD display

Radio Features

External memory SYNC 4 external memory control
Seek scan Seek scan

Speakers

Speakers Standard grade speakers
Speakers number 4

Audio Features

Steering mounted audio control Steering wheel mounted audio controls
Speed sensitive volume Speed sensitive volume
Voice activated audio SYNC 4 voice activated audio controls
Wireless streaming Wireless audio streaming

Lighting, Visibility and Instrumentation

Instrumentation

Trip odometer Trip odometer
Instrumentation display Digital/analog instrumentation display
Configurable instrumentation gauges Configurable instrumentation gauges

Instrumentation Displays

Temperature display Exterior temperature display
Driver information center Driver information center
Clock In-radio display clock
Compass Compass

Instrumentation Gauges

Tachometer Tachometer
Oil pressure gauge Oil pressure gauge
Transmission temperature gauge Transmission fluid temperature gauge
Engine/electric motor temperature gauge
Engine/electric motor temperature gauge
Gauge cluster display size (inches) 4.20
Engine hour meter Engine hour meter

Instrumentation Warnings

Engine temperature warning Engine temperature warning
Oil pressure warning Oil pressure warning

Prices and content availability as shown are subject to change and should be treated as estimates only. Actual base vehicle, package and option pricing may vary from this estimate because of special local pricing, availability or pricing adjustments not reflected in the dealer's computer system. See salesperson for the most current information.

Prepared for: Mike Genest



Town of Casco

Prepared by: Bob Berwick

01/17/2024

Casco Bay Ford | 1213 Route 1 Yarmouth Maine | 040966982

2024 F-600 Chassis 4x4 SD Regular Cab 145" WB DRW XL (F6L)

Price Level: 425

Selected Equip & Specs (cont'd)

Low fuel warning Low fuel warning
Battery charge warning Battery charge warning
Key in vehicle warning Key in vehicle warning
Service interval warning Service interval indicator

Low brake fluid warning Low brake fluid warning
Headlights on reminder Headlights on reminder
Door ajar warning Door ajar warning
Low tire pressure warning Tire specific low air pressure warning

Glass

Tinted windows Light tinted windows

Headlights

Headlights Halogen headlights
Auto headlights Autolamp auto on/off headlight control
Delay off headlights Delay-off headlights

Headlight type Aero-composite headlights
Multiple headlights Multiple enclosed headlights
DRL preference setting DRL preference setting

Front Windshield

Wipers Variable intermittent front windshield wipers

Interior Lighting

Illuminated entry Illuminated entry
Front reading lights Front reading lights

Variable panel light Variable instrument panel light

Lights

Running lights Daytime running lights
* **Fog lights** **Front fog lights**
Perimeter approach lighting Remote activated perimeter approach lighting

Interior courtesy lights Fade interior courtesy lights
Clearance lights Cab clearance lights

Technology and Telematics

Connectivity

Handsfree SYNC 4 handsfree wireless device connectivity
Emergency SOS SYNC 4 911 Assist emergency SOS system via mobile device

Smart device integration AppLink/Apple CarPlay and Android Auto smart device wireless mirroring

Internet Access

Internet access FordPass Connect 5G mobile hotspot internet access

USB Ports

USB ports 2 USB ports

Prices and content availability as shown are subject to change and should be treated as estimates only. Actual base vehicle, package and option pricing may vary from this estimate because of special local pricing, availability or pricing adjustments not reflected in the dealer's computer system. See salesperson for the most current information.

Prepared for: Mike Genest



Town of Casco

Prepared by: Bob Berwick

01/17/2024

Casco Bay Ford | 1213 Route 1 Yarmouth Maine | 040966982

2024 F-600 Chassis 4x4 SD Regular Cab 145" WB DRW XL (F6L)

Price Level: 425

Selected Equip & Specs (cont'd)

Safety and Security

Airbags

Front impact airbag driver..... Driver front impact airbag	Number of airbags..... 6 airbags
Front impact airbag passenger... Cancellable front passenger air bag	Front side impact airbag driver Seat mounted side impact driver airbag
Front side impact airbag passenger. Seat mounted side impact front passenger airbag	Overhead airbags..... Safety Canopy System curtain first-row overhead airbags

Seatbelts

Height adjustable seatbelts..... Front height adjustable seatbelts
--

Security System

Immobilizer..... SecuriLock immobilizer	Remote panic alarm..... Remote panic alarm
---	--

Active Driving Assistance

Lane departure..... Lane Departure Warning	Forward collision warning..... Pre-Collision Assist with Automatic Emergency Braking (AEB) forward collision mitigation
--	---

Cameras

* Rear camera..... Rear mounted camera
--

Traction Control

Electronic stability control... AdvanceTrac w/Roll Stability Control electronic stability control system with anti-roll

Prices and content availability as shown are subject to change and should be treated as estimates only. Actual base vehicle, package and option pricing may vary from this estimate because of special local pricing, availability or pricing adjustments not reflected in the dealer's computer system. See salesperson for the most current information.

Prepared for: Mike Genest



Town of Casco

Prepared by: Bob Berwick

01/17/2024

Casco Bay Ford | 1213 Route 1 Yarmouth Maine | 040966982

2024 F-600 Chassis 4x4 SD Regular Cab 145" WB DRW XL (F6L)

Price Level: 425

Warranty

Standard Warranty

Basic Warranty

Basic warranty 36 months/36,000 miles

Powertrain Warranty

Powertrain warranty 60 months/60,000 miles

Corrosion Perforation

Corrosion perforation warranty 60 months/unlimited

Roadside Assistance Warranty

Roadside warranty 60 months/60,000 miles

Prices and content availability as shown are subject to change and should be treated as estimates only. Actual base vehicle, package and option pricing may vary from this estimate because of special local pricing, availability or pricing adjustments not reflected in the dealer's computer system. See salesperson for the most current information.

Prepared for: Mike Genest

Town of Casco

Prepared by: Bob Berwick

01/17/2024



Casco Bay Ford | 1213 Route 1 Yarmouth Maine | 040966982

2024 F-600 Chassis 4x4 SD Regular Cab 145" WB DRW XL (F6L)

Price Level: 425

Major Equipment

(Based on selected options, shown at right)

10-speed automatic

- * Running boards
- * Front tires LT load rating: G
- * Overdrive transmission
- * Transmission electronic control
- * Alternator Amps: 250A
- * Driveline managed traction control
- * Dual lead acid battery
- * Injection Type: sequential MPI
- * Fuel tank capacity: 40.00 gal.
- * Steering wheel mounted audio controls
- * AM/FM stereo radio
- * SYNC 4 external memory control
- * Wheelbase: 145.0"
- * Axle to end of frame: 47.2"
- * Tire/wheel capacity rear: 17,200 lbs.
- * Spring rating front: 7,500 lbs.
- * Trip computer
- * Heated driver and passenger side door mirrors
- * DRL preference setting
- * Light tinted windows

Exterior: Oxford White
Interior: Medium Dark Slate w/Cloth 40/20/40 Split Bench Seat

- * 19.5 x 6.75-inch front and dual rear argent steel wheels
- * LT245/70RS19.5 AT BSW front and rear tires
- * Lock-up transmission
- * PTO transmission provision
- * Stainless steel single exhaust
- * Battery rating: 750CCA
- * Battery run down protection
- * Auxiliary power take-off
- * 8 inch primary LCD display
- * Wireless audio streaming
- * Seek scan
- * Vehicle body length: 230.7"
- * Cab to axle: 60.0"
- * Axle capacity rear: 15,500 lbs.
- * Axle capacity front: 7,500 lbs.
- * Firm ride suspension
- * Power door mirrors
- * Manual folding door mirrors
- * Daytime running lights
- * Variable intermittent front windshield wipers

As Configured Vehicle

MSRP

STANDARD VEHICLE PRICE	\$60,910.00
Order Code 680A	N/C
Engine: 7.3L 2V DEVCT NA PFI V8 Gas	Included
Transmission: TorqShift 10-Speed Automatic	Included
GVWR: 22,000 lbs Payload Package	Included
Wheels: 19.5" x 6.75" Argent Painted Steel	Included
Monotone Paint Application	STD
145" Wheelbase	STD
Radio: AM/FM Stereo w/MP3 Player	Included
Fleet Customer Powertrain Limited Warranty	N/C
50-State Emissions System	STD
Limited Slip w/4.88 Axle Ratio	Included
SYNC 4 Communications & Entertainment System ..	Included
Oxford White	N/C
Medium Dark Slate w/Cloth 40/20/40 Split Bench Seat ...	N/C
Cloth 40/20/40 Split Bench Seat	\$100.00
Tires: 245/70Rx19.5 BSW Traction (6)	\$215.00
Platform Running Boards	\$320.00
Transfer Case Skid Plates	\$100.00

Prices and content availability as shown are subject to change and should be treated as estimates only. Actual base vehicle, package and option pricing may vary from this estimate because of special local pricing, availability or pricing adjustments not reflected in the dealer's computer system. See salesperson for the most current information.

Prepared for: Mike Genest

Town of Casco

Prepared by: Bob Berwick

01/17/2024



Casco Bay Ford | 1213 Route 1 Yarmouth Maine | 040966982

2024 F-600 Chassis 4x4 SD Regular Cab 145" WB DRW XL (F6L)

Price Level: 425

Major Equipment

- * AdvanceTrac w/Roll Stability Control electronic stability control system with anti-roll
- * Seat mounted side impact driver airbag
- * Seat mounted side impact front passenger airbag
- * SecuriLock immobilizer
- * 40-20-40 split-bench front seat
- * Driver seat with 4-way directional controls
- * Height adjustable front seat head restraints
- * Front seat center armrest
- * Manual reclining driver seat
- * Manual reclining passenger seat
- * Cloth front seat upholstery
- * Manual driver seat lumbar
- * 4-wheel antilock (ABS) brakes
- * Hill Start Assist
- * Driver front impact airbag
- * Cancellable front passenger air bag
- * 6 airbags
- * Manual climate control
- * Split-bench front seat
- * Front passenger seat with 4-way directional controls
- * Manual front seat head restraint control
- * Front seat armrest storage
- * Manual driver seat fore/aft control
- * Manual passenger seat fore/aft control
- * Carpet front seatback upholstery
- * 4-wheel disc brakes
- * Brake assist system

As Configured Vehicle

MSRP

6-Ton Hydraulic Jack	\$55.00
410 Amp Dual Alternators	\$115.00
Dual 68 AH/65 AGM Battery	\$210.00
XL Chrome Package	\$225.00
Chrome Front Bumper	Included
Bright Grille	Included
Remote Start	Included
Halogen Fog Lamps	Included
Snow Plow Prep Package	\$250.00
Rear View Camera & Prep Kit	\$415.00
<hr/>	
SUBTOTAL	\$62,915.00
Destination Charge	\$1,995.00
<hr/>	
TOTAL	\$64,910.00

Fuel Economy

City
N/A



Hwy
N/A

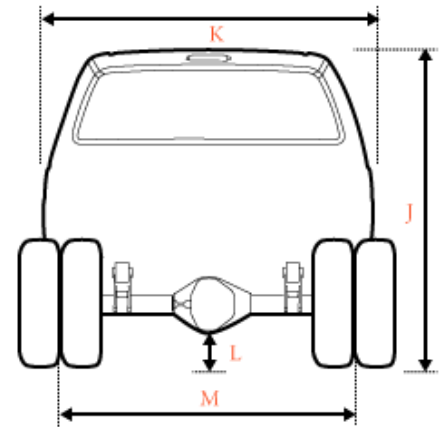
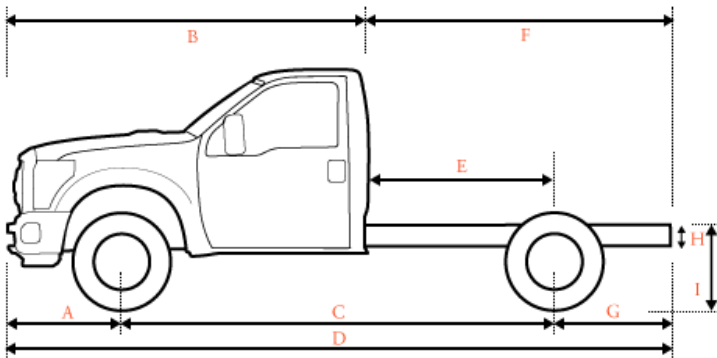
Prices and content availability as shown are subject to change and should be treated as estimates only. Actual base vehicle, package and option pricing may vary from this estimate because of special local pricing, availability or pricing adjustments not reflected in the dealer's computer system. See salesperson for the most current information.

2024 F-600 Chassis 4x4 SD Regular Cab 145" WB DRW XL (F6L)

Price Level: 425

Vehicle Dimension and Performance Summary

Performance predictions in this report represent an estimate of vehicle performance based on standard operating conditions. Variations in customer equipment, load configuration, ambient conditions, and/or operator driving techniques can cause significant variations in vehicle performance. These values are not representative of results that may be shown in actual dynamometer tests. This report should therefore be used as a guide for comparative vehicle performance.



Dimensions

A	Front of Bumper to Front Axle	38.30 in.
B	Front Bumper to Back of Cab (BBC)	123.70 in.
C	Wheelbase (WB)	145.00 in.
D	Overall Length (OAL)	230.70 in.
E	Back of Cab to Rear Axle (CA)	60.00 in.
F	Back of Cab to End of Frame	107.20 in.
G	Rear Axle to End of Frame (AF)	47.20 in.
H	Frame Section Height	N/A
I	Rear Frame Height Unloaded	35.10 in.
I	Rear Frame Height Loaded	28.60 in.
J	Cab Height	N/A
K	Body Width	80.00 in.
L	Maximum Ground Clearance	N/A
L	Minimum Ground Clearance	N/A
M	Front Tread	74.80 in.
M	Rear Tread	74.00 in.

Prepared for: Mike Genest



Town of Casco

Prepared by: Bob Berwick

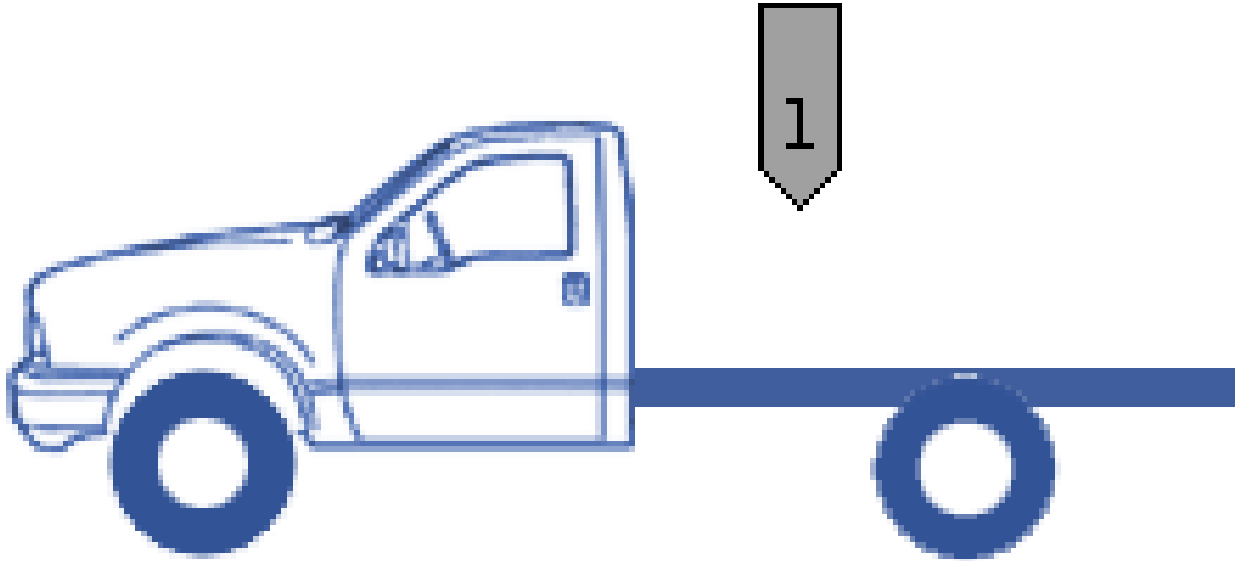
01/17/2024

Casco Bay Ford | 1213 Route 1 Yarmouth Maine | 040966982

2024 F-600 Chassis 4x4 SD Regular Cab 145" WB DRW XL (F6L)

Price Level: 425

Vehicle Dimension and Performance Summary (cont'd)



Weight

GVW	Front Axle	Rear Axle	Totals
Chassis	4,097 lbs	3,119 lbs	7,216 lbs
Body	0 lbs	0 lbs	0 lbs
Occupants Weight	300 lbs	150 lbs	450 lbs
1 Max Payload - (Max Payload)	3,103 lbs	11,231 lbs	14,334 lbs
TOTAL	7,500 lbs	14,500 lbs	22,000 lbs

Ratings	Front Axle	Rear Axle	GVWR
GAWR	7,500 lbs	15,500 lbs	22,000 lbs
Wheels/Tires	9,080 lbs	17,200 lbs	
Suspension	7,500 lbs	15,500 lbs	
Axle	7,500 lbs	15,500 lbs	
Legal Axle Limit	0 lbs	0 lbs	

Prices and content availability as shown are subject to change and should be treated as estimates only. Actual base vehicle, package and option pricing may vary from this estimate because of special local pricing, availability or pricing adjustments not reflected in the dealer's computer system. See salesperson for the most current information.

Prepared for: Mike Genest



Town of Casco

Prepared by: Bob Berwick

01/17/2024

Casco Bay Ford | 1213 Route 1 Yarmouth Maine | 040966982

2024 F-600 Chassis 4x4 SD Regular Cab 145" WB DRW XL (F6L)

Price Level: 425

Vehicle Dimension and Performance Summary (cont'd)

Start, Grade and Speed

Start	Ratio	Desired	Calculated
Start grade capability in 1st gear	4.62	15.00 %	26.95 %
Start grade capability in reverse	4.70	15.00 %	27.41 %
Grade	Ratio	Desired	Calculated
Maximum grade in 8th gear	0.85	3.00 %	5.04 %
Maximum grade in 9th gear	0.69	3.00 %	4.07 %
Maximum grade in 10th gear	0.63	3.00 %	3.75 %
Speed		Desired	Calculated
Top Speed (level grade)		75 mph	119 mph
<i>To meet your requirement you need a maximum axle ratio of 9.32</i>			
Top Speed on 3% grade		55 mph	
<i>To meet your requirement you need a maximum of 95 hp</i>			
Cruise Speed		60 mph	83 mph
Engine RPM at desired cruise speed			1,884 rpm

Variables in Use

Start

Rear axle ratio:	4.88	Clutch engagement torque:	234 ft.lbs.
Tire size:	245/70R19.5 (611 rev/mile)	Torque conversion ratio:	1.97
Gross Vehicle Weight (GVW):	22,000 lbs		

Grade

Rear axle ratio:	4.88	Gross Vehicle Weight (GVW):	22,000 lbs
Tire size:	245/70R19.5 (611 rev/mile)	Peak engine torque:	468 ft.lbs.

Speed

Engine Power:	335 hp @ 3,750 rpm	Worst road surface:	Typical Highway
Peak Torque RPM:	3,750 rpm	Final Drive Ratio:	0.63
Frontal Area:	-5.00 Sq.Ft.	Drag Coefficient:	0.80
Cruising RPM:	2,600 rpm		

Prices and content availability as shown are subject to change and should be treated as estimates only. Actual base vehicle, package and option pricing may vary from this estimate because of special local pricing, availability or pricing adjustments not reflected in the dealer's computer system. See salesperson for the most current information.

Prepared for: Mike Genest

Town of Casco

Prepared by: Bob Berwick

01/17/2024



Casco Bay Ford | 1213 Route 1 Yarmouth Maine | 040966982

2024 F-600 Chassis 4x4 SD Regular Cab 145" WB DRW XL (F6L)

Price Level: 425

Vehicle Dimension and Performance Summary (cont'd)

Turning Radius

Turning Radius 21.25 ft

