

STATIONARY COMPACTORS

345IP Precision Series 3-Yard Model

With our very own Guardian™ Control System and precision-guided ram, Wastequip's stationary compactors are ideal for handling dry waste.



Precision-guided ram engineered for improved performance and durability.



Guardian™ Control System

- New user-friendly controls
- Automatic Maintenance Tracking
- Superior 24-volt control
- NEMA 4 rated enclosure
- Remote power unit with weather protection cover

Heavy-Duty Ratchet Binders

- 1-1/4" thick hooks
- Greasable fittings

Precision-Guided Ram

- Glides smoothly above compactor floor on long-lasting UHMW guides
- 14" ram penetration minimizes spring-back of material

Large-Access Openings for Maintenance and Service

- Removable rear panel
- Removable side panels



Easy-to-use 24-volt Guardian Control System (optional remote pendant shown)



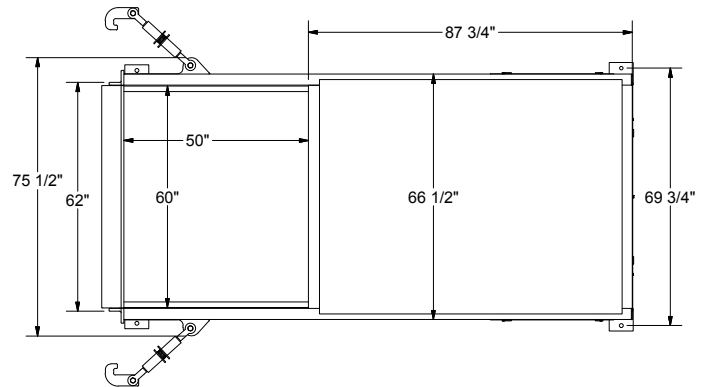
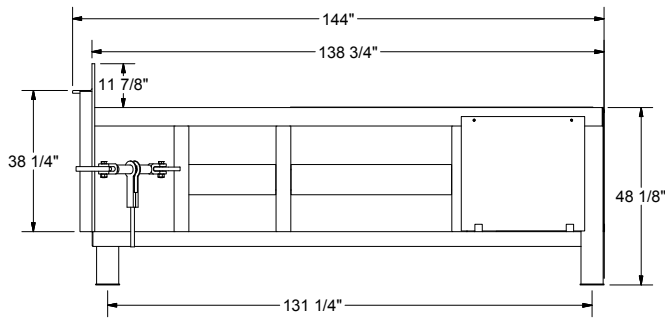
Heavy-duty ratchet binders with 1-1/4" thick hooks are standard.

* Use of an oil heater or extreme cold weather hydraulic oil is recommended in extreme cold conditions.



STATIONARY COMPACTORS

345IP Precision Series 3-Yard Model



Standard Features

- Heavy-duty ratchet binders with 1-1/4" hooks
- 58-second cycle time
- Controls in panel face
- Automatic Maintenance Tracking
- Full container light
- Low temperature oil
- Multi-cycle timer
- NEMA 4 control panel protects against windblown dust, splashing water, and hose-directed water
- Operation and service manual
- Primed and painted in multiple colors
- Remote power unit with weather cover

Optional Features

- Advance warning light
- Color-coded pressure gauge
- Guide rails with stops
- Oil heater
- Photo electric eye
- Odor control system
- Cart dumper

Warranty

- 3-1-1 warranty (3-year structural, 1-year parts, 1-year labor)



Replacement parts available online at www.gotoparts.com.

Specifications

Charge Box	Wastequip rating	3.00 cu. yds.
	Wastec rating	2.00 cu. yds.
	Clear top opening	50" length x 60" width
	Compactor weight with power unit	5,500 lbs.
Ram	Ram height	30-1/2"
	Ram penetration	14"
	Face plate	1/2" steel with 3/4" stiffener plates
	Base plate	3/8" steel plate with 10 ga. formed stiffeners
	Top plate	1/4" steel plate with 10 ga. formed stiffeners
Compactor Head	Side plates	1/4" formed plate
	Floor	3/8" steel plate with channels at 12" spacing
	Sides	1/4" steel plate sheets with 4" x 3" vertical stiffeners
	Breaker bar	6" x 8" x 3/4" angled steel
Electrical	Top deck	12 gauge steel (standard)
	Electric motor, fan cooled	10 hp
	Voltage	208/230/460, 3 phase 60 Hz
	Power box	UL rated, TEFC housing
Hydraulic Performance	Automated cycle operation	Push-button-start extends, retracts, and stops automatically
	Pump	14.1 gpm
	Pump type	Fixed gear
	Hydraulic oil tank	25 gallon reservoir
	Cylinder bore/rod/stroke	6" bore, 2.5" rod, 65" stroke
	Normal ram face pressure	48,000 lbs at 1,700 psi
	Maximum ram face pressure	56,500 lbs at 2,000 psi
	Normal ram psi	26.23 psi
	Maximum ram psi	30.87 psi
	Cubic yard per hour	105
Power unit location	Remote	
Cycle time	58 seconds	

Standard Color Choices



Colors shown are as accurate as printing allows. The actual color is subject to variation from the printed color sample. Color choices vary by plant location. Please contact your local sales representative for available colors. Custom colors are available upon request and are subject to an additional charge.



Tel: 877.468.9278 | sales@wastequip.com | www.wastequip.com

Wastequip is the leading North American manufacturer of waste and recycling equipment for collecting, processing, and transporting recyclables and solid or liquid waste. © Wastequip. All rights reserved. Specifications subject to improvement without notice. Equipment displayed should be operated by properly trained personnel. Operators should become familiar with OSHA, ANSI, and any other applicable standards or laws for using this equipment. Improper use, misuse, or lack of maintenance could cause injury to people and/or property. Photos used in the literature are illustrative only. We assume no liability or responsibility for proper training/operation of equipment not manufactured by Wastequip. We reserve the right to make changes at any time without notice. Information contained within this literature is intended to be the most accurate available at time of printing.