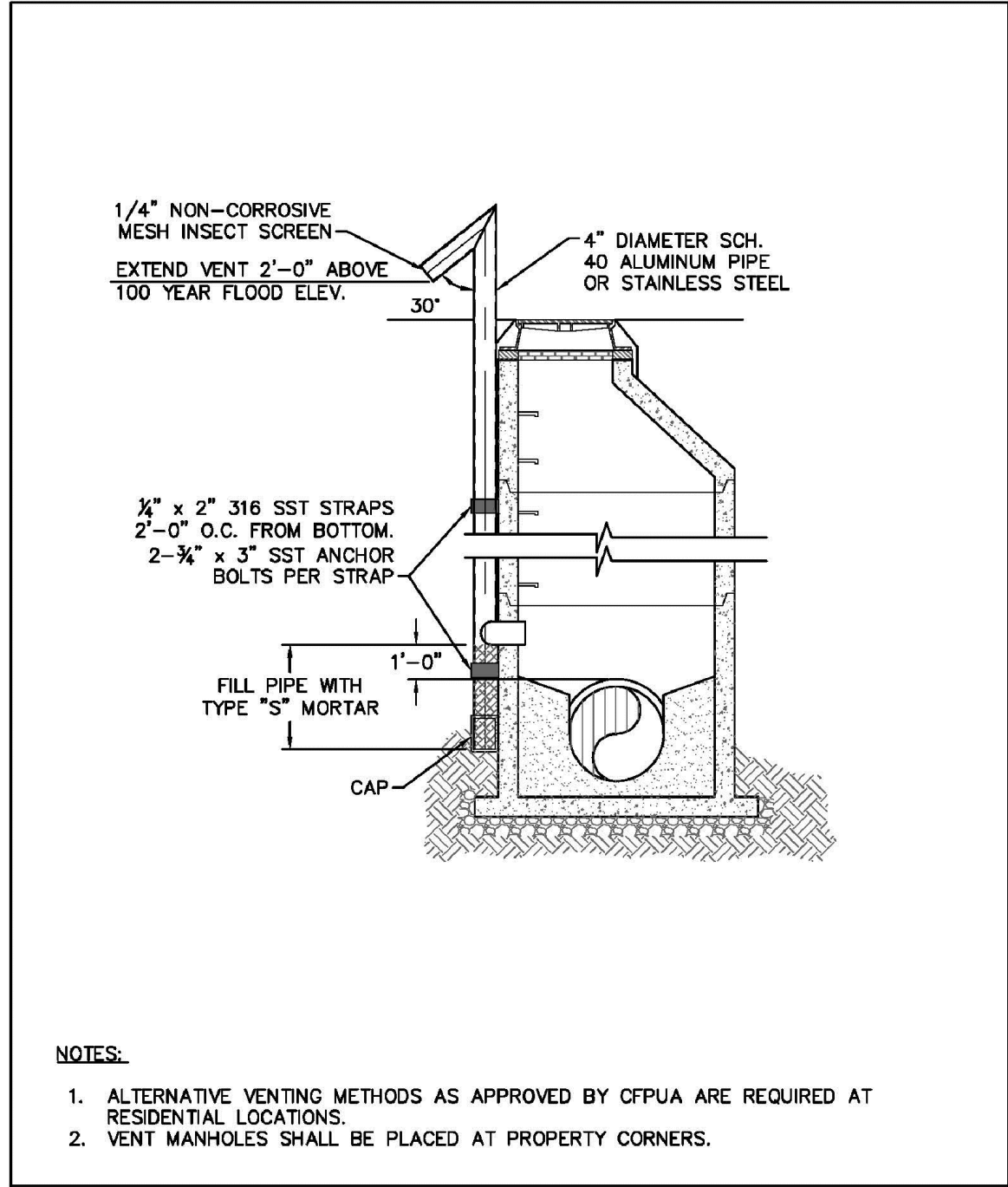


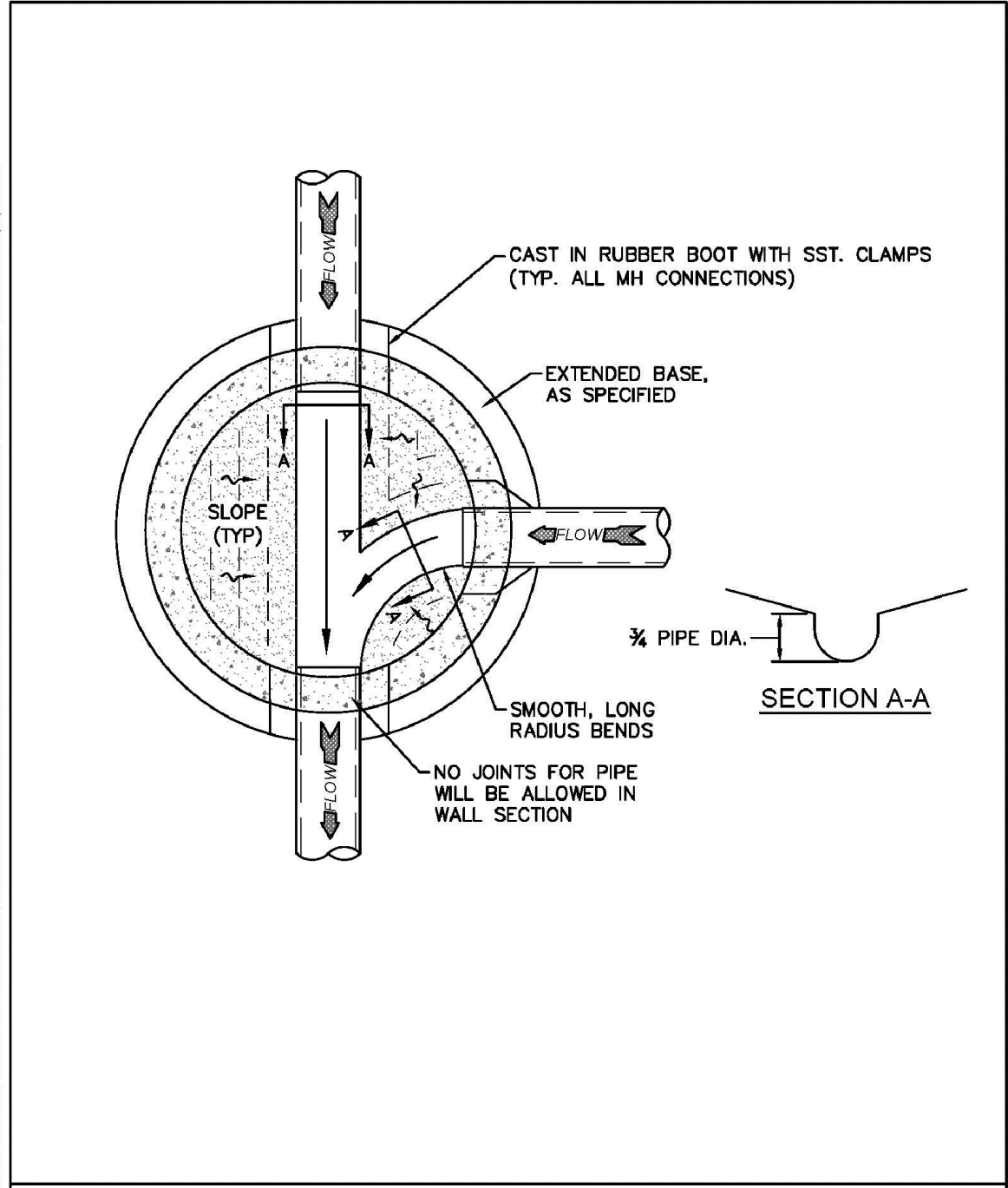
DETAIL: PRECAST CONCRETE MANHOLE SECTION - ECCENTRIC CONE	CAPE FEAR PUBLIC UTILITY AUTHORITY 235 GOVERNMENT CENTER DRIVE WILMINGTON, NC 28403 OFFICE: (910) 332-6560	DETAIL NO: S-1
SCALE: NOT TO SCALE	CFPUA DETAIL DATE: 01/01/20	SHEET NO: -
CFPUA REV. NO: 2	Stewardship, Sustainability, Service	

S-1 PRECAST CONCRETE MANHOLE SECTION
ECCENTRIC CONE
NOT TO SCALE



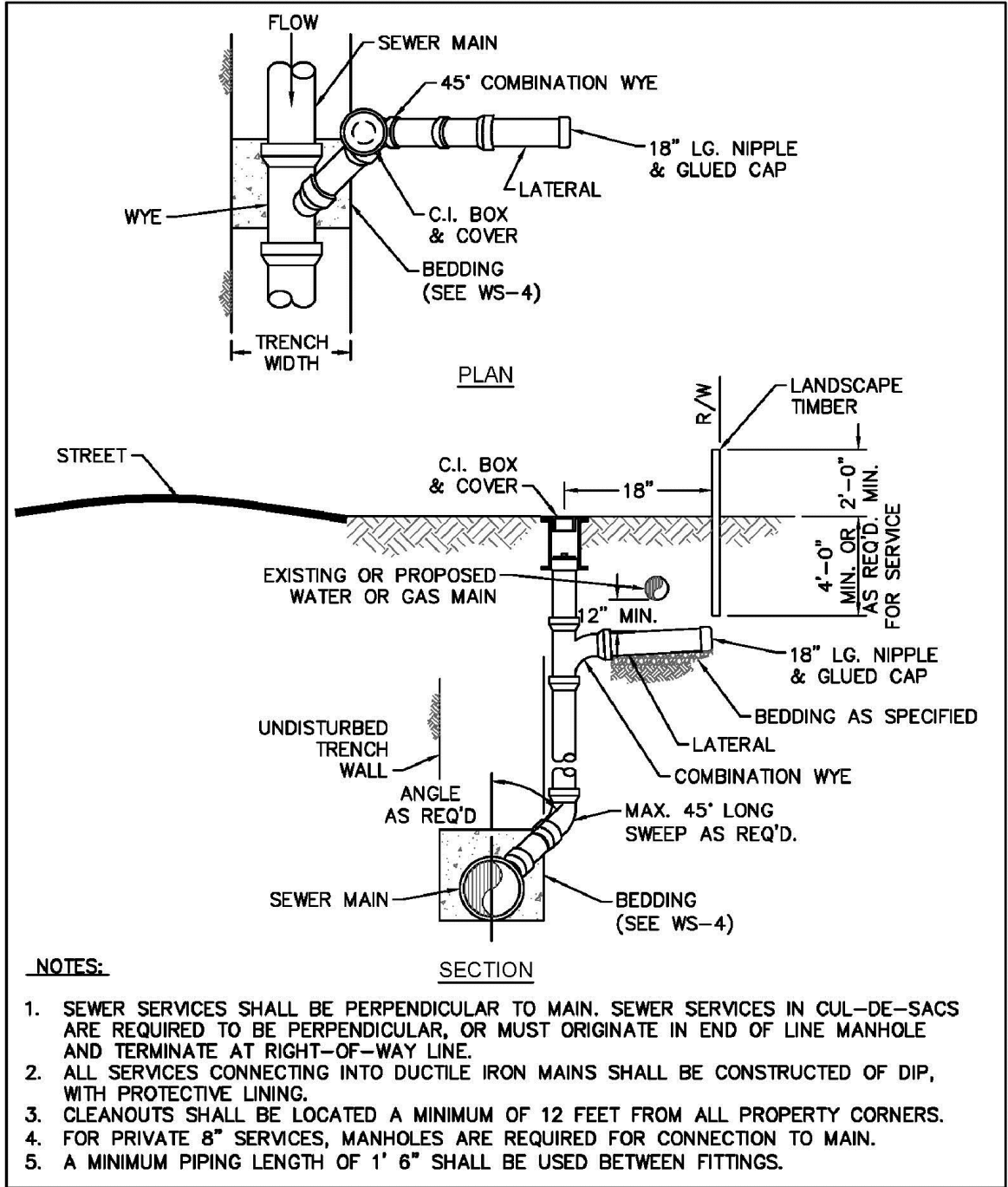
DETAIL: STANDARD VENT MANHOLE SECTION	CAPE FEAR PUBLIC UTILITY AUTHORITY 235 GOVERNMENT CENTER DRIVE WILMINGTON, NC 28403 OFFICE: (910) 332-6560	DETAIL NO: S-4
SCALE: NOT TO SCALE	CFPUA DETAIL DATE: 01/01/20	SHEET NO: -
CFPUA REV. NO: 2	Stewardship, Sustainability, Service	

S-4 STANDARD VENT MANHOLE SECTION
NOT TO SCALE



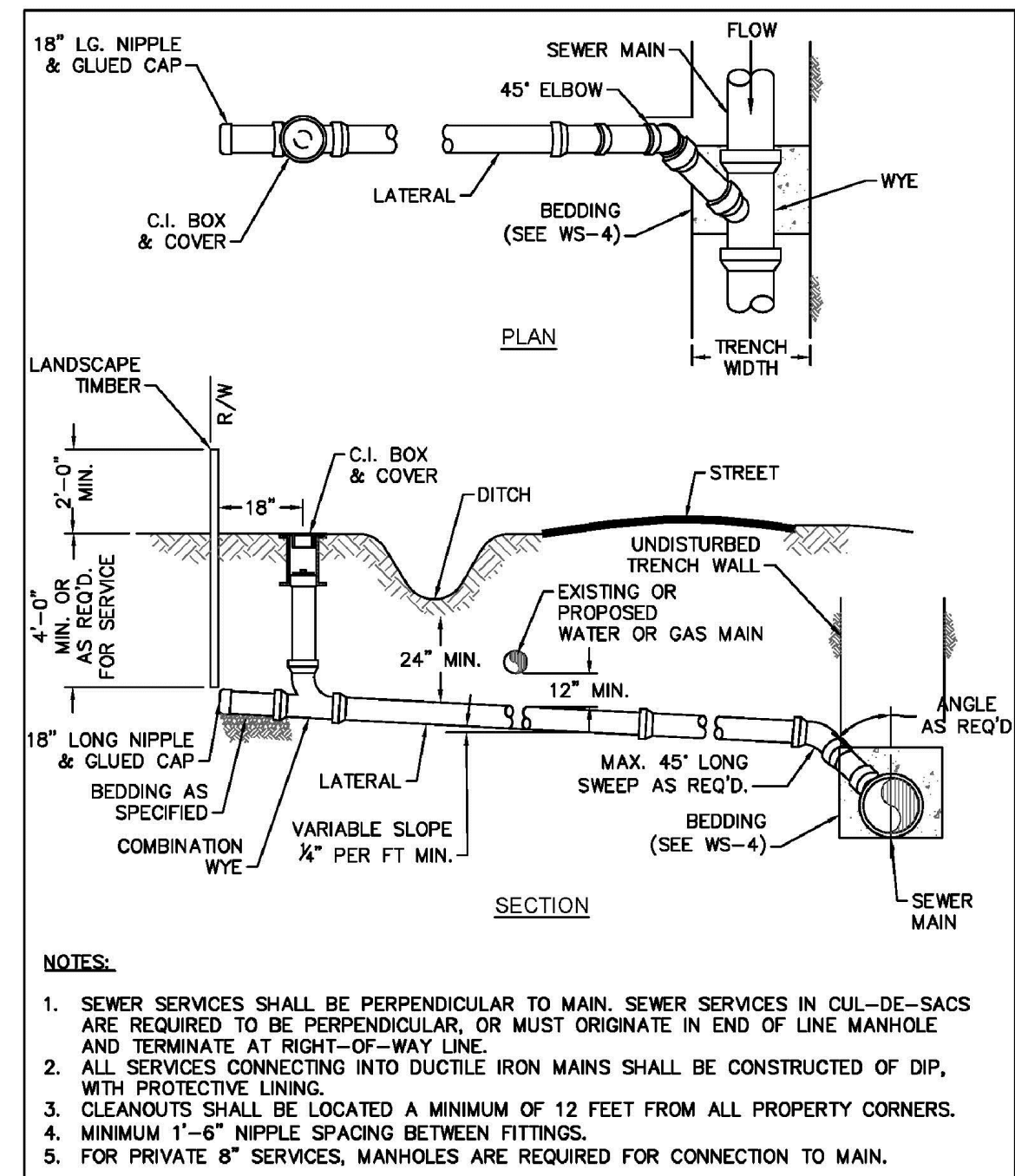
DETAIL: MANHOLE FLOOR PLAN	CAPE FEAR PUBLIC UTILITY AUTHORITY 235 GOVERNMENT CENTER DRIVE WILMINGTON, NC 28403 OFFICE: (910) 332-6560	DETAIL NO: S-5
SCALE: NOT TO SCALE	CFPUA DETAIL DATE: 01/01/20	SHEET NO: -
CFPUA REV. NO: 2	Stewardship, Sustainability, Service	

S-5 MANHOLE FLOOR PLAN
NOT TO SCALE



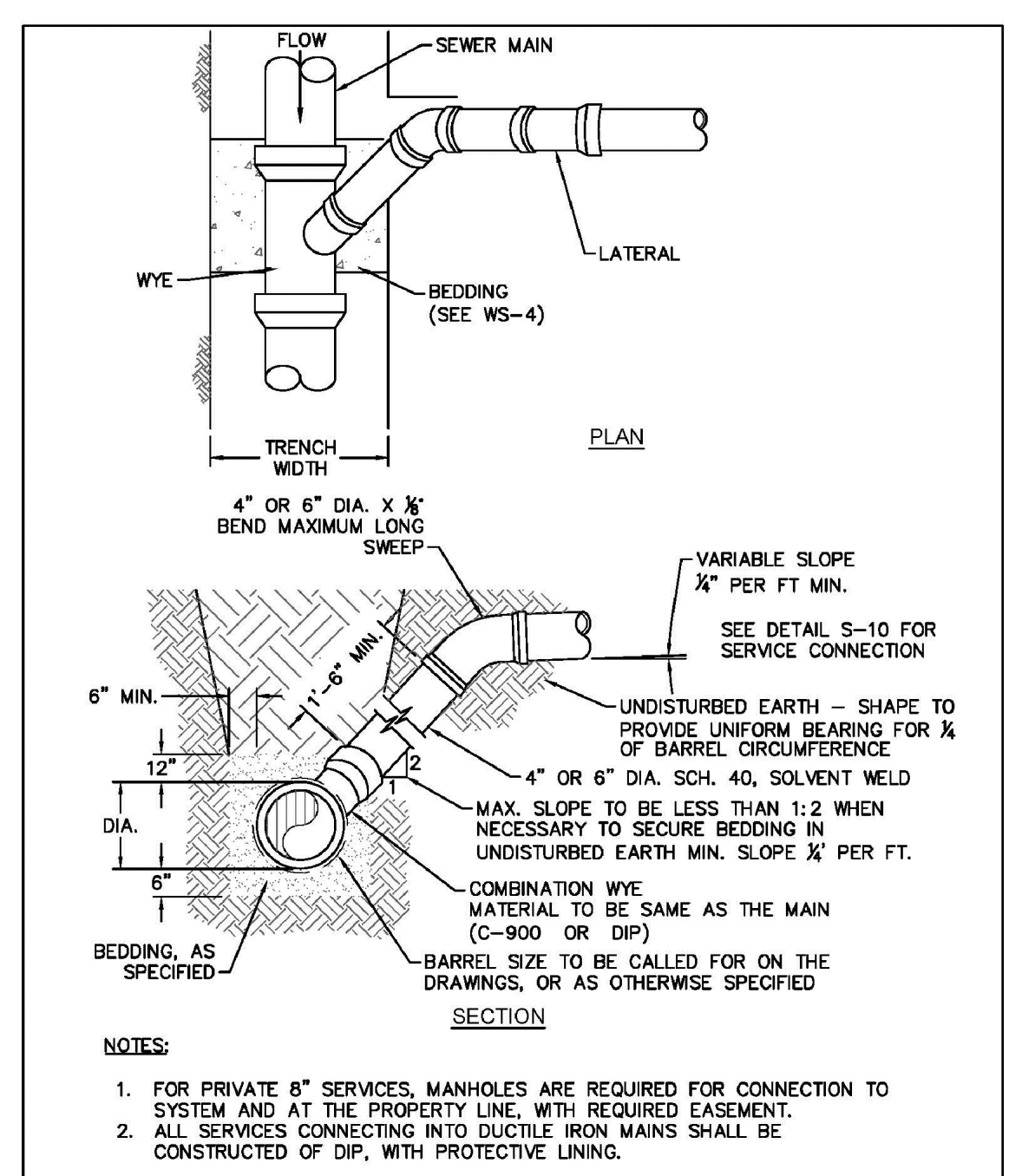
DETAIL: SEWER SERVICE CONNECTION - SHORT SIDE	CAPE FEAR PUBLIC UTILITY AUTHORITY 235 GOVERNMENT CENTER DRIVE WILMINGTON, NC 28403 OFFICE: (910) 332-6560	DETAIL NO: S-9
SCALE: NOT TO SCALE	CFPUA DETAIL DATE: 01/01/20	SHEET NO: -
CFPUA REV. NO: 2	Stewardship, Sustainability, Service	

S-9 SEWER SERVICE CONNECTION SHORT SIDE
NOT TO SCALE



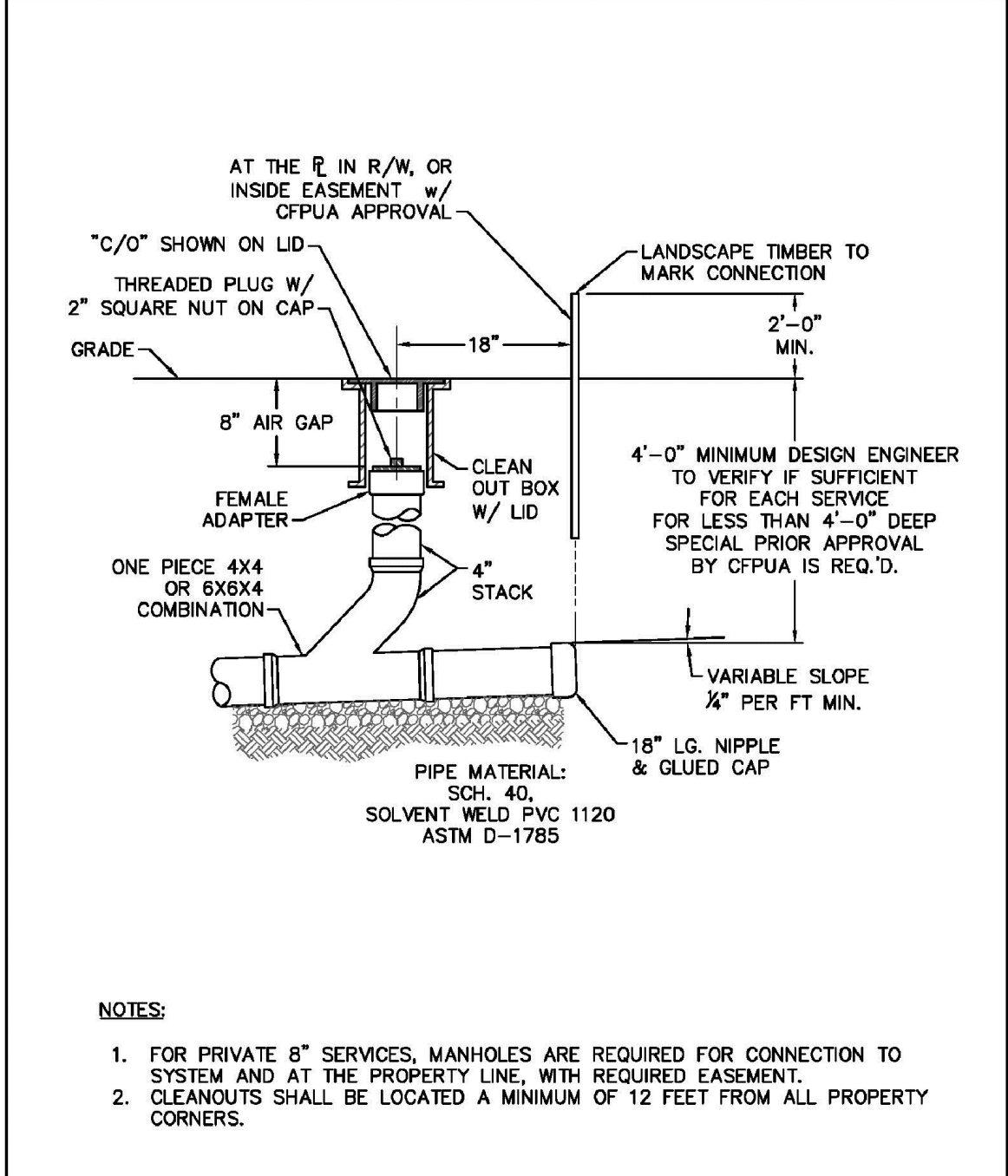
DETAIL: SEWER SERVICE CONNECTION - LONG SIDE	CAPE FEAR PUBLIC UTILITY AUTHORITY 235 GOVERNMENT CENTER DRIVE WILMINGTON, NC 28403 OFFICE: (910) 332-6560	DETAIL NO: S-10
SCALE: NOT TO SCALE	CFPUA DETAIL DATE: 01/01/20	SHEET NO: -
CFPUA REV. NO: 2	Stewardship, Sustainability, Service	

S-10 SEWER SERVICE CONNECTION - LONG SIDE
NOT TO SCALE



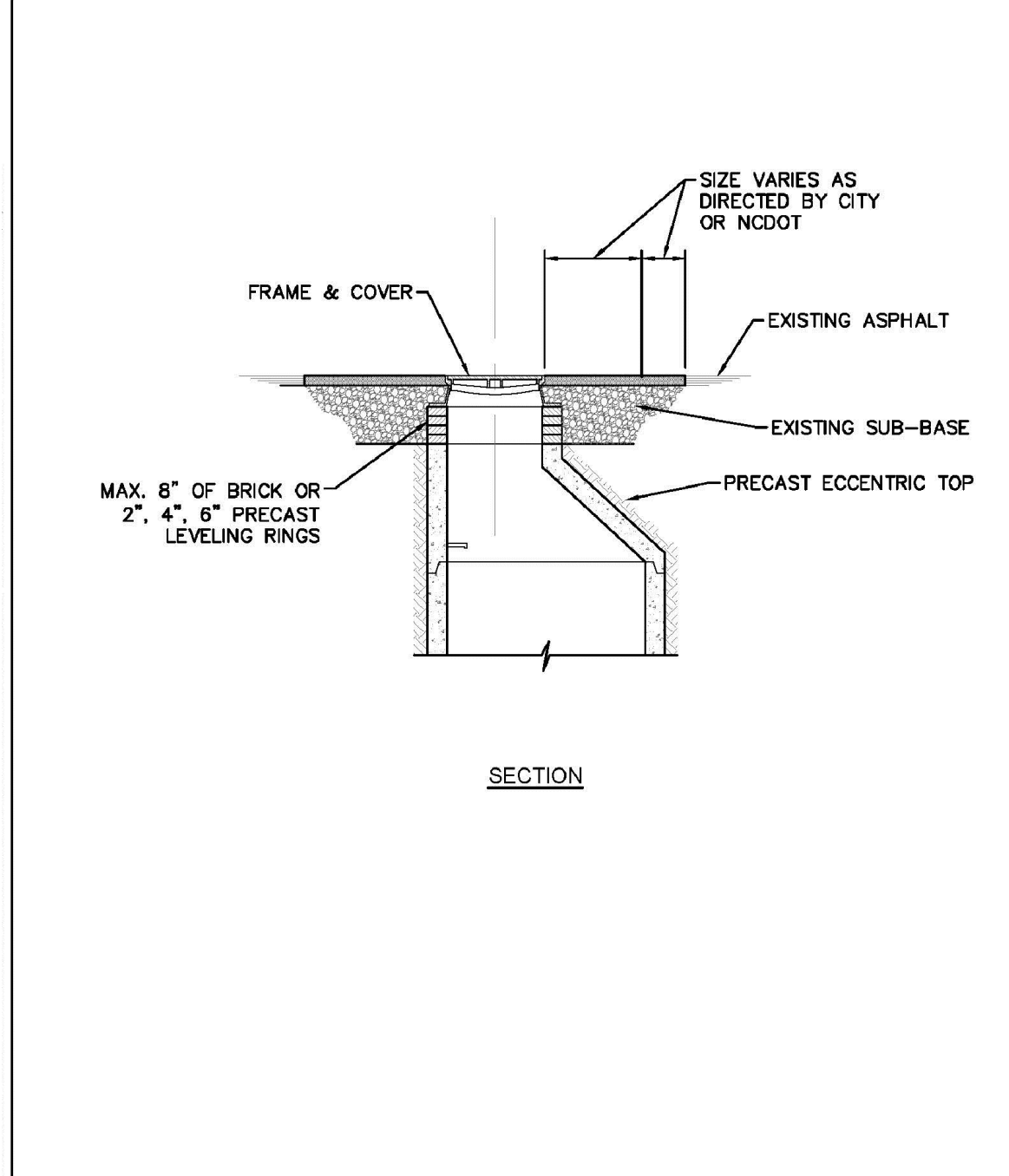
DETAIL: SEWER SERVICE CONNECTION - MAIN TO LATERAL (LESS THAN 8' DEEP)	CAPE FEAR PUBLIC UTILITY AUTHORITY 235 GOVERNMENT CENTER DRIVE WILMINGTON, NC 28403 OFFICE: (910) 332-6560	DETAIL NO: S-11
SCALE: NOT TO SCALE	CFPUA DETAIL DATE: 01/01/20	SHEET NO: -
CFPUA REV. NO: 2	Stewardship, Sustainability, Service	

S-11 SEWER SERVICE CONNECTION
MAIN TO LATERAL - LESS THAN 8' DEEP
NOT TO SCALE



DETAIL: SEWER SERVICE CONNECTION - TYPICAL CLEAN-OUT	CAPE FEAR PUBLIC UTILITY AUTHORITY 235 GOVERNMENT CENTER DRIVE WILMINGTON, NC 28403 OFFICE: (910) 332-6560	DETAIL NO: S-13
SCALE: NOT TO SCALE	CFPUA DETAIL DATE: 01/01/20	SHEET NO: -
CFPUA REV. NO: 2	Stewardship, Sustainability, Service	

S-13 SEWER SERVICE CONNECTION
TYPICAL CLEAN-OUT
NOT TO SCALE



DETAIL: MANHOLE RIM ADJUSTMENTS	CAPE FEAR PUBLIC UTILITY AUTHORITY 235 GOVERNMENT CENTER DRIVE WILMINGTON, NC 28403 OFFICE: (910) 332-6560	DETAIL NO: S-15
SCALE: NOT TO SCALE	CFPUA DETAIL DATE: 01/01/20	SHEET NO: -
CFPUA REV. NO: 2	Stewardship, Sustainability, Service	

S-15 MANHOLE RIM ADJUSTMENTS
NOT TO SCALE

REV. NO.	DESCRIPTION	DATE

7TH STREET EXTENSION

CAROLINA BEACH NEW HANOVER COUNTY NORTH CAROLINA

CFPUA SEWER DETAILS

RIGHT ANGLE ENGINEERING, P.C.
212 PRINCESS STREET
WILMINGTON, NC 28401
(910) 251-8544 FAX (910) 251-2208

DATE:	10/22/20
Scale:	AS SHOWN
Drawn:	NNC
Checked:	WSL
Project No:	HM0220
Sheet No:	SD1