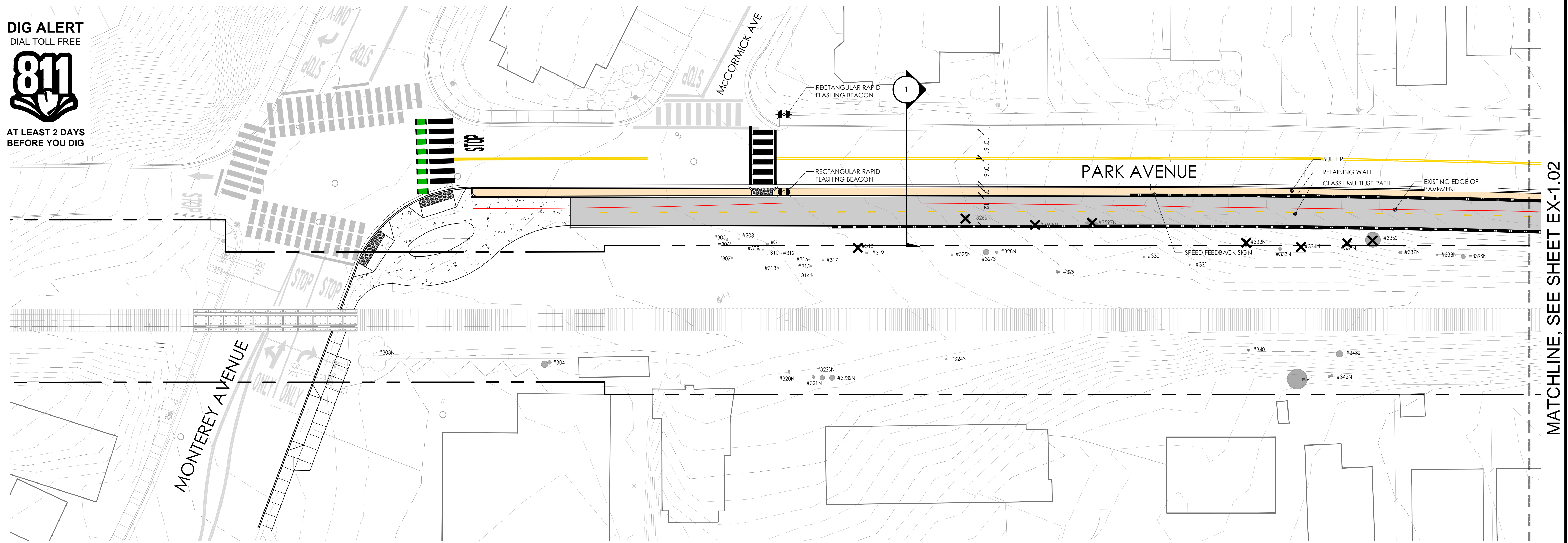


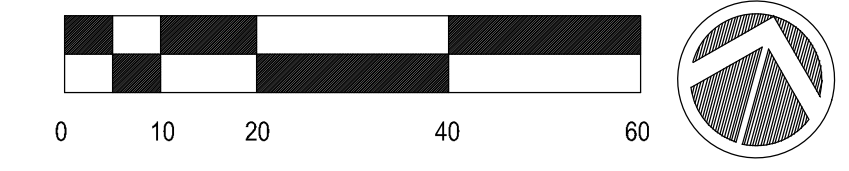
DIG ALERT
DIAL TOLL FREE



AT LEAST 2 DAYS
BEFORE YOU DIG

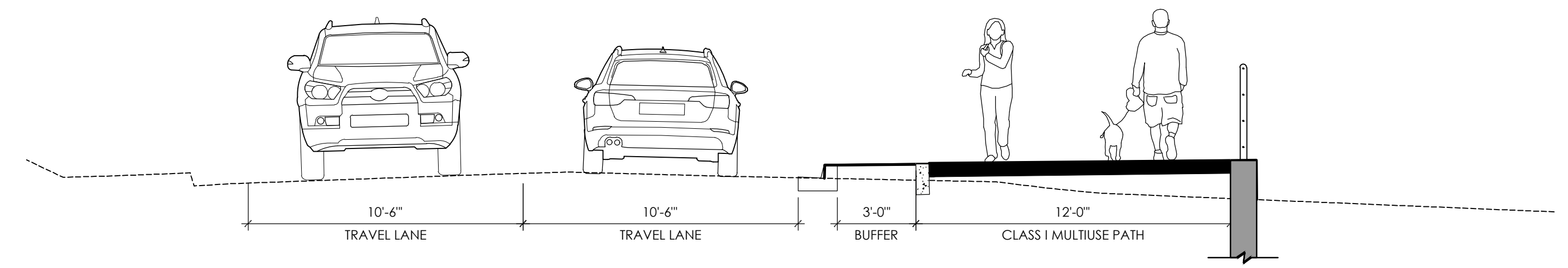


MATCHLINE, SEE SHEET EX-1.02



LEGEND

SYMBOL	DESCRIPTION
	SCCRTC RIGHT OF WAY
	EXISTING FENCE
	EXISTING EDGE OF PAVEMENT
	RETAINING WALL
	TRAIL BUFFER
	CONCRETE PAVEMENT
	HMA PAVEMENT (TRAIL)
	TREE REMOVAL



SCALE 1/4"=1'-0"

PRELIMINARY
NOT FOR CONSTRUCTION
rrm
design group
rrmdesign.com | (949) 361-7950
3030 Camino Capistrano, Ste. 205
San Juan Capistrano, CA 92675

REVISIONS



**COUNTY OF
SANTACRUZ**
DEPARTMENT OF PUBLIC WORKS
701 Ocean Street, Room 410
Santa Cruz, CA 95060

RAIL TRAIL SEGMENTS 10 & 11
MONTEREY TO CORONADO SCHEMATIC DESIGN ALTERNATIVES
OPTION B

REFERENCES FIELD BOOK: DRAWING #:	DATE	01/21/2025	SCALE	AS SHOWN
	DRAWN	MS	EX-1.01	
	DESIGN	KS/MS	VAULT NO.	
	CHECKED	MS		

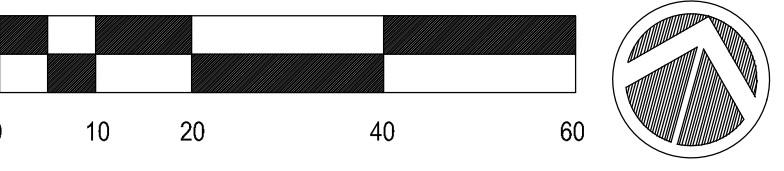
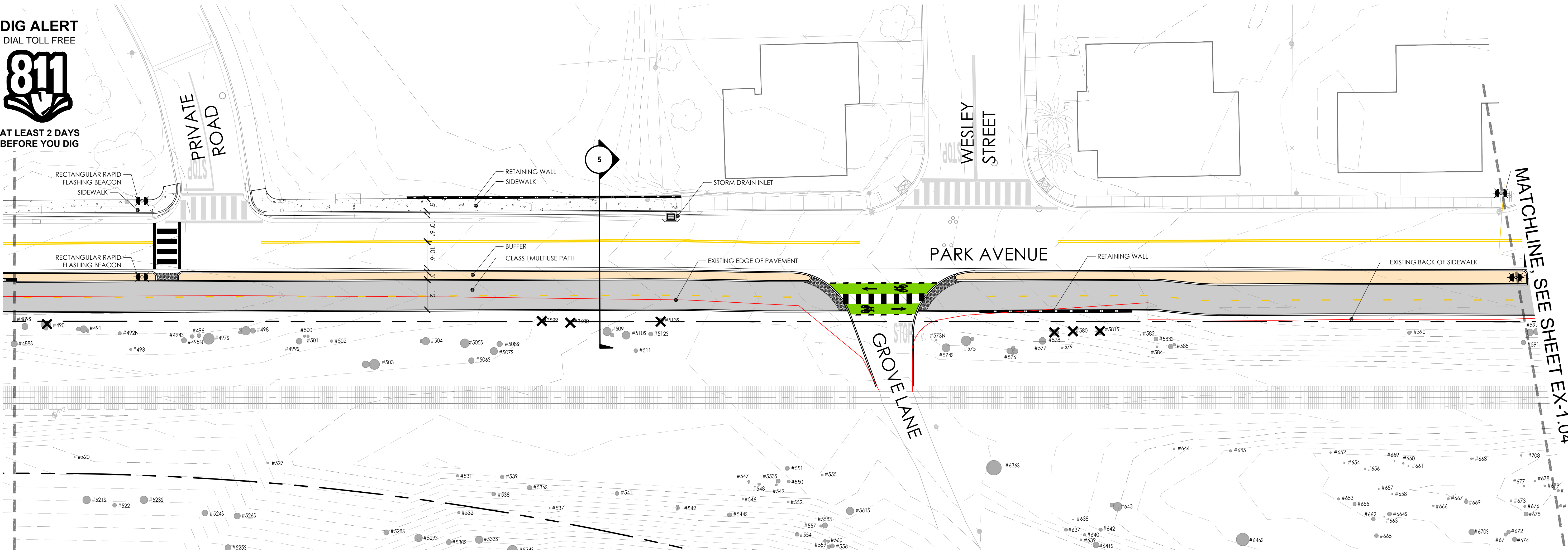
DIG ALERT
DIAL TOLL FREE



AT LEAST 2 DAYS
BEFORE YOU DIG

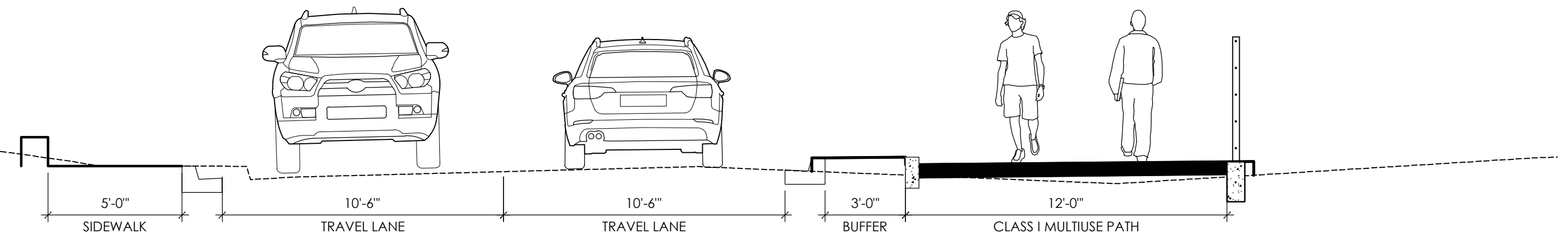
MATCHLINE, SEE SHEET EX-1.03

MATCHLINE, SEE SHEET EX-1.04



LEGEND

SYMBOL	DESCRIPTION
---	SCCRIC RIGHT OF WAY
- - - -	EXISTING FENCE
---	EXISTING EDGE OF PAVEMENT
███	RETAINING WALL
■	TRAIL BUFFER
▒	CONCRETE PAVEMENT
▓	HMA PAVEMENT (TRAIL)
×	TREE REMOVAL

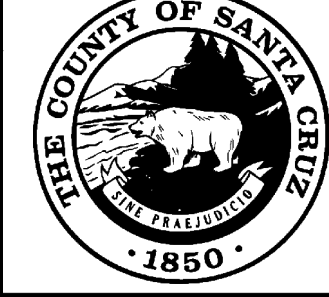


5

SCALE 1/4"=1'-0"

PRELIMINARY
NOT FOR CONSTRUCTION

REVISIONS	



**COUNTY OF
SANTACRUZ**
DEPARTMENT OF PUBLIC WORKS
701 Ocean Street, Room 410
Santa Cruz, CA 95060

RAIL TRAIL SEGMENTS 10 & 11
MONTEREY TO CORONADO SCHEMATIC DESIGN ALTERNATIVES
OPTION B

REFERENCES
FIELD BOOK:
DRAWING #:

DATE	01/21/2025	SCALE	AS SHOWN
DRAWN	MS	EX-1.04	
DESIGN	KS/MS	VAULT NO.	
CHECKED	MS		

DIG ALERT
DIAL TOLL FREE



AT LEAST 2 DAYS
BEFORE YOU DIG

RECTANGULAR RAPID
FLASHING BEACON

CABRILLO STREET

RESTRIPE EXISTING
CROSSWALK

RECTANGULAR RAPID
FLASHING BEACON

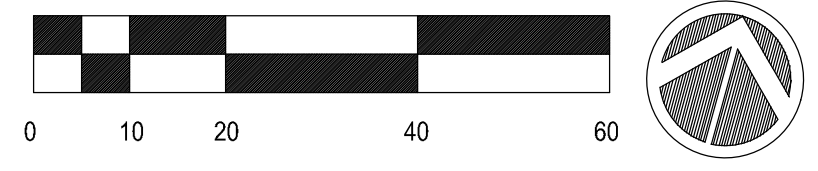
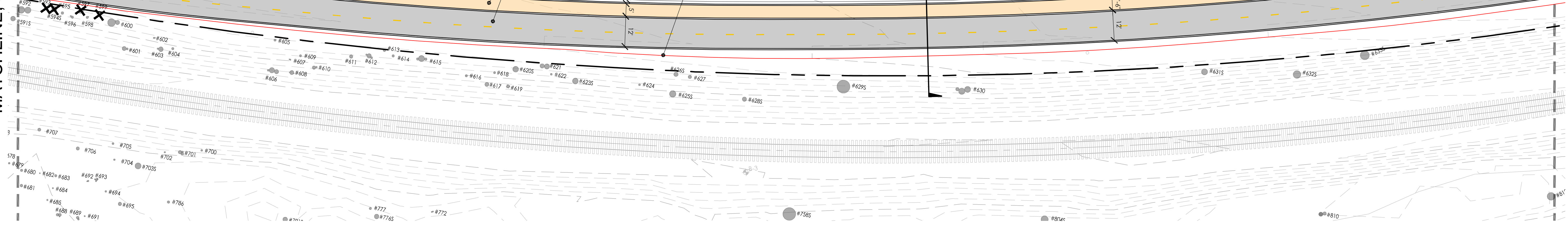
BUFFER
CLASS I MULTIUSE PATH

EXISTING BACK OF SIDEWALK

PARK AVENUE

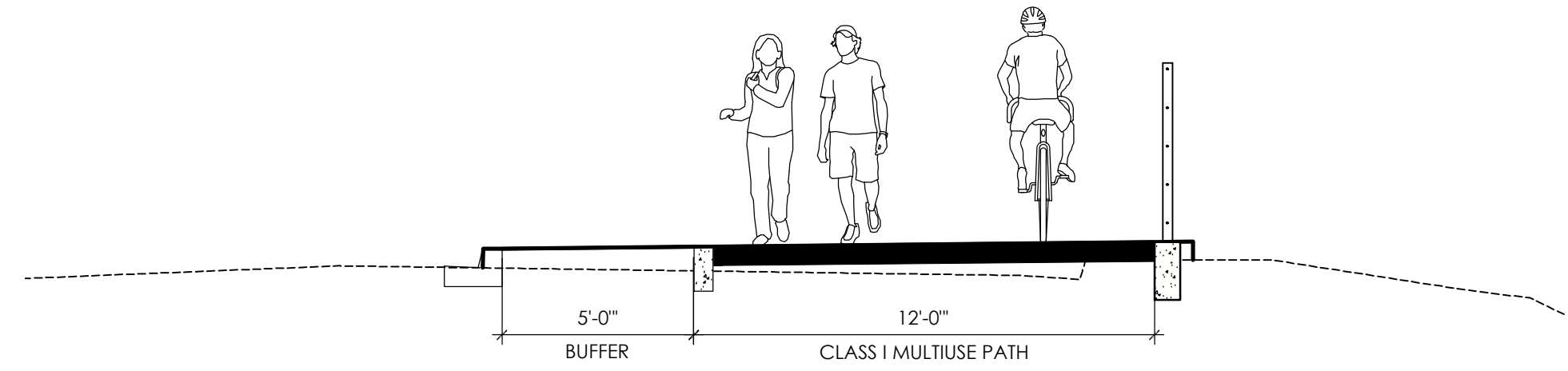
MATCHLINE, SEE SHEET EX-1.04

MATCHLINE, SEE SHEET EX-1.06



LEGEND

SYMBOL	DESCRIPTION
	SCCRTC RIGHT OF WAY
	EXISTING FENCE
	EXISTING EDGE OF PAVEMENT
	RETAINING WALL
	TRAIL BUFFER
	CONCRETE PAVEMENT
	HMA PAVEMENT (TRAIL)
	TREE REMOVAL



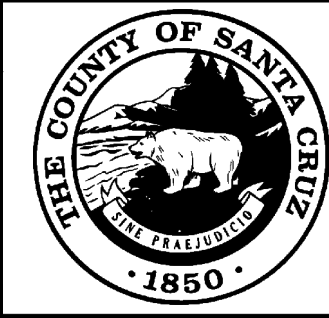
6

SCALE 1/4"=1'-0"

PRELIMINARY
NOT FOR CONSTRUCTION

rrm design group
rrmdesign.com | (949) 361-7950
30352 Camino Capistrano, Ste. 205
San Juan Capistrano, CA 92675

NO.	DATE	DESCRIPTION



COUNTY OF
SANTACRUZ
DEPARTMENT OF PUBLIC WORKS
701 Ocean Street, Room 410
Santa Cruz, CA 95060

RAIL TRAIL SEGMENTS 10 & 11
MONTEREY TO CORONADO SCHEMATIC DESIGN ALTERNATIVES
OPTION B

REFERENCES
FIELD BOOK:
DRAWING #:

DATE 01/21/2025
DRAWN MS
DESIGN KS/MS
CHECKED MS

SCALE AS SHOWN
EX-1.05
VAULT NO.

Layout File Name: EX-1.05; Images: county-logos-bbox=logooperating; ...

