

PRELIMINARY PLANT SCHEDULE

| TREES | QTY | BOTANICAL NAME | COMMON NAME | SIZE/CONTAINER | SPACING |
|---------------|------------|--|------------------------------|-----------------|----------|
| | 11 | ACER RUBRUM 'FRANKSRED'™ | RED SUNSET MAPLE | 2" CAL. B&B | AS SHOWN |
| | 1 | GINKGO BILOBA 'PRINCETON SENTRY' | PRINCETON SENTRY GINKGO | 2" CAL. B&B | AS SHOWN |
| STREET TREES | QTY | BOTANICAL NAME | COMMON NAME | SIZE/CONTAINER | SPACING |
| | 61 | ACER RUBRUM 'BOWHALL' | BOWHALL RED MAPLE | 2" CAL. B&B | 30" o.c. |
| | 42 | PYRUS CALLERYANA 'GLEN'S FORM'™ | GLEN'S FORM PEAR | 2" CAL. B&B | 30" o.c. |
| | 44 | TILIA CORDATA 'CHANCELOE'™ | CHANCELLOR LITTLELEAF LINDEN | 2" CAL. B&B | 30" o.c. |
| SHRUBS | QTY | BOTANICAL NAME | COMMON NAME | SIZE/CONTAINER | SPACING |
| | 12 | MISCANTHUS SINENSIS 'MORNING LIGHT' | MORNING LIGHT EULALIA GRASS | 1 GAL. CONT. | 48" o.c. |
| | 42 | PENNISETUM ALOPECUROIDES 'HAMELN' | HAMELN FOUNTAIN GRASS | 1 GAL. CONT. | 30" o.c. |
| | 145 | PRUNUS LAUROCERASUS 'OTTO LUYKEN' | OTTO LUYKEN ENGLISH LAUREL | 3 GAL. CONT. | 48" o.c. |
| | 46 | SPIRAEA X BUMALDA 'GOLDMOUND' | GOLD MOUND SPIREA | 2 GAL. CONT. | 36" o.c. |
| | 6 | THUJA OCCIDENTALIS 'SMARAGD' | EMERALD GREEN ARBORVITAE | 5'-6" HT. CONT. | 30" o.c. |
| | 73 | VIBURNUM DAVIDII | DAVID VIBURNUM | 2 GAL. CONT. | 36" o.c. |
| GROUND COVERS | QTY | BOTANICAL NAME | COMMON NAME | SIZE/CONTAINER | SPACING |
| | 147 | RUBUS CALYCIINOIDES | CREEPING BRAMBLE | 1 GAL. CONT. | 24" o.c. |
| | ±1,910 SF | | RIVER ROCK | | |
| | ±13,889 SF | LAWN - NORTHWEST SUPREME LAWN SEED MIX - SUNMARK SEEDS (OR APPROVED EQUAL) - LOLIUM PERENNE VAR DASSLER 3 (DASSLER 3 PERENNIAL RYEGRASS) 35% - LOLIUM PERENNE VAR CUTLER II (CUTLER II PERENNIAL RYEGRASS) 35% - FESTUCA RUBRA VAR GARNET (GARNET CREEPING RED FESCUE) 15% - FESTUCA RUBRA SPP FALLAX VAR WINDWARD (WINDWARDS CHEWINGS FESCUE) 15% APPLY AT A RATE OF 8 LBS. PER 1,000 SF OR AS RECOMMENDED BY SUPPLIER | | | |
| | ±22,482 SF | NATIVE E/C SEED MIX - SUNMARK SEEDS (OR APPROVED EQUAL) - HORDEUM BRACHYANTHERUM (MEADOW BARLEY) 40% - BROMUS CARINATUS (CALIFORNIA BROME) 35% - FESTUCA RUBRA RUBRA (NATIVE RED FESCUE) 20% - DESCHAMPSIA CESPITOSA (TUFTED HAIRGRASS) 3% - AGROSTIS EXERATA (SPIKE BENTGRASS) 2% APPLY AT A RATE OF 1 LB. PER 1,000 SF OR AS RECOMMENDED BY SUPPLIER ECOLIVE ORGANICS SHALL BE ADDED TO SEED MIX AT A RATE OF 1.5 LBS. PER 1,000 SF | | | |

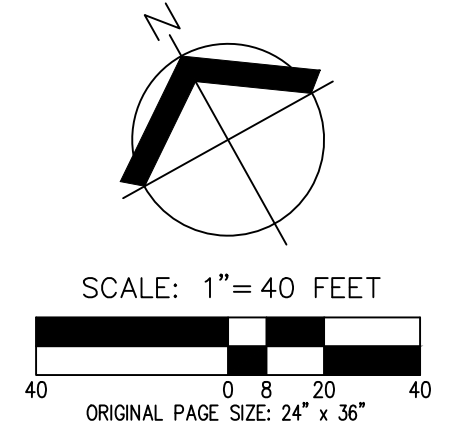
SEE SHEET P9.1

PRELIMINARY LANDSCAPE NOTES

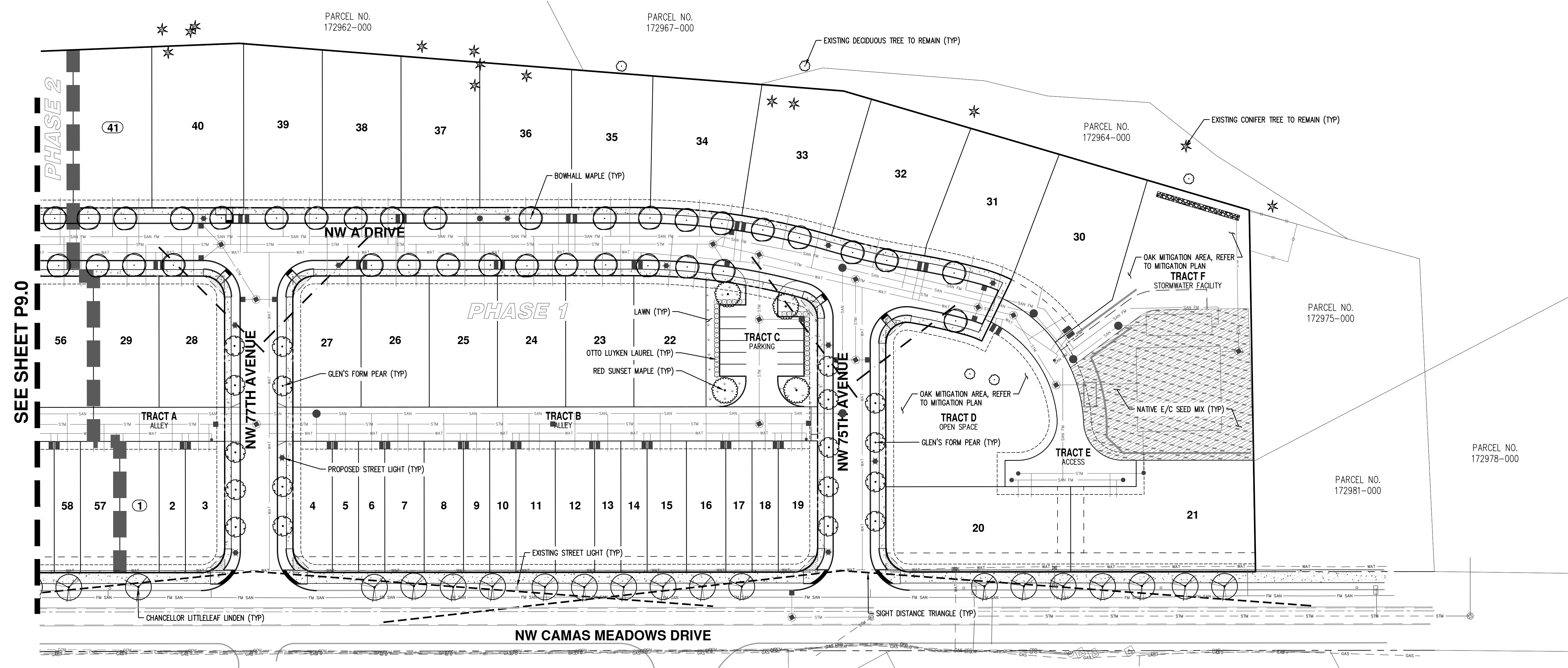
- LANDSCAPE PLAN IS PRELIMINARY AND INTENDED TO SHOW DESIGN INTENT ONLY. REVISIONS OR SUBSTITUTIONS, INCLUDING CHANGES TO PLANT LOCATION, QUANTITIES, TYPES, AND SIZES MAY BE NECESSARY PRIOR TO FINAL APPROVAL BASED ON PLANT AVAILABILITY, SITE CONDITIONS, UTILITY CONFLICTS, ETC. ALL SUBSTITUTIONS SHALL CONFORM TO CITY OF CAMAS LANDSCAPE DESIGN STANDARDS. STREET TREES WILL BE UPDATED TO AVOID FUTURE DRIVEWAY DROPS.
- ALL PLANTS AND PLANTINGS SHALL CONFORM TO CITY OF CAMAS DESIGN STANDARDS AND TO AMERICAN NURSERY STANDARDS ANSI Z60.1. PLANT IN ACCORDANCE WITH ACCEPTED BEST-PRACTICE INDUSTRY STANDARDS SUCH AS THOSE ADOPTED BY THE WASHINGTON ASSOCIATION OF LANDSCAPE PROFESSIONALS (WALP).
- CENTER TREES IN PLANTER STRIPS AND LANDSCAPE PLANTING BEDS WHERE POSSIBLE. KEEP OTHER TREE TRUNKS 3' O.C. MINIMUM FROM CURBS, SIDEWALKS, AND OTHER PAVING OR CENTERED IN PLANTING ISLAND. KEEP SHRUBS AND GROUNDCOVER A MINIMUM OF 24" O.C. FROM PAVING AND 3' O.C. FROM TREES. ADJUST PLANTINGS AS NECESSARY ON SITE TO AVOID CONFLICT WITH UTILITIES, HYDRANTS, LIGHT POLES, METERS, ETC.
- HATCHED AREAS ARE MEANT TO CONVEY GENERAL PLANT LOCATION, PLANT COVERAGE, SPACING, AND LAYOUT SHALL BE CONSISTENT WITH THE SPACING LISTED IN THE PLANT LEGEND FOR FULL COVERAGE.
- MULCH: APPLY 3" DEEP WELL-AGED MEDIUM GRIND OR SHREDDED DARK HEMLOCK BARK MULCH UNDER AND AROUND ALL TREES AND SHRUBS IN PLANTER STRIP AREAS NOT INCLUDED AS STORMWATER FACILITIES OR LAWN. WHERE TREES ARE IN LAWN AREAS, A MINIMUM 3' DIAMETER MULCH RING SHALL BE USED AROUND THE TREE TO PROTECT THE TRUNK FROM MOWER DAMAGE. CARE SHALL BE TAKEN TO AVOID COVERING FOLIAGE OR ROOT CROWNS OF PLANTS. PLANTS SHALL BE PLANTED AT A DEPTH TO ACCOMMODATE BARK MULCH APPLICATION.
- IRRIGATION FOR HEALTHY PLANT ESTABLISHMENT AND SURVIVAL IS RECOMMENDED AND SHALL BE 'DESIGN-BUILD' BY LANDSCAPE CONTRACTOR.
- REFER TO SHEET P5.0 FOR PRELIMINARY TREE PLAN.

TREE PLAN

SITE AREA: 13.81 AC
 TOTAL TREE UNITS REQUIRED (13.81AC X 20): 276
 EXISTING TREES RETAINED/(TREE UNITS): 15/(149.5)
 PROPOSED SITE TREES/(TREE UNITS): 159
 TOTAL TREE UNITS: 308.5
 (RETAINED AND PRESERVED)

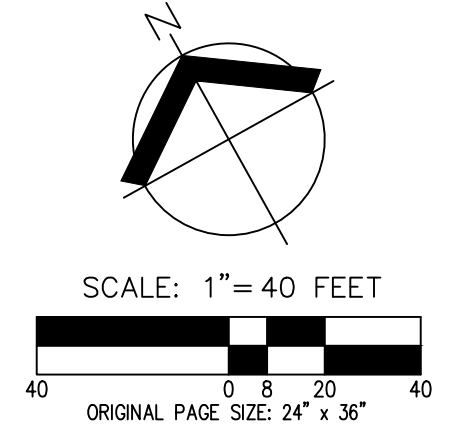


JOB NUMBER: 9030
 DATE: 3/2/2023
 DESIGNED BY: TEB
 DRAWN BY: TEB
 CHECKED BY: MPA



SEE SHEET P9.0

GENERAL NOTE
 1. REFER TO SHEET P9.0 FOR PRELIMINARY PLANT SCHEDULE AND NOTES.



**PRELIMINARY LANDSCAPE PLAN
 CAMAS MEADOWS SUBDIVISION
 ROMANO CAPITAL
 CITY OF CAMAS, WASHINGTON**



JOB NUMBER: 9030
 DATE: 3/2/2023
 DESIGNED BY: TEB
 DRAWN BY: TEB
 CHECKED BY: MPA