



2005 BROADWAY
 VANCOUVER, WA 98663
 PHONE (360)993-0911
 FAX (360)993-0912



PRELIMINARY GRADING AND EROSION CONTROL PLAN

LACAMAS COUNSELING CENTER

WASHINGTON

CITY OF CAMAS

PRELIMINARY

REVISIONS
 REVISED 1-31-23 BY S.A.T.

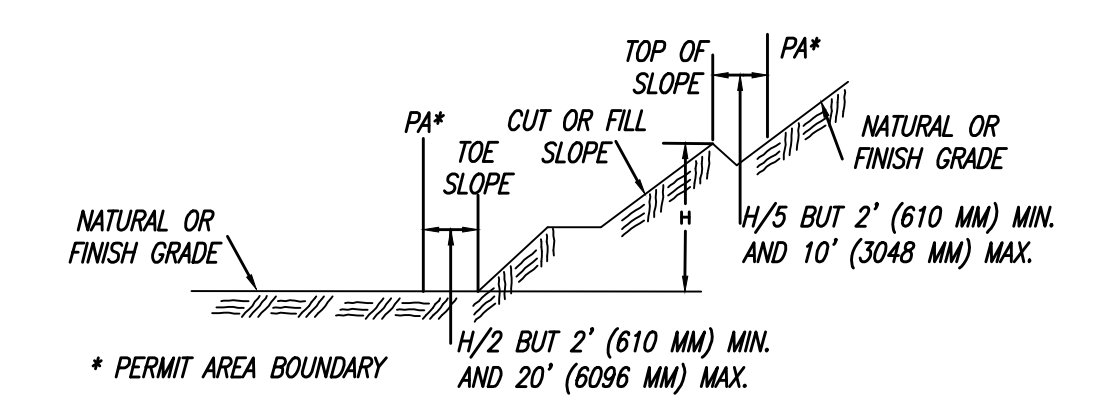
DESIGNED BY: SAT, SEM
 DRAWN BY: SAT, SEM
 CHECKED BY: KRS
 SCALE: 1" = 10'

JOB NUMBER: 5023 SHEET: PRE3.0



LEGEND

- FILL AREA
- CUT AREA
- FG 100 FINISHED GRADE CONTOURS
- 100 EXISTING MAJOR CONTOURS
- STABILIZED CONSTRUCTION ENTRANCE (PER DETAIL EC6)
- TEMPORARY SEDIMENTATION TRAP (PER DETAIL E22)
- TEMPORARY SILT FENCE (PER DETAIL EC12)
- FLOW ARROW



NOTE: GRADING ACTIVITIES MUST BE AT LEAST TWO (2) FEET AWAY FROM PROPERTY BOUNDARIES

IBC APPENDIX J GRADING DETAIL

NO SCALE

DIRT QUANTITIES (CY)

ITEM	CUT	FILL
SITE GRADING	160	600
TRENCH SPOILS	TBD	---
IMPORT	440	---
TOTAL	600	600

- ASSUMED 1.00' FOR SITE STRIPPINGS PER GEOTECH RECOMMENDATIONS ACTUAL CONDITIONS MAY VARY AND WILL EFFECT THE STRIPPING VOLUME.
- EXCESS TRENCH SPOILS WILL BE STOCKPILED PRIOR TO BEING HAULED OFF SITE OR MAY BE USED AS STRUCTURAL FILL.
- STRIPPINGS WILL BE STOCKPILED PRIOR TO BEING HAULED OFF SITE OR MAY BE USED NON-STRUCTURAL FILL.

QUANTITIES DO NOT ACCOUNT FOR SHRINK AND SWELL FACTORS. ACTUAL MATERIAL QUANTITIES MAY VARY PER SOIL TYPE, SOIL CONDITIONS, & CONSTRUCTION PRACTICES.

(P) PROTECTION OF BIORETENTION AREAS & INFILTRATION TRENCHES: MINIMIZE COMPACTION OF THE BASE AND SIDEWALLS OF THE BIORETENTION AREAS & INFILTRATION TRENCHES. EXCAVATION SHOULD NOT BE ALLOWED DURING WET OR SATURATED CONDITIONS. EXCAVATION SHOULD BE PERFORMED BY MACHINERY OPERATING ADJACENT TO THE BIORETENTION AREAS & INFILTRATION TRENCHES. NO HEAVY EQUIPMENT WITH NARROW TRACKS, NARROW TIRES OR LARGE LUGGED, HIGH PRESSURE TIRES SHOULD BE ALLOWED IN THE BIORETENTION AREAS & INFILTRATION TRENCHES. BIORETENTION AREAS & INFILTRATION TRENCHES SHOULD BE PROTECTED FROM CONSTRUCTION STORMWATER RUNOFF.

© SCA ENGINEERING PLLC - DATE PLOTTED: Jan. 31, 2023 - 3:46 PM SCA DRAWING FILE: W:\DWG\5023-LACAMAS COUNSELING CENTER\DRAWINGS\PRELIM\PRELIM GRADING AND EROSION CONTROL PLAN.DWG

