

# WATER WELL BID AWARD



Discuss and consider action: Resolution No. R2025-04: E. Belaj

A RESOLUTION OF THE CITY COUNCIL OF THE CITY OF BURNET, TEXAS,  
SELECTING A PROPOSAL UNDER REQUEST FOR PROPOSAL 2024-007;  
AWARDING A CONTRACT TO SAID PROPOSER AND AUTHORIZING THE  
CITY MANAGER TO EXECUTE THE CONTRACT ON BEHALF OF THE CITY

# WATER WELL BID AWARD

*BACKGROUND*

## PROJECT INFORMATION

- Cheatham Well Pump and Motor
  - Replace one Pump and Motor
  - Rehab the existing Pumps and Motor
- Main Street Water Plant Pumps
  - Replace one of the three pumps




# WATER WELL BID AWARD

FUNDING

## FUNDING APPROPRIATION

- FY 24/25 BUDGETED \$250K for Pump and Motor repair/replacement for water and wastewater system
- Bids:
  - Global Total Services: \$213,890
  - Smith Pumps: \$221,670
  - Jurgensen Pump: \$76,770



**JURGENSEN PUMP, LLC**  
PO Box 710  
Valley Mills, TX 76689

Phone # 254-932-6251 Fax # 254-932-6770

Date	Estimate #
6/27/2023	6172

REGULATED BY THE TEXAS DEPARTMENT OF LICENSING & REGULATIONS PO BOX 12157 AUSTIN, TX 78711 LICENSE #54576

WARRANTY: New well equipment is covered by Manufacturer's Warranties and these warranties are the responsibility of the Manufacturers. LABOR WARRANTY: Is 30-days from installation of new well equipment

Name / Address	Project
City of Burnet P.O. Box 1369 Burnet, TX 76611	

Description	Qty	Cost	Total
Cheatam Well 1 - 40HP Product Lube VTP SWL = 26 FT TPL = 99 FT Total Well Depth = 483 FT (Open Hole) 750 GPM @ 140 FT TDH			
BASE BID:			
40HP Motor Repair	1	2,500.00	2,500.00
Labor- VTP T/D & Inspection	1	2,500.00	2,500.00
Pump Repair - Replace bearings, shafts, assemble	1	7,500.00	7,500.00
BID ALT1:			
Labor Crew and 60Ton Crane to Pull Well Pump	1	4,100.00	4,100.00
40HP Motor Repair	1	2,500.00	2,500.00
New Well Pump - Product Lube VTP	1	22,000.00	22,000.00
- Simflo SM10H-3 Stage Bowl Assembly - Cone Strainer - (9) 6" x 10' Column Pipe T&C - (1) 6" x 5' Column Pipe T&C - 1-1/4" 416SS Shafting T&C - 304SS drop-in spiders with rubber bearings - 6" Ductile Iron Discharge Head with stuffing box assembly - Install City's stored Motor 6" x 119-1/4" column pipe straight thread			
1-1/4" x 120" 416SS Shaft T&C	3	290.00	870.00
1-1/4" x 6" drop in spider with rubber bearing	3	130.00	390.00
Labor Crew and 60Ton Crane to Install Well Pump	1	4,500.00	4,500.00
- Includes Start-Up Services			
Quote valid for 30 days!			<b>Subtotal</b>
			\$48,240.00
			<b>Sales Tax (0.00)</b>
			\$0.00
			<b>Total</b>
			\$48,240.00

# WATER WELL BID AWARD

*BID COSTS*

There is a line item bid to rehabilitate the existing pump and motors for these locations set at \$5000.

Condition unknown: Price may change

Resolution Awards bid not to exceed \$85K (8.5K more)



**JURGENSEN PUMP, LLC**  
PO Box 710  
Valley Mills, TX 76689

Phone # 254-932-6251 Fax # 254-932-6770

<b>Name / Address</b>
City of Burnet P.O. Box 1369 Burnet, TX 76611

<b>Date</b>	<b>Estimate #</b>
6/27/2023	6172

REGULATED BY THE TEXAS  
DEPARTMENT OF LICENSING &  
REGULATIONS PO BOX 12157  
AUSTIN, TX 78711  
LICENSE #54576

WARRANTY: New well equipment is covered by  
Manufacturer's Warranties and these warranties are  
the responsibility of the Manufacturers.  
LABOR WARRANTY: Is 30-days from  
installation of new well equipment

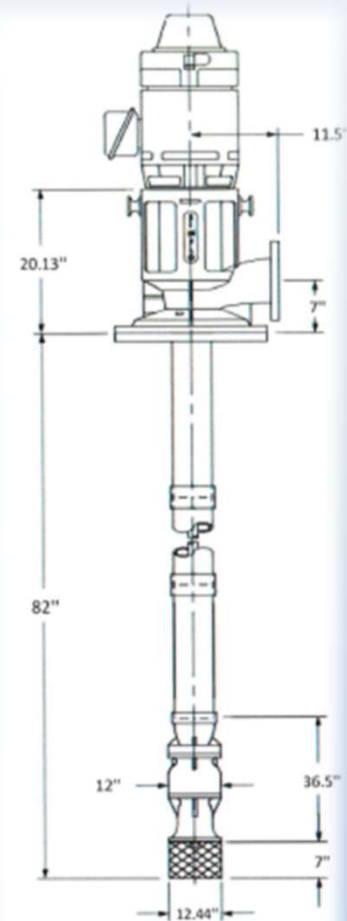
			Project
Description	Qty	Cost	Total
Cheatam Well 1 - 40HP Product Lube VTP SWL = 26 FT TPL = 99 FT Total Well Depth = 483 FT (Open Hole) 750 GPM @ 140 FT TDH			
BASE BID:			
40HP Motor Repair	1	2,500.00	2,500.00
Labor- VTP T/D & Inspection	1	2,500.00	2,500.00
Pump Repair - Replace bearings, shafts, assemble	1	7,500.00	7,500.00
BID ALT1:			
Labor Crew and 60Ton Crane to Pull Well Pump	1	4,100.00	4,100.00
40HP Motor Repair	1	2,500.00	2,500.00
New Well Pump - Product Lube VTP	1	22,000.00	22,000.00
- Simflo SM10H-3 Stage Bowl Assembly			
- Cone Strainer			
- (9) 6" x 10' Column Pipe T&C			
- (1) 6" x 5' Column Pipe T&C			
- 1-1/4" 416SS Shafting T&C			
- 304SS drop-in spiders with rubber bearings			
- 6" Ductile Iron Discharge Head with stuffing box assembly			
- Install City's stored Motor			
6" x 119-1/4" column pipe straight thread	3	460.00	1,380.00
1-1/4" x 120" 416SS Shaft T&C	3	290.00	870.00
1-1/4" x 6" drop in spider with rubber bearing	3	130.00	390.00
Labor Crew and 60Ton Crane to Install Well Pump	1	4,500.00	4,500.00
- Includes Start-Up Services			
Quote valid for 30 days!			
<b>Subtotal</b>			\$48,240.00
<b>Sales Tax (0.00)</b>			\$0.00
<b>Total</b>			\$48,240.00

# WATER WELL BID AWARD

*TIMELINE*

## Once Awarded:

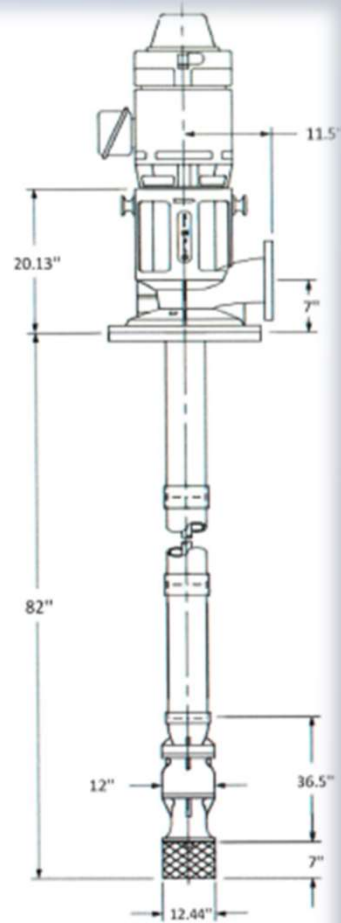
- 2-months lead time
- 2-months rehab
- Cheatham well will always have two operating pumps.
- Main St Water Plant will be operating with two instead of 3 pumps.
- Will coordinate with contractor to schedule to start the work in March-April.



# WATER WELL BID AWARD

*AWARD*

## Award Option:



## Recommendation

Staff recommends the approval of Resolution No. R2024-04

# Questions?