

ORDINANCE

AN ORDINANCE AMENDING ARTICLES III, IV, V, VI, VII, VIII, IX, X, XI AND XIV OF CHAPTER 10, OF THE CODE OF ORDINANCES OF THE CITY OF BURLESON, TEXAS ADOPTING THE 2021 EDITIONS OF THE INTERNATIONAL BUILDING CODE, THE INTERNATIONAL RESIDENTIAL CODE, THE INTERNATIONAL PLUMBING CODE, THE INTERNATIONAL MECHANICAL CODE, THE INTERNATIONAL FUEL GAS CODE, THE INTERNATIONAL ENERGY CONSERVATION CODE, THE INTERNATIONAL SWIMMING POOL AND SPA CODE, THE INTERNATIONAL EXISTING BUILDING CODE AND LOCAL AMENDMENTS THERETO; ADOPTING THE 2020 EDITION OF THE NATIONAL ELECTRIC CODE AND LOCAL AMENDMENTS THERETO; PROVIDING A PENALTY FOR VIOLATION; PROVIDING THAT THIS ORDINANCE IS CUMULATIVE; PROVIDING A SEVERABILITY CLAUSE; PROVIDING A SAVINGS CLAUSE; PROVIDING FOR INCORPORATION OF THE RECITALS, DETERMINING THAT THE MEETINGS AT WHICH THIS ORDINANCE WAS PASSED WAS NOTICED AND OPEN TO THE PUBLIC AS REQUIRED BY LAW; AND ESTABLISHING THE EFFECTIVE DATE.

WHEREAS, the City of Burleson is a home rule city acting under its charter adopted by the electorate pursuant to Article XI, Section 5 of the Texas Constitution and Chapter 9 of the Texas Local Government Code; and

WHEREAS, the International Code Council (ICC) has developed a set of comprehensive and coordinated national model construction codes (known as the “International Codes”); and

WHEREAS, the International Building Code, International Residential Code, International Plumbing Code, International Mechanical Code, International Fuel and Gas Code, International Energy Conservation Code, International Swimming Pool and Spa Code and the International Existing Building Code have been prepared by the ICC, and in addition to review by the North Central Texas Council of Governments (NCTCOG), have been reviewed by City staff; and

WHEREAS, the 2021 editions of the International Building Code, International Residential Code, International Plumbing Code, International Mechanical Code, International Fuel Gas Code, International Energy Conservation Code, International Swimming Pool and Spa Code, International Existing Building Code and the 2020 edition of the National Electrical Code conforms to the State adopted building codes for energy conservation and electrical requirements; and

WHEREAS, the City Council of the City of Burleson has determined that it is in the best interest of the citizens of the City of Burleson to update and adopt the 2021 edition of the International Building Code International Residential Code, International Plumbing

Code, International Mechanical Code, International Fuel and Gas Code, International Energy Conservation Code, International Swimming Pool and Spa Code, and the International Existing Building Code and the 2020 edition of the National Electrical Code and has determined that this will promote the health, safety and general welfare of the citizens of the City of Burleson and the general public; and

WHEREAS, the City Council of the City of Burleson further desires to adopt certain local amendments to such Codes reflecting the unique needs of the City of Burleson; and

WHEREAS, prior to the adoption of this ordinance and the local amendments contained herein, the City Council held a public hearing allowing all interested persons in attendance to address the City Council regarding the contents of this ordinance;

NOW, THEREFORE, BE IT ORDAINED BY THE CITY COUNCIL OF THE CITY OF BURLESON, TEXAS, THAT:

SECTION 1.

Article III, “International Building Code,” of Chapter 10, “Buildings and Regulations,” of the Code of Ordinances, City of Burleson, Texas is hereby amended to read as follows:

“ARTICLE III – INTERNATIONAL BUILDING CODE

Sec. 10-141. – Proposed for Adoption.

The 2021 edition of the International Building Code of the International Code Conference, as hereinafter amended, is from the effective date hereof, hereby adopted as the building code of the City of Burleson. One copy of such International Building Code is incorporated herein by reference and shall have been filed for permanent record and inspection in the office of the city secretary.

Sec. 10-142. - Amendments.

Amendments to the International Building Code adopted herein are as follows:

(1) Section 101.4; amend to read as follows:

101.4 Referenced codes. The other codes listed in Sections 101.4.1 through 101.4.8 and referenced elsewhere in this code, when specifically adopted, shall be considered part of the requirements of this code to the prescribed extent of each such reference. Whenever amendments have been adopted to the referenced codes and standards, each reference to said code and standard shall be considered to reference the amendments as well. Any reference to NFPA 70 or the Electrical Code shall mean the Electrical Code as adopted.

(2) Section 101.4.8; add the following:

101.4.8 Electrical. The provisions of the Electrical Code shall apply to the installation of electrical systems, including alterations, repairs, replacement, equipment, appliances, fixtures, fittings and appurtenances thereto.

(3) **Section 103 and 103.1 amend to insert the Department Name**
DEPARTMENT OF BUILDING SAFETY Building Permits and Inspections Department
103.1 Creation of enforcement agency. The Department of *Building Permits and Inspections Department* is hereby created and the official in charge thereof shall be known as the *building official*.

(4) **Section 105.2; under sub-title entitled “Building” amend, delete and re-number as follows:**

Building:

1. ~~One-story detached accessory structures used as tool and storage sheds, Playhouses and similar uses, provided the floor area does not exceed 120 square feet (11 m2).~~
- ~~2. Fences not over 7 feet (1829 mm) high.~~
- ~~3.~~ 2. (Unchanged)
4. 3. Retaining walls that are not over 4 feet in height measured from the bottom of the footing to the top of the wall, at the highest point of the wall, unless supporting a surcharge or impounding Class I, II, or IIIA liquids.
- ~~5.~~ 4. (Unchanged)
- ~~6.~~ 5. Sidewalks not located within the Public Right-of-Way
- ~~7.~~ 6. (Unchanged)
- ~~8.~~ 7. (Unchanged)
- ~~9.~~ 8. (Unchanged)
- ~~10. Shade cloth structures constructed for nursery or agricultural purposes, not including service systems.~~
- ~~11.~~ 9. (Unchanged)
- ~~12.~~ 10. (Unchanged)
- ~~13.~~ 11. (Unchanged)

(5) **Section 109; add Section 109.7 to read as follows:**

109.7 Re-inspection Fee. A fee as established by city council resolution may be charged when:

1. The inspection called for is not ready when the inspector arrives;
 2. No building address or permit card is clearly posted;
 3. City approved plans are not on the job site available to the inspector;
 4. The building is locked or work otherwise not available for inspection when called;
 5. The job site is red-tagged twice for the same item;
 6. The original red tag has been removed from the job site.
 7. Failure to maintain erosion control, trash control or tree protection.
- Any re-inspection fees assessed shall be paid before any more inspections are made on that job site.

(6) **Section 110.3.5; Lath, gypsum board and gypsum panel product inspection. Delete exception**

Exception: Gypsum board and gypsum panel products that are not part of a fire resistance rated assembly or a shear assembly.

(7) **Delete Section 113 Board of Appeals**

(8) **Section 202; amend definition of Ambulatory Care Facility as follows:**

AMBULATORY CARE FACILITY. Buildings or portions thereof used to provide medical, surgical, psychiatric, nursing or similar care on a less than 24-hour basis to individuals persons who are rendered incapable of self-preservation by the services provided or staff has accepted

responsibility for care recipients already incapable. This group may include but not be limited to the following:

- Dialysis centers
- Sedation dentistry
- Surgery centers
- Colonic centers
- Psychiatric centers

(9) **Section 202; amend definition of “Repair Garage” as follows:**

REPAIR GARAGE. A building, structure or portion thereof used for servicing or repairing motor vehicles. This occupancy shall also include garages involved in minor repair, modification and servicing of motor vehicles for items such as lube changes, inspections, windshield repair or replacement, shocks, minor part replacement and other such minor repairs.

(10) **Section 202; amend definition of SPECIAL INSPECTOR to read as follows:**

SPECIAL INSPECTOR. A qualified person employed or retained by an approved agency who shall prove to the satisfaction of the registered design professional in responsible charge and approved by the Building Official as having the competence necessary to inspect a particular type of construction requiring special inspection.

(11) **Section 202; amend definition of “High-Rise Building” to read as follows:**

HIGH-RISE BUILDING. A building with an occupied floor located more than ~~75~~ 55 feet (~~22~~ 860 mm) (16 764 mm) above the lowest level of fire department vehicle access

(12) **Section 303.1.3; add a sentence to read as follows:**

303.1.3 Associated with Group E occupancies. A room or space used for assembly purposes that is associated with a Group E occupancy is not considered a separate occupancy. except when applying the assembly requirements of Chapter 10 and 11.

(13) **Section 304.1; add the following to the list of occupancies:**

Fire stations
Police stations with detention facilities for 5 or less

(14) **Section 307.1.1; add the following sentence to Exception 4:**

4. Cleaning establishments... *{Text unchanged}* ...with Section 707 or 1-hour horizontal assemblies constructed in accordance with Section 711 or both. See also IFC Chapter 21, Dry Cleaning Plant provisions.

(15) **Section 403.1, Exception 3; amend to read as follows:**

3. The open air portion of a building [*remainder unchanged*]

(16) **Section 403.3, Automatic Sprinkler System. Delete exception.**

(17) **Section 403.3.2; amend to read as follows:**

[F] 403.3.2 Water supply to required fire pumps. In buildings that are more than ~~420~~ 120 feet (36.5 m) in building height, required fire pumps shall be supplied by connections to no fewer than two water mains located in different streets. Separate supply piping shall be provided between each connection to the water main and the pumps. Each connection and the supply piping between the

connection and the pumps shall be sized to supply the flow and pressure required for the pumps to operate

(18) **Section 404.10 Exit Stairways in an atrium; amend to read as follows:**

Section 404.10 Exit Stairways in an atrium. Where an atrium contains an ~~interior~~ exit access stairway all the following shall be met:*[Remainder Unchanged]*

(19) **Section 406.3.3.1 Carport separation; add sentence to read as follows:**

A fire separation is not required between a Group R-2 and U carport provided that the carport is entirely open on all sides and that the distance between the two is at least 10 feet (3048 mm).

(20) **Section 423.5.1; add exception 3 and amend to read as follows:**

423.5.1 Required occupant capacity. The required occupant capacity of the storm shelter shall include all of the buildings on the site and shall be the ~~greater of the following:~~

~~1. The Total occupant load of the classrooms, vocational rooms and offices in the Group E occupancy.~~

~~2. The occupant load of the largest indoor assembly space that is associated with the Group E occupancy.~~

Exceptions:

1. Where a new building is being added on an existing Group E site, and where the new building is not of sufficient size to accommodate the required occupant capacity of the storm shelter for all of the buildings on the site, the storm shelter shall at a minimum accommodate the required occupant capacity for the new building.

2. Where approved by the building official, the required occupant capacity of the shelter shall be permitted to be reduced by the occupant capacity of any existing storm shelters on the site.

3. Where approved by the building official, the actual number of occupants for whom each occupied space, floor or building is designed, although less than those determined by occupant load calculation, shall be permitted to be used in the determination of the required design occupant capacity for the storm shelter.

(21) **Section 503.1.; add sentence to read as follows:**

503.1. General. *[Existing Text to remain]*

Where a building contains more than one distinct type of construction, the building shall comply with the most restrictive area, height, and stories, for the lesser type of construction or be separated by fire walls, except as allowed in Section 510.

(22) **Table 506.2; delete footnote i from table**

~~i. The maximum allowable area for a single story non-sprinklered Group U greenhouse is permitted to be 9000 square feet or the allowable area shall be permitted to comply with Table C102.1 of Appendix C~~

(23) **Section 506.3.1; add sentence to read as follows:**

506.3.1 Minimum percentage of perimeter. *[Existing Text remains]*

In order to be considered as accessible, if not in direct contact with a street or fire lane, a minimum 10-foot-wide pathway meeting fire department access from the street or approved fire lane shall be provided.

(24) Section 708.4.2; change sentence to read as follows:

708.4.2 Fireblocks and draftstops in combustible construction. *[Body of text unchanged]*

Exceptions:

1. Buildings equipped with an automatic sprinkler system installed throughout in accordance with Section 903.3.1.1, or in accordance with Section 903.3.1.2 provided that sprinkler protection is provided in the space between the top of the fire partition and the underside of the floor or roof sheathing, deck or slab above as required for systems complying with Section 903.3.1.1. Portions of buildings containing concealed spaces filled with noncombustible insulation as permitted for sprinkler omission shall not apply to this exception for draftstopping. *[Remainder unchanged]*

(25) Section 718.3; amend exception to read as follows:

Exceptions: Buildings equipped throughout with an automatic sprinkler system in accordance with Section 903.3.1.1. and provided that in combustible construction, sprinkler protection is provided in the floor space

(26) Section 718.4; amend exception to read as follows:

Exceptions: Buildings equipped throughout with an automatic sprinkler system in accordance with Section 903.3.1.1 and provided that in combustible construction, sprinkler protection is provided in the attic space.

(27) Section 901.6.1; add Section 901.6.1.1 to read as follows:

901.6.1.1 Standpipe Testing. Building owners/managers must maintain and test standpipe systems as per NFPA 25 requirements. The following additional requirements shall be applied to the testing that is required every 5 years:

1. The piping between the Fire Department Connection (FDC) and the standpipe shall be backflushed when foreign material is present, and also hydrostatically tested for all FDC's on any type of standpipe system. Hydrostatic testing shall also be conducted in accordance with NFPA 25 requirements for the different types of standpipe systems.
2. For any manual (dry or wet) standpipe system not having an automatic water supply capable of flowing water through the standpipe, the tester shall connect hose from a fire hydrant or portable pumping system (as approved by the fire code official) to each FDC, and flow water through the standpipe system to the roof outlet to verify that each inlet connection functions properly. Confirm that there are no open hose valves prior to introducing water into a dry standpipe. There is no required pressure criteria at the outlet. Verify that check valves function properly and that there are no closed control valves on the system.
3. Any pressure relief, reducing, or control valves shall be tested in accordance with the requirements of NFPA 25. All hose valves shall be exercised.
4. If the FDC is not already provided with approved caps, the contractor shall install such caps for all FDC's as required by the fire code official.

5. Upon successful completion of standpipe test, place a blue tag (as per Texas Administrative Code, Fire Sprinkler Rules for Inspection, Test and Maintenance Service (ITM) Tag) at the bottom of each standpipe riser in the building. The tag shall be check-marked as "Fifth Year" for Type of ITM, and the note on the back of the tag shall read "5 Year Standpipe Test" at a minimum.
6. The procedures required by Texas Administrative Code Fire Sprinkler Rules with regard to Yellow Tags and Red Tags or any deficiencies noted during the testing, including the required notification of the local Authority Having Jurisdiction (*fire code official*) shall be followed.
7. Additionally, records of the testing shall be maintained by the owner and contractor, if applicable, as required by the State Rules mentioned above and NFPA 25.
8. Standpipe system tests where water will be flowed external to the building shall not be conducted during freezing conditions or during the day prior to expected night time freezing conditions.
9. Contact the *fire code official* for requests to remove existing fire hose from Class II and III standpipe systems where employees are not trained in the utilization of this firefighting equipment. All standpipe hose valves must remain in place and be provided with an approved cap and chain when approval is given to remove hose by the *fire code official*.

(28) **Section 903.1.1; amend to read as follows:**

[F] **903.1.1 Alternative protection.** Alternative automatic fire-extinguishing systems complying with Section 904 shall be permitted ~~instead of~~ in addition to automatic sprinkler protection where recognized by the applicable standard ~~and, or as~~ approved by the *fire code official*.

(29) **Section 903.2; add the following:**

[F] **903.2 Where required.** *Approved automatic sprinkler systems* in new buildings and structures shall be provided in the locations described in Sections 903.2.1 through 903.2.12. Automatic Sprinklers shall not be installed in elevator machine rooms, elevator machine spaces, and elevator hoistways, other than pits where such sprinklers would not necessitate shunt trip requirements under any circumstances. Storage shall not be allowed within the elevator machine room. Signage shall be provided at the entry doors to the elevator machine room indicating "ELEVATOR MACHINERY – NO STORAGE ALLOWED."

(30) [F] **Section 903.2; delete the exception.**

(31) **Section 903.2.4.2; change to read as follows:**

903.2.4.2 Group F-1 distilled spirits. An automatic sprinkler system shall be provided throughout a Group F-1 fire area used for the manufacture of distilled spirits involving more than 120 gallons of distilled spirits (>16% alcohol) in the fire area at any one time.

(32) **Section 903.2.9.3; change to read as follows:**

903.2.9.3 Group S-1 distilled spirits or wine. An automatic sprinkler system shall be provided throughout a Group S-1 fire area used for the bulk storage of distilled spirits or wine involving more than 120 gallons of distilled spirits or wine (>16% alcohol) in the fire area at any one time.

(33) **Section 903.2.9.4 and 903.2.9.5; delete Exception to 903.2.9.4 and add Section 903.2.9.5 to read as follows:**

[F] 903.2.9.5 Self-service storage facility. An automatic sprinkler system shall be installed throughout all self-service storage facilities.

(34) **Section 903.2.11; amend 903.2.11.3 and add 903.2.11.7, 903.2.11.8, and 903.2.11.9 as follows:**

903.2.11.3 Buildings ~~55~~ 35 feet or more in height. An automatic sprinkler system shall be installed throughout buildings that have one or more stories with an occupant load of 30 or more, other than penthouses in compliance with Section 1510 of the *International Building Code*, located ~~55~~ 35 feet (16 764 10 668 mm) or more above the lowest level of fire department vehicle access, measured to the finished floor.

Exceptions:

1. Open parking structures in compliance with Section 406.5 of the *International Building Code*, having no other occupancies above the subject garage.
2. ~~Occupancies in Group F-2.~~

903.2.11.7 High-Piled Combustible Storage. For any building with a clear height exceeding 12 feet (4572 mm), see Chapter 32 of the IFC to determine if those provisions apply.

903.2.11.8 Spray Booths and Rooms. New and existing spray booths and spraying rooms shall be protected by an approved automatic fire-extinguishing system.

903.2.11.9 Buildings Over 6,000 sq.ft. An automatic sprinkler system shall be installed throughout all buildings with a building area 6,000 sq.ft. or greater and in all existing buildings that are enlarged to be 6,000 sq. ft. or greater. For the purpose of this provision, fire walls shall not define separate buildings.

Exception: Open parking garages in compliance with Section 406.5 of the *International Building Code* where all of the following conditions apply:

- a. The structure is freestanding
- b. The structure does not contain any mixed uses, accessory uses, storage rooms, electrical rooms, elevators or spaces used or occupied for anything other than motor vehicle parking
- c. The structure does not exceed 3 stories
- d. An approved fire apparatus access road is provided around the entire structure

(35) **Section 903.3.1.1.1; amend to read as follows:**

[F] 903.3.1.1.1 Exempt locations. When approved by the *fire code official*, automatic sprinklers shall not be required in the following rooms or areas where such ...{text unchanged}... because it is damp, of fire-resistance-rated construction or contains electrical equipment.

1. Any room where the application of water, or flame and water, constitutes a serious life or fire hazard.
2. Any room or space where sprinklers are considered undesirable because of the nature of the contents, when approved by the code official.
3. Generator and transformer rooms, under the direct control of a public utility, separated from the remainder of the building by walls and floor/ceiling or roof/ceiling assemblies having a fire-resistance rating of not less than 2 hours.
4. ~~Rooms or areas that are of noncombustible construction with wholly noncombustible contents.~~
4. Fire service access-Elevator machine rooms, and machinery spaces, and hoistways, other than

pits where such sprinklers would not necessitate shunt trip requirements under any circumstances.

5. {Delete.}

(36) Section 903.3.1.2; change to read as follows:

903.3.1.2 NFPA 13R sprinkler systems. Automatic sprinkler systems in Group R occupancies shall be permitted to be installed throughout in accordance with NFPA 13R where the Group R occupancy meets all of the following conditions:

1. Four stories or less above grade plane.
2. The floor level of the highest story is ~~30~~ 35 feet (9144 10668 mm) or less above the lowest level of fire department vehicle access.
3. The floor level of the lowest story is ~~30~~ 35 feet (9144 10668 mm) or less below the lowest level of fire department vehicle access.

{No change to remainder of section.}

(37) Section 903.3.1.2.2; change to read as follows:

903.3.1.2.2 Corridors and balconies in the means of egress. Sprinkler protection shall be provided in all corridors and for all balconies. ~~in the means of egress where any of the following conditions apply:~~ *{Delete the rest of this section.}*

(38) Section 903.3.1.2.3; delete section and replace as follows:

Section 903.3.1.2.3 Attached Garages and Attics. Sprinkler protection is required in attached garages, and in the following attic spaces:

1. Attics that are used or intended for living purposes or storage shall be protected by an automatic sprinkler system.
2. Where fuel-fired equipment is installed in an unsprinklered attic, not fewer than one quick-response intermediate temperature sprinkler shall be installed above the equipment.
3. Attic spaces of buildings that are two or more stories in height above grade plane or above the lowest level of fire department vehicle access.
4. Group R-4, Condition 2 occupancy attics not required by Item 1 or 3 to have sprinklers shall comply with one of the following:
 - 4.1. Provide automatic sprinkler system protection.
 - 4.2. Provide a heat detection system throughout the attic that is arranged to activate the building fire alarm system.
 - 4.3. Construct the attic using noncombustible materials.
 - 4.4. Construct the attic using fire-retardant-treated wood complying with Section 2303.2 of the International Building Code.
 - 4.5. Fill the attic with noncombustible insulation.

(39) Section 903.3.1.3; change to read as follows:

[F] 903.3.1.3 NFPA 13D sprinkler systems. Automatic sprinkler systems installed in one- and two-family *dwelling*s; Group R-3; Group R-4 Condition 1 and *townhouses* shall be permitted to be installed throughout in accordance with NFPA 13D or in accordance with state law.

(40) Section 903.3.1.4; add to read as follows:

[F] 903.3.1.4 Freeze protection. Freeze protection systems for automatic fire sprinkler systems shall be in accordance with the requirements of the applicable referenced NFPA standard and this section.

903.3.1.4.1 Attics. Only dry-pipe, preaction, or listed antifreeze automatic fire sprinkler systems shall be allowed to protect attic spaces.

Exception: Wet-pipe fire sprinkler systems shall be allowed to protect non-ventilated attic spaces where:

1. The attic sprinklers are supplied by a separate floor control valve assembly to allow ease of draining the attic system without impairing sprinklers throughout the rest of the building, and
2. Adequate heat shall be provided for freeze protection as per the applicable referenced NFPA standard, and
3. The attic space is a part of the building's thermal, or heat, envelope, such that insulation is provided at the roof deck, rather than at the ceiling level.

903.3.1.4.2 Heat trace/insulation. Heat trace/insulation shall only be allowed where approved by the fire code official for small sections of large diameter water-filled pipe.

(41) **Section 903.3.5; add a second paragraph to read as follows:**

[F] Water supply as required for such systems shall be provided in conformance with the supply requirements of the respective standards; however, every water-based fire protection system shall be designed with a 10 psi safety factor. Reference Section 507.4 for additional design requirements.

(42) **Section 903.4; add a second paragraph after the exceptions to read as follows:**

[F] Sprinkler and standpipe system water-flow detectors shall be provided for each floor tap to the sprinkler system and shall cause an alarm upon detection of water flow for more than 45 seconds. All control valves in the sprinkler and standpipe systems except for fire department hose connection valves shall be electrically supervised to initiate a supervisory signal at the central station upon tampering.

(43) **Section 903.4.2; add second paragraph to read as follows:**

[F] The alarm device required on the exterior of the building shall be a weatherproof horn/strobe notification appliance with a minimum 75 candela strobe rating, installed as close as practicable to the fire department connection.

(44) **Section 905.2; amend to read as follows:**

[F] 905.2 Installation standard. Standpipe systems shall be installed in accordance with this section and NFPA 14. Manual dry standpipe systems shall be supervised with a minimum of 10 psig and a maximum of 40 psig air pressure with a high/low alarm.

(45) **Section 905.3; add Section 905.3.9 and exception to read as follows:**

[F] 905.3.9 Buildings exceeding 10,000 sq. ft. In buildings exceeding 10,000 square feet in area per story and where any portion of the building's interior area is more than 200 feet (60960 mm) of travel, vertically and horizontally, from the nearest point of fire department vehicle access, Class I automatic wet or manual wet standpipes shall be provided.

Exceptions:

1. Automatic dry and semi-automatic dry standpipes are allowed as provided for in NFPA 14.

2. R-2 occupancies of four stories or less in height having no interior corridors.

(46) Section 905.4, amend Item 1, 3, and 5 and add Item 7. to read as follows:

[F] 1. In every required ~~interior~~-exit stairway, a hose connection shall be provided for each story above and below grade plane. Hose connections shall be located at an intermediate landing between stories, unless otherwise approved by the fire code official.

2. {No change.}

3. In every exit passageway, at the entrance from the exit passageway to other areas of a building. **Exception:** Where floor areas adjacent to an exit passageway are reachable from an ~~interior~~ exit stairway hose connection by a {No change to rest.}

4. {No change.}

5. Where the roof has a slope less than four units vertical in 12 units horizontal (33.3-percent slope), each standpipe shall be provided with a two-way a-hose connection shall be located to serve the roof or at the highest landing of an interior exit stairway with stair access to the roof provided in accordance with Section 1011.12.

6. {No change.}

7. When required by this Chapter, standpipe connections shall be placed adjacent to all required exits to the structure and at two hundred feet (200') intervals along major corridors thereafter, or as otherwise approved by the fire code official.

(47) Section 905.8; change to read as follows:

905.8 Dry standpipes. Dry standpipes shall not be installed.

Exception: Where subject to freezing and in accordance with NFPA 14. Additionally, manual dry standpipe systems shall be supervised with a minimum of 10 psig and a maximum of 40 psig air pressure with a high/low Supervisory alarm.

(48) Section 905.9; add a second paragraph after the exceptions to read as follows:

[F] Sprinkler and standpipe system water-flow detectors shall be provided for each floor tap to the sprinkler system and shall cause an alarm upon detection of water flow for more than 45 seconds. All control valves in the sprinkler and standpipe systems except for fire department hose connection valves shall be electrically supervised to initiate a supervisory signal at the central station upon tampering.

(49) Section 906.1(1); delete Exception #3 as follows:

~~3. In storage areas of Group S occupancies where forklift, powered industrial truck or powered cart operators are the primary occupants, fixed extinguishers, as specified in NFPA 10, shall not be required where in accordance with all of the following:~~

~~3.1. Use of vehicle mounted extinguishers shall be approved by the fire code official.~~

~~3.2. Each vehicle shall be equipped with a 10 pound, 40A:80B:C extinguisher affixed to the vehicle using a mounting bracket approved by the extinguisher manufacturer or the fire code official for vehicular use.~~

~~3.3. Not less than two spare extinguishers of equal or greater rating shall be available on-site to replace a discharged extinguisher.~~

~~3.4. Vehicle operators shall be trained in the proper operation, use and inspection of extinguishers.~~

~~3.5. Inspections of vehicle mounted extinguishers shall be performed daily.~~

(50) Section 907.1; add Section 907.1.4 to read as follows:

[F] 907.1.4 Design standards. Where a new fire alarm system is installed, the devices shall be addressable. Fire alarm systems utilizing more than 20 smoke detectors shall have analog initiating devices.

(51) Section 907.2.1; amend to read as follows:

[F] 907.2.1 Group A. A manual fire alarm system that activates the occupant notification system in accordance with Section 907.5 shall be installed in Group A occupancies ~~where the~~ having an occupant load due to the assembly occupancy is of 300 or more persons or more than 100 persons above or below the lowest level of exit discharge. Group A occupancies not separated from one another in accordance with Section 707.3-10 of the *International Building Code* shall be considered as a single occupancy for the purposes of applying this section. Portions of Group E occupancies occupied for assembly purposes shall be provided with a fire alarm system as required for the Group E occupancy.

Exception: {No change.}

Activation of fire alarm notification appliances shall:

1. Cause illumination of the means of egress with light of not less than 1 foot-candle (11 lux) at the walking surface level, and
2. Stop any conflicting or confusing sounds and visual distractions.

(52) Section 907.2.3; amend to read as follows:

[F] 907.2.3 Group E. A manual fire alarm system that initiates the occupant notification signal utilizing an emergency voice/alarm communication system meeting the requirements of Section 907.5.2.2 and installed in accordance with Section 907.6 shall be installed in Group E educational occupancies. When *automatic sprinkler systems* or smoke detectors are installed, such systems or detectors shall be connected to the building fire alarm system. An approved smoke detection system shall be installed in Group E day care occupancies. Unless separated by a minimum of 100' open space, all buildings, whether portable buildings or the main building, will be considered one building for alarm occupant load consideration and interconnection of alarm systems.

Exceptions:

1. {No change.}

1.1. Residential In-Home day care with not more than 12 children may use interconnected single station detectors in all habitable rooms. (For care of more than five children 2 1/2 or less years of age, see Section 907.2.6.)

{No change to remainder of exceptions.}

(53) Section 907.2.10; change to read as follows:

907.2.10 Group S. A manual fire alarm system that activates the occupant notification system in accordance with Section 907.5 shall be installed in Group S public- and self-storage occupancies ~~three stories or greater in height~~ for interior corridors and interior common areas. Visible notification appliances are not required within storage units.

Exception: {No change.}

(54) Section 907.2.13, Exception 3; amend to read as follows:

[F] 3. Open air portions of buildings with an occupancy in Group A-5 in accordance with Section 303.1 of the *International Building Code*; however, this exception does not apply to accessory uses including but not limited to sky boxes, restaurants and similarly enclosed areas.

(55) Section 907.4.2; add Section 907.4.2.7 to read as follows:

[F] 907.4.2.7 Type. Manual alarm initiating devices shall be an approved double action type.

(56) **Section 907.6.1; add Section 907.6.1.1 to read as follows:**

[F] 907.6.1.1 Wiring Installation. All fire alarm systems shall be installed in such a manner that a failure of any single initiating device or single open in an initiating circuit conductor will not interfere with the normal operation of other such devices. All signaling line circuits (SLC) shall be installed in such a way that a single open will not interfere with the operation of any addressable devices (Class A). Outgoing and return SLC conductors shall be installed in accordance with NFPA 72 requirements for Class A circuits and shall have a minimum of four feet separation horizontal and one foot vertical between supply and return circuit conductors. The initiating device circuit (IDC) from a signaling line circuit interface device may be wired Class B, provided the distance from the interface device to the initiating device is ten feet or less.

(57) **Section 907.6.3; delete all four Exceptions.**

(58) **Section 907.6.6; – add sentence at end of paragraph to read as follows:**

[F] See 907.6.3 for the required information transmitted to the supervising station.

3. Control wiring and power wiring protected by a listed electrical circuit protective systems with a fire-resistance rating of not less than 2 hours.

[F] 909.22.1.2 Standby power. Mechanical vestibule and stairway and ramp shaft ventilation systems and automatic fire detection systems shall be provided with standby power in accordance with Section 2702 of the Building Code.

[F] 909.22.1.3 Acceptance and testing. Before the mechanical equipment is approved, the system shall be tested in the presence of the fire code official to confirm that the system is operating in compliance with these requirements.

(59) **Section 910.2; amend to read and change Exception 2. and 3. to read as follows:**

910.2 Where required. Smoke and heat vents or a mechanical smoke removal system shall be installed as required by Sections 910.2.1, 910.2.2, and 910.3.2.

[F] 2. Only manual smoke and heat removal shall ~~not~~ be required in areas of buildings equipped with early suppression fast-response (ESFR) sprinklers. Automatic smoke and heat removal is prohibited.

3.Only manual smoke and heat removal shall ~~not~~ be required in areas of buildings equipped with control mode special application sprinklers with a response time index of $50(m^*S)^{1/2}$ or less that are listed to control a fire in stored commodities with 12 or fewer sprinklers. Automatic smoke and heat removal is prohibited.

(60) **Section 910.2; add subsections 910.2.3 with exceptions to read as follows:**

[F] 910.2.3 Group H. Buildings and portions thereof used as a Group H occupancy as follows:
1. In occupancies classified as Group H-2 or H-3, any of which are more than 15,000 square feet (1394 m²) in single floor area.

Exception: Buildings of noncombustible construction containing only noncombustible materials.

2. In areas of buildings in Group H used for storing Class 2, 3, and 4 liquid and solid oxidizers, Class 1 and unclassified detonable organic peroxides, Class 3 and 4 unstable (reactive) materials, or Class 2 or 3 water-reactive materials as required for a high-hazard commodity classification.

Exception: Buildings of noncombustible construction containing only noncombustible materials.

(61) Section 910.4.3.1; amend to read as follows:

[F] 910.4.3.1 Makeup air. Makeup air openings shall be provided within 6 feet (1829 mm) of the floor level. Operation of makeup air openings shall be ~~manual or~~ automatic. The minimum gross area of makeup air inlets shall be 8 square feet per 1,000 cubic feet per minute (0.74 m² per 0.4719 m³/s) of smoke exhaust.

(62) Section 912.2; add Section 912.2.3 to read as follows:

[F] 912.2.3 Hydrant distance. An approved fire hydrant shall be located within 100 feet of the fire department connection as the fire hose lays along an unobstructed path.

(63) Section 913.2.1; add Section 913.2.1.1 and exception to read as follows:

[F] 913.2.1.1 Fire Pump Room Access. When located on the ground level at an exterior wall, the fire pump room shall be provided with an exterior fire department access door that is not less than 3 ft. in width and 6 ft. – 8 in. in height, regardless of any interior doors that are provided. A key box shall be provided at this door, as required by Section 506.1.

Exception: When it is necessary to locate the fire pump room on other levels or not at an exterior wall, the corridor leading to the fire pump room access from the exterior of the building shall be provided with equivalent fire resistance as that required for the pump room, or as approved by the fire code official. Access keys shall be provided in the key box as required by Section 506.1.

(64) Section 1006.2.1; change exception 3 to read as follows;

Section 1006.2.1 Egress based on occupant load and common path of egress travel distance.

3. Unoccupied rooftop mechanical rooms and penthouses are not required to comply with the common path of egress travel distance measurement.1006.2.2.6 Electrical Rooms

(65) Section 1009.1; add the following Exception 3:

Exceptions:

{previous exceptions unchanged}

3. Buildings regulated under State Law and built in accordance with State registered plans, including any variances or waivers granted by the State, shall be deemed to be in compliance with the requirements of Section 1009 and Chapter 11.

(66) Section 1009.8 Two Way Communication; add the following Exception 7:

Exceptions:

7. Buildings regulated under State Law and built in accordance with State registered plans, including variances or waivers granted by the State, shall be deemed to be in compliance with the requirements of Section 1009 and Chapter 11.

(67) Section 1010.2.5 Bolt Locks; amend exceptions 3 and 4 as follows:

Exceptions:

3. Where a pair of doors serves an *occupant load* of less than 50 persons in a Group B, F, M or S occupancy. {*Remainder unchanged*}
4. Where a pair of doors serves a Group A, B, F, M or S occupancy {*Remainder unchanged*}

(68) Section 1015.8 Window Openings. REVISE text as follows:

1. Operable windows where the top of the sill of the opening is located more than ~~75 feet (22 860 mm)~~ 55 feet (16 764 mm) above the finished grade or other surface below and that are provided with window fall prevention devices that comply with ASTM F 2006.

(69) Section 1020.2 Construction; add exception 6 to read as follows:

6. In group B occupancies, corridor walls and ceilings need not be of fire-resistive construction within a single tenant space when the space is equipped with approved automatic smoke-detection within the corridor. The actuation of any detector shall activate self-annunciating alarms audible in all areas within the corridor. Smoke detectors shall be connected to an approved automatic fire alarm system where such system is provided.

(70) Section 1030.1.1.1 Delete this section. Spaces under grandstands and bleachers;

(71) Section 1101.1 Scope. add exception to Section 1101.1 as follows:

Exception: Components of projects regulated by and registered with Architectural Barriers Division of Texas Department of Licensing and Regulation shall be deemed to be in compliance with the requirements of this chapter.

(72) Section 1809.5.1 Frost Protection at required exits; delete this section

(73) Section 2702.5; added to read as follows:

Section 2702.5 Designated Critical Operations Areas (DCOA): In areas within a facility or site requiring continuous operation for the purpose of public safety, emergency management, national security or business continuity, the power systems shall comply with NFPA 70 Article 708.

(74) Section 2901.1; add a sentence to read as follows:

[P] 2901.1 Scope. {existing text to remain} The provisions of this Chapter are meant to work in coordination with the provisions of Chapter 4 of the International Plumbing Code. Should any conflicts arise between the two chapters, the Building Official shall determine which provision applies.

(75) Section 2902.1; add a second paragraph to read as follows:

In other than E Occupancies, the minimum number of fixtures in Table 2902.1 may be lowered, if requested in writing, by the applicant stating reasons for a reduced number and approved by the Building Official.

(76) Table 2902.1; add footnote g to read as follows:

f. Drinking fountains are not required in M Occupancies with an occupant load of 100 or less, B Occupancies with an occupant load of 25 or less, and for dining and/or drinking establishments.

(77) **Section 2902.1.3; add new Sections 2902.1.4, 2902.1.4.1 and 2902.1.4.2 to read as follows:**

2902.1.4 Additional fixtures for food preparation facilities. In addition to the fixtures required in this Chapter, all food service facilities shall be provided with additional fixtures set out in this section.

2902.1.4.1 Hand washing lavatory. At least one hand washing lavatory shall be provided for use by employees that is accessible from food preparation, food dispensing and ware washing areas. Additional hand washing lavatories may be required based on convenience of use by employees.

2902.1.4.2 Service sink. In new or remodeled food service establishments, at least one service sink or one floor sink shall be provided so that it is conveniently located for the cleaning of mops or similar wet floor cleaning tool and for the disposal of mop water and similar liquid waste. The location of the service sink(s) and/or mop sink(s) shall be approved by the **City of Burleson's** health department.

(78) **Section 3002.1 Hoistway Enclosure Protection; add exceptions to read as follows:**
Exceptions:

1. Elevators wholly located within atriums shall not require hoistway enclosure protection.
2. Elevators in open or enclosed parking garages that serve only the parking garage, and complying with Sections 406.5 and 406.6, respectively, shall not require hoistway enclosure protection.

(79) **Section 3005.4 Machine rooms, control rooms, machinery spaces and control spaces; Delete exceptions and add two new exceptions to as follows:**

Exceptions:

1. Elevator machine rooms, control rooms, machinery spaces and control spaces completely located within atriums shall not require enclosure protection.
2. Elevator machine rooms, control rooms, machinery spaces and control spaces in open or enclosed parking garages that serve only the parking garage, shall not require enclosure protection.

(80) **Section 3005.5: Add a new subsection to Section 3005.5.1 as follows:**

3005.5.1 Fire Protection in Machine rooms, control rooms, machinery spaces and control spaces.

3005.5.1.1 Automatic sprinkler system. The building shall be equipped throughout with an automatic sprinkler system in accordance with Section 903.3.1.1, except as otherwise permitted by Section 903.3.1.1.1 and as prohibited by Section 3005.5.1.1.1.

3005.5.1.1.1 Prohibited locations. Automatic sprinklers shall not be installed in machine rooms, elevator machinery spaces, control rooms, control spaces and elevator hoistways.

3005.5.1.1.2 Sprinkler system monitoring. The sprinkler system shall have a sprinkler control valve supervisory switch and water-flow initiating device provided for each floor that is monitored by the building's fire alarm system.

3005.5.1.2 Water protection. An approved method to prevent water from infiltrating into the hoistway enclosure from the operation of the automatic sprinkler system outside the elevator lobby shall be provided.

3005.5.1.3 Omission of Shunt trip. Means for elevator shutdown in accordance with Section 3005.5 shall not be installed.

(81) **Section 3005.8; add Section 3005.8 as follows:**

3005.8 Storage. Storage shall not be allowed within the elevator machine room, control room, machinery spaces and or control spaces. Provide approved signage at each entry to the above listed locations stating: "No Storage Allowed.

(82) **Section 3006.2; amend Section 3006.2 to read as follows:**

3006.2 Hoistway opening protection required.

5. The building is a high rise and the elevator hoistway is more than 75 feet (22 860 mm) 55 feet (16 764 mm) in height. The height of the hoistway shall be measured from the lowest floor at or above grade to the highest floors served by the hoistway.

(83) **Section 3007.3 and Section 3008.3: Revise text by deleting “enclosed” as follows:**

3007.3 Water Protection. Water from the operation of an automatic sprinkler system outside the enclosed lobby shall be prevent from infiltrating into the hoistway enclosure in accordance with an approved method.

3008.3 Water Protection. Water from the operation of an automatic sprinkler system outside the enclosed lobby shall be prevent from infiltrating into the hoistway enclosure in accordance with an approved method.”

SECTION 2.

Article IV, “International Residential Code,” of Chapter 10, “Buildings and Regulations,” of the Code of Ordinances, City of Burleson, Texas is hereby amended to read as follows:

“ARTICLE IV. - INTERNATIONAL RESIDENTIAL CODE

Sec. 10-171. – Proposed Adoption.

The 2021 edition, of the International Residential Code of the International Code Council, is herein after amended, is from the effective date hereof, hereby adopted as the residential code of the City of Burleson. One copy of such International Residential Code is incorporated herein by reference and shall have been filed for permanent record and inspection in the office of the city secretary.

Sec. 10-172. - Amendments.

Amendments to the International Residential Code adopted herein are as follows:

(1) **Section R102.4; amend to read as follows:**

R102.4 Referenced codes and standards. The *codes*, when specifically adopted, and standards referenced in this *code* shall be considered part of the requirements of this *code* to the prescribed extent of each such reference and as further regulated in Sections R102.4.1 and R102.4.2. Whenever amendments have been adopted to the referenced *codes* and standards, each reference to said *code* and standard shall be considered to reference the amendments as well. Any reference made to NFPA 70 or the *Electrical Code* shall mean the *Electrical Code* as adopted.

(2) **Section R103 and R103.1 amend to insert the Department Name**

R103.1 Creation of enforcement agency. The Building Permits and Inspections Department is hereby created and the official in charge thereof shall be known as the building official.

(3) **Section R105.2; amend to read as follows**

R105.2 Work exempt from permit.

Building: Delete items #1, #2, and 9

Amend #5 – Sidewalks and driveways outside of the public right-of-way

(4) **Section R108 Fees; add Section R108.7 Re-Inspection Fee**

R108.7 Re-Inspection Fee. A fee established by city council resolution may be charged when:

- 1) The inspection called for is not ready when the inspector arrives;
- 2) The building address is not clearly posted;
- 3) The building is locked or work otherwise is not accessible for inspection;
- 4) Work is given a correction notice for the same item twice or more;
- 5) Violations exist on the property including failure to maintain erosion control or trash control

(5) **Delete Sections R110 (R110.1 through R110.5)**

(6) **Delete Section 112 Board of Appeals**

(7) **Section R202; amend definition of "Townhouse" to read as follows:**

TOWNHOUSE. A single-family dwelling unit constructed in a group of three or more attached units separated by property lines in which each unit extends from foundation to roof and with a *yard or public way* on at least two sides.

GROUND SNOW LOAD	WIND DESIGN				SEISMIC DESIGN CATEGORY ^f	SUBJECT TO DAMAGE FROM			WINTER DESIGN	ICE BARRIER	FLOOD HAZARDS ^g	AIR FREEZING INDEX ⁱ	MEAN ANNUAL TEMP ^j
	SPEED ^d (MPH)	Topographic Effects ^k	Special Wind Region ^l	Windborne Debris Zone ^m		Weathering ^a	Frost Line Depth ^b	Termite ^c					
5 lb/ft	115 (3 sec-gust)/76	No	No	No	A	Moderate	6"	Very Heavy	22 ^o F	No	Local Code	150	64.9 ^o F

fastest mile													
-----------------	--	--	--	--	--	--	--	--	--	--	--	--	--

(8) **Table R301.2 (1); fill in as follows:**

(9) **Section R302.1; add exception #6 to read as follows:**

Exceptions: *{previous exceptions unchanged}*

6. Open non-combustible carport structures may be constructed when also approved within adopted ordinances.

(10) **Section R302.2.6; delete exception #6:**

Exceptions: *{previous exceptions unchanged}*

6. Townhouse units protected by a fire sprinkler system complying with Section P2904 or NFPA 13D.

(11) **Section R302.3; add Exception #3 to read as follows:**

Exceptions:

1. *{existing text unchanged}*

2. *{existing text unchanged}*

3. Two-family dwelling units that are separated by a property line through the structure shall be separated as required for townhouses.

(12) **Section R302.5.1; amend to read as follows:**

R302.5.1 Opening protection. Openings from a private garage directly into a room used for sleeping purposes shall not be permitted. Other openings between the garage and residence shall be equipped with solid wood doors not less than 13/8 inches (35 mm) in thickness, solid or honeycomb core steel doors not less than 13/8 inches (35 mm) thick, or 20-minute fire-rated doors equipped with a self-closing device.

(13) **Section R302.5.2 Duct Penetration; amend to read as follows:**

Ducts in the garage and ducts *{text unchanged}* shall have no openings in the garage, and shall be protected per section 302.11 item 4.

(14) **Section R303.3, Exception; amend to read as follows:**

Exception: *{existing text unchanged}* Spaces containing only a water closet or water closet and a lavatory may be ventilated with an approved mechanical recirculating fan or similar device designed to remove odors from the air.

(15) **Section R307; add section R307.3 and R307.4 as follows:**

R307.3 Blocking. Required at one toilet at grade level. Blocking per Sec. R307.4 and Figure 307.4, shall be installed at rear wall and one wall adjacent to toilet at the lowest living level where a toilet is provided.

R307.4 Blocking. Blocking may be 1/2" plywood or equivalent or 2 x solid wood blocking flush with wall.

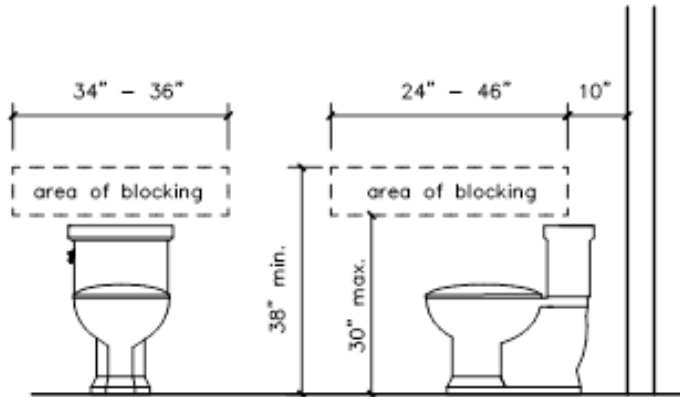


Figure 307.4

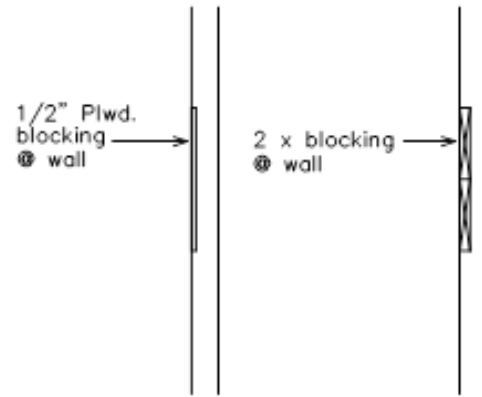


Figure 307.4

(16) **Section R313.2 Automatic Fire Sprinkler Systems. Amend to read as follows;**

R313.2 One- and Two-Family dwellings automatic sprinkler systems. An automatic sprinkler system shall be installed in one- and two-family dwellings in accordance to the adopted Fire Code and the amendments thereto.

(17) **Section R315.2.2 Alterations, repairs and additions; amend to read as follows:**

Exception:

1. [existing text remains]
2. Installation, alteration or repairs of all electrically powered mechanical systems or plumbing appliances.

(18) **Section 327.1.1; add to read as follows:**

Section 327.1.1 Adjacency to Structural Foundation. Depth of the swimming pool and spa shall maintain a ratio of 1:1 from the nearest building foundation or footing of a retaining wall.

Exception:

A sealed engineered design drawing of the proposed new structure shall be submitted for approval

(19) **Section R401.2, amended by adding a new paragraph following the existing paragraph to read as follows.**

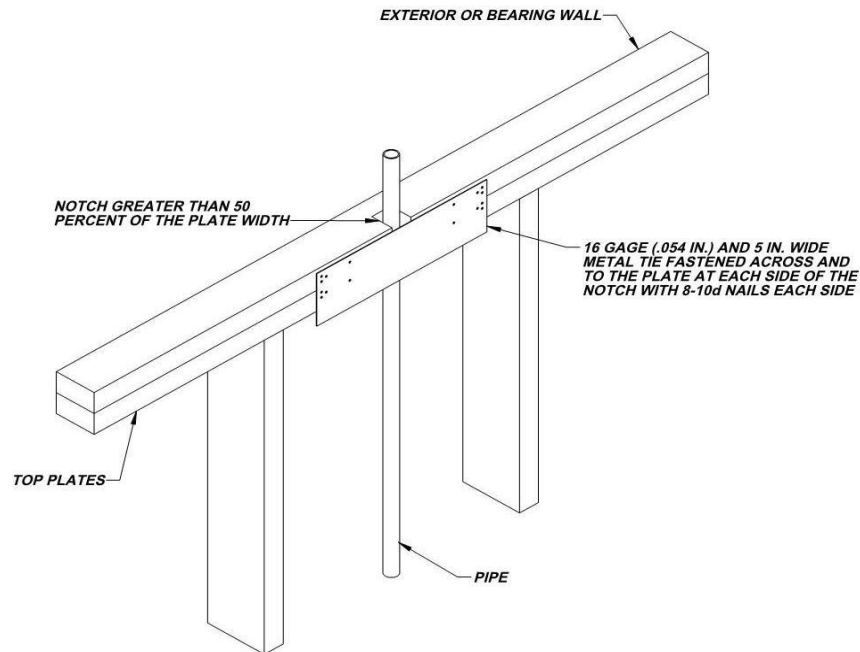
Section R401.2. Requirements. *{existing text unchanged}* ...

Every foundation and/or footing, or any size addition to an existing post-tension foundation, regulated by this code shall be designed and sealed by a Texas-registered engineer.

(20) **Section R602.6.1; amend the following:**

R602.6.1 Drilling and notching of top plate. When piping or ductwork is placed in or partly in an exterior wall or interior load-bearing wall, necessitating cutting, drilling or notching of the top plate by more than 50 percent of its width, a galvanized metal tie not less than 0.054 inch thick (1.37 mm) (16 Ga) and ~~1 1/2 inches (38 mm)~~ 5 inches (127 mm) in height shall be fastened across and to the plate at each side of the opening with not less than eight 10d (0.148 inch diameter) nails having a minimum length of 1 1/2 inches (38 mm) at each side or equivalent. Fasteners will be offset to prevent splitting of the top plate material. The metal tie must extend a minimum of 6 inches past the opening. See figure R602.6.1. *{remainder unchanged}*

(21) **Figure R602.6.1; delete the figure and insert the following figure:**



(22) **Add section R703.8.4.1.2 Veneer Ties for Wall Studs; to read as follows:**

R703.8.4.1.2 Veneer Ties for Wall Studs. In stud framed exterior walls, all ties may be anchored to studs as follows:

1. When studs are 16 in (407 mm) o.c., stud ties shall be spaced no further apart than 24 in (737 mm) vertically starting approximately 12 in (381 mm) from the foundation; or
2. When studs are 24 in (610 mm) o.c., stud ties shall be spaced no further apart than 16 in (483 mm) vertically starting approximately 8 in (254 mm) from the foundation.

(23) **Section R703.8.4.1; add a second paragraph to read as follows:**

In stud framed exterior walls, all ties shall be anchored to studs as follows:

1. When studs are 16 in (407 mm) o.c., stud ties shall be spaced no further apart than 24 in (737 mm) vertically starting approximately 12 in (381 mm) from the foundation; or
2. When studs are 24 in (610 mm) o.c., stud ties shall be spaced no further apart than 16 in (483 mm) vertically starting approximately 8 in (254 mm) from the foundation.

(24) **Section R902.1; Amend and add exception #5 to read as follows:**

R902.1 Roofing covering materials. Roofs shall be covered with materials as set forth in Sections R904 and R905. Class A, B, or C roofing shall be installed ~~in areas designated by law as requiring their use or when the edge of the roof is less than 3 feet from a lot line.~~ *{remainder unchanged}*

Exceptions:

5. Non-classified roof coverings shall be permitted on one-story detached accessory structures used as tool and storage sheds, playhouses and similar uses, provided the floor area does not exceed 100 square feet.

(25) **Chapter 11 [RE] – Energy Efficiency is deleted in its entirety and replaced with the following:**

(26) **Section M1305.1.3; amend to read as follows:**

M1305.1.2 Appliances in attics. Attics containing appliances shall be provided . . . {bulk of paragraph unchanged} . . . side of the appliance. The clear access opening dimensions shall be a minimum of 20 inches by 30 inches (508 mm by 762 mm), and large enough to allow removal of the largest appliance. As a minimum, for access to the attic space, provide one of the following:

1. A permanent stair.
2. A pull down stair with a minimum 300 lb (136 kg) capacity.
3. An access door from an upper floor level.

Exceptions: [remaining text unchanged]

(27) **Section M1411.3; change to read as follows:**

M1411.3 Condensate disposal. Condensate from all cooling coils or evaporators shall be conveyed from the drain pan outlet to an approved place of disposal a sanitary sewer through a trap, by means of a direct or indirect drain. {remaining text unchanged}

(28) **Section M1411.3.1, Items 3 and 4; add text to read as follows:**

M1411.3.1 Auxiliary and secondary drain systems. *{bulk of paragraph unchanged}*

- (3) An auxiliary drain pan... *{bulk of text unchanged}*... with Item 1 of this section. A water level detection device may be installed only with prior approval of the building official.
- (4) A water level detection device... *{bulk of text unchanged}*... overflow rim of such pan. A water level detection device may be installed only with prior approval of the building official.

(29) **Section M1411.3.1.1; add text to read as follows:**

M1411.3.1.1 Water-level monitoring devices. On down-flow units ...*{bulk of text unchanged}*... installed in the drain line. A water level detection device may be installed only with prior approval of the building official.

(30) **M1503.6 Makeup Air Required Amend and add exception as follows:**

M1503.6 Makeup air required. Where one or more gas, liquid or solid fuel-burning appliance that is neither direct-vent nor uses a mechanical draft venting system is located within a dwelling unit's air barrier, each exhaust system capable of exhausting in excess of 400 cubic feet per minute (0.19 m³/s) shall be mechanically or passively provided with makeup air at a rate approximately equal to the difference between exhaust air rate and 400 cubic feet per minute. Such makeup air systems shall be equipped with not fewer than one damper complying with Section M1503.6.2.

Exception: Makeup air is not required for exhaust systems installed for the exclusive purpose of space cooling and intended to be operated only when windows or other air inlets are open. Where all appliances in the house are of sealed combustion, power-vent, unvented, or electric, the exhaust hood system shall be permitted to exhaust up to 600 cubic feet per minute (0.28 m³/s) without providing makeup air. Exhaust hood systems capable of exhausting in excess of 600 cubic feet per minute (0.28 m³/s) shall be provided with a makeup air at a rate approximately to the difference between the exhaust air rate and 600 cubic feet per minute.

(31) **Section M2005.2; change to read as follows:**

M2005.2 Prohibited locations. Fuel-fired water heaters shall not be installed in a room used as a storage closet. Water heaters located in a bedroom or bathroom shall be installed in a sealed enclosure so that *combustion air* will not be taken from the living space. Access to such enclosure may be from the bedroom or bathroom when through a solid door, weather-stripped in accordance with the exterior door air leakage requirements of the *International Energy Conservation Code* and equipped with an *approved* self-closing device. Installation of direct-vent water heaters within an enclosure is not required

(32) **Section G2408.3 (305.5) Private Garages; delete this section in its entirety.**

(33) **Section G2415.2 (404.2) CSST; add a second paragraph to read as follows:**

Both ends of each section of medium pressure gas piping shall identify its operating gas pressure with an *approved* tag. The tags are to be composed of aluminum or stainless steel and the following wording shall be stamped into the tag:

"WARNING: 1/2 to 5 psi gas pressure - Do Not Remove"

(34) **Section G2415.12 (404.12); amend to read as follows:**

G2415.12 (404.12) Minimum burial depth. Underground *piping systems* shall be installed a minimum depth of ~~12 inches (305 mm)~~ 18 inches (457 mm) below grade, ~~except as provided for in Section G2415.12.1.~~

(35) **Section G2415.12.1 (404.12.1); Individual Outdoor Appliances; Delete in its entirety**

(36) **Section G2417.1 (406.1); amend to read as follows:**

G2417.1 (406.1) General. Prior to acceptance and initial operation, all *piping* installations shall be inspected and *pressure tested* to determine that the materials, design, fabrication, and installation practices comply with the requirements of this *code*. The *permit* holder shall make the applicable tests prescribed in Sections 2417.1.1 through 2417.1.5 to determine compliance with the provisions of this *code*. The *permit* holder shall give reasonable advance notice to the *building official* when the *piping system* is ready for testing. The *equipment*, material, power and labor necessary for the inspections and test shall be furnished by the *permit* holder and the *permit* holder shall be responsible for determining that the work will withstand the test pressure prescribed in the following tests.

(37) **Section G2417.4; amend to read as follows:**

G2417.4 (406.4) Test pressure measurement. Test pressure shall be measured with a monometer or with a pressure-measuring device designed and calibrated to read, record, or indicate a pressure loss caused by leakage during the pressure test period. The source of pressure shall be isolated before the pressure tests are made. ~~Mechanical gauges used to measure test pressures shall have a range such that the highest end of the scale is not greater than five times the test pressure.~~

(38) **Section G2417.4.1; amend to read as follows:**

G2417.4.1 (406.4.1) Test pressure. The test pressure to be used shall be no less than 3 psig (20 kPa gauge), or at the discretion of the Code Official, the piping and valves may be tested at a pressure of at least six (6) inches (152 mm) of mercury, measured with a manometer or slope gauge, irrespective of design pressure. Where the test pressure exceeds 125 psig (862 kPa gauge), the test pressure shall not exceed a value that produces a hoop stress in the piping greater than 50 percent of the specified minimum yield strength of the pipe. For tests requiring a pressure of 3 psig, diaphragm gauges shall utilize a dial with a minimum diameter of three and one half inches (3 ½”), a set hand, 1/10 pound incrementation and pressure range not to exceed 6 psi for tests requiring a pressure of 3 psig. For tests requiring a pressure of 10 psig, diaphragm gauges shall utilize a dial with a minimum diameter of three and one-half inches (3 ½”), a set hand, a minimum of 2/10 pound incrementation and a pressure range not to exceed 20 psi. For welded piping, and for piping carrying gas at pressures in excess of fourteen (14) inches water column pressure (3.48 kPa) (1/2 psi) and less than 200 inches of water column pressure (52.2 kPa) (7.5 psi), the test pressure shall not be less than ten (10) pounds per square inch (69.6 kPa). For piping carrying gas at a pressure that exceeds 200 inches of water column (52.2 kPa) (7.5 psi), the test pressure shall be not less than one and one-half times the proposed maximum working pressure.

Diaphragm gauges used for testing must display a current calibration and be in good working condition. The appropriate test must be applied to the diaphragm gauge used for testing

(39) **Section G2417.4.2; amend to read as follows:**

G2417.4.2 (406.4.2) Test duration. The test duration shall be held for a length of time satisfactory to the Building Official, but in no case for be not less than 10-fifteen (15) minutes. For welded piping, and for piping carrying gas at pressures in excess of fourteen (14) inches water column pressure (3.48 kPa), the test duration shall be held for a length of time satisfactory to the Building Official, but in no case for less than thirty (30) minutes.

(40) **Section G2420.1 (406.1); add Section G2420.1.4 to read as follows:**

G2420.1.4 Valves in CSST installations. Shutoff valves installed with corrugated stainless steel (CSST) piping systems shall be supported with an approved termination fitting, or equivalent support, suitable for the size of the valves, of adequate strength and quality, and located at intervals so as to prevent or damp out excessive vibration but in no case greater than 12-inches from the center of the valve. Supports shall be installed so as not to interfere with the free expansion and contraction of the system's piping, fittings, and valves between anchors. All valves and supports shall be designed and installed so they will not be disengaged by movement of the supporting piping.

(41) **Section G2420.5.1 (409.5.1); add text to read as follows:**

G2420.5.1 (409.5.1) Located within the same room. The shutoff valve ...*{bulk of paragraph unchanged}*... in accordance with the appliance manufacturer's instructions. A secondary shutoff

valve must be installed within 3 feet (914 mm) of the firebox if appliance shutoff is located in the firebox.

(42) **Section G2421.1 (410.1); add text and Exception to read as follows:**

G2421.1 (410.1) Pressure regulators. A line *pressure regulator* shall be ... *{bulk of paragraph unchanged}*... *approved* for outdoor installation. Access to regulators shall comply with the requirements for access to appliances as specified in Section M1305.

Exception: A passageway or level service space is not required when the regulator is capable of being serviced and removed through the required attic opening.

(43) **Section G2422.1.2.3 (411.1.3.3); delete Exception 1 and Exception 4.**

(44) **Section G2445.2 (621.2); add Exception to read as follows:**

G2445.2 (621.2) Prohibited use. One or more *unvented room heaters* shall not be used as the sole source of comfort heating in a *dwelling unit*.

Exception: Existing approved unvented room heaters may continue to be used in dwelling units, in accordance with the code provisions in effect when installed, when approved by the Building Official unless an unsafe condition is determined to exist as described in International Fuel Gas Code Section 108.7 of the Fuel Gas Code.

(45) **Section G2448.1.1 (624.1.1); amend to read as follows:**

G2448.1.1 (624.1.1) Installation requirements. The requirements for *water heaters* relative to access, sizing, *relief valves*, drain pans and scald protection shall be in accordance with this *code*.

(46) **Section P2603; amend to read as follows:**

P2603.3 Protection against corrosion. Metallic piping, except for cast iron, ductile iron and galvanized steel, shall not be placed in direct contact with steel framing members, concrete or cinder walls and floors or other masonry. Metallic piping shall not be placed in direct contact with corrosive soil. Where sheathing is used to prevent direct contact, the sheathing shall have a thickness of not less than 0.008 inch (8 mil) (0.203 mm) and the sheathing shall be made of approved material ~~plastic~~. Where sheathing protects piping that penetrates concrete or masonry walls or floors, the sheathing shall be installed in a manner that allows movement of the piping within the sheathing.

(47) **Section P2603.5.1; amend to read as follows:**

Section P2603.5.1 Sewer Depth. Building sewers that connect to private sewage disposal systems shall be not less than 12 inches below finished grade at the point of septic tank connection. Building sewers shall be not less than 12 inches below grade.

(48) **Section P2801; change to read as follows:**

P2801.6 Required pan.

Where a storage tank-type water heater or a hot water storage tank is installed in a location where water leakage from the tank will cause damage, the tank shall be installed in a pan constructed of one of the following:

1. Galvanized steel or aluminum of not less than 0.0236 inch (0.6010 mm) in thickness.
2. Plastic not less than 0.036 inch (0.9 mm) in thickness.

3. Other approved materials.

~~A plastic pan beneath a gas-fired water heater shall be constructed of material having a flame spread index of 25 or less and a smoke developed index of 450 or less when tested in accordance with ASTM E84 or UL 723.~~

(49) **Section P2801.6.1; change to read as follows:**

Section P2801.6.1 Pan size and drain. The pan shall be not less than 1 1/2 inches (38 mm) in depth and shall be of sufficient size and shape to receive all dripping or condensate from the tank or water heater. The pan shall be drained by an indirect waste pipe having a diameter of not less than 3/4 inch (19 mm). Piping for safety pan drains shall be of those materials listed in Table P2906.5. Multiple pan drains may terminate to a single discharge piping system when approved by the administrative authority and permitted by the manufactures installation instructions and installed with those instructions.

(50) **Section P2804.6.1; change to read as follows:**

Section P2804.6.1 Requirements for discharge piping. The discharge piping serving a pressure relief valve, temperature relief valve or combination thereof shall:

1. Not be directly connected to the drainage system.
2. Discharge through an air gap ~~located in the same room as the water heater.~~
3. Not be smaller than the diameter of the outlet of the valve served and shall discharge full size to the air gap.
4. Serve a single relief device and shall not connect to piping serving any other relief device or equipment.

Exception: Multiple relief devices may be installed to a single T & P discharge piping system when approved by the administrative authority and permitted by the manufactures installation instructions and installed with those instructions.

5. Discharge ~~to the floor,~~ to an indirect waste receptor or to the outdoors.
6. Discharge in a manner that does not cause personal injury or structural damage.
7. Discharge to a termination point that is readily observable by the building occupants.
8. Not be trapped.
9. Be installed to flow by gravity.
10. Terminate not more than 6 inches and not less than two time the discharge pipe diameter above the ~~floor or~~ waste receptor flood level rim.
11. Not have a threaded connection at the end of the piping.
12. Not have valves or tee fittings.
13. Be constructed of those materials indicated in Section P2906.5 or materials tested, rated and approved for such use in accordance with ASME A112.4.1
14. Be one nominal size larger than the size of the relief-valve outlet, where the relief-valve discharge piping is constructed of PEX or PE-RT tubing. The outlet end of such tubing shall be fastened in place.

(51) **Section P2902.5.3; amend to read as follows:**

P2902.5.3 Lawn irrigation systems. The potable water supply to lawn irrigation systems shall be protected against backflow by an atmospheric-type vacuum breaker, a pressure-type vacuum breaker, a double-check assembly or a reduced pressure principle backflow preventer. A valve shall not be installed downstream from an atmospheric vacuum breaker. Where chemicals are introduced

into the system, the potable water supply shall be protected against backflow by a reduced pressure principle backflow preventer.

(52) Section P3003.9.2; delete exception:

P3003.9. Solvent cementing. Joint surfaces shall be clean and free from moisture. A purple primer that conforms to ASTM F 656 shall be applied. Solvent cement not purple in color and conforming to ASTM D 2564, CSA B137.3, CSA B181.2 or CSA B182.1 shall be applied to all joint surfaces. The joint shall be made while the cement is wet and shall be in accordance with ASTM D 2855. Solvent cement joints shall be permitted above or below ground.

~~Exception: A primer is not required where both of the following conditions apply:~~

- ~~1. The solvent cement used is third-party certified as conforming to ASTM D 2564~~
- ~~2. The solvent cement is used only for joining PVC drain, waste, and vent pipe and fittings in not pressure applications in sizes up to and including 4 inches (102mm) in diameter.~~

(53) Section P3111; delete.

(54) Section P3112.2; delete and replace with the following:

P3112.2 Installation. Traps for island sinks and similar equipment shall be roughed in above the floor and may be vented by extending the vent as high as possible, but not less than the drainboard height and then returning it downward and connecting it to the horizontal sink drain immediately downstream from the vertical fixture drain. The return vent shall be connected to the horizontal drain through a wye-branch fitting and shall, in addition, be provided with a foot vent taken off the vertical fixture vent by means of a wye-branch immediately below the floor and extending to the nearest partition and then through the roof to the open air or may be connected to other vents at a point not less than six (6) inches (152 mm) above the flood level rim of the fixtures served. Drainage fittings shall be used on all parts of the vent below the floor level and a minimum slope of one-quarter (1/4) inch per foot (20.9 mm/m) back to the drain shall be maintained. The return bend used under the drain-board shall be a one (1) piece fitting or an assembly of a forty-five (45) degree (0.79 radius), a ninety (90) degree (1.6 radius) and a forty-five (45) degree (0.79 radius) elbow in the order named. Pipe sizing shall be as elsewhere required in this Code. The island sink drain, upstream of the return vent, shall serve no other fixtures. An accessible cleanout shall be installed in the vertical portion of the foot vent.

(13) Part VIII — Electrical (Chapters 34 through 43) is hereby amended as follows:

(delete), code reference shall be according to 2020 edition of National Electrical Code as adopted.”

SECTION 3.

Article V, “National Electric Code,” of Chapter 10, “Buildings and Regulations,” of the Code of Ordinances, City of Burleson, Texas is hereby amended to read as follows:

“ARTICLE V. - NATIONAL ELECTRIC CODE

Sec. 10-201. – Proposed Adoption.

The 2020 edition of the National Electric Code of the National Fire Protection Association, as hereinafter amended, is from the effective date hereof, hereby adopted as the electrical code of the City of Burleson. One copy of such National Electric Code is incorporated herein by reference and shall have been filed for permanent record and inspection in the office of the city secretary.

Sec. 10-202. - Amendments.

Amendments to the National Electrical Code adopted herein are as follows:

(1) Article 100; add the following to definition:

Engineering Supervision. Supervision by a Qualified State of Texas Licensed Professional Engineer engaged primarily in the design or maintenance of electrical installations.

(2) Article 110.2; change the following to read as follows:

110.2 Approval. The conductors and equipment required or permitted by this *Code* shall be acceptable only if approved. Approval of equipment may be evident by listing and labeling of equipment by a Nationally Recognized Testing Lab (NRTL) with a certification mark of that laboratory or a qualified third party inspection agency approved by the AHJ.

Exception: Unlisted equipment that is relocated to another location within a jurisdiction or is field modified is subject to the approval by the AHJ. This approval may be by a field evaluation by a NRTL or qualified third party inspection agency approved by the AHJ.

~~Manufacturer's self-certification of any equipment shall not be used as a basis for approval by the AHJ.~~

Informational Note No. 1: See 90.7, Examination of Equipment for Safety, and 110.3, Examination, Identification, Installation, and Use of Equipment. See definitions of *Approved*, *Identified*, *Labeled*, and *Listed*.

Informational Note No. 2: Manufacturer's self-certification of equipment may not necessarily comply with U.S. product safety standards as certified by an NRTL.

Informational Note No. 3: National Fire Protection Association (NFPA) 790 and 791 provide an example of an approved method for qualifying a third party inspection agency.

(3) Article 400.8 Field Identification Required: Amend the following to read as follows

408.4 Field Identification Required.

(A) Circuit Directory or Circuit Identification.

Every circuit and circuit modification shall be legibly identified as to its clear, evident, and specific purpose or use. The identification shall include an approved degree of detail that allows each circuit to be distinguished from all others. Spare positions that contain unused overcurrent devices or switches shall be described accordingly. The identification shall be included in a circuit directory that is located on the face or inside of, or in an approved location adjacent and permanently affixed to the panel door in the case of a panelboard and at each switch or circuit breaker in a switchboard or

switchgear. No circuit shall be described in a manner that depends on transient conditions of occupancy.

(4) **Article 410.118: Amend the following to read as follows**

410.118 Access to other boxes.

Luminaires recessed in the ceilings, floors, or walls shall not be used to access outlet, pull, or junction boxes or conduit bodies, unless the box or conduit body is an integral part of the listed luminaire.

Exception: removable luminaires with a minimum measurement of 22 in. X 22 in. shall be permitted to be used as access to outlet, pull, junction boxes or conduit bodies.

(5) **Article 422.31 B: Amend the following to read as follows**

422.31 B Appliances Rated over 300 Volt-Amperes

(B) Appliances Rated over 300 Volt-Amperes. For permanently connected appliances rated over 300 volt-amperes, the branch-circuit switch or circuit breaker shall be permitted to serve as the disconnecting means where the switch or circuit breaker is within sight from and is readily accessible to the appliance it serves or is capable of being locked in the open position in accordance with 110.25 and is readily accessible to the appliance it serves.

Informational Note No. 1: For appliances employing unit switches, see 422.34.

Informational Note No 2: The following means of access are considered to constitute readily accessible for this code change when conforming to the additional access requirements of the I Codes:

- (1) A permanent stair.
- (2) A pull-down stair with a minimum 300 lb. (136 kg) capacity.
- (3) An access door from an upper floor level.

(6) **Article 500.8 (A) (3); AMEND to read as follows:**

500.8 Equipment.

Articles 500 through 504 require equipment construction and installation that ensure safe performance under conditions of proper use and maintenance.

Informational Note No. 1: It is important that inspection authorities and users exercise more than ordinary care with regard to installation and maintenance.

Informational Note No. 2: Since there is no consistent relationship between explosion properties and ignition temperature, the two are independent requirements.

Informational Note No. 3: Low ambient conditions require special consideration. Explosion proof or dust-ignition proof equipment may not be suitable for use at temperatures lower than -25°C (-13°F) unless they are identified for low-temperature service. However, at low ambient temperatures, flammable concentrations of vapors may not exist in a location classified as Class I, Division 1 at normal ambient temperature.

(A) **Suitability.** Suitability of identified equipment shall be determined by one of the following:

- (1) Equipment listing or labeling;
- (2) Evidence of equipment evaluation from a qualified testing laboratory or inspection agency concerned with product evaluation; or,
- (3) Evidence acceptable to the authority having jurisdiction such as a manufacturer's self-evaluation ~~or an owner's engineering judgment~~ an engineering judgment signed and sealed by a qualified ~~Registered~~ licensed Professional Engineer in the State of Texas.

Informational Note: Additional documentation for equipment may include certificates demonstrating compliance with applicable equipment standards, indicating special conditions of use, and other pertinent information.

(7) Article 505.7 (A) changed to read as follows:

505.7 Special Precaution.

Article 505 requires equipment construction and installation that ensures safe performance under conditions of proper use and maintenance.

Informational Note No. 1: It is important that inspection authorities and users exercise more than ordinary care with regard to the installation and maintenance of electrical equipment in hazardous (classified) locations.

Informational Note No. 2: Low ambient conditions require special consideration. Electrical equipment depending on the protection techniques described by 505.8(A) may not be suitable for use at temperatures lower than -20°C (-4°F) unless they are identified for use at lower temperatures. However, at low ambient temperatures, flammable concentrations of vapors may not exist in a location classified Class I, Zones 0, 1, or 2 at normal ambient temperature.

(A) Implementation of Zone Classification System. Classification of areas, engineering and design, selection of equipment and wiring methods, installation, and inspection shall be performed by a qualified ~~persons Registered~~ licensed Professional Engineer in the State of Texas.

(8) Article 695.6 A 1: Change the following to read as follows

695.6 (A) Supply Conductors.

(1) Services and On-Site Power Production Facilities.

Service conductors and conductors supplied by on-site power production facilities shall be physically routed outside a building(s) and shall be installed as service-entrance conductors in accordance with 230.6, 230.9, and Parts III and IV of Article 230. Where supply conductors cannot be physically routed outside of buildings, the conductors shall be permitted to be routed through the building(s) where installed in accordance with

230.6(1) or (2).

~~Exception: The supply conductors within the fire pump room shall not be required to meet 230.6 (1) or (2)~~

(9) Article 71.15 A: Change the following to read as follows

710.15 General

710.15(A) Supply Output.

Power supply to premises wiring systems fed by stand-alone or isolated microgrid power sources shall be permitted to have less capacity than the calculated load. The capacity of the sum of all sources of the stand-alone supply shall be equal to or greater than the load posed by the largest single utilization equipment connected to the system. Calculated general lighting loads shall not be considered as a single load have adequate capacity to meet the calculated load in accordance with Article 220.

Informational Note: For general use loads the system capacity can be calculated using the sum of the capacity of the firm sources, such as generators and ESS inverters. For specialty loads intended to be powered directly from a variable source, the capacity can be calculated using the sum of the variable sources, such as PV or wind inverters, or the combined capacity of both firm and variable sources.”

SECTION 4.

Article VI, “International Plumbing Code,” of Chapter 10, “Buildings and Regulations,” of the Code of Ordinances, City of Burleson, Texas is hereby amended to read follows:

“ARTICLE VI. – INTERNATIONAL PLUMBING CODE

Sec. 10-231. – Proposed Adoption.

The 2021 edition, of the International Plumbing Code of the International Code Council, as hereinafter amended, is from the effective date hereof, hereby adopted as the plumbing code of the City of Burleson. One copy of such International Plumbing Code is incorporated herein by reference and shall have been filed for permanent record and inspection in the office of the city secretary.

Sec. 10-232. – Amendments.

Amendments to the International Plumbing Code adopted herein are as follows:

- (1) **Table of Contents, Chapter 7, Section 713; amend to read as follows:**
713 Engineered Computerized Drainage Design 69-7-12

- (2) **Section 102.8; amend to read as follows:**
102.8 Referenced code and standards. The codes and standards referenced in this code shall be those that are listed in Chapter 15 and such codes, when specifically adopted, and standards shall be considered as part of the requirements of this code to the prescribed extend of each such reference. Where the differences occur between provisions of this code and the referenced standards, the provisions of this code shall be the minimum requirements. Whenever amendments have been adopted to the referenced codes and standards, each reference to said code and standard shall be considered to reference the adopted amendments. Any reference to NFPA 70 or the National Electric Code (NEC) shall mean the Electrical Code as adopted.

- (3) **Section 109.2 and 109.3; amend to read as follows:**

106.6.2 Fee schedule. The fees for all plumbing work shall be as ~~indicated in the following schedule:~~ (JURISDICTION TO INSERT APPROPRIATE SCHEDULE) adopted by resolution of the governing body of the jurisdiction.

106.6.3 Fee Refunds. The code official shall establish a policy for ~~authorize~~ authorizing the refunding of fees ~~as follows.~~ {Delete balance of section}

(4) **Section 114; delete entire section and insert the following:**

SECTION 114
MEANS OF APPEAL

109.1 Application for appeal. Any person shall have the right to appeal a decision of the code official to the board of appeals established by ordinance. The board shall be governed by the enabling ordinance.

(5) **Section 305; amend to read as follows:**

305.1 Protection against contact. Metallic piping, except for cast iron, ductile iron and galvanized steel, shall not be placed in direct contact with steel framing members, concrete or cinder walls and floors or other masonry. Metallic piping shall not be placed in direct contact with corrosive soil. Where sheathing is used to prevent direct contact, the sheathing shall have a thickness of not less than 0.008 inch (8 mil) (0.203 mm) and the sheathing shall be made of approved material ~~plastic~~. Where sheathing protects piping that penetrates concrete or masonry walls or floors, the sheathing shall be installed in a manner that allows movement of the piping within the sheathing.

(6) **Section 305.4.1; amend to read as follows:**

305.4.1 Sewer depth. ~~Building sewers that connect to private sewage disposal systems shall be a minimum of [number] inches (mm) below finished grade at the point of septic tank connection.~~ Building sewers shall be a minimum of 12 inches (304 mm) below grade.

(7) **Section 306.2.4; added to read as follows:**

306.2.4 Plastic sewer and DWV piping installation. Plastic sewer and DWV piping installed underground shall be installed in accordance with the manufacturer's installation instructions. Trench width shall be controlled to not exceed the outside the pipe diameter plus 16 inches or in a trench which has a controlled width equal to the nominal diameter of the diameter of the piping multiplied by 1.25 plus 12 inches. The piping shall be bedded in 4 inches of granular fill and then backfilled compacting the side fill in 6-inch layers on each side of the piping. The compaction shall be to minimum of 85 percent standard proctor density and extend to a minimum of 6 inches above the top of the pipe.

(8) **Section 314.2.1; amend to read as follows:**

314.2.1 Condensate disposal. Condensate from all cooling coils and evaporators shall be conveyed from the drain pan outlet to an *approved* place of disposal . . . {text unchanged} . . . Condensate shall not discharge into a street, alley, sidewalk, rooftop, or other areas so as to cause a nuisance.

(9) **Section 314.2.2; amend to read as follows:**

314.2.2 Drain pipe materials and sizes. Components of the condensate disposal system shall be cast iron, galvanized steel, copper, cross-link polyethylene, polybutylene, polyethylene, ABS, CPVC, or PVC pipe or tubing when exposed to ultra violet light. All

components shall be selected for the pressure, ~~and~~ temperature, and exposure rating of the installation. Joints and connections shall be made in accordance with the applicable provisions of Chapter 7 relative to the material type. Condensate waste and drain line size shall not be less than ¾ inch (19 mm) internal diameter and shall not decrease in size from the drain pan connection to the place of condensate disposal. Where the drain pipes from more than one unit are manifolded together for condensate drainage, the pipe or tubing shall be sized in accordance with Table 314.2.2. All horizontal sections of drain piping shall be installed in uniform alignment at a uniform slope.

(10) **Section 409.2; amend to read as follows:**

409.2 Water connection. The water supply to a commercial dishwashing machine shall be protected against backflow by an air gap or backflow preventer in accordance with Section 608. (Remainder of section unchanged)

(11) **Section 412.4; amend to read as follows:**

412.4 Required location for floor drains ~~Public laundries and central washing facilities.~~ Floor drains shall be installed in the following areas:

1. In public coin-operated laundries and in the central washing facilities of multiple family dwellings, the rooms containing automatic clothes washers shall be provided with floor drains located to readily drain the entire floor area. Such drains shall have a minimum outlet of not less than 3 inches (76 mm) in diameter.
2. Commercial kitchens. In lieu of floor drains in commercial kitchens, the code official may accept floor sinks.
3. Public restrooms.

(12) **Section 421.7; add section to read as follows:**

421.7 Test for shower receptors. Shower receptors shall be tested for water tightness by filling with water to the level of the rough threshold. The drain shall be plugged in a manner so that both sides of pans shall be subjected to the test at the point where it is clamped to the drain.

(13) **Section 502.3; amend to read as follows:**

502.3 Appliances in attics. Attics containing a water heater shall be provided . . . {bulk of paragraph unchanged} . . . side of the water heater. The clear access opening dimensions shall be a minimum of 20 inches by 30 inches (508 mm by 762 mm), or _____ larger where such dimensions be not less than 20 inches by 30 inches(508mm by 762mm) where such dimensions are large enough to allow removal of the water heater. A _____ walkway to an appliance shall be rated as a floor as approved by the building official. As _____ a minimum, for access to the attic space, provide one of the following:

1. A permanent stair.
2. A pull down stair with a minimum 300 lb (136 kg) capacity.
3. An access door from an upper floor level.
4. Access Panel may be used in lieu of items 1, 2, and 3 with prior approval of the code official due to building conditions.

(14) **Section 502.6; add Section 502.6 to read as follows:**

502.6 Water heaters above ground floor. When the attic, roof, mezzanine, or platform in which a water heater is installed is more than eight (8) feet (2438 mm) above the ground or floor level, it shall be made accessible by a stairway or permanent ladder fastened to the building.

Exception: A max 10-gallon water heater (or larger with approval) is capable of being accessed through a lay-in ceiling and a water heater is installed is not more than ten (10) feet (3048 mm) above the ground or floor level and may be reached with a portable ladder.

(15) **Section 504.6; amend to read as follows:**

504.6 Requirements for discharge piping. The discharge piping serving a pressure relief valve, temperature relief valve, or combination thereof shall:

1. Not be directly connected to the drainage system.
2. Discharge through an air gap. ~~located in the same room as the water heater.~~
3. Not be smaller than the diameter of the outlet of the valve served and shall discharge full size to the air gap.
4. Serve a single relief device and shall not connect to piping serving any other relief device or equipment.
5. Discharge ~~to the floor,~~ to an indirect waste receptor or to the outdoors.
6. Discharge in a manner that does not cause personal injury or structural damage.
7. Discharge to a termination point that is readily observable by the building occupants.
8. Not be trapped.
9. Be installed so as to flow by gravity.
10. Terminate not more than 6 inches above and not less than two times the discharge pipe diameter above the floor or flood level rim of the waste receptor.
11. Not have a threaded connection at the end of such piping.
12. Not have valves or tee fittings.
13. Be constructed of those materials listed in Section 605.4 or materials tested, rated and *approved* for such use in accordance with ASME A112.4.1.

(16) **Section 504.7.1; amend to read as follows:**

504.7.1 Pan size and drain to read as follows: The pan shall be not less than 1 ½ inches (38 mm) in depth and shall be of sufficient size and shape to receive all dripping or condensate from the tank or water heater. The pan shall be drained by an indirect waste pipe having a diameter of not less than ¾ inch (19 mm). Piping for safety pan drains shall be of those materials listed in Table 605.4 Multiple pan drains may terminate to a single discharge piping system when approved by the administrative authority and permitted by the manufacturers installation instructions and installed with those instructions.

(17) **Section 608.1; amend to read as follows:**

608.1 General. A potable water supply system shall be designed, installed and maintained in such a manner so as to prevent contamination from non-potable liquids, solids, or gases being introduced into the potable water supply through cross-connections or any other piping connections to the system. Backflow preventer applications shall conform to applicable local regulations, Table 608.1, ~~except~~ and as specifically stated in Sections 608.2 through 608.16.10.

(18) **Section 608.17.5; amend to read as follows:**

608.17.5 Connections to lawn irrigation systems. The potable water supply to law irrigation systems shall be protected against backflow by an atmospheric-type vacuum breaker, a pressure-

type vacuum breaker, a double-check assembly or a reduced pressure principle backflow preventer. A valve shall not be installed downstream from an atmospheric vacuum breaker. Where chemicals are introduced into the system, the potable water supply shall be protected against backflow by a reduced pressure principle backflow preventer.

(19) **Section 608.18; amend to read as follows:**

608.18 Protection of individual water supplies. An individual water supply shall be located and constructed so as to be safeguarded against contamination in accordance with applicable local regulations. Installation shall be in accordanced with Sections 608.17.1 through 608.17.8.

(20) **Section 703.6; Delete section.**

(21) **Section 704.5; add section to read as follows:**

704.5 Single stack fittings. Single stack fittings with internal baffle, PVC schedule 40 or cast iron single stack shall be designed by a registered engineer and comply to a nationally recognized standard.

(22) **Section 712.4; add Section 712.4.3 to read as follows:**

712.4.3 Dual Pump System. All sumps shall be automatically discharged and, when in any “public use” occupancy where the sump serves more than 10 fixture units, shall be provided with dual pumps or ejectors arranged to function independently in case of overload or mechanical failure. For storm drainage sumps and pumping systems, see Section 1113.

(23) **Section 713, 713.1; change to read as follows:**

**SECTION 713
ENGINEERED COMPUTERIZED DRAINAGE DESIGN**

713.1 Design of drainage system. The sizing, design and layout of the drainage system shall be ~~permitted to be~~ designed by a registered engineer using approved computer design methods.

(24) **Section 903.1.1; amend to read as follows:**

903.1.1 Roof extension. Open vent pipes that extend through a roof shall terminate not less than six (6) inches (152mm) above the roof. ~~Where a roof is to be used for assembly or as a promenade, observation deck, sunbathing deck, or similar purpose, open vent pipes shall terminate not less than 7 feet (2134 mm) above the roof.~~

(25) **Section 1202.1; delete Exceptions 1 and 2.”**

SECTION 5.

Article VII, “International Mechanical Code,” of Chapter 10, “Buildings and Regulations,” of the Code of Ordinances, City of Burleson, Texas is hereby amended to read as follows:

“ARTICLE VII. – INTERNATIONAL MECHANICAL CODE

Sec. 10-261. - Proposed Adoption.

The 2021 edition of the International Mechanical Code of the International Code Council as herein after amended, is from the effective date hereof, hereby adopted as the mechanical code of the City of Burleson. Once copy of such International Code is incorporated herein by reference and shall have been filed for permanent record and inspection in the office of the city secretary.

Sec. 10-262. – Amendments.

Amendments to the International Mechanical Code adopted herein are as follows:

(1) **Section 102.8; amend to read as follows:**

102.8 Referenced Codes and Standards. The codes and standards referenced herein shall be those that are listed in Chapter 15 and such codes, when specifically adopted, and standards shall be considered part of the requirements of this code to the prescribed extent of each such reference. Where differences occur between provisions of this code and the referenced standards, the provisions of this code shall apply. Whenever amendments have been adopted to the referenced codes and standards, each reference to said code and standards shall be considered to reference the adopted amendments. Any reference to NFPA 70 or the *National Electrical Code* (NEC) shall mean the Electrical Code as adopted.

(2) **Section 114; amend to read as follows:**

~~**114 Means of Appeals.** Delete entire section.~~

(3) **Section 306.3; amend to read as follows:**

306.3 Appliances in Attics. Attics containing appliances shall be provided . . . *{bulk of paragraph unchanged}* . . . side of the appliance. The clear *access* opening dimensions shall be a minimum of 20 inches by 30 inches (508 mm by 762 mm), or larger where such dimensions are not large enough to allow removal of the large appliance. A walkway to an appliance shall be rated as a floor as approved by the building official. As a minimum, for access to the attic space, provide one of the following:

1. A permanent stair.
2. A pull down stair with a minimum 300 lb. (136 kg) capacity.
3. An access door from an upper floor level.
4. Access Panel may be used in lieu of items 1, 2, and 3 with prior approval of the code official due to building conditions.

Exceptions:

1. The passageway and level service space are not required where the appliance is capable of being serviced and removed . . . *{remainder of section unchanged}*.

(4) **Section 306.5; amend to read as follows:**

306.5 Equipment and Appliances on Roofs or Elevated Structures. Where *equipment* requiring access or appliances are located on an elevated structure or the roof of a building such that personnel will have to climb higher than 16 feet (4877 mm) above grade to access, ~~an~~ a permanent interior or exterior means of access shall be provided. Permanent exterior ladders providing roof access need not extend closer than 8 12 feet (2438 mm) to the finish grade or floor level below and shall extend to the equipment and appliances' level service space. Such access shall . . . {bulk of section to read the same} . . . on roofs having a slope greater than 4 units vertical in 12 units horizontal (33-percent

slope) . . . {bulk of section to read the same}.

(5) **Section 306.5.1; amend to read as follows:**

306.5.1 Sloped Roofs. Where appliances, *equipment*, fans, or other components that require service are installed on a roof having a slope of 3 units vertical in 12 units horizontal (25-percent slope) or greater and having an edge more than 30 inches (762 mm) above grade at such edge, a catwalk at least 16 inches in width with substantial cleats spaced not more than 16 inches apart shall be provided from the roof access to a level platform at the appliance. The level platform shall be provided on each side of the appliance to which access is required for service, repair or maintenance. The platform shall be not less than 30 inches (762 mm) in any dimension and shall be provided with guards. The guards shall extend not less than 42 inches (1067 mm) above the platform, shall be constructed so as to prevent passage of a 21-inch-diameter (533 mm) sphere and shall comply with the loading requirements for guards specified in the International Building Code.

(6) **Section 306; add Section 306.6 to read as follows:**

306.6 Water Heaters Above Ground or Floor. When the mezzanine or platform in which a water heater is installed is more than eight (8) feet (2438 mm) above the ground or floor level, it shall be made accessible by a stairway or permanent ladder fastened to the building.

Exception: A maximum 10-gallon water heater (or larger with approval) is capable of being accessed through a lay-in ceiling and the water heater installed is not more than ten (10) feet (3048 mm) above the ground or floor level and may be reached with a portable ladder.

(7) **Section 403.2.1; add item 5 to read as follows:**

5. Toilet rooms within private dwellings that contain only a water closet, lavatory, or combination thereof may be ventilated with an approved mechanical recirculating fan or similar device designed to remove odors from the air.

(8) **Section 501.3; add an exception to read as follows:**

501.3 Exhaust Discharge. The air removed by every mechanical exhaust system shall be discharged outdoors at a point where it will not cause a public nuisance and not less than the distances specified in Section 501.3.1. The air shall be discharged to a location from which it cannot again be readily drawn in by a ventilating system. Air shall not be exhausted into an attic, crawl space, or be directed onto walkways.

Exceptions:

1. Whole-house ventilation-type attic fans shall be permitted to discharge into the attic space of dwelling units having private attics.
2. Commercial cooking recirculating systems.
3. Where installed in accordance with the manufacturer's instructions and where mechanical or natural ventilation is otherwise provided in accordance with Chapter 4, listed and labeled domestic ductless range hoods shall not be required to discharge to the outdoors.
4. Toilet room exhaust ducts may terminate in a warehouse or shop area when infiltration of outside air is present."

SECTION 6.

Article IX, "International Fuel Gas Code," of Chapter 10, "Buildings and Regulations," of the

Code of Ordinances, City of Burleson, Texas is hereby amended to read as follows:

“ARTICLE IX. – INTERNATIONAL FUEL GAS CODE

Sec. 10-321. – Proposed Adoption.

The 2021 edition of the International Fuel Gas Code of the International Code Council as hereinafter amended is from the effective date hereof, hereby adopted as the fuel gas code of the City of Burleson. One copy of such International Fuel Gas Code is incorporated herein by reference and shall have been filed for permanent record and inspection in the office of the city secretary.

Sec. 10-322. – Amendments

Amendments to the International Fuel Gas Code adopted herein are as follows:

(1) Section 102.2; add an exception to read as follows:

Exception. Existing dwelling units shall comply with Section 621.2.

(2) Section 102.8; amend to read as follows:

102.8 Referenced codes and standards. The codes and standards referenced in this code shall be those that are listed in Chapter 8 and such codes, when specifically adopted, and standards shall be considered part of the requirements of this code to the prescribed extent of each such reference. Where differences occur between provisions, of this code and the referenced standards, the provisions of this code shall apply. Whenever amendments have been adopted to the referenced codes and standards, each reference to said code and standard shall be considered to reference the amendments as well. Any reference to NFPA 70 or the ICC *Electrical Code* shall mean the Electrical Code as adopted.

(3) Section 109.2 amend to read as follows:

109.2 Fee Schedule. The fees for all fuel gas work shall be as adopted by resolution of the governing body of the jurisdiction.

(4) Section 306.3; amend to read as follows:

[M] 306.3 Appliances in attics. Attics containing appliances requiring access shall be provided . . . {bulk of paragraph unchanged} . . . side of the appliance. The clear access opening dimensions shall be a minimum of 20 inches by 30 inches (508 mm by 762 mm), ~~and~~ or larger where such dimensions are not large enough to allow removal of the largest appliance. A walkway to an appliance shall be rated as a floor as approved by the building official. As a minimum, for access to the attic space, provide one of the following:

1. A permanent stair.
2. A pull down stair with a minimum of 300 lb (136 kg) capacity.
3. An access door from an upper floor level.
4. Access Panel may be used in lieu of items 1, 2, and 3 with prior approval of the code official due to building conditions.

Exceptions:

1. The passageway and level service space are not required where the *appliance* is capable of being serviced and removed through the required opening.

2. Where the passageway is not less than . . . {*bulk of section to read the same*}.

(5) **Section 306.5; amend to read as follows:**

[M] **306.5 Equipment and appliances on roofs or elevated structures.** Where *equipment* requiring *access* or appliances are located on an elevated structure or the roof of a building such that personnel will have to climb higher than 16 feet (4877 mm) above grade to access, ~~an~~ a permanent interior or exterior means of access shall be provided. Permanent exterior ladders providing roof access need not extend closer than 8 ft. to the finish grade or floor level below and shall extend to the equipment and appliances' level service space. Such *access* shall . . . {*bulk of section to read the same*} . . . on roofs having a slope greater than 4 units vertical in 12 units horizontal (33-percent slope) . . . {*bulk of section to read the same*}.

(6) **Section 306.5.1; amend to read as follows:**

[M] **306.5.1 Sloped roofs.** Where appliances, *equipment*, fans or other components that require service are installed ~~on a roof having a slope of 3 units vertical in 12 units horizontal (25 percent slope) or greater~~ on roofs having slopes greater than 4 units vertical in 12 units horizontal and having an edge more than 30 inches (762 mm) above grade at such edge, a catwalk at least 16 inches in width with substantial cleats spaced not more than 16 inches apart shall be provided from the roof access to the level platform at the appliance. The level platform shall be provided on each side of the appliance to which *access* is required for service, repair, or maintenance. The platform shall be not less than 30 inches (762 mm) in any dimension and shall be provided with guards. The guards shall extend not less than 42 inches (1067 mm) above the platform, shall be constructed so as to prevent the passage of a 21-inch-diameter (533 mm) sphere and shall comply with the loading requirements for guards specified in the *International Building Code*.

(7) **Section 306; add Section 306.7 with exception and subsection 306.7.1 to read as follows:**

Section 306.7 Water heaters above ground or floor. When the attic, roof, mezzanine, or platform in which a water heater is installed is more than eight (8) feet (2438 mm) above the ground or floor level, it shall be made accessible by a stairway or permanent ladder fastened to the building.

Exception: A max 10 gallon water heater (or larger when approved by the code official) is capable of being accessed through a lay-in ceiling and a water heater is installed is not more than ten (10) feet (3048 mm) above the ground or floor level and may be reached with a portable ladder.

Section 306.7.1 Illumination and convenience outlet. Whenever the mezzanine or platform is not adequately lighted or access to a receptacle outlet is not obtainable from the main level, lighting and a receptacle outlet shall be provided in accordance with Section 306.3.1.

(8) **Section 401.5; add a second paragraph to read as follows:**

Both ends of each section of medium pressure corrugated stainless steel tubing (CSST) shall identify its operating gas pressure and an approved tag. The tags are to be composed of aluminum or stainless steel and the following wording shall be stamped into the tag:

“WARNING
½ to 5 psi gas pressure
Do Not Remove”

(9) **Section 402.3; add an exception to read as follows:**

Exception: Corrugated stainless steel tubing (CSST) shall be a minimum of ½" (18 EHD).

(10) **Section 404.12; amend to read as follows:**

404.12 Minimum burial depth. Underground piping systems shall be installed a minimum depth of at least 18 inches (305-458 mm) top of pipe below grade, except as provided for in Section 404.10.1.

(11) **Section 404.12.1; amend to read as follows:**

404.12.1 Individual outside appliances. Individual lines to outside lights, grills or other appliances shall be installed a minimum of 8 12 inches (203 305 mm) top of pipe below finished grade, provided that such installation is approved and is installed in locations not susceptible to physical damages.

(12) **Section 406.4; amend to read as follows:**

406.4 Test pressure measurement. Test pressure shall be measured with a monometer or with a pressure-measuring device designed and calibrated to read, record, or indicate a pressure loss caused by leakage during the pressure test period. The source of pressure shall be isolated before the pressure tests are made. ~~Mechanical gauges used to measure test pressures shall have a range such that the highest end of the scale is not greater than five times the test pressure.~~

(13) **Section 406.4.1; amend to read as follows:**

406.4.1 Test pressure. ~~The test pressure to be used shall be no less than 1½ times the proposed maximum working pressure, but no less than 3-3psig (20 kPa gauge), or at the discretion of the Code Official, the piping and valves may be tested at a pressure of at least six (6) inches (152 mm) of mercury, measured with a manometer or slope gauge, irrespective of design pressure. Where the test pressure exceeds 125 psig (862 kPa gauge), the test pressure shall not exceed a value that produces a hoop stress in the piping greater than 50 percent of the specified minimum yield strength of the pipe. For tests requiring a pressure of 3 psig, diaphragm gauges shall utilize a dial with a minimum diameter of three and one-half inches (3 ½"), a set hand, 1/10 pound incrementation and pressure range not to exceed 6 psi for tests requiring a pressure of 3 psig. For tests requiring a pressure of 10 psig, diaphragm gauges shall utilize a dial with a minimum diameter of three and one-half inches (3 ½"), a set hand, a minimum of 2/10 pound incrementation and a pressure range not to exceed 20 psi. For welding, piping, and for piping carrying gas at pressures in excess of fourteen (14) inches water column pressure (3.48 kPa) (1/2 psi) and less than 200 inches of water column pressure (52.2 kPa) (7.5 psi), the test pressure shall not be less than ten (10) pounds per square inch (69.6 kPa). For piping carrying gas at a pressure that exceeds 200 inches of water column (52.2 kPa) (7.5 psi), the test pressure shall be not less than one and one-half times the proposed maximum working pressure.~~

Diaphragm gauges used for testing must display a current calibration and be in good working condition. The appropriate test must be applied to the diaphragm gauge used for testing.

(14) **Section 409.1; add Section 409.1.4 to read as follows:**

409.1.4 Valves in CSST installations. Shutoff valves installed with corrugated stainless steel (CSST) piping systems shall be supported with an approved termination fitting, or equivalent support, suitable for the size of the valves, of adequate strength and quality, and located at intervals so as to prevent or damp out excess vibration but in no case greater than 12-inches from the center of the valve. Supports shall be installed so as not to interfere with the free expansion and contraction of the system's piping, fittings, and valves between anchors. All valves and supports shall be

designed and installed so they will not be disengaged by movement of the supporting piping.

(15) **Section 410.1; add a second paragraph and exception to read as follows:**

Access to regulators shall comply with the requirements for access to appliances as specified in Section 306.

Exception: A passageway or level service space is not required when the regulator is capable of being serviced and removed through the required attic opening.

(16) **Section 621.2; add exception as follows:**

621.2 Prohibited use. One or more unvented room heaters shall not be used as the sole source of comfort heating in a dwelling unit.

Exception: Existing approved unvented heaters may continue to be used in dwelling units, in accordance with the code provisions in effect when installed, when approved by the Code Official unless an unsafe condition is determined to exist as described in Section 108.7.

(17) **Section 624.1.1; amend to read as follows:**

624.1.1 Installation requirements. The requirements for water heaters relative *access*, sizing, relief valves, drain pans and scald protection shall be in accordance with the *International Plumbing Code*.”

SECTION 7.

Article X, “International Energy Conservation Code,” of Chapter 10, “Buildings and Regulations,” of the Code of Ordinances, City of Burleson, Texas is hereby amended to read as follows:

“ARTICLE X. – INTERNATIONAL ENERGY CONSERVATION CODE

Sec. 10-351. – Proposed Adoption

The 2021 edition of the International Energy Conservation Code of the International Code Council, as hereinafter amended, is from the effective date hereof hereby adopted as the energy conservation code of the City of Burleson. One copy of such International Energy Conservation Code is incorporated herein by reference and shall have been filed for permanent record and inspection in the office of the city secretary.

Sec. 10-352. – Amendments

Amendments to the International Energy Conservation Code adopted herein are as follows:

(1) **Section C102/R102; add Section C102.1.2 and R102.1.2 to read as follows:**

C102.1.2 Alternative Compliance. A building certified by a national, state, or local accredited energy efficiency program and determined by the Energy Systems Laboratory to be in compliance with the energy efficiency requirements of this section may, at the option of the Code Official, be considered in compliance. The United States Environmental Protection Agency’s Energy Star Program certification of energy code equivalency shall be considered in compliance.

R102.1.2 Alternative compliance. A building certified by national, state, or local accredited

energy efficiency program and determined by the Energy Systems Laboratory to be in compliance with the energy efficiency requirements of this section may, at the option of the Code Official, be considered in compliance. The United States Environmental Protection Agency's Energy Star Program certification of energy code equivalency shall be considered in compliance. Regardless of the program or the path to compliance, each 1- and 2-family dwelling shall be tested for air and duct leakage as prescribed in Section R402.4.1.2 (N1102.4.1.2) and R403.3.3 (N1103.3.3) respectively.

(2) **Section 105.2 Required Inspections; Changed numbering and to read as follows:**

R105.2.1 Footing and foundation inspection.

Inspections associated with footings and foundations shall verify compliance with the code as to R-value, location, thickness, depth of burial and protection of insulation as required by the code and approved plans and specifications.

R105.2.2 Framing and Air Barrier rough-in inspection.

Inspections at framing and rough-in shall be made before application of ~~interior finish insulation~~ and shall verify compliance with the code as to: ~~types of insulation and corresponding R-values and their correct location and proper installation; fenestration properties such as U-factor and SHGC and proper installation;~~ air leakage controls as required by the code; and approved plans and specifications.

R105.2.3 Insulation and Fenestration rough-in inspection.

Inspections at framing and rough-in shall be made before application of interior finish and shall verify compliance with the code as to: types of insulation and corresponding R-values and their correct location and proper installation; fenestration properties such as U-factor and SHGC and proper installation.

R105.2.34 Plumbing rough-in inspection.

Inspections at plumbing rough-in shall verify compliance as required by the code and approved plans and specifications as to types of insulation and corresponding R-values and protection and required controls.

R105.2.45 Mechanical rough-in inspection.

Inspections at mechanical rough-in shall verify compliance as required by the code and approved plans and specifications as to installed HVAC equipment type and size, required controls, system insulation and corresponding R-value, system air leakage control, programmable thermostats, dampers, whole-house ventilation, and minimum fan efficiency.

Exception: Systems serving multiple dwelling units shall be inspected in accordance with Section C105.2.4.

R105.2.56 Final inspection.

The building shall have a final inspection and shall not be occupied until approved. The final inspection shall include verification of the installation of all required building systems, equipment and controls and their proper operation and the required number of high-efficacy lamps and fixtures.

(3) **Section C202 and R202; add the following definition:**

PROJECTION FACTOR: The ratio of the horizontal depth of the overhang, eave or permanently attached shading device, divided by the distance measured vertically from the bottom of the fenestration glazing to the underside of the overhang, eave or permanently attached shading device.

(4) **Section R202; add the following definition:**

DYNAMIC GLAZING: Any fenestration product that has the fully reversible ability to change its performance properties, including *U*-factor, solar heat gain coefficient (SHGC), or visible transmittance (VT).

(5) **Section R401.2.5 Additional Energy efficiency; deleted in its entirety.**

(6) **Table 402.1.2 Maximum Assembly/Climate Zone items: amend table as follows.**

<i>Climate Zone</i>	<i>Fenestration U-Factor^f</i>	<i>Ceiling U-Factor</i>
2	.40	0.26-0.29
3	0.30 0.32	0.26-0.29

(7) **Table 402.1.3 Insulation/Climate Zone items: amend table as follows.**

<i>Climate Zone</i>	<i>Fenestration U-Factor^{b,i}</i>	<i>Ceiling R-Value</i>	<i>Wood Frame Wall R-Value</i>	<i>Slab R-Value & Depth</i>
2	.40	49-42	13 or 0 + 10	0
3	0.30 0.32	49-42	19 or 13+53ci, 0+15	10ci, 2 ft 0

(8) **Section R402.4.1 Building thermal envelope; add section R402.4.1.4 to read as follows**

R402.4.1.4 Sampling options for R2 multifamily dwelling units. For buildings with eight or more testing units that must be tested as required by R402.4.1.2 or R402.4.1.3, the greater of seven units or 20 percent of the testing units in the building shall be tested, including a top floor unit, a ground floor unit, a middle floor unit, and a unit with the largest testing unit enclosure area. For each tested unit that exceeds the maximum air leakage rate, an additional three units shall be tested, including a mixture of testing unit types and locations. Where buildings have fewer than eight testing units, each testing unit shall be tested.

(9) **Section R402.4.6 Electrical and Communication outlet boxes. Delete after the first sentence to read as follows.**

R402.4.6 Electrical and communication outlet boxes (air-sealed boxes). Electrical and communication outlet boxes installed in the building thermal envelope shall be sealed to limit air leakage between conditioned and unconditioned spaces. ~~Electrical and communication outlet boxes shall be tested in accordance with NEMA OS 4, Requirements for Air Sealed Boxes for Electrical and Communication Applications, and shall have an air leakage rate of not greater than 2.0 cubic feet per minute (0.944 L/s) at a pressure differential of 1.57 psf (75 Pa). Electrical and communication outlet boxes shall be marked “NEMA OS 4” or “OS 4” in accordance with NEMA OS 4. Electrical and communication outlet boxes shall be installed per the manufacturer’s instructions and with any supplied components required to achieve compliance with NEMA OS 4.~~

(10) **Section R403.3 Ducts; add section R403.3.8 to read as follows**

R403.3.8 Sampling options for R2 multifamily dwelling units. For buildings with eight or more testing units that must be tested as required by R403.3.5, the greater of seven units or 20 percent of the testing units in the building shall be tested, including a top floor unit, a ground floor unit, a middle floor unit, and a unit with the largest testing unit floor area. For each tested unit that exceeds the maximum duct leakage rate, an additional three units shall be tested, including a mixture of testing unit types and locations. Where buildings have fewer than eight testing units, each testing unit shall be tested.

- (11) **Section R403.6 Mechanical Ventilation; add section R403.6.4 to read as follows**
R403.6.4 Sampling options for R2 multifamily dwelling units. For buildings with eight or more testing units that must be tested as required by R403.6.3, the greater of seven units or 20 percent of the testing units in the building shall be tested, including a top floor unit, a ground floor unit, a middle floor unit, and a unit with the largest testing unit floor area. For each tested unit that does not meet the minimum ventilation rate, an additional three units shall be tested, including a mixture of testing unit types and locations. Where buildings have fewer than eight testing units, each testing unit shall be tested.

- (12) **Section R404.2 Interior Lighting Controls; deleted in its entirety.**

- (13) **R405.2 Performance-based compliance. Added to underlined to read as follows.**

R405.2 Performance-based compliance. Compliance based on total building performance requires that a *proposed design* meets all of the following:

1. The requirements of the sections indicated within Table R405.2.
2. The building thermal envelope greater than or equal to levels of efficiency and solar heat gain coefficients in Table R402.1.1 or R402.1.3 of the 2009 *International Energy Conservation Code*.
3. An annual energy cost that is less than or equal to the annual energy cost of the 2021 standard reference design or 8% less than the annual energy cost of the 2018 standard reference design. Energy prices shall be taken from a source *approved* by the *code official*, such as the Department of Energy, Energy Information Administration's State Energy Data System Prices and Expenditures reports. Code officials shall be permitted to require time-of-use pricing in energy cost calculations.

Exception: The energy use based on source energy expressed in Btu or Btu per square foot of *conditioned floor area* shall be permitted to be substituted for the energy cost. The source energy multiplier for electricity shall be 3.16. The source energy multiplier for fuels other than electricity shall be 1.1.

- (14) **Section R405.6.2; add the following sentence to the end of the paragraph:**
Acceptable performance software simulation tools may include, but are not limited to, REM Rate TM, Energy Gauge and IC3. Other performance software programs accredited by RESNET BESTEST and having the ability to provide a report as outlined in R405.4.2 may also be deemed acceptable performance simulation programs and may be considered by the building official.

- (15) **Table R406.4 MAXIMUM ENERGY RATING INDEX; amend to read as follows:**

TABLE R406.4¹
MAXIMUM ENERGY RATING INDEX

CLIMATE ZONE	ENERGY RATING INDEX
2	52-63
3	52-63

¹ This table is effective until August 31, 2022.

TABLE R406.4²
MAXIMUM ENERGY RATING INDEX

CLIMATE ZONE	ENERGY RATING INDEX
2	52 59
3	52 59

² The table is effective from September 1, 2022 to August 31, 2025.

TABLE R406.4³
MAXIMUM ENERGY RATING INDEX

CLIMATE ZONE	ENERGY RATING INDEX
2	52 57
3	52 57

² This table is effective from September 1, 2025 to August 31, 2028.

TABLE R406.4 (N1106.4) ³
MAXIMUM ENERGY RATING INDEX

CLIMATE ZONE	ENERGY RATING INDEX
2	52 55
3	52-55

⁴ This table is effective on or after September 1, 2028.”

SECTION 8.

Article XI, “Swimming Pools,” of Chapter 10, “Buildings and Regulations,” of the Code of Ordinances, City of Burleson, Texas is hereby amended to read as follows:

“ARTICLE XI. – INTERNATIONAL SWIMMING POOL AND SPA CODE”

Sec. 10-381. – Proposed Adoption

The 2021 edition of the International Swimming Pool and Spa Code of the International Code Council, as hereinafter amended, is from the effective date hereof hereby adopted as the swimming pools code of the City of Burleson. One copy of such International Swimming Pool and Spa Code is incorporated herein by reference and shall have been filed for permanent record and inspection in the office of the city secretary.

Sec. 10-382. – Amendments

Amendments to the International Energy Conservation Code adopted herein are as follows:

(1) **Section 102.9; Change to read as follows:**

Section 102.9 Other laws. The provisions of this code shall not be deemed to nullify any provisions of local, state or federal law, to include but not limited to:

1. Texas Department of State Health Services (TDSHS); Standards for Public Pools and Spas; §285.181 through §285.208, (TDSHS rules do not apply to pools serving one- and two-family dwellings or townhouses).
2. Texas Department of Licensing and Regulation (TDLR); 2012 Texas Accessibility Standards (TAS), TAS provide the scoping and technical requirements for accessibility for Swimming Pool, wading pools and spas and shall comply with 2012 TAS, Section 242. (TAS rules do not apply to pools serving one- and two-family dwellings or townhouses).

Exception: Elements regulated under Texas Department of Licensing and Regulation (TDLR) and built in accordance with TDLR approved plans, including any variances or waivers granted by the TDLR, shall be deemed to be in compliance with the requirements of this Chapter.

(2) **Section 113.4 Violation penalties; Changed to read as follows:**

113.4 Violation penalties. Any person who shall violate a provision of this code or shall fail to comply with any of the requirements thereof or who shall erect, install, alter or repair a pool or spa in violation of the *approved* construction documents or directive of the *code official*, or of a permit or certificate issued under the provisions of this code may be punishable for each day of the violation set forth by the authority having jurisdiction. ~~shall be guilty of a [SPECIFY OFFENSE], punishable by a fine of not more than [AMOUNT] dollars or by imprisonment not exceeding [NUMBER OF DAYS], or both such a fine and imprisonment. Each day that a violation continues after due notice has been served shall be deemed a separate offense.~~

(3) Section 305; Change to read as follows:

305.1 General.

The provisions of this section shall apply to the design of barriers for restricting entry into areas having pools and spas. In only one-and two-family dwellings and townhouses, where spas or hot tubs are equipped with a lockable safety cover complying with [ASTM F1346](#) and swimming pools are equipped with a powered safety cover that complies with [ASTM F1346](#), the areas where those spas, hot tubs or pools are located shall not be required to comply with [Sections 305.2](#) through [305.7](#)

(4) **Add subsection 305.2.7.1; to read as follows:**

305.2.7.1 Chain link fencing prohibited. Chain link fencing is not permitted as a barrier in public pools built after January 1, 1994.

(5) **Section 305.4 structure wall as a barrier; Changes as follows:**

305.4 Structure wall as a barrier. Where a wall of a dwelling or structure of a one- and two-family dwelling or townhouse or its accessory structure serves as part of a barrier and where doors or

windows provide direct access to the pool or spa through that wall, one of the following shall be required:

1. Remainder Unchanged
2. Remainder Unchanged
3. Remainder Unchanged
4. Remainder unchanged
5. Remainder unchanged

Remainder unchanged

(6) **Section 305.6; Change to read as follows:**

305.6 Natural barriers used in a one- and two-family dwelling or townhouse. In the case where the pool or spa area abuts the edge of a lake or other natural body of water, public access is not permitted or allowed along the shoreline, and required barriers extend to and beyond the water's edge a minimum of eighteen (18) inches, a barrier is not required between the natural body of water shoreline and the pool or spa.

(7) **Section 307.1.4 Accessibility; Add exception to Section to 307.1.4 as follows:**

Exception: Components of projects regulated by and registered with Architectural Barriers Division of Texas Department of Licensing and Regulation shall be deemed to be in compliance with the requirements of this chapter

(8) **Section 307.2.2.2; add to read as follows:**

Section 307.2.2.2. Adjacency to Structural Foundation. Depth of the swimming pool and spa shall maintain a ratio of 1:1 from the nearest building foundation or footing of a retaining wall.

Exception:

A sealed engineered design drawing of the proposed new structure shall be submitted for approval

(9) **Section 310; Change to read as follows:**

310.1 General. Suction entrapment avoidance for pools and spas shall be provided in accordance with APSP 7 (ANSI/PHTA/ICC 7) or for public swimming pools in accordance with State of Texas Rules for Public Swimming Pools and Spas, Title 25 TAC Chapter 265 Subchapter L, Rule §265.190.

(10) **Section 402.12; Change to read as follows:**

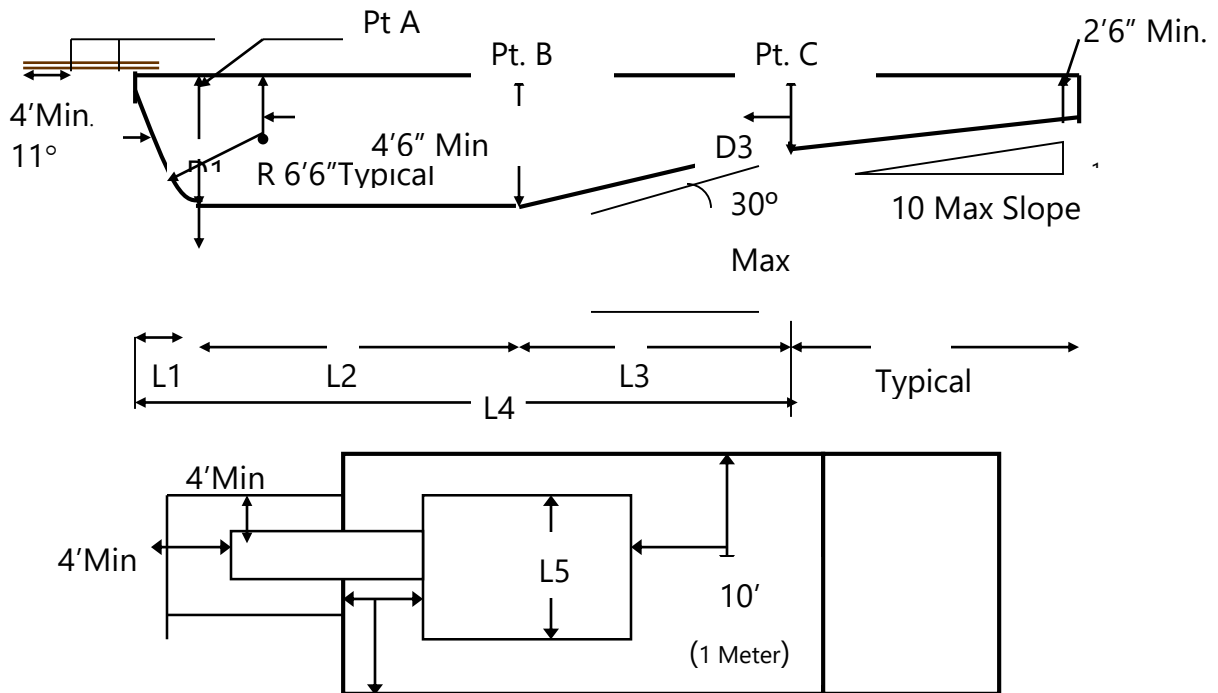
402.12 Water envelopes. The minimum diving water envelopes shall be in accordance with Table 402.12 **Texas department of State Health services, Administrative Code Title 25, Chapter 265, Section 186 (e) and Figure: 25 TAC 256.186 (e) (6).** (Delete Table 402.12 and Figure 402.12)

ADD: Figure: 25 TAC §265.186 (e) (6)

Maximum Diving Board Height Over Water	¾ Meter	1 Meter	3 Meters
Max. Diving Board Length	12 ft.	16 ft.	16 ft.
Minimum Diving Board Overhang	2 ft. 6 in.	5 ft.	5 ft.
D1 Minimum	8 ft. 6 in.	11 ft. 2 in.	12 ft. 2 in.
D2 Minimum	9 ft.	10 ft. 10 in.	11 ft. 10 in.
D3 Minimum	4 ft.	6 ft.	6 ft.
L1 Minimum	4 ft.	5 ft.	5 ft.
L2 Minimum	12 ft.	16 ft. 5 in.	19 ft. 9 in.

L3 Minimum	14 ft. 10 in.	13 ft. 2 in.	13 ft. 11 in.
L4 Minimum	30 ft. 10 in.	34 ft. 7 in.	38 ft. 8 in.
L5 Minimum	8 ft.	10 ft.	13 ft.
H Minimum	16 ft.	16 ft.	16 ft.
From Plumbet to Pool Wall at Side	9 ft.	10 ft.	11 ft. 6 in.
From Plumbet to Adjacent Plumbet	10 ft.	10 ft.	10 ft.

H (Overhead
Obstruction or Ceiling)



(11) Section 310; Change to read as follows:

Tread dimensions and area. Treads shall have a minimum unobstructed horizontal depth (i.e., horizontal run) of 12 inches and a minimum width of 20 inches, not be less than 24 inches (607mm) at the leading edge. Treads shall have an unobstructed surface area of not less than 240 square inches (154838mm²) and an unobstructed horizontal depth of not less than 10 inches (254 mm) at the center line.

Risers. Risers for steps shall have a maximum uniform height of 10 inches, with the bottom riser height allowed to taper to zero except for the bottom riser, shall have a uniform height of not greater than 12 inches (305 mm) measured at the center line. The bottom riser height is allowed to vary to the floor.

(12) Section 411.5.1 & 411.5.2; Change to read as follows:

Swimouts. Swimouts, located in either the deep or shallow area of a pool, shall comply with all of the following:

1. Unchanged
2. Unchanged
3. Unchanged
4. The leading edge shall be visibly set apart and provided with a horizontal solid or broken stripe at least 1 inch wide on the top surface along the front leading edge of each step. This stripe shall be plainly visible to persons on the pool deck. The stripe shall be a contrasting color to the background on which it is applied, and the color shall be permanent in nature and shall be a slip-resistant surface.

Underwater seats and benches. Underwater seats and benches, whether used alone or in conjunction with pool stairs, shall comply with all of the following:

1. Unchanged
2. Unchanged
3. Unchanged
4. Unchanged
5. The leading edge shall be visually set apart and provided with a horizontal solid or broken stripe at least 1 inch wide on the top surface along the front leading edge of each step. This stripe shall be plainly visible to persons on the pool deck. The stripe shall be a contrasting color to the background on which it is applied, and the color shall be permanent in nature and shall be a slip-resistant surface.
6. Unchanged
7. Unchanged

(13) **Section 610.5.1; Change to read:**

610.5.1 Uniform height of 9 10 inches. Except for the bottom riser, risers at the centerline shall have a maximum uniform height of 9 10 inches (229 254 mm). The bottom riser height shall be permitted to vary from the other risers.

(14) **Section 804 Diving Water Envelopes; Change to read as follows:**

Section 804.1 General. The minimum diving water envelopes shall be in accordance with Table 804.1 and Figure 804.1, or the manufacturer’s specifications, whichever is greater. Negative construction tolerances shall not be applied to the dimensions of the minimum diving water envelopes given in Table 804.1.

SECTION 9.

Chapter 10, “Buildings and Regulations,” Article XIV, “International Existing Building Code” of the Code of Ordinances, City of Burleson, Texas is hereby amended to read as follows:

“ARTICLE XIV. – INTERNATIONAL EXISTING BUILDING CODE

Sec. 10-491. – Proposed Adoption

The 2021 edition of the International Existing Building Code of the International Code Council, as hereinafter amended, is from the effective date hereof hereby adopted as the Existing Building code of the City of Burleson. One copy of such International Existing Building Code is incorporated herein by reference and shall have been filed for permanent record and inspection in the office of the city secretary.

Sec. 10-492. – Amendments

Amendments to the International Existing Building Code adopted herein are as follows:

(1) **Section 102.4; change to read as follows:**

102.4 Referenced codes and standards. The codes, when specifically adopted, and standards referenced in this code shall be considered part of the requirements of this code to the prescribed extent of each such reference and as further regulated in Sections 102.4.1 and 102.4.2. {No change to rest of section.}

(2) **Section 202; amend definition of Existing Building as follows:**

Existing Building - A building, structure, or space with an approved final inspection issued under a code edition which is at least 2 published code editions preceding the currently adopted building code; a building, structure or space that is undergoing a change of occupancy or use, ~~erected prior to the date of adoption of the appropriate code, or one for which a legal building permit has been issued.~~

(3) **Section 202; amend definition of Existing Structure as follows:**

Existing Structure- A building, structure, or space, with an approved final inspection issued under a code edition which is at least 2 published code editions preceding the currently adopted building code; a building, structure or space that is undergoing a change of occupancy or use. ~~erected prior to the date of adoption of the appropriate code, or one for which a legal building permit has been issued.~~

(4) **Section 306.1; add exceptions to read as follows:**

Exceptions:

1. Components of projects regulated by and registered with Architectural Barriers Division of Texas Department of Licensing and Regulation shall be deemed to be in compliance with the requirements of this chapter.
2. If the cost of the project is less than \$50K, it must comply with ICC A117.1, or it shall be reviewed and inspected to the Texas Accessibility Standards by a Registered Accessibility Specialist.

(5) **Section 306.2; add exception to read as follows:**

Exception: Projects subject to the Texas Accessibility Standards as adopted by the Texas Department of Licensing and Regulation are exempt from this section. Projects with a valuation of less than \$50,000.00 (which are subject to the Texas Accessibility Standards) may be accepted as equivalent to this section where reviewed and inspected to the Texas Accessibility Standards by a Texas Department of Licensing and Regulation Registered Accessibility Specialist when a plan review report and a compliant inspection report are provided to the building code official.

(6) **Section 306.5.1; add to read as follows:**

306.5.1 Complete change of occupancy. Where an entire building undergoes a change of occupancy, it shall comply with Section 305.4.1 and shall have all of the following accessible features:

1. Not fewer than one accessible building entrance.
2. Not fewer than one accessible route from an accessible building entrance to primary function areas.

- 3. Signage complying with Section 1111 of the International Building Code.
 - 4. Accessible parking, where parking is being provided.
 - 5. Not fewer than one accessible passenger loading zone, where loading zones are provided.
 - 6. Not fewer than one accessible route connecting accessible parking and accessible passenger loading zones to an accessible entrance.
 - 7. At least one accessible family or assisted use toilet room shall be provided in accordance with Chapter 11 of the International Building Code.
- Where it is technically infeasible to comply with the new construction standards for any of these requirements for a change of group or occupancy, Items 1 through 6 shall conform to the requirements to the maximum extent technically feasible.

Exception: The accessible features listed in Items 1 through 6 are not required for an accessible route to Type B units.

- (7) **Section 406.1; add a code reference to read as follows:**
406.1 Material. Existing electrical wiring and equipment undergoing repair shall be allowed to be repaired or replaced with like material, in accordance with the requirements of NFPA 70.
- (8) **Section 503.16; add exception to read as follows:**
Exception: Compliance with the Texas Accessibility Standards is not considered equivalent compliance for the purpose of enforcement of this code section.
- (9) **Section 504.1.2; change to read as follows:**
504.1.2 Existing fire escapes. Existing fire escapes shall continue to be accepted as a component in the means of egress in existing buildings only. Existing fire escapes shall be permitted to be repaired or replaced.
- (10) **Section 504.1.3; delete this section:**
~~**504.1.3 New fire escapes.** New fire escapes for existing buildings shall be permitted only where exterior stairways cannot be utilized due to lot lines limiting stairway size or due to the sidewalks, alleys, or roads at grade level. New fire escapes shall not incorporate ladders or access by windows.~~
- (11) **Section 702.4; add exception 2 to read as follows:**
 - 2. Operable windows with openings that are provided with window fall prevention devices that comply with ASTM F2090.
- (12) **Section 702.7; add a code reference to read as follows:**
702.7 Materials and methods. All new work shall comply with the materials and methods requirements in the International Building Code, International Energy Conservation Code, International Mechanical Code, National Electrical Code, and International Plumbing Code, as applicable, that specify material standards, detail of installation and connection, joints, penetrations, and continuity of any element, component, or system in the building.
- (13) **Section 803.1; add sentence to read as follows:**
For the purpose of fire sprinkler protection and fire alarm requirements included in this section, the work area shall be extended to include at least the entire tenant space or spaces bounded by walls capable of resisting the passage of smoke containing the subject work area, and if the work area

includes a corridor, hallway, or other exit access, then such corridor, hallway, or other exit access shall be protected in its entirety on that particular floor level.

(14) **Section 803.2.6; change exception to read as follows:**

Exception: Supervision is not required where the Fire Code does not require such for new construction. ~~for the following:~~

1. ~~Underground gate valve with roadway boxes.~~
2. ~~Halogenated extinguishing systems.~~
3. ~~Carbon dioxide extinguishing systems.~~
4. ~~Dry and wet chemical extinguishing systems.~~

~~Automatic sprinkler systems installed in accordance with NFPA 13R where a common supply main is used to supply both domestic and automatic sprinkler systems and a separate shutoff valve for the automatic sprinkler system is not provided~~

(15) **Section 803.3; change section to read as follows:**

803.3 Standpipes. Refer to Section 1103.6 of the Fire Code for retroactive standpipe requirements.
{Delete rest of Section 803.3.}

(16) **Section 804.2; delete Exception #1 as follows:**

Exceptions: ~~1. Where the work area and the means of egress serving it complies with NFPA101.~~

- 2. [Remain unchanged]

(17) **Section 804.4.1.2; change to read as follows:**

804.4.1.2 Fire Escapes required. For other than Group I-2, where more than one exit is required, an ~~existing or newly constructed~~ fire escape complying with section 805.3.1.2.1 shall be accepted as providing one of the required means of egress.

(18) **Section 804.4.1.2.1; change to read as follows:**

804.4.1.2.1 Fire Escape access and details - ...

1. [Remain unchanged]
2. Access to a ~~new~~ fire escape shall be through a door...
3. ~~Newly constructed fire escapes shall be permitted only where exterior stairways cannot be utilized because of lot lines limiting the stairway size or because of the sidewalks, alleys, or roads at grade level.~~
4. [Remain unchanged]
5. In all buildings of Group E occupancy up to and including the 12th grade, buildings of Group I occupancy, ~~rooming~~ boarding houses, and childcare centers, ladders of any type are prohibited on fire escapes used as a required means of egress.

(19) **Section 804.6.2 Transoms; add language to read as follows:**

804.6.2 Transoms. In all buildings of Group B, E, I-1, I-2, R-1 and R-2 occupancies, ...[Remainder unchanged]

(20) **Section 904.1; add sentence to read as follows:**

For the purpose of fire sprinkler protection and fire alarm requirements included in this section, the work area shall be extended to include at least the entire tenant space or spaces bounded by walls containing the subject work area, and if the work area includes a corridor, hallway, or other exit access, then such corridor, hallway, or other exit access shall be protected in its entirety on that particular floor level.

(21) **Section 904.1.1; change to read as follows:**

904.1.1 High-rise buildings. An automatic sprinkler system shall be provided in work areas of where the high-rise buildings. has a sufficient municipal water supply for the design and installation of an automatic sprinkler system at the site.

(22) **Section 1011.2.1: change to read as follows:**

1011.2.1 Fire sprinkler system. Where a change in occupancy classification occurs or where there is a *change of occupancy* within a space where there is a different fire protection system threshold requirement in Chapter 9 of the *International Building Code* that requires an automatic fire sprinkler system to be provided based on the new occupancy in accordance with Chapter 9 of the *International Building Code*. The installation of the automatic sprinkler system shall be required within the area of the *change of occupancy* and areas of the building not separated horizontally and vertically from the *change of occupancy* by one of the following:

1. ~~Nonrated permanent partition and horizontal assemblies.~~
2. ~~Fire partition.~~
3. ~~Smoke partition.~~
4. ~~Smoke barrier.~~
5. Fire barrier, as required by Section 707 of the IBC.
6. Fire wall, as required by Section 706 of the IBC.

Exceptions: [Remain unchanged.]

(23) **Section 1102.2.1; add to read as follows:**

1102.2.1 Fire Separations. Where fire separations are utilized to allow additions without exceeding the allowable area provisions of Chapter 5 of the IBC for either the existing building or the new addition, the decreased clear space where the two buildings adjoin shall be accounted for in such calculation relative to the allowable frontage increase.

(24) **Section 1301.3.2; change to read as follows:**

1301.3.2 Compliance with other codes. Buildings that are evaluated in accordance with this section shall comply with the International Fire Code. ~~and International Property Maintenance Code.~~

(25) **Section 1509; delete Section 1509.1 through 1509.5 and add Section 1509.1 to read as follows:**

1509.1 When required. An approved water supply for fire protection, either temporary or permanent, shall be made available as soon as combustible material arrives on the site. The water supply design and the timing of the water supply installation relative to building construction shall comply with the adopted Fire Code.”

SECTION 10. PENALTY CLAUSE

Any person, firm, association of persons, company, corporation, or their agents, its servants, or employees violating or failing to comply with any of the provisions of this article shall be fined, upon conviction, not less than one dollar (\$1.00) nor more than two thousand dollars (\$2,000.00), and each day any violation of noncompliance continues shall constitute a separate and distinct offense. The penalty provided herein shall be cumulative of other remedies provided

by State Law, and the power of injunction as provided in Texas Local Government Code 54.012 and as may be amended, may be exercised in enforcing this article whether or not there has been a complaint filed.

**SECTION 11.
CUMULATIVE CLAUSE**

This ordinance shall be cumulative of all provisions of ordinances and of the Code of Ordinances of the City of Burleson, Texas, as amended, except where the provisions of this ordinance are in direct conflict with the provisions of such ordinances and such Code, in which event the conflicting provisions of such ordinances and such Code are hereby repealed.

**SECTION 12.
SEVERABILITY CLAUSE**

It is hereby declared to be the intention of the City Council that the phrases, clauses, sentences, paragraphs, and sections of this ordinance are severable, and if any phrase, clause, sentence, paragraph or section of this ordinance shall be declared unconstitutional by the valid judgment of any court of competent jurisdiction, such unconstitutionality shall not affect any of the remaining phrases, clauses, sentences, paragraphs and sections of this ordinance, since the same would have been enacted by the City Council without the incorporation in this ordinance of any such unconstitutional phrase, clause, sentence, paragraph or section.

**SECTION 13.
SAVINGS CLAUSE**

All rights and remedies of the City of Burleson, Texas, are expressly saved as to any and all violations of the provisions of any ordinances affecting building construction, building codes, fire codes, plumbing codes, mechanical codes, electrical codes, residential codes, energy conservation codes, fuel gas codes, permit issuance, or contractor registration within the City which have accrued at the time of the effective date of this ordinance; and, as to such accrued violations and all pending litigation, both civil and criminal, whether pending in court or not, under such ordinances, same shall not be affected by this ordinance but may be prosecuted until final disposition by the courts.

**SECTION 14.
RECITALS INCORPORATED**

The findings and recitals set forth above in the preamble of this ordinance are incorporated into the body of this ordinance as if fully set forth herein.

**SECTION 15.
OPEN MEETING**

It is hereby officially found and determined that the meetings at which this ordinance is passed is open to the public and that public notice of the time, place, and purpose of said meetings was given as required by law.

**SECTION 16.
EFFECTIVE DATE**

This ordinance shall be in full force and effect from and after its passage and publication as required by law, and it is so ordained.

AND IT IS SO ORDAINED.

PASSED AND APPROVED the _____ day of _____, 20_____.

First Reading: the _____ day of _____, 20_____.

Final Reading: the _____ day of _____, 20_____.

Chris Fletcher, Mayor
City of Burleson, Texas

ATTEST:

APPROVED AS TO FORM:

Amanda Campos, City Secretary

E. Allen Taylor, Jr., City Attorney