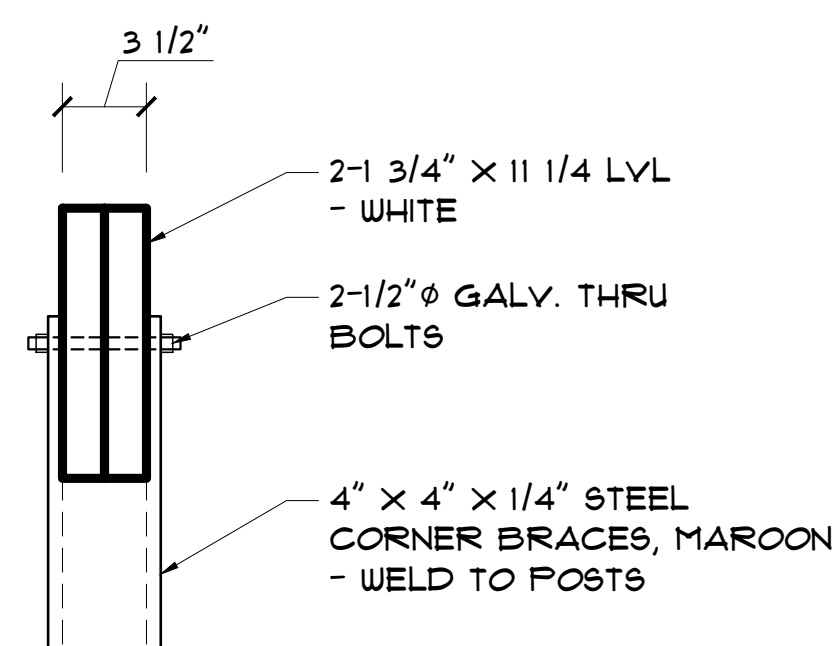
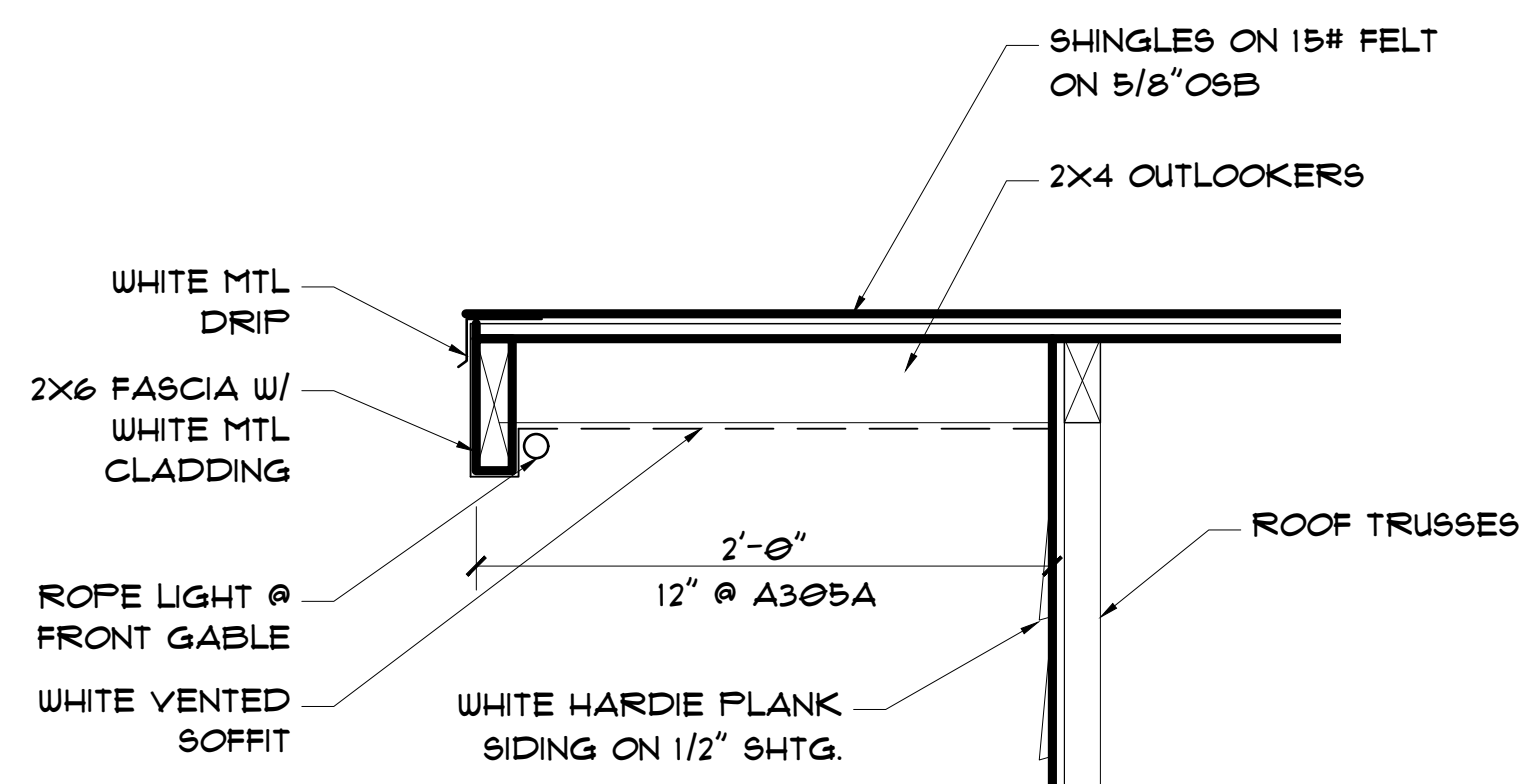


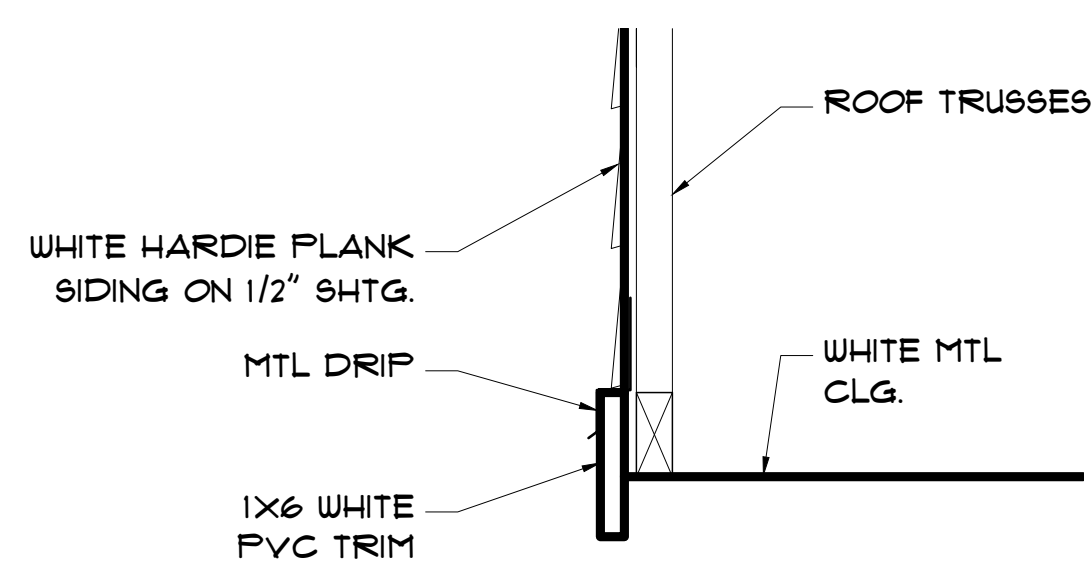
A307 WD. BEAM BRACKET
SCALE: 1 1/2" = 1'-0"



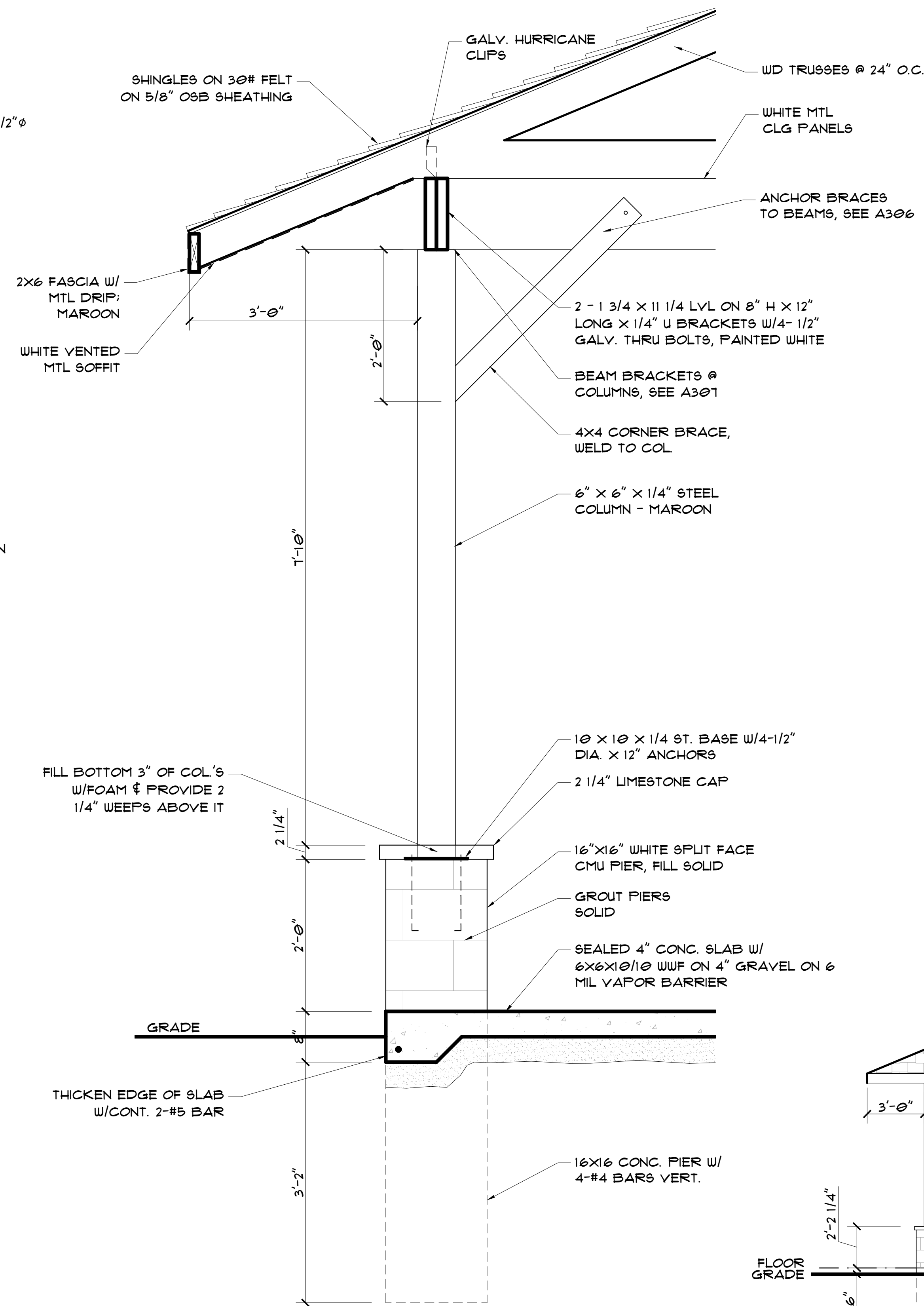
A306 BRACE/BM. ANCHORS
SCALE: 1 1/2" = 1'-0"



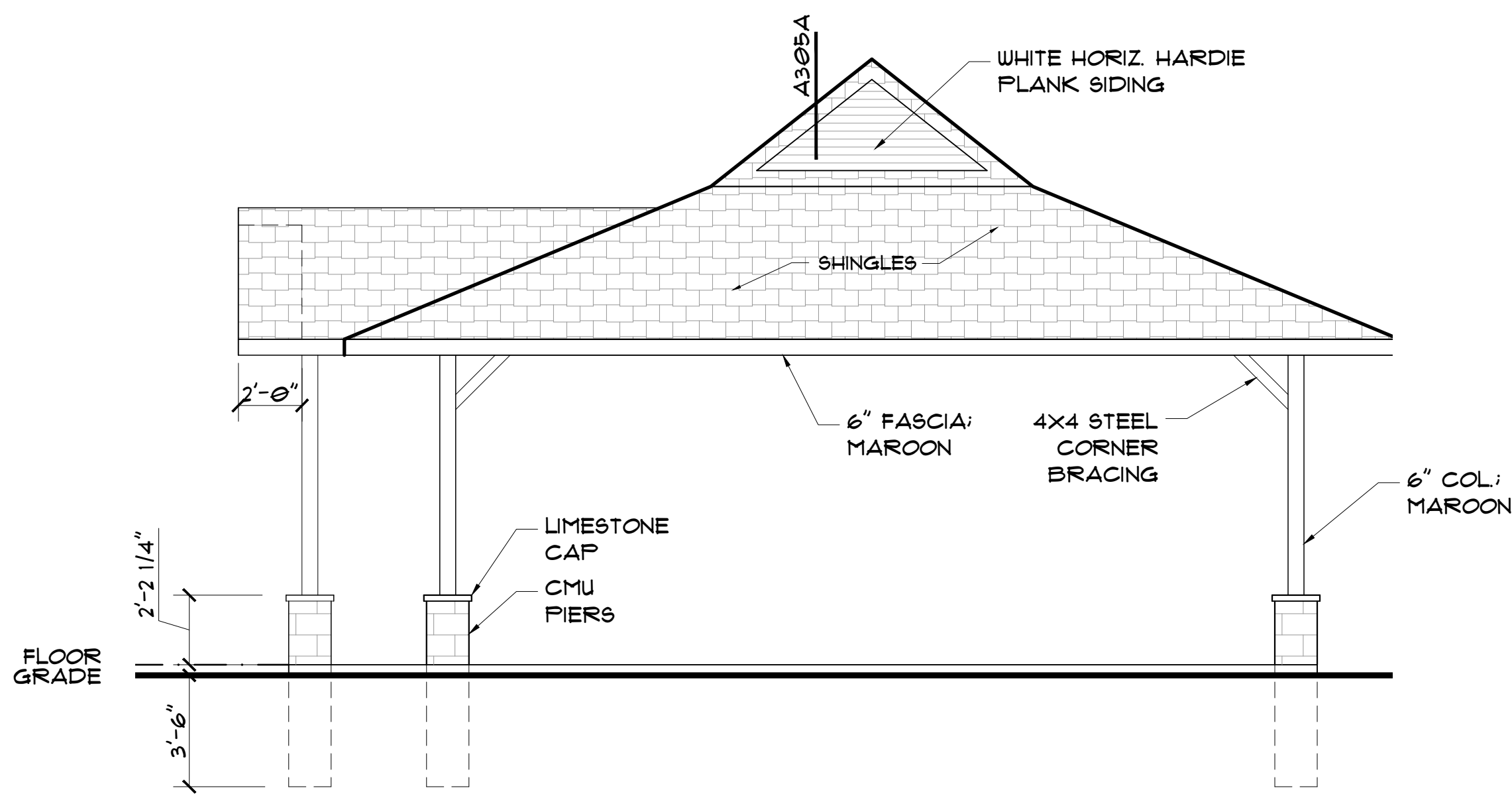
A305 TYP. SECTION
SCALE: 1 1/2" = 1'-0"



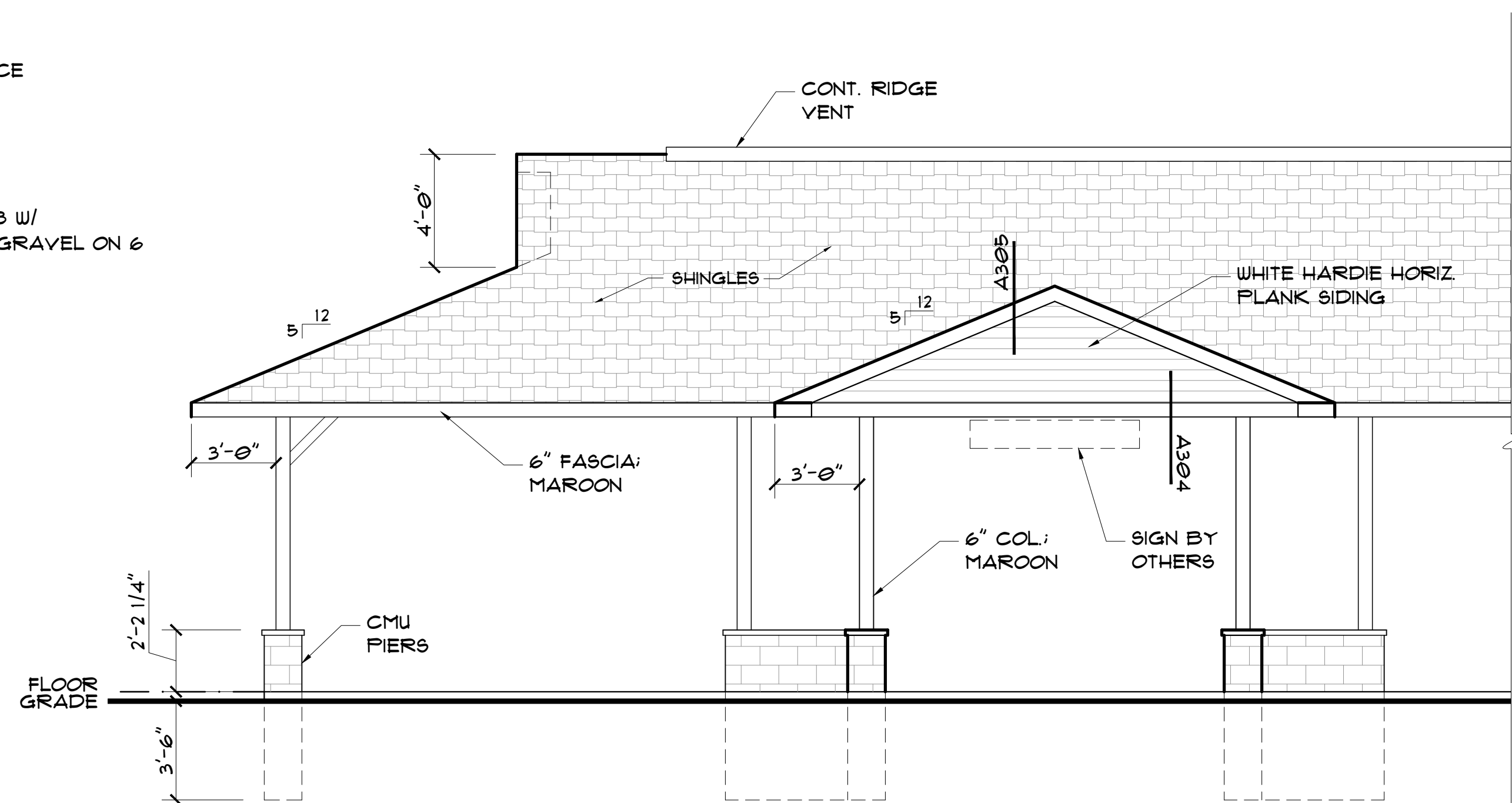
A304 TYP. SECTION
SCALE: 1 1/2" = 1'-0"



A303 TYP. SECTION
SCALE: 1" = 1'-0"



A302 SOUTH ELEVATION
SCALE: 1/4" = 1'-0"



A301 WEST ELEVATION
SCALE: 1/4" = 1'-0"

PROJECT NUMBER: B003	FILE NAME:	DATE ISSUED:
DRAWN BY:	APPROVED:	AS SHOWN
DRAWING TITLE:	DRAWING SCALE:	AS SHOWN
PROFESSIONAL SEAL:		
SHEET NUMBER:		
A3 OF X		

NEW FACILITY FOR:
VICTORY PARK PAVILION
902 VICTORY STREET
BUCHANAN, MICHIGAN 49107

barker/nestor
ARCHITECTURE + DESIGN
228 S. FRONT STREET
DOWNTOWN, MICHIGAN 49007

kevin barker
KBARKER2@GMAIL.COM 847.867.6503