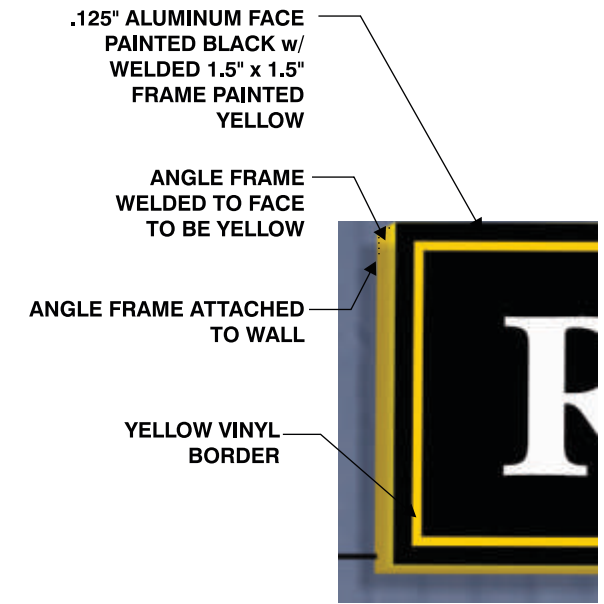


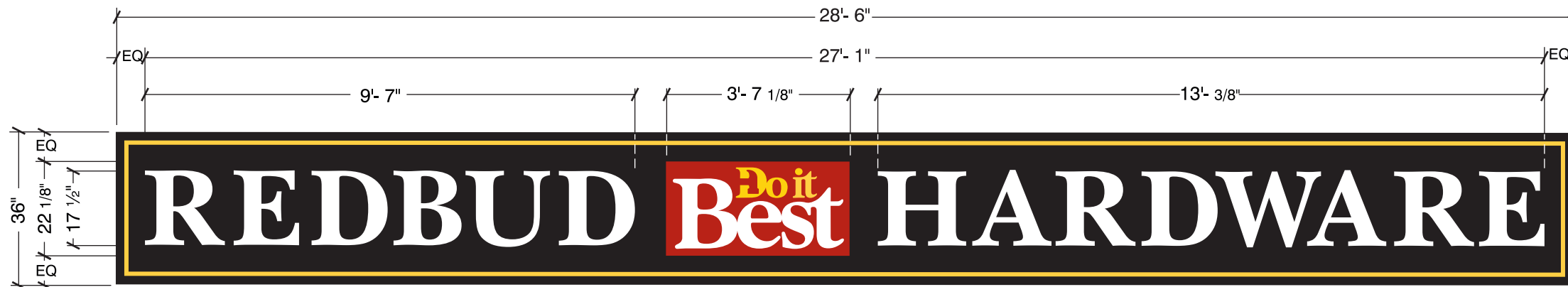


**A** PROPOSED STOREFRONT  
NTS

\* CENTER SIGN TO STOREFRONT DOOR AND VERTICALLY IN AREA ABOVE AWNING



**SIDE VIEW:**  
NTS



**A** NON-ILLUMINATED S/F WALL SIGN w/ 1 1/2" ANGLE FRAME & VINYL GRAPHICS

SCALE: 3/8" = 1'-0"  
SQ FT: 85.5

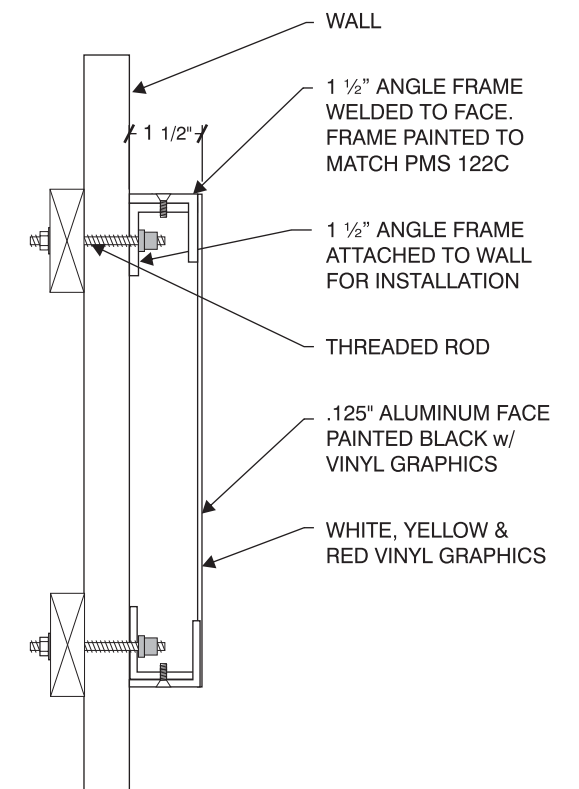
QTY: 1 S/F SIGN

**FACE**

.125" ALUMINUM FACE PAINTED BLACK w/  
VINYL GRAPHICS APPLIED 1st SURFACE.  
VINYL COLORS TO MATCH PMS 2350C RED,  
PMS 122C YELLOW, WHITE & BLACK.  
1 1/2" ANGLE FRAME WELDED TO FACE AND PAINTED  
TO MATCH PMS 122C YELLOW.

**MOUNTING**

1 1/2" ANGLE ATTACHED TO WALL w/ NON-CORROSIVE  
HARDWARE APPROPRIATE FOR WALL MATERIAL.  
FACE MOUNTED FLUSH TO STOREFRONT w/ COUNTERSUNK  
SCREWS THROUGH WELDED ANGLE ON FACE.



**SECTION VIEW**  
NTS



SALES: SEAN DENISON  
PM:  
ART: CAD 3.16.21

DWG # 2101068-02  
REVISION

LOCATION: REDBUD HARDWARE  
266 E FRONT ST.  
BUCHANAN, MI 49107



**B** PROPOSED REDBUD TRAIL ELEVATION SIGNAGE  
NTS



**B** ONE (1) S/F ALUMINUM WALL SIGN  
SCALE: 1 1/2" = 1'- 0"  
SQ FT: 4.17

QTY: 1 S/F SIGN

**FACES**  
ALUMINUM FACE PAINTED BLACK WITH FIRST SURFACE OPAQUE VINYL GRAPHICS. (COLORS TO MATCH PMS 2350C RED & PMS 122C YELLOW & WHITE.)  
WAGNER MUTUAL ZIP TRACK GLUED TO FACES w/ TWO (2) .060 LEXAN 'SLIDE IN' CHANGEABLE PIECES .060 LEXAN CHANGEABLE PIECE TO BE COVERED WITH BLACK VINYL, FRONT AND BACK SIDE. WHITE VINYL TEXT, 'OPEN' FOR SIDE ONE(1) AND 'CLOSED' FOR SIDE TWO (2) APPLIED FIRST SURFACE,

**MOUNTING**  
FACE MOUNTED FLUSH TO STOREFRONT FACADE THRU FACE w/ HARDWARE APPROPRIATE FOR WALL MATERIAL.