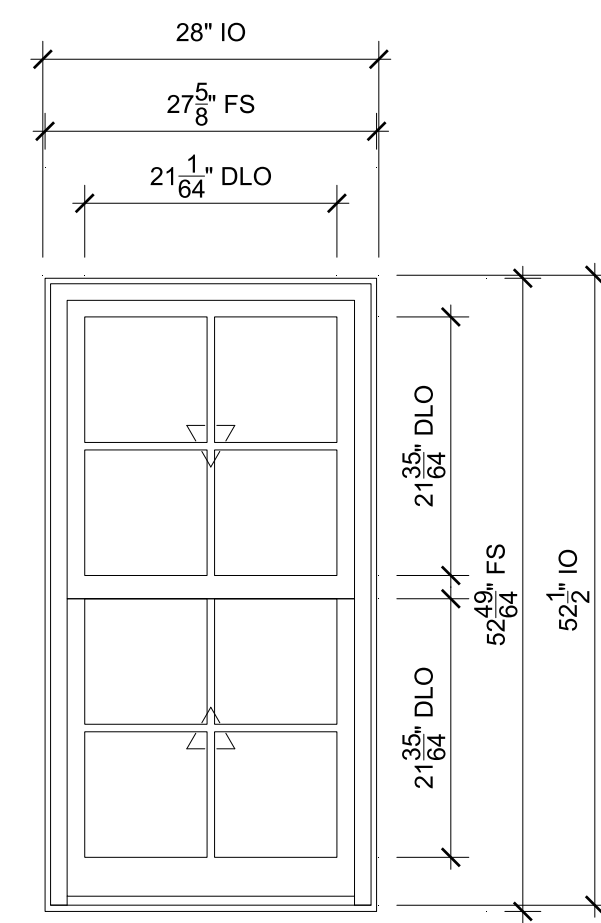


**ORDERING PRODUCTS WITH REFERENCE TO SHOP DRAWINGS:**  
 Before ordering the Marvin Window and Door products illustrated within these shop drawings, a copy of these drawings accompanied by an approved signature of the purchaser must be returned to the Architectural Department at Marvin Windows & Doors, P.O. Box 100, Grand Rapids, Michigan 49503. The drawings are not to be used for any other purpose without the approval of the Architectural Department. Marvin assumes no responsibility in guaranteeing product coordination with the drawings.

REVISION:  
 CREATED: 11/13/2024

PROJ/JOB: HARBORSIDE HOLDINGS / 360 HOPE ST.  
 DIST/DEALER: HUMPHREYS WINDOW & DOOR DESIGN GLRY-GO  
 DRAWN: MARK SHUMAN  
 QUOTE#: UYQZELB  
 PK VERSION: 0004.12.00

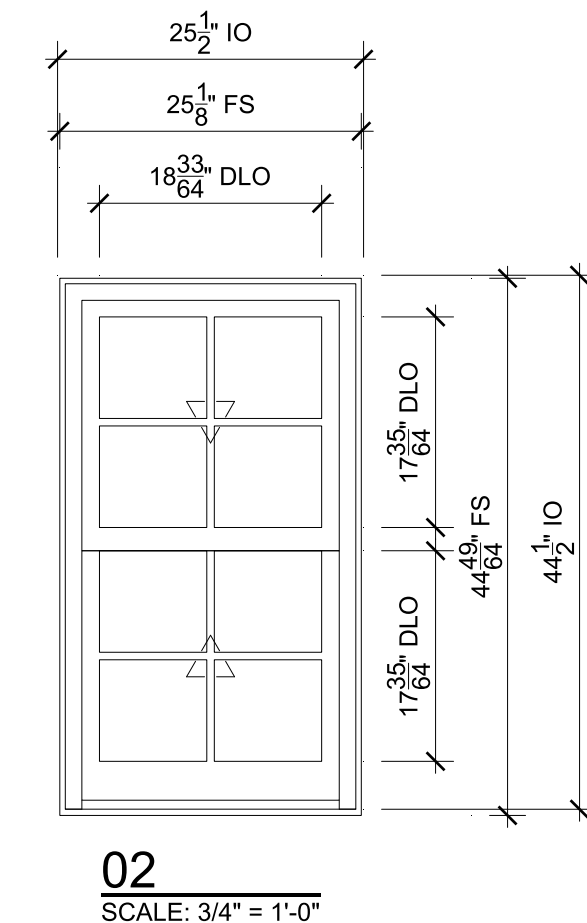


**01**  
 SCALE: 3/4" = 1'-0"  
 Head  
 Jamb  
 Sill  
 Divided Lite  
 Checkrail

**SPECIFICATIONS**

Line #: 1  
 Qty: 10  
 Mark Unit: None  
 Product Line: Ultimate  
 Unit Description: Double Hung Insert G2  
 Rough Opening: 28" X 52 1/2"  
 Frame Size: 27 5/8" X 52 49/64"  
 Unit Type: Double Hung Insert G2  
 Call Number: None  
 Jamb Depth: 3 1/4

FOR DESIGN INTENT ONLY, NOT FOR MANUFACTURE.

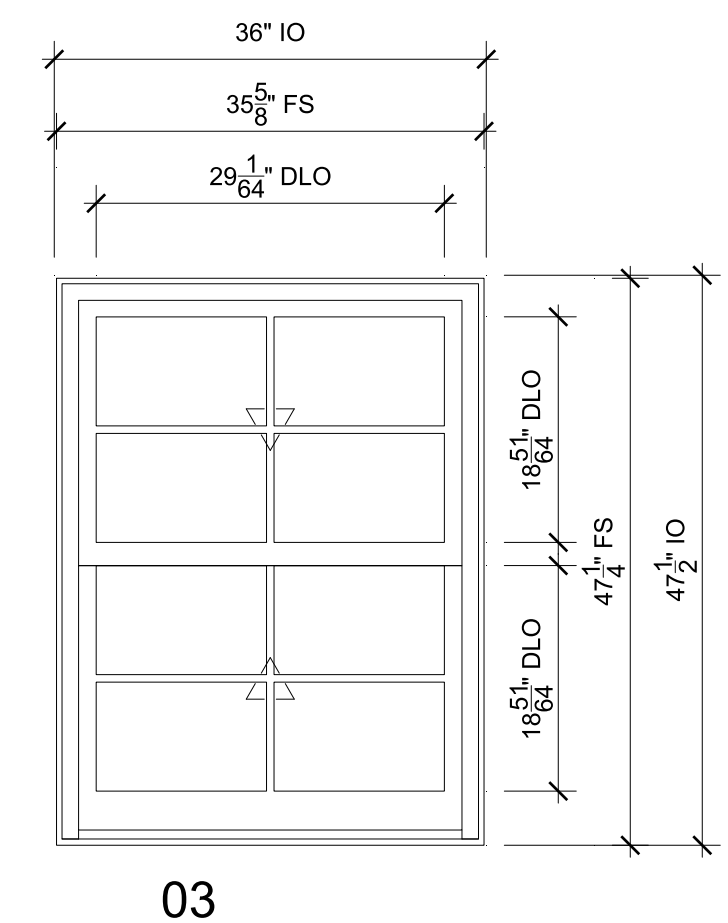


**02**  
 SCALE: 3/4" = 1'-0"  
 Head  
 Jamb  
 Sill  
 Divided Lite  
 Checkrail

**SPECIFICATIONS**

Line #: 2  
 Qty: 1  
 Mark Unit: None  
 Product Line: Ultimate  
 Unit Description: Double Hung Insert G2  
 Rough Opening: 25 1/2" X 44 1/2"  
 Frame Size: 25 1/8" X 44 49/64"  
 Unit Type: Double Hung Insert G2  
 Call Number: None  
 Jamb Depth: 3 1/4

FOR DESIGN INTENT ONLY, NOT FOR MANUFACTURE.

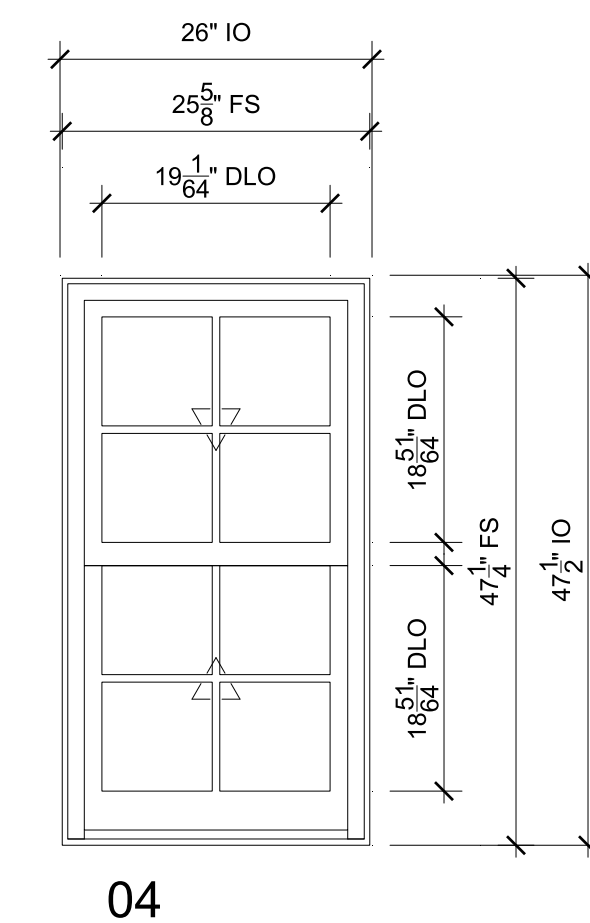


**03**  
 SCALE: 3/4" = 1'-0"  
 Head  
 Jamb  
 Sill  
 Divided Lite  
 Checkrail

**SPECIFICATIONS**

Line #: 3  
 Qty: 3  
 Mark Unit: None  
 Product Line: Ultimate  
 Unit Description: Double Hung Insert G2  
 Rough Opening: 36" X 47 1/2"  
 Frame Size: 35 5/8" X 47 1/4"  
 Unit Type: Double Hung Insert G2  
 Call Number: None  
 Jamb Depth: 3 1/4

FOR DESIGN INTENT ONLY, NOT FOR MANUFACTURE.

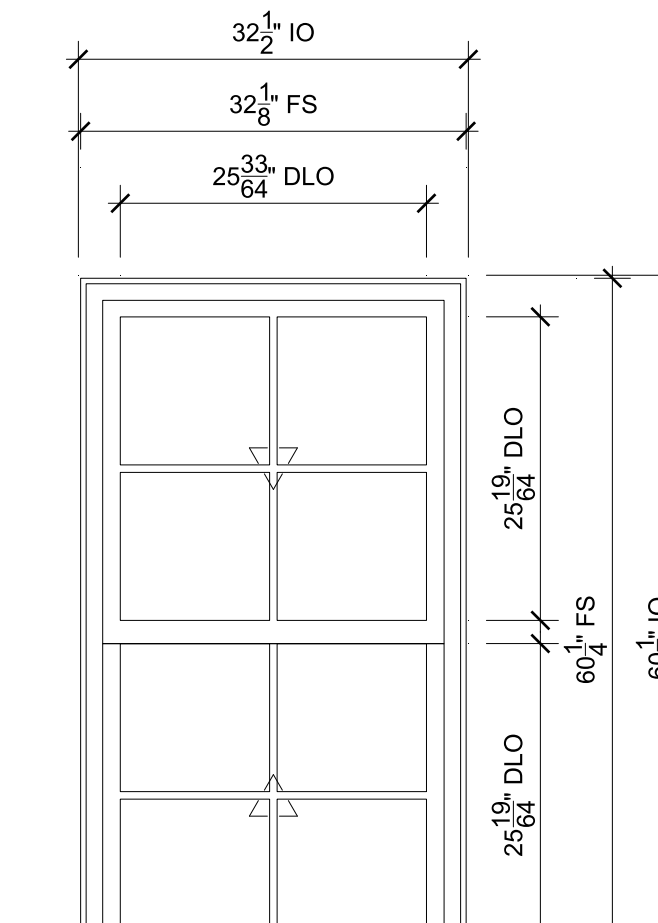


**04**  
 SCALE: 3/4" = 1'-0"  
 Head  
 Jamb  
 Sill  
 Divided Lite  
 Checkrail

**SPECIFICATIONS**

Line #: 4  
 Qty: 1  
 Mark Unit: None  
 Product Line: Ultimate  
 Unit Description: Double Hung Insert G2  
 Rough Opening: 26" X 47 1/2"  
 Frame Size: 25 5/8" X 47 1/4"  
 Unit Type: Double Hung Insert G2  
 Call Number: None  
 Jamb Depth: 3 1/4

FOR DESIGN INTENT ONLY, NOT FOR MANUFACTURE.

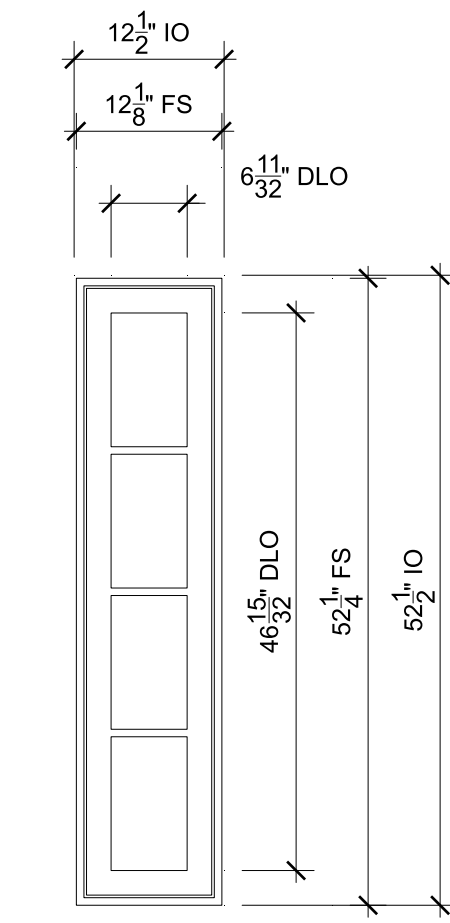


**05**  
 SCALE: 3/4" = 1'-0"  
 Head  
 Jamb  
 Sill  
 Divided Lite  
 Checkrail

**SPECIFICATIONS**

Line #: 5  
 Qty: 1  
 Mark Unit: None  
 Product Line: Ultimate  
 Unit Description: Double Hung Insert G2  
 Rough Opening: 32 1/2" X 60 1/2"  
 Frame Size: 32 1/8" X 60 1/4"  
 Unit Type: Double Hung Insert G2  
 Call Number: None  
 Jamb Depth: 3 1/4

FOR DESIGN INTENT ONLY, NOT FOR MANUFACTURE.

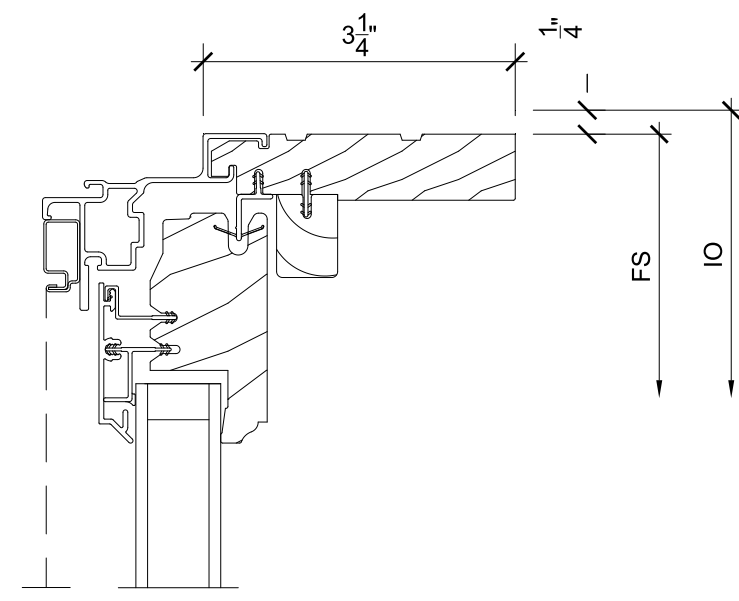


**06**  
 SCALE: 3/4" = 1'-0"  
 Head  
 Jamb  
 Sill  
 Divided Lite

**SPECIFICATIONS**

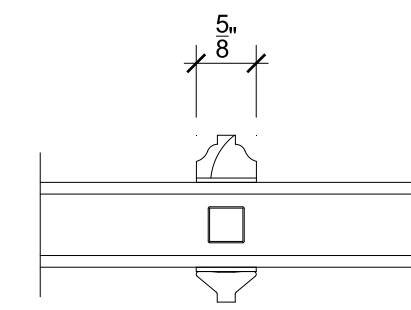
Line #: 6  
 Qty: 1  
 Mark Unit: None  
 Product Line: Ultimate  
 Unit Description: Casement Narrow Frame  
 Rough Opening: 12 1/2" X 52 1/2"  
 Frame Size: 12 1/8" X 52 1/4"  
 Unit Type: Casement Narrow Frame, Stationary  
 Call Number: None  
 Jamb Depth: 2 3/16"

FOR DESIGN INTENT ONLY, NOT FOR MANUFACTURE.



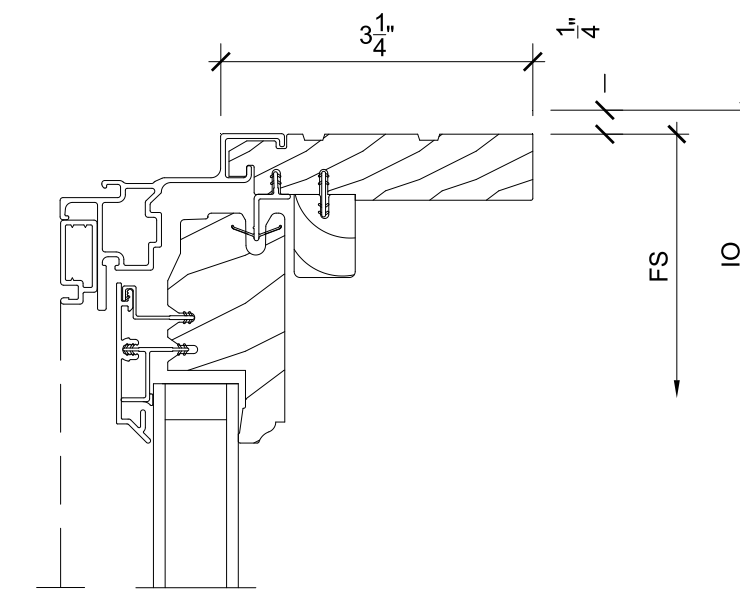
1  
2 Head

SCALE: 6" = 1'-0"



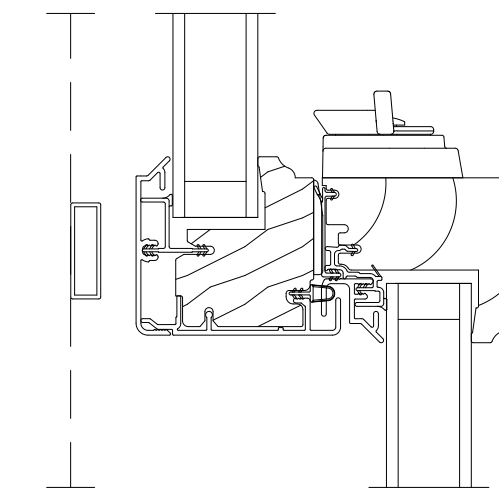
4  
2 Divided Lite

SCALE: 6" = 1'-0"



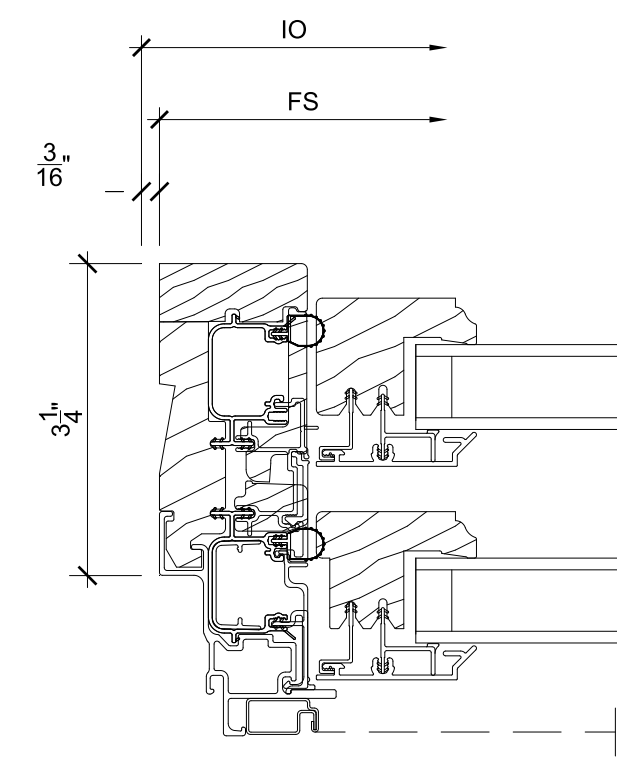
7  
2 Head

SCALE: 6" = 1'-0"



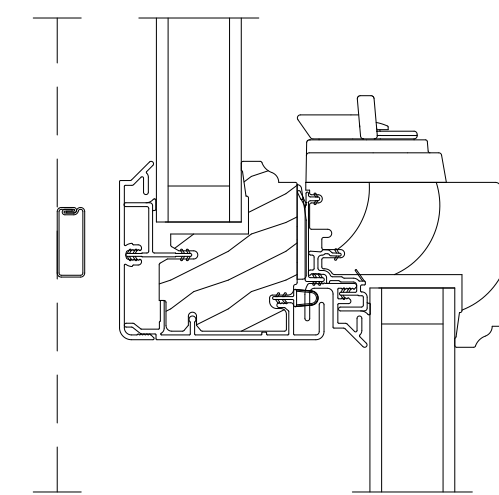
10  
2 Checkrail

SCALE: 6" = 1'-0"



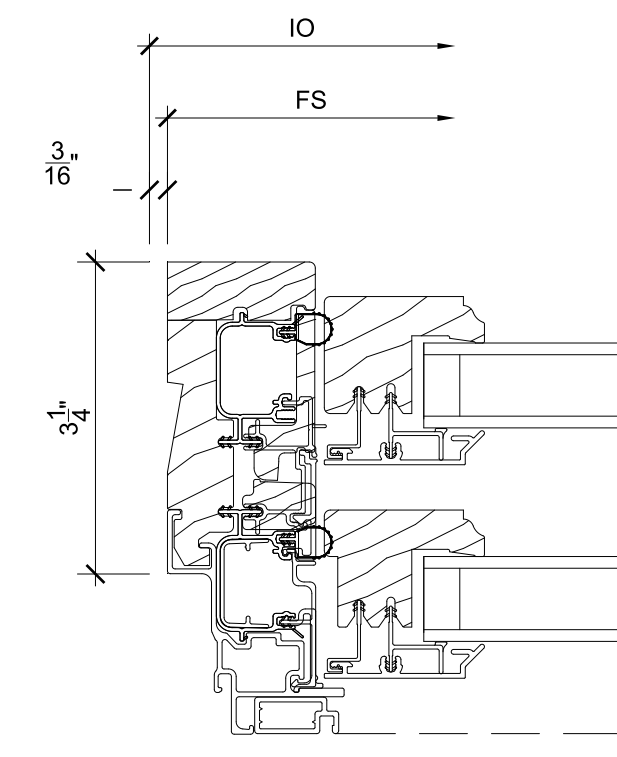
2  
2 Jamb

SCALE: 6" = 1'-0"



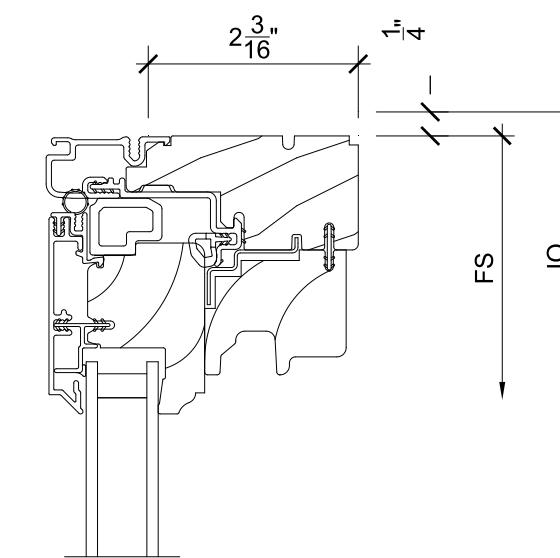
5  
2 Checkrail

SCALE: 6" = 1'-0"



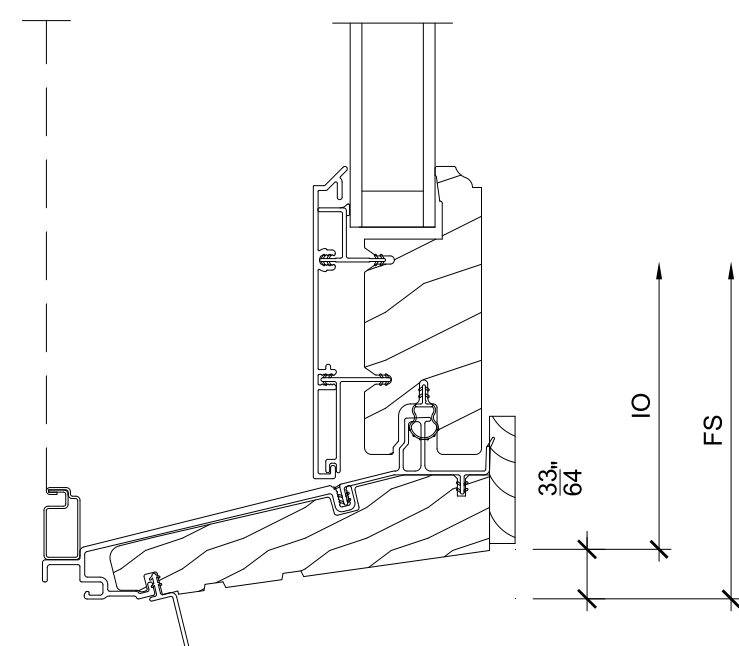
8  
2 Jamb

SCALE: 6" = 1'-0"



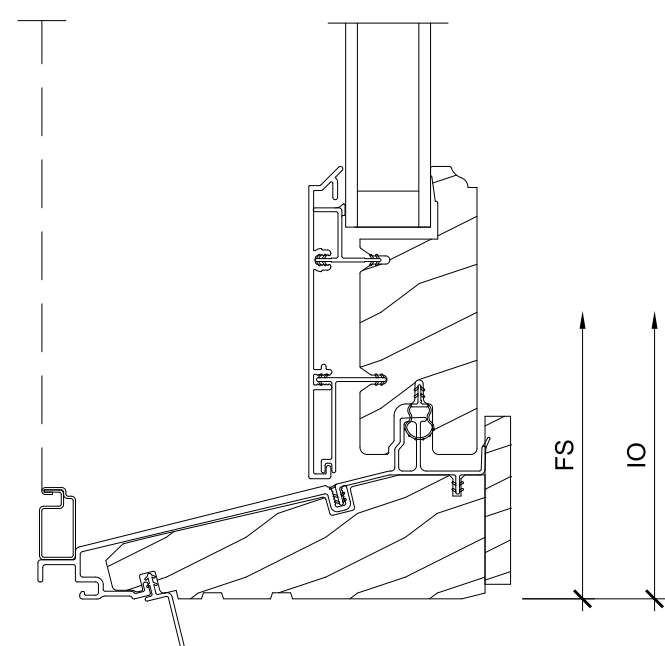
11  
2 Head

SCALE: 6" = 1'-0"



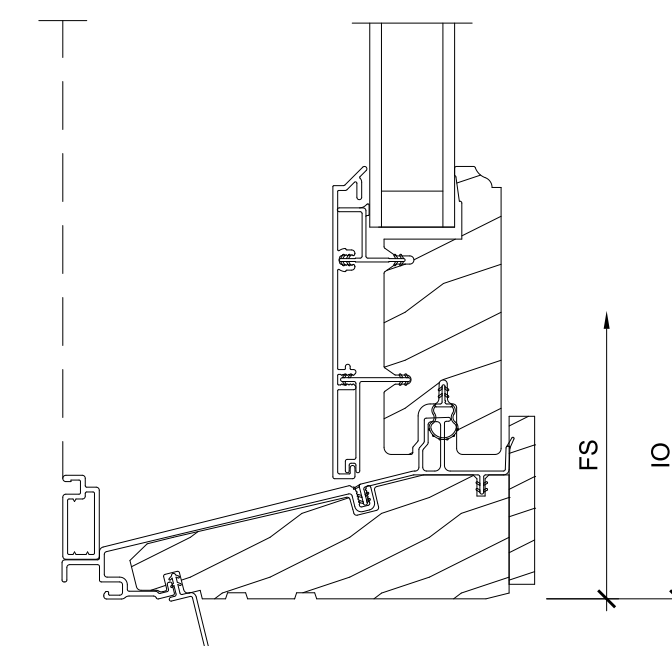
3  
2 Sill

SCALE: 6" = 1'-0"



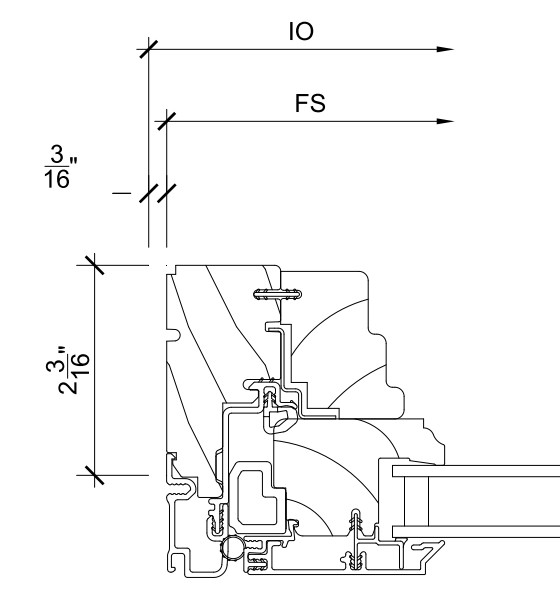
6  
2 Sill

SCALE: 6" = 1'-0"



9  
2 Sill

SCALE: 6" = 1'-0"



12  
2 Jamb

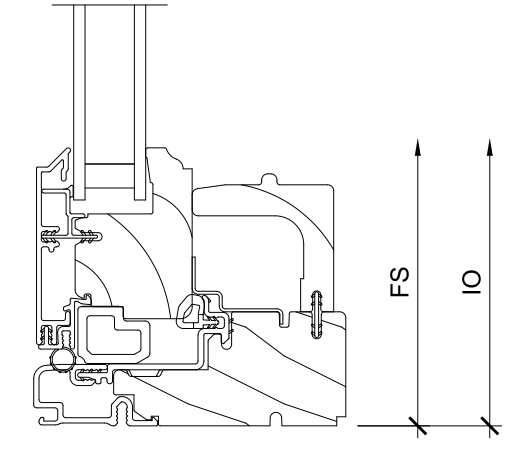
SCALE: 6" = 1'-0"

**ORDERING PRODUCTS WITH REFERENCE TO SHOP DRAWINGS:**  
Before ordering the Marvin Window and Door products illustrated within these shop drawings, a copy of these drawings accompanied by an approved signature of the purchaser must be returned to the Architectural Department, Marvin Windows & Doors, P.O. Box 100, Grand Rapids, Michigan 49503. The purchaser must also return a copy of these drawings to the approved shop drawings. Marvin Windows and Doors assumes no responsibility in guaranteeing product coordination with the drawings.

PROJ/JOB: HARBORSIDE HOLDINGS / 360 HOPE ST.  
DIST/DEALER: HUMPHREYS WINDOW & DOOR DESIGN GLRY-GO  
DRAWN: MARK SHUMAN  
QUOTE#: UYQZELB  
PK VERSION: 0004.12.00  
CREATED: 11/13/2024  
REVISION:

**ORDERING PRODUCTS WITH REFERENCE TO SHOP DRAWINGS:**  
 Before ordering the Marvin Window and Door products illustrated within these shop drawings, a copy of these drawings accompanied by an approved signature of the purchaser must be returned to the Architectural Department, Marvin Windows & Doors, P.O. Box 100, Grand Rapids, Michigan 49503. The purchaser must also be sure to refer to the instructions to the approved shop drawings. Marvin Windows and Doors assumes no responsibility in guaranteeing product coordination with the drawings.

PROJ/JOB: HARBORSIDE HOLDINGS / 360 HOPE ST.  
 DIST/DEALER: HUMPHREYS WINDOW & DOOR DESIGN GLRY-GO  
 DRAWN: MARK SHUMAN  
 QUOTE#: UYQZELB  
 PK VERSION: 0004.12.00  
 CREATED: 11/13/2024  
 REVISION:

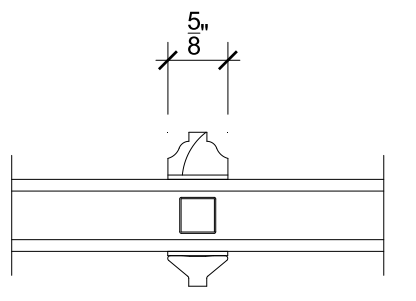


1  
3 Sill SCALE: 6" = 1'-0"

4  
3 NOT USED SCALE: 6" = 1'-0"

7  
3 NOT USED SCALE: 6" = 1'-0"

10  
3 NOT USED SCALE: 6" = 1'-0"



2  
3 Divided Lite SCALE: 6" = 1'-0"

5  
3 NOT USED SCALE: 6" = 1'-0"

8  
3 NOT USED SCALE: 6" = 1'-0"

11  
3 NOT USED SCALE: 6" = 1'-0"

3  
3 NOT USED SCALE: 6" = 1'-0"

6  
3 NOT USED SCALE: 6" = 1'-0"

9  
3 NOT USED SCALE: 6" = 1'-0"

12  
3 NOT USED SCALE: 6" = 1'-0"