

19 Byfield Street, Product Info & Photos

Roofing – GAF Shingle Products

Specifications

(All Dimensions Are Nominal)

Pieces/Square	79
Bundles/Square	3
Nails/Square¹	316
Exposure	5" (127 mm)
Dimensions	12"x 36" (English); 13 1/4"x 39 3/8" (Metric)

Applicable Standards & Protocols

- Fire - UL Listed to ANSI/UL 790 Class A
- Wind - ASTM D7158, Class H
- Wind - ASTM D3161, Class F
- National - ASTM D3018, Type 1
- National - ASTM D3462**
- National - Classified in accordance with ICC-ES AC438
- Regional - Miami-Dade County Product Control Approved***
- Regional - State of Florida Approved
- Regional - Texas Department of Insurance Listed
- Regional - ICC-ES ESR- 1475****
- Regional - ICC-ES ESR- 3267

Royal Sovereign

Weathered Gray



PRODUCT INFORMATION SHEET

Royal Sovereign® Shingles

English: (12" X 36" Shingles)

Beauty And Performance Meet Affordability



PRODUCT INFORMATION

"Professional contractors depend on Royal Sovereign® Shingles"

Royal Sovereign® Shingles Offer You These Great Benefits:

- **Proven Quality** . . . Over 10 billion Royal Sovereign® Shingles have been installed in North America—enough to circle the Earth more than 200 times if they were laid end to end!
- **Advanced Protection® Shingle Technology** . . . Reduces the use of precious natural resources while providing excellent protection for your home (visit gaf.com/aps to learn more)
- **Looks Great** . . . Color Lock™ Ceramic Firing (granules) helps maintain the true shingle color
- **Excellent Wind Performance** Meets ASTM D3161, Class F and ASTM 7158, Class H — the highest wind ratings possible under these test methods
- **Excellent Performance** . . . Extra-strong Micro Weave™ Core provides long life and durability
- **Highest Fire Rating** . . . Class A fire rating from Underwriters Laboratories
- **Great For Resale** . . . A new roof may increase your home's resale value
- **Peace Of Mind** . . . 25-year ltd. transferable warranty with SmartChoice® Protection (non-prorated material and installation labor coverage) for the first five years¹

¹See *GAF Shingle & Accessory Ltd. Warranty* for complete coverage and restrictions.

COLORS/AVAILABILITY

- **COLORS:** Ash Brown, Autumn Brown, Charcoal, Cypress Tan, Golden Cedar, Nickel Gray, Russet Red, Sandrift, Silver Lining, Slate, Summer Sage, Weathered Gray, and White
- **REGIONAL AVAILABILITY:**² Northeast, Southeast, Southwest, and Central Areas

²See http://www.gaf.com/Roofing/Residential/Products/Shingles/3_Tab/Royal_Sovereign for color availability in your area

APPLICABLE STANDARDS & PROTOCOLS

- UL 790, Class A
- Miami-Dade County Product Control Approved 12-1127.03
- Florida Building Code Approved FL10124-R12
- UL 997 modified to 110 mph
- ASTM D7158, Class H
- ASTM D3161, Class F
- ASTM D3018, Type 1
- ASTM D3462
- ICC ESR-1475, ESR-3267*
- Texas Department of Insurance

Effective 7/1/08, existing NYC MEA's may be used but are no longer required.

*Obtained ESR 3267 evaluation from ICC Evaluation Services based on compliance with the requirements of AC438, an acceptance criteria established by ICC Evaluation Services to evaluate asphalt shingles that contains performance tests in addition to those required by the building code. (ICC Evaluation Services provides technical evaluations of building products that directly address the issue of code compliance. Building inspectors use these evaluation reports to help determine code compliance and enforce building regulations.)

**When installed properly, this product will help reduce energy costs. Actual savings will vary based on geographic location and individual building characteristics. For more information, contact GAF Technical Services at 1-800-ROOF-411, visit gaf.com, or call 1-888-STAR-YES.

PRODUCT/SYSTEM SPECIFICS†

- Fiberglass Asphalt Construction
- Dimensions (approx.): 12" x 36"
- Exposure: 5"
- Bundles/Square: 3
- Pieces/Square: 79
- Nails/Square: 316 (474 where 6 nails per shingle is required)††
- StainGuard® Protection: Yes (Location dependent; contact Technical Services at 800.766.3411)
- Ridge Cap: Royal Sovereign® Shingle
- Starter: Pro-Start®; WeatherBlocker™

†Refer to complete published installation instructions.

††Required by some local codes.

INSTALLATION

Detailed installation instructions are provided on the inside of each bundle wrapper of Royal Sovereign® Shingles. Installation instructions may also be obtained at www.gaf.com.

Windows & Doors – Marvin Windows & Doors

Marvin Elevate

French Swinging Doors

Ultrex Fiberglass Exterior (Painted White)/ Pine Wood Interior (Painted White)



Double Hung & Transom Windows

Ultrex Fiberglass Exterior (Stone White)/ Pine Wood Interior (Painted White)



Unit Features

Elevate Double Hung: ELDH

Elevate Double Hung Picture: ELDH P

Elevate Double Hung Transom: ELDH TR

Elevate Double Hung IZ3: ELDH IZ3

Elevate Double Hung Picture IZ3: ELDH P IZ3

For applicable certification and code information, refer to the Introduction and Product Performance chapter.

Frame and Sash:

- The frame and sash exteriors are made of Ultrex® and meets all the requirements of AAMA 624-10.
- Exterior colors: Stone White, Pebble Gray, Bronze, Cashmere, Gunmetal, or Ebony. Frame and sash color may be selected independently.
- The interior is non finger-jointed pine, kiln dried to a moisture content of 6-12% at time of fabrication. Water-repellent, preservative treated.
- Interior wood is available as Pine bare wood or factory-applied white, clear, and designer black interior finish. Frame and sash color may be selected independently.

Frame:

- Composite frame thickness is 1 9/16", (40). Frame width is 4 9/16", (116). Flat bottom sill with 13 degree bevel. Non finger-jointed pine interior frame liner is applied to all units. Ultrex is .075" (2) thick.

Sash:

- Composite sash thickness is 1 17/32" (39). Ultrex is .070" (2) thick.

Jamb Extension:

- Extension Thickness: 9/16" (14)
- Multiple depths available from 1/8" (3), 1/4"(6), and depths varying between 1/2"(13) and 4"(102) at 1/16" (2) increments
- Maximum jamb depth is 8 9/16". (217)
- 6 13/16" (173) or 6 13/16" (173) jamb extension - factory-applied
- All other jamb depth options are available shipped loose.
- Material: Bare Pine
- Option: factory applied white, designer black and clear lacquer interior finish

Hardware:

- The balance system is a coil spring block and tackle system, with nylon cord and zinc locking shoe.
- Both sash tilt into the room for cleaning or removal for painting without removing the screen.
- High-pressure zinc die cast check rail lock and keeper.
- Lock employs a cam-lock mechanism.
 - Color: Almond Frost, White, or Matte Black. Optional Bright Brass, Oil Rubbed Bronze, and Satin Nickel.
- Each sash employs spring loaded tilt latches to allow for easy tilting or sash.
- On IZ3 units CN32 widths and wider, two locks are mounted.
- Optional factory applied Window Opening Control Device is available on all sizes. A system consisting of an acetal lever housed in an acetal shell on each stile of the top sash. This device works in accordance to ASTM F2090-10 standard specification for window fall prevention devices with emergency escape.
 - Color: White, Beige, and Black.

Installation:

- Factory applied folding nailing fin and drip cap system
 - Optional installation brackets for masonry available
 - Optional through jamb installation method with brackets
 - Factory supplied field mulling kits are available for standard assemblies, or 30° and 45° Bay assemblies.
- Recommended method for IZ3 glazed units is installation clips and nailing fin.

Unit Features Continued

Glazing:

- Dual-pane units are manufactured with an 11/16" (17) IG with Low E1, E2, E3, or E3/ERS coatings including argon gas or air fill. Clear (uncoated) glass available with air fill only.
 - Tripane not available.
- Tempered glass and/or obscure glass, and California Fire glass (annealed exterior and tempered interior glazing configuration) are available as an option.
- The glazing seal is a silicone bedding on both interior and exterior surfaces utilized in a sandwich style sash.
- STC/OITC values are available for standard 3.1 mm glass thickness.
 - Optional 3.1/4.7 STC/OITC Upgrade glass is available. See the Product Performance chapter for STC and OITC ratings.
- Decorative glass options include glue chip, rain, reed, narrow reed, frost, and tinted (bronze, gray, or green). Decorative glass is not available with Low E1, Low E3/ERS or STC/OITC Upgrade options.

IZ3 Glazing:

- Optional IZ3 available on selected sizes.
 - IZ3 for winds up to 140 miles per hour.
- Glass is laminated insulated Low E2 or E3 Argon, consisting of annealed or tempered glass exterior and laminated glass interior.
- The laminated glass is comprised of two pieces of glass with either a SGP or PVB laminate layer between.
 - Interior and exterior glazing compound is silicone, in a sandwich style glazing system.

Weather Strip:

- All units are dual weather stripped.
- All weather strip is beige, black, or white in color.
- Jamb weather strip is a robust foam weather strip that is inserted into a rigid vinyl jamb carrier and used to seal sash to jambs. An additional jamb weather strip is inserted into Ultrex/wood and seals bottom sash to jamb.
- Parting stop is vinyl with a flexible leaf to seal between the header and the upper sash.
- Check rail weather strip is a hollow bulb weather strip attached to bottom of sash.
- Flat foam gasket is used between the jamb and sill.
- Picture and transom units is a hollow bulb weather strip that is inserted into rigid vinyl jamb carrier and head jamb carrier to seal sash. Operator units have a hollow-bulb bottom rail weather strip that seals against the sill.

Screen:

- Full screen is standard. Half-screen option is available.
- Screen Frame: Aluminum Screen Frame. Option: None
 - Color to match exterior frame color
- Marvin BrightView™, Options: None.
- Spring loaded pins for installation.
- A screen cross bar will be added when Frame OM (height) is equal to or greater than 47 1/2" (1207).

Interior Jamb Cap:

- Units with Designer Black or White interior finishes are assembled with Interior Jamb Caps and use Jamb Liners with kerfs on the jambs and head jamb.
- Interior Jamb Caps are color matched to the interior finish.

Unit Features Continued**Interior / Exterior Simulated Divided Lites (SDL):**

- Interior bar: 7/8" (22) wide bars
 - Pine bare wood with optional white, clear, or designer black interior finish
- Exterior bar: 7/8" (22) wide bars Ultrex, finish to match exterior
 - Patterns available: Rectangle, Cottage style cut, 9 lite Prairie cut or 6 lite Prairie for top sash, bottom sash, or both.
- ELDHP Only: Simulated check rail option: 2 11/32" (60).
 - Patterns available: simulated rail in standard center or customer specified location with 7/8" (22) patterns above, below or both in patterns of rectangular equal lite or prairie lite cut.
- SDL is unavailable with rain, reed, and narrow reed decorative glass patterns. Glue chip pattern requires tempered glass. Available for tinted glass without spacer bars only.

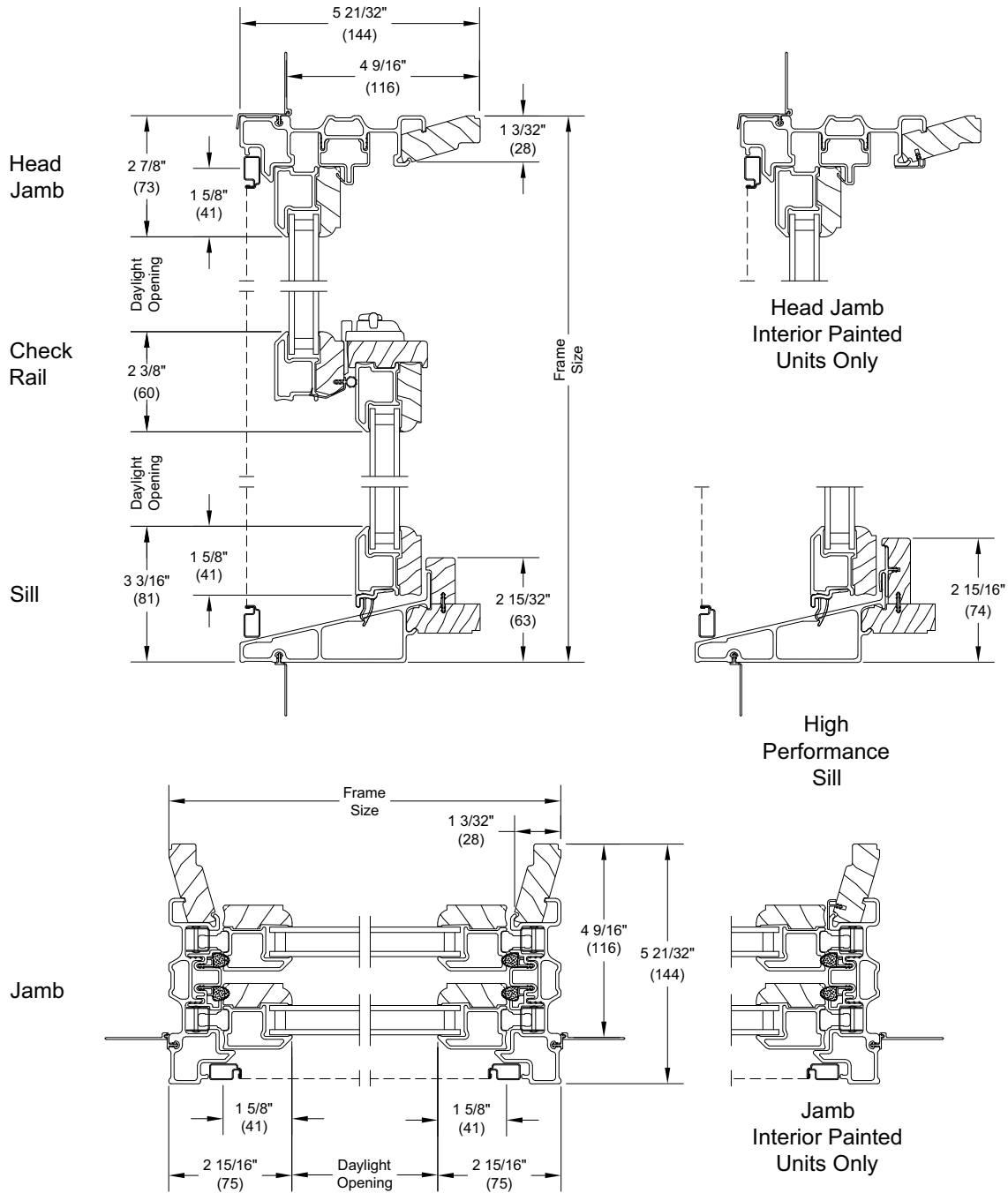
Grilles-Between-The-Glass (GBG):

- 23/32" (18) contoured aluminum bar placed between two panes of glass
- Pattern: Standard rectangular pattern, 6 or 9 lite Prairie cut, or Cottage style cut
 - Exterior colors: Stone White, Pebble Gray, Bronze, Cashmere, Gunmetal, or Ebony
 - Interior Colors: White, Bronze or Black
- GBGs are not available on IZ3 units or tinted glass.

*NOTE: Direct Glaze Round Top with GBG or SDL will only align with the default lite cut of the unit it is intended to be milled with.
NFRC values are now located on www.marvin.com.*

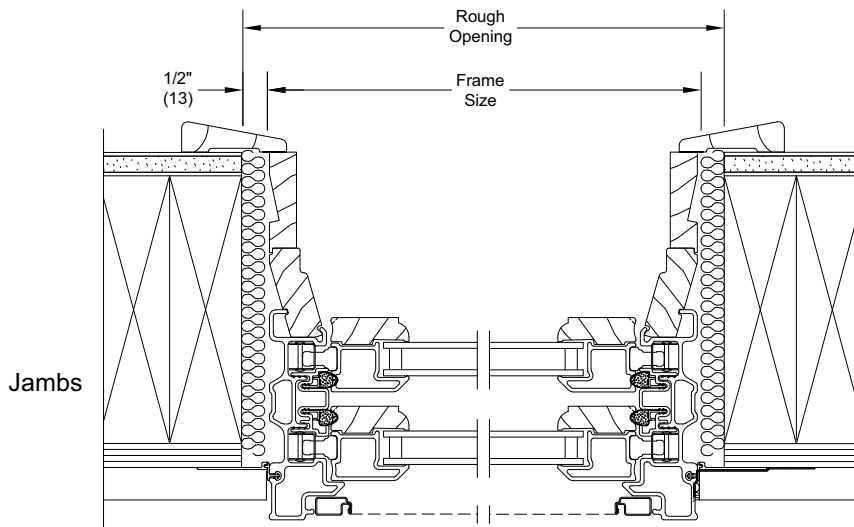
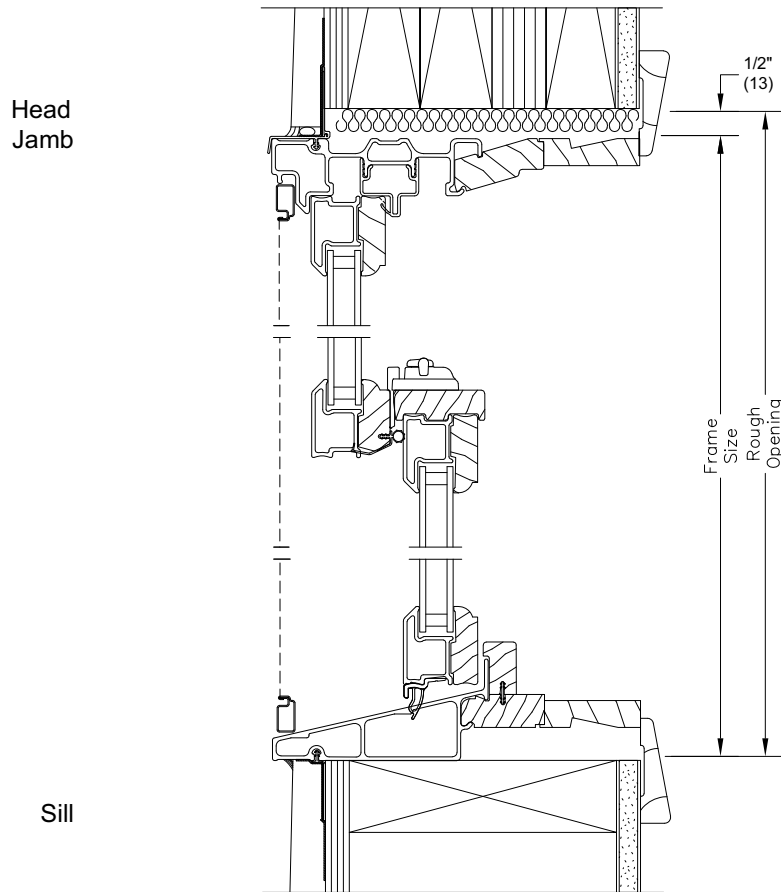
Section Details: Operating - Double Hung (4 9/16" Jamb)

Scale: 3" = 1' 0"



Section Details: Installation Suggestion - Wood Siding With 2x6 Frame Construction

Scale: 1 1/2" - 1' 0"



NOTES:

- The above wall sections represent typical wall conditions, these details are not intended as installation instructions. Please refer to the installation instructions provided with the purchased units.
- Picture unit installation similar. Picture units may require both nailing fin and installation brackets.
- Double Hung unit shown with jamb extension.

Unit Features

Elevate Inswing French Door: ELIFD

Elevate Inswing French Door IZ3: ELIFD IZ3

For applicable certification and code information, refer to the Introduction and Product Performance chapter.

Frame and Sash:

- The frame and sash exteriors are made of Ultrex®, an advanced fiberglass reinforced pultrusion material that is resistant to thermal conductance.
- Exterior colors: Stone White, Pebble Gray, Bronze, Cashmere, Gunmetal, or Ebony. Frame and sash color may be selected independently.
- The interior is non finger-jointed pine, kiln-dried to a moisture content 6-12% at time of fabrication. Water repellent, preservative treated. Interior wood is available as Pine bare wood or factory-applied white, clear, and designer black interior finishes. Frame and sash color may be selected independently.

Frame:

- Frame thickness is 1 5/16" (33). Frame width of 4 9/16" (116). The sill is Ultrex with a cellular PVC interior sill liner. 4/4 non finger-jointed pine interior stop is applied to all units. Ultrex is .080" (2) thick.
- 6 9/16" (167) jamb depth available

Panel:

- Composite sash thickness is 1 3/4" (44), stiles and top rails 3 5/8" (92), bottom rail width 6" (152) Ultrex is .110" (3) thick.

Jamb Extension:

- Extension Thickness: 9/16" (14)
- Multiple depths available from 1/8" (3), 1/4"(6), and depths varying between 1/2"(13) and 4"(102) at 1/16" (2) increments
- Maximum jamb depth is 8 9/16" (217).
- 6 13/16" (173) jamb extension - factory-applied
- All other jamb depth options are available shipped loose.
- Material: Bare Pine
- Option: factory applied white, designer black and clear lacquer interior finish

Hardware:

- Multi-point lock, latch, and deadbolt assembly included with each door.
- Handle has a standard deadbolt and a top and bottom shoot bolts operated by handle set.
- Handle Sets
 - Handle Set: Interior and exterior selected separately.
 - Standard finish is Almond Frost. Optional White, Bright Brass PVD, Oil Rubbed Bronze PVD, Satin Nickel PVD, and Matte Black finishes.
- Standard locking system strike plate will be stainless steel, with an optional brass strike on "X" doors.
- Hinges contain both a horizontal, vertical adjustment feature, and non-removable pin.
 - Three hinges are used on all units.
 - Hinges will be White, Dark Brown, Pebble Gray, Ebony, Gunmetal, or Cashmere to match the exterior of the frame.
 - Coastal brass, Oil Rubbed Bronze, or coastal satin nickel hinges with brass substrates.
 - Hinge kits are available in Gold, Grey, White, Dark Brown, and Ebony finishes.
- Keyed alike option is available.

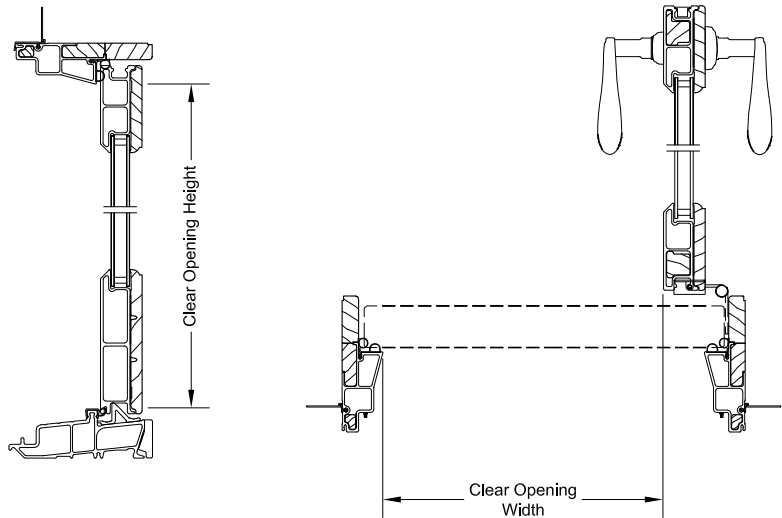
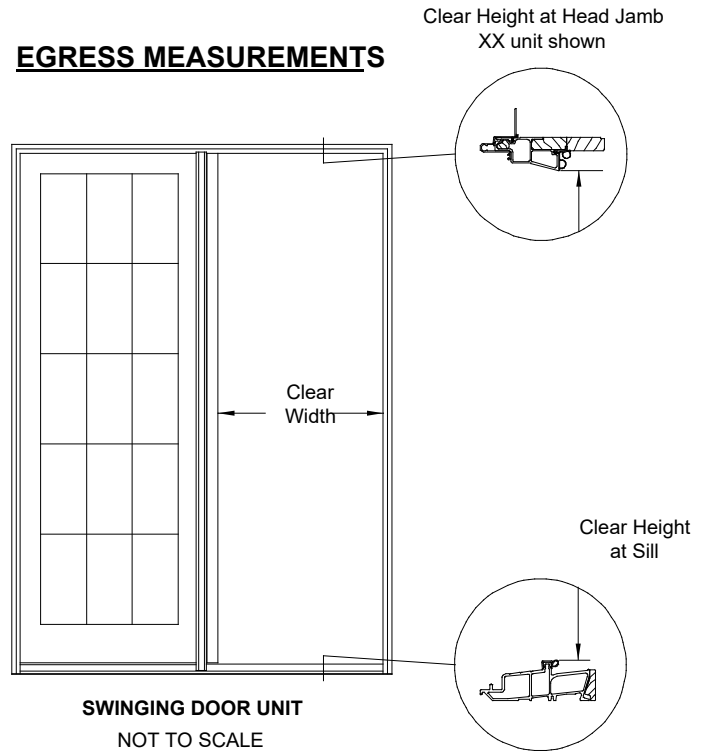
Installation:

- Factory applied folding nailing fin and drip cap system.
- Optional installation brackets for masonry available.
- Factory-supplied field mulling kits are available for standard assemblies.
- IZ3 glazed units require installation clips.

Egress Measurements

Net Clear Opening Elevate Inswing French Door			
Width			
Unit Type	Call Number	Net Clear Openings	
		ft-in	mm
1 Panel Operator Standard/HP/IZ3 (X)	2-6	2-1 21/64	(643)
	2-8	2-3 21/64	(694)
	3-0	2-7 21/64	(796)
2 Panel Operator Standard/HP/IZ3 (OX / XO)	5-0	2-1 1/4	(641)
	5-4	2-3 1/4	(692)
	6-0	2-7 1/4	(794)
2 Panel Operator Standard/HP/IZ3 (XX)	5-0	4-4 13/32	(1331)
	5-4	4-8 13/32	(1433)
	6-0	5-4 13/32	(1636)
Height			
Unit Type	Call Number	Net Clear Openings	
		ft - in	mm
1 and 2 Panel Standard X/XX/XO/OX	6-5	6-3 3/4	(1924)
	6-8	6-6 1/4	(1987)
	7-0	6-10 1/4	(2089)
	8-0	7-7 3/4	(2330)
1 and 2 Panel HP/IZ3 X/XX/XO/OX	6-5	6-3 3/32	(1924)
	6-8	6-5 19/32	(1987)
	7-0	6-9 19/32	(2089)
	8-0	7-7 3/32	(2330)

EGRESS MEASUREMENTS



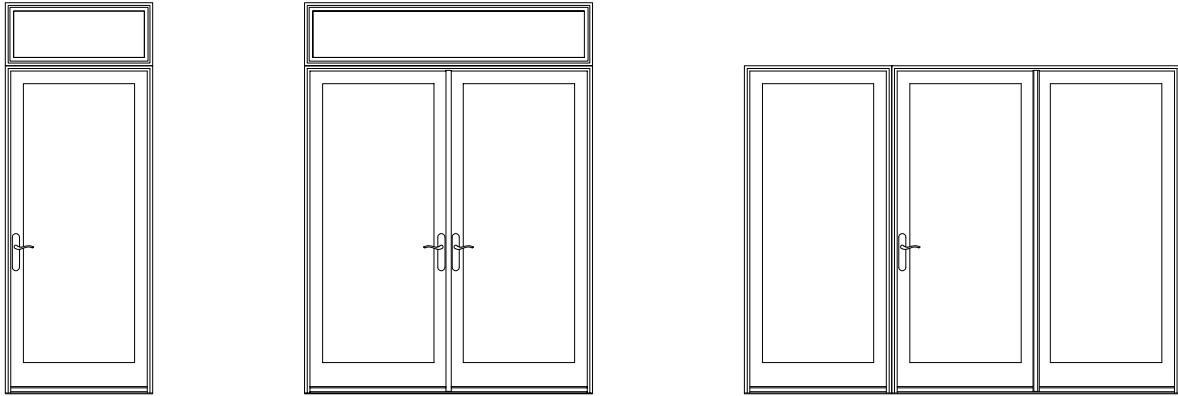
Code restrictions may vary depending on you local building codes. For additional information contact you local cod department for IBC and IRC requirements.

Mulling Guidelines

Multiple assemblies can be factory mulled

- Assemblies up to 3 units wide by 1 unit high
 - **MAXIMUM ROUGH OPENING** not to exceed 109 15/16" (2792) x 96" (2438)
- Assemblies up to 2 units wide by 2 units high
 - **MAXIMUM ROUGH OPENING** not to exceed 73 5/8" (1870) x 100 1/2" (2552)

NOTE: FIELD MULLING BEYOND 110" X 112" IS NOT RECOMMENDED. MULLING NOT AVAILABLE ON HP OR IZ3 UNITS.



ROUGH OPENING TABLE FOR ASSEMBLIES

WIDTH: Single unit Rough Opening width MINUS 1" = Frame width.

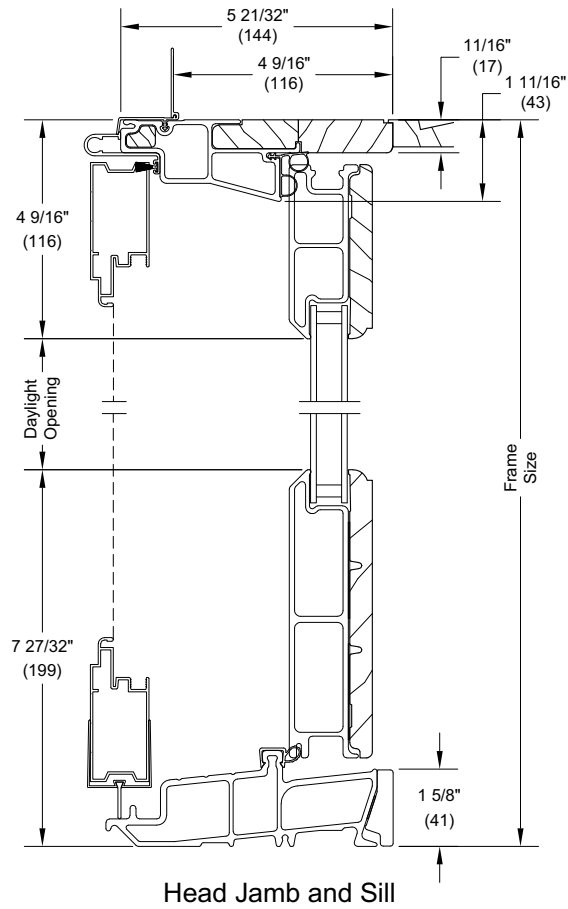
ADD **all** frame widths PLUS 1" = Total Rough Opening width.

HEIGHT: Single unit Rough Opening height MINUS 1/2" = Frame height.

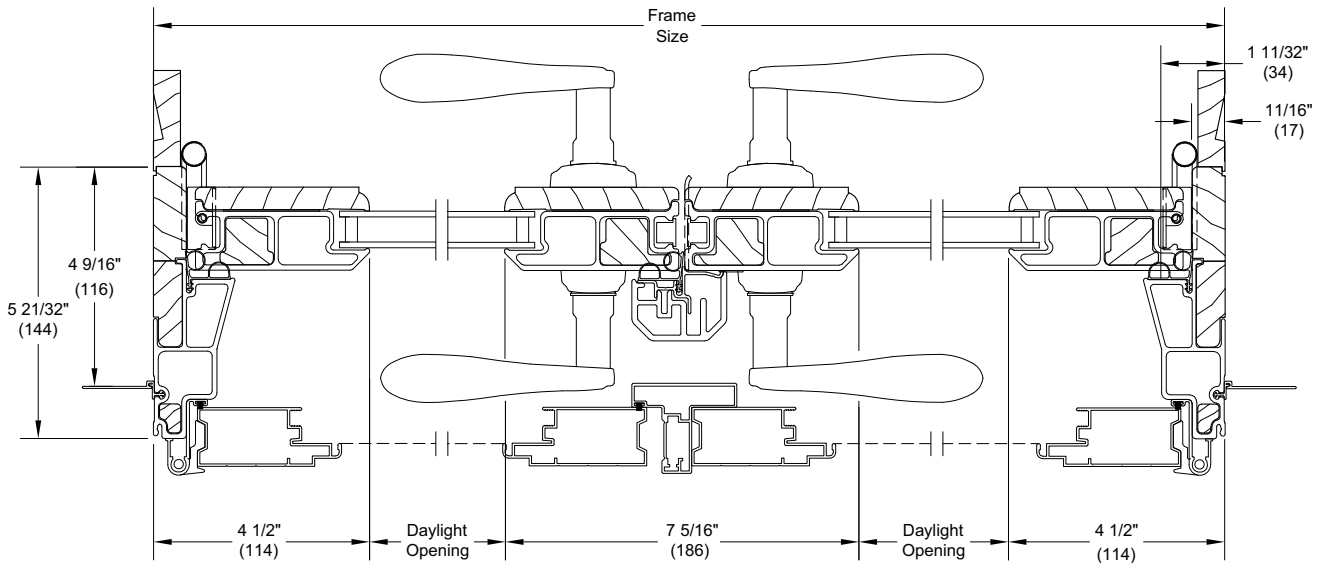
ADD **all** frame heights PLUS 1/2" = Total Rough Opening Height.

Section Details: Standard - 4 9/16" Jamb - XXR Operator

Scale: 3" = 1' 0"



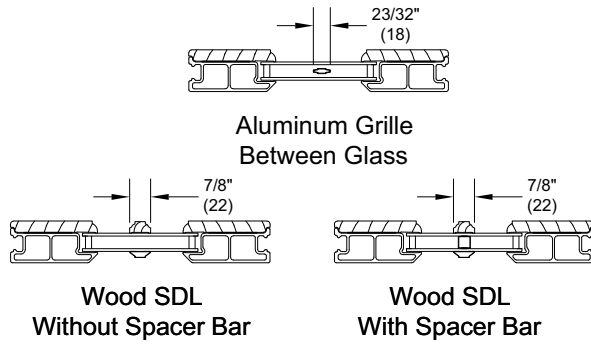
Head Jamb and Sill



2 Panel Jamb - XX L

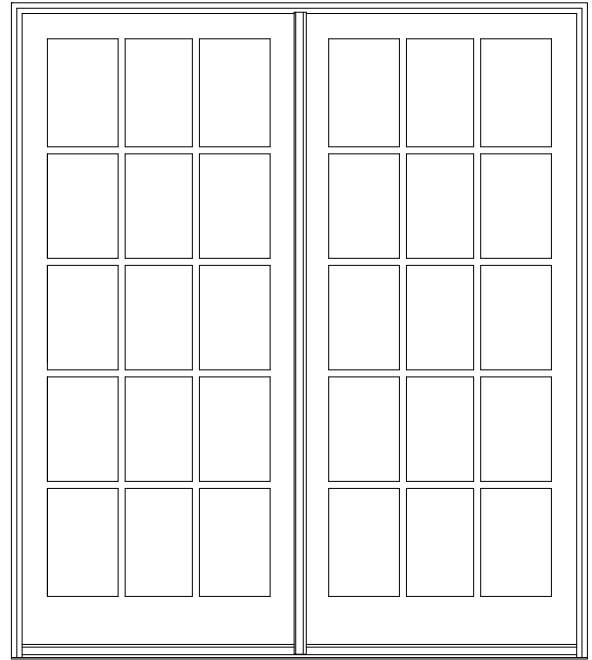
Section Details: Divided Lite Options

Divided Lite Options

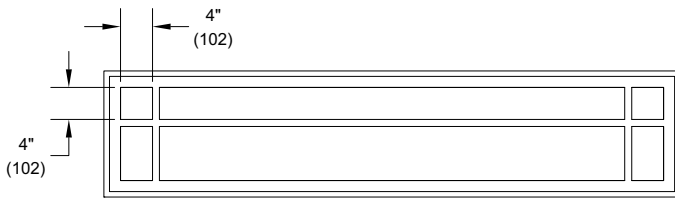


Conversion Formula:

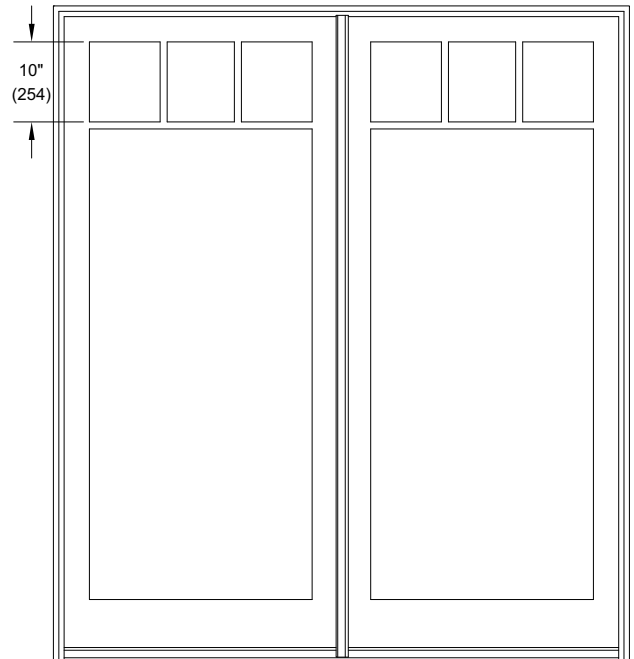
$$\frac{\text{Total DLO} - \text{Total Bar Width}}{\text{Number of lites}} = \text{Individual DLO}$$



Rectangle Cut



Prairie Lite Cut



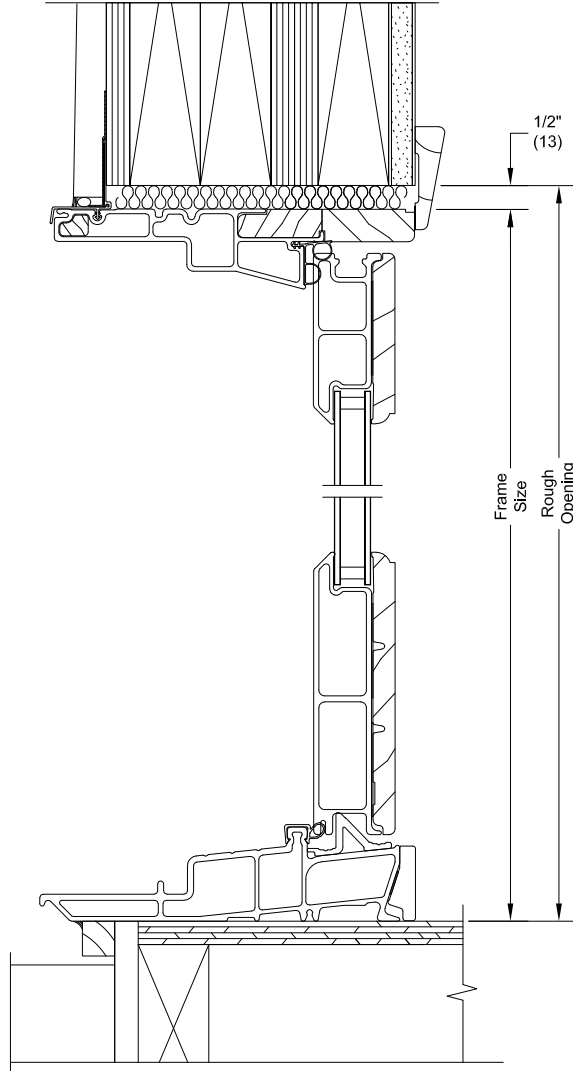
Cottage Lite Cut

*NOTE: Optional 9 lite per panel Prairie cut GBG or SDL
GBGs are not available on IZ3 units*

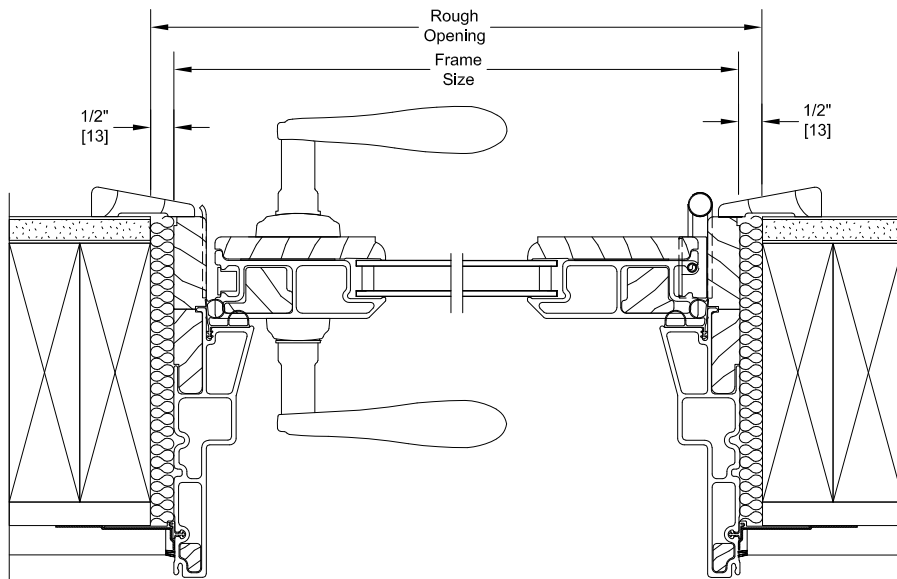
Installation Suggestions: Wood Siding with 2x6 Frame Construction

Head
Jamb

Sill



Jamb



NOTE: The above wall sections represent typical wall conditions, these detail are not intended as installation instructions. Please refer to the installation instructions provided with the purchased units.

Trim & Details – Accoya Wood

Pine Wood (Painted White)





Accoya® wood

DATA SHEET

Accoya is a modified wood that sets the benchmark for wood performance, finish and sustainability. Through extensive testing and use in applications worldwide, it's proven to outperform the competition.

Key features

Accoya wood is produced from sustainably sourced, fast growing wood and manufactured using Accsys' proprietary patented acetylation process from surface to core.



HIGHLY STABLE



HIGHLY DURABLE



IDEAL FOR COATING



EXCELLENT MACHINABILITY



BAREFOOT FRIENDLY



NON TOXIC



UP TO 50 YEAR WARRANTY



INSECT RESISTANT



LOW MAINTENANCE



SUSTAINABLY SOURCED



NATURAL WOOD



100% RECYCLABLE

Approved Manufacturer Training Program

Accsys provides a training program for manufacturers of Accoya products. We strongly encourage all manufacturers using Accoya to participate. Contact your local Accoya representative for more information.

Standard lengths & grades

8', 10', 12', 14', 16'

- > All A1 dimensions are actual rough sawn.
- > A1p is surfaced on 2 sides.
- > Companies processing Accoya can supply a wide range of standard and custom profiles from boards.
- > The sizes and grades produced at the Accoya production plant in Tennessee are summarized below:

Standard dimensions & grades

Thickness	Widths				Grades
	4"	5"	6"	8"	
7/8			✓	✓	A1p
4/4	✓	✓	✓	✓	A1
5/4			✓	✓	A1
6/4			✓	✓	A1
8/4	✓	✓	✓	✓	A1

Material	
100% Solid Accoya wood	
Durability	
AWPA E7 & E10, Average rating > 9. Accoya is an effective barrier against a broad spectrum of wood-destroying organisms. Rigorous testing in the lab as well as in prone settings like the Southeast US, Australia, Japan and New Zealand confirm this.	
Equilibrium Moisture Content	
3–5 % at 65% relative humidity, 68°F	
Density	
Average 32 pcf at 65% RH, 68°F, Range 27 to 37 pcf	
Shrinkage	
WET – 65% RH / 68°F*	WET – Oven Dry*
Radial – 0.4%	Radial – 0.7%
Tangential – 0.8%	Tangential – 1.5%
*Average Values	
Fire Rating	
Class C (ASTM E84). Additional requirements apply to siding on buildings in designated Wild Urban Interface (WUI) zones. Accoya siding wall constructions have been tested and demonstrated to meet WUI requirements. For more details click here.	
Thermal Conductivity	
ASTM C177, $\gamma = 0.102 \text{ W/m-}$	
Bending Strength	
ASTM D143, MOR = 13,144 psi	
Bending Stiffness	
ASTM D143, MOE = 1,297,492 psi	
Janka Hardness	
ASTM D143, Side = 922 LBF, End grain = 1484 LBF.	
Certification & Approval	
Forest Stewardship Council (FSC) Certified	
Cradle-to-Cradle: GOLD Overall; Platinum in Material Health	



Insect barrier

Accoya wood is indigestible to a wide range of pests and an effective barrier to attack. Five year ground contact testing by independent laboratories in Florida USA, the Caribbean and Okinawa, Japan and has shown less termite damage on Accoya than on naturally durable species such as FEQ Burmese Teak.

Salt water contact and immersion

Accoya is not detrimentally affected by salt water contact or immersion. Field testing over 10 years immersion has shown minor attack on Accoya by marine organisms but less than that sustained on other durable woods in test.

Machinability

Processing does not affect the unique properties of Accoya wood, as it is modified to the core. It is relatively easy to process and comparable to a softwood or medium density hardwood such as Yellow Poplar (Tulip Wood). With the right training no special tools are required for cross cutting, ripping, planing, routing and drilling. Further details can be found in the Accoya Wood Information Guide.

Gluing

Both load bearing and non-load bearing applications have been tested using adhesive systems for laminating, finger jointing and frame corner joints. While good results can be achieved with most common adhesives, PU, EPI, epoxy and PRF give the best results. Results using polyvinyl acetate (PVAc) can vary greatly. MUF adhesives should be avoided. Contact your adhesive supplier for more information.

Finishing

A finish or coating does not need to be applied to Accoya to achieve longevity and dimensional stability. Details on natural weathering of uncoated Accoya can be found in the Wood Information Guide. Most commonly used coating systems can be used on Accoya wood. Testing has been performed with a full range of oil-based and water-based coating systems. Leading coating manufacturers have found that their film form coating systems last longer on Accoya. Contact your coating supplier for more information and check the Accoya Essential Coatings Guide.

Fastening

Stainless steel fasteners are highly recommended with Accoya. Grade 304 for inland conditions and grade 316 for coastal conditions. More information on other metals and alloys suitable for use with Accoya can be found in the Accoya Wood Information Guide.

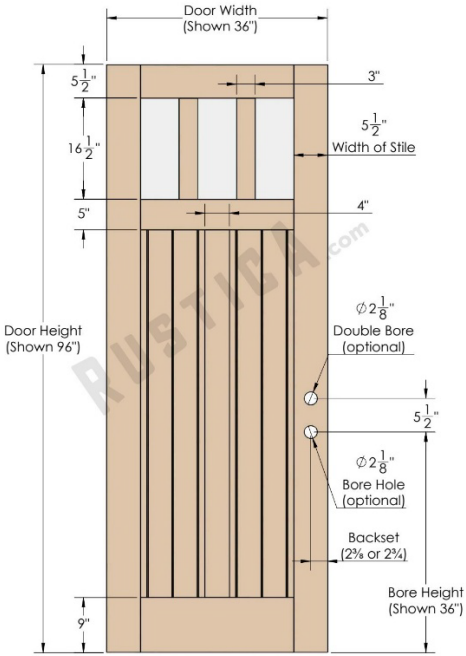
For more information please refer to the Wood Information Guide at www.accoya.com

Carriage Doors – Rustica

Craftsman Exterior Double Slab Door, Outswing
(Poplar Wood, Stained), 3-Wide Lites

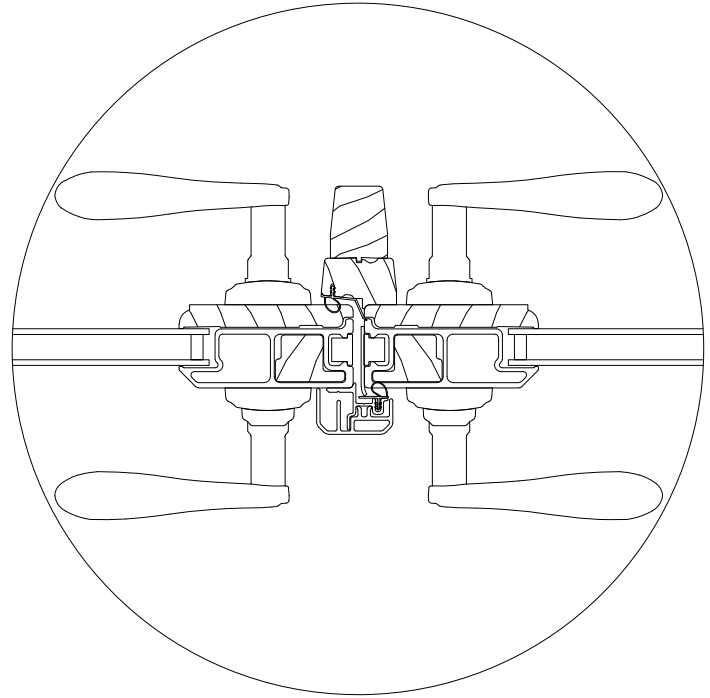
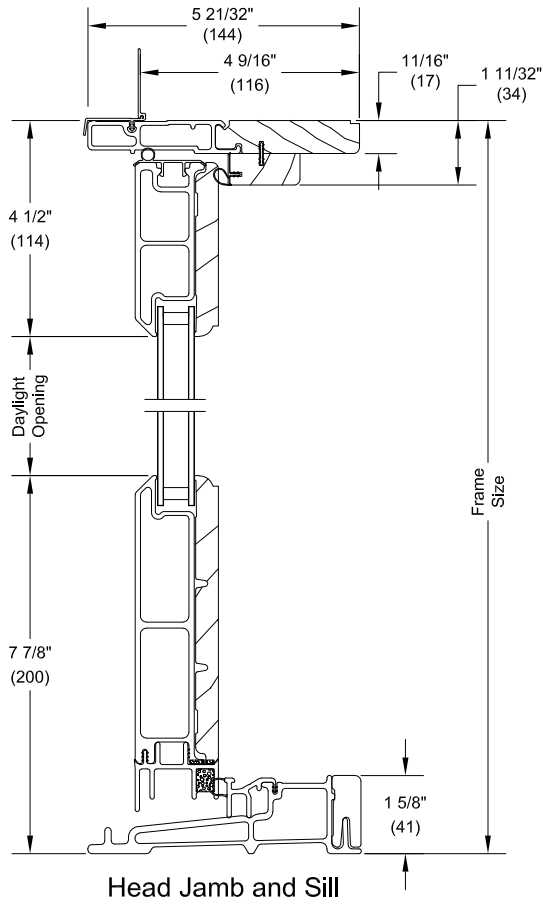


Craftsman

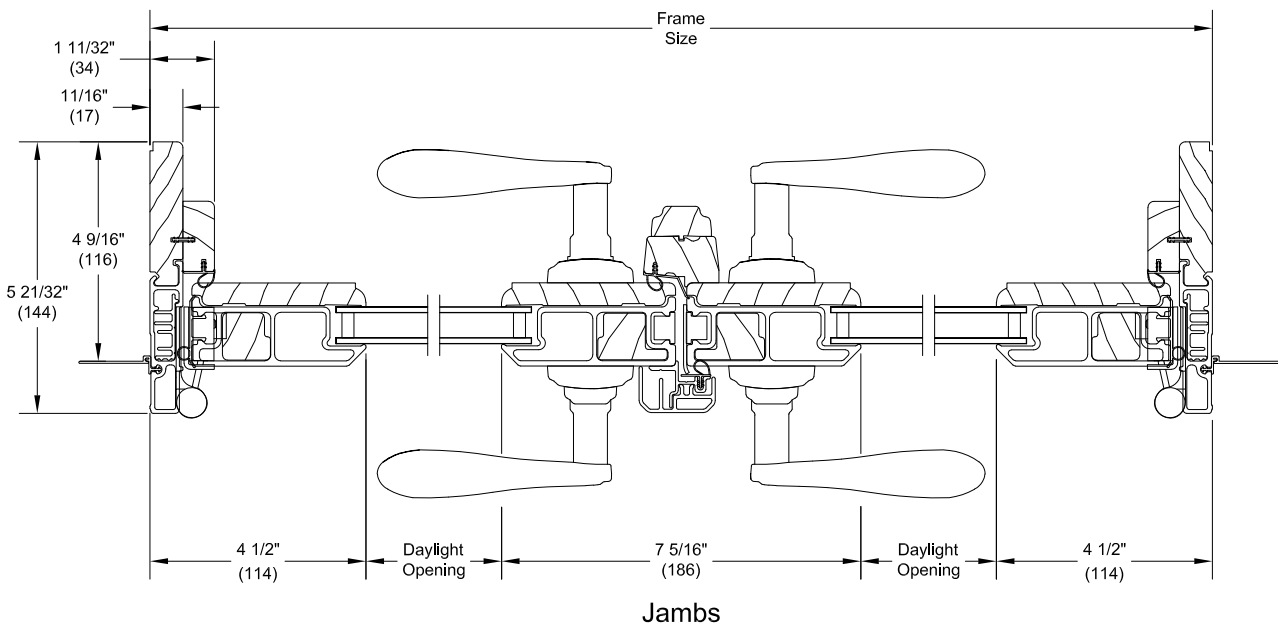


Section Details: Standard - 4 9/16" Jamb - XXR Operator

Scale: 3" = 1' 0"

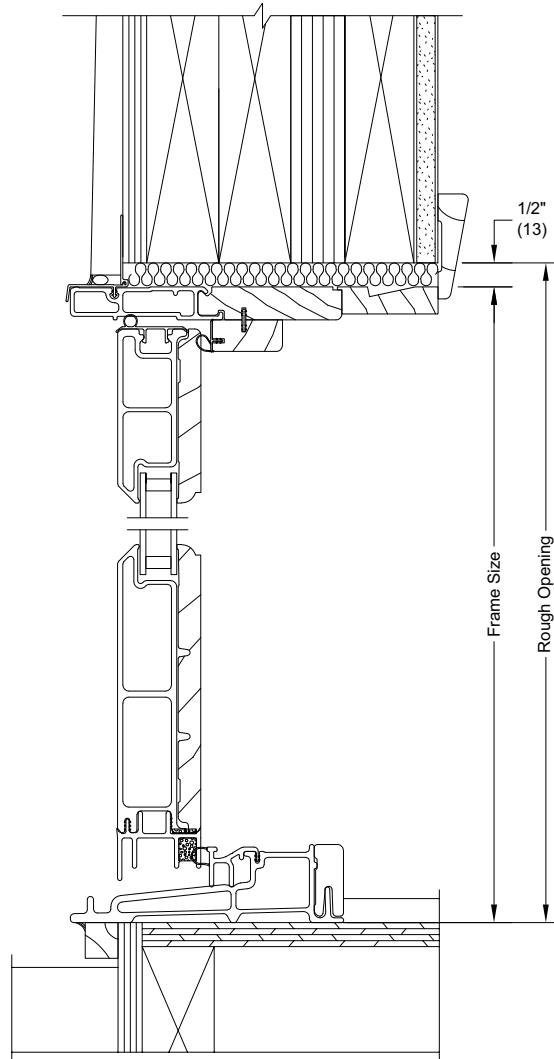


W9608 Astragal
For Heights Over 6-8



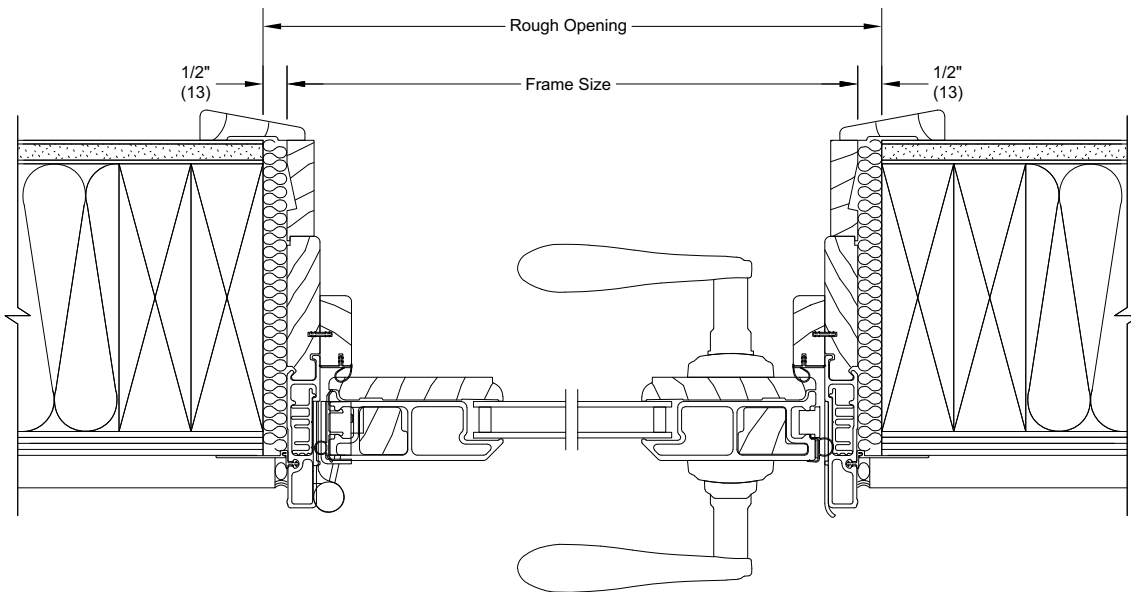
Installation Suggestions: Wood Siding with 2x6 Frame Construction

Head
Jamb



Sill

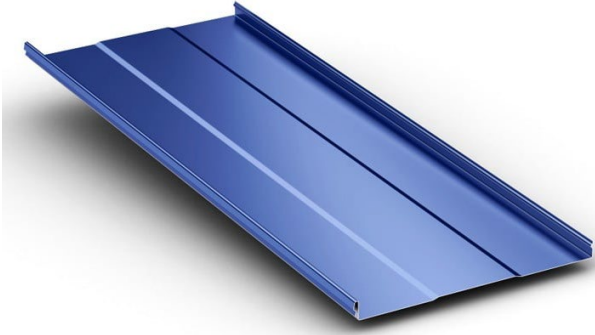
Jamb



NOTE: The above wall sections represent typical wall conditions, these detail are not intended as installation instructions. Please refer to the installation instructions provided with the purchased units.

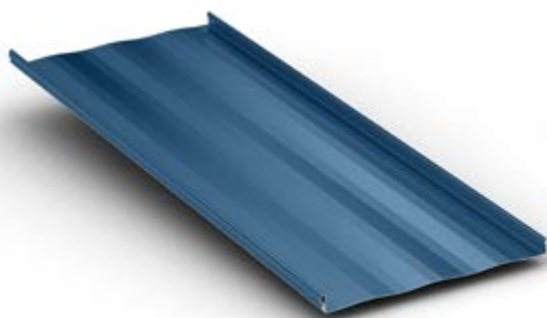
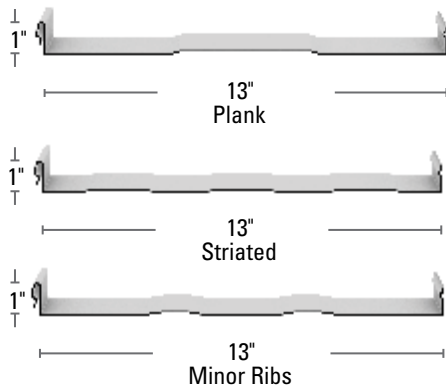
Standing Seam Metal Roof – McElroy Metal

Instaloc Snap Lock (Slate Gray/Charcoal)



Instaloc

Instaloc is a snap-together standing seam that features a 1" seam and is installed with concealed clips. Instaloc is an excellent selection for applications where greater uplift characteristics are required than achieved with Meridian.



Instaloc Clip

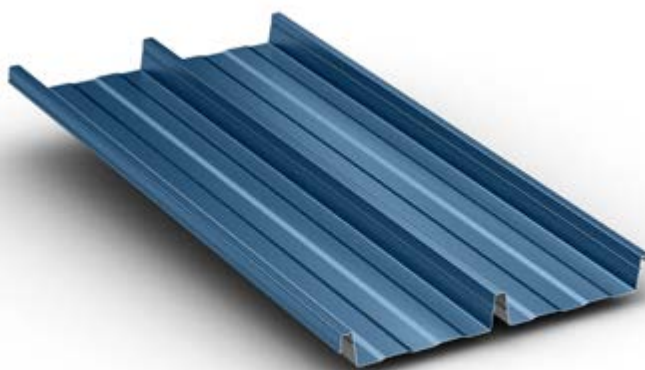
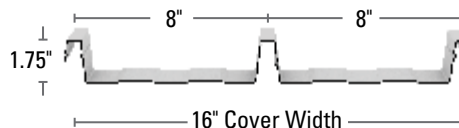


Seam Detail



Mirage II

Mirage II is a concealed fastener roofing panel with 1 3/4" high ribs spaced 8" on center. Mirage II can be installed over solid deck or substructural members.



Mirage II Clip



Seam Detail



Details

- Minimum Slope: 3:12
- Must be installed over solid deck
- Factory applied sealant
- Instaloc is produced in Houston, TX

Panel Options

- Panel width: 13"
- Panel configurations: striated, plank and minor rib (striated recommended)
- Coating: Kynar 500® (PVDF)
- Substrate: Standard 24 gauge Galvalume

Testing Data

- For any available Test Data, Section Properties or Load Tables, please visit our download section at www.mcelroymetal.com

Mirage II Details

- Minimum slope: 1/4:12
- Factory applied sealant is required on slopes less than 3:12
- Can be installed over solid deck or open framing
- Mirage II is produced in Adelanto, CA

Panel Options

- Panel width: 16"
- Panel configurations: ribbed
- Coating: Kynar 500® (PVDF)
- Substrate: Standard 24 gauge Galvalume

Testing Data

- For any available Test Data, Section Properties or Load Tables, please visit our download section at www.mcelroymetal.com

STANDARD OPTIONS



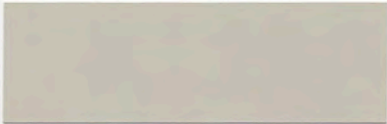
Regal White



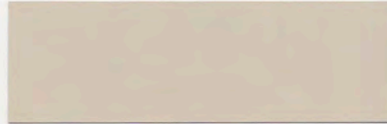
Bone White



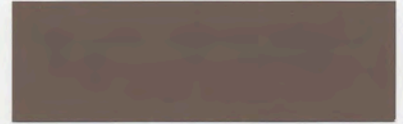
Surrey Beige



Sandstone



Almond



Buckskin



Ash Gray



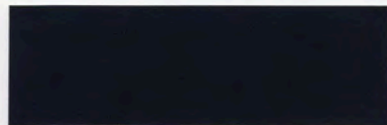
Slate Gray



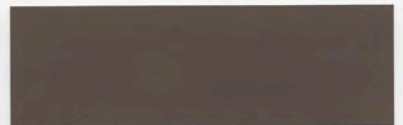
Charcoal



Dark Charcoal



Matte Black



Medium Bronze



Dark Bronze



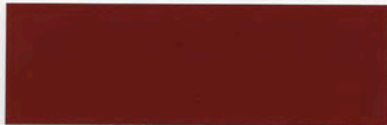
Patina Green



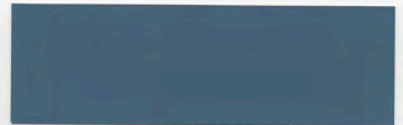
Evergreen



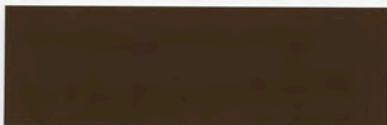
Mansard Brown



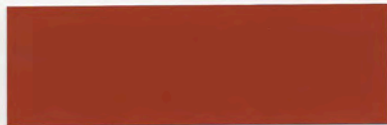
Colonial Red



Roman Blue



Patrician Bronze



Terra Cotta



Galvalume Plus

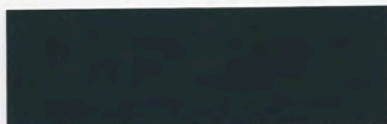
*** DEEP TONE
PREMIUM COLORS**



Regal Blue



Brite Red



Hartford Green



Brandywine

*** METALLIC COLORS**



Prewathered Galvalume



Leadcoat



Silver Metallic



Copper Penny Metallic



Texas Silver Metallic



Champagne Metallic

*** WOODGRAINS**



Chestnut



Driftwood



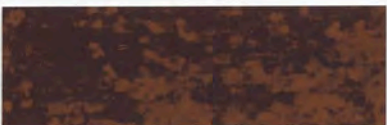
Golden Pecan

* Grain runs top to bottom on vertically installed panels and left to right on horizontal applications.

*** SPECIALTY FINISHES**



Brushed Metal



COR-TEN AZP® Raw

COLOR	*INVENTORY					
	Sunnyvale, Texas	Clinton, Illinois	Peachtree City, Georgia	Adelanto, California	Houston, Texas	Lockhart, Texas
ALMOND	✓	✓	✓	✓	✓	✓
ASH GRAY	✓	✓	✓	✓	✓	✓
BONE WHITE	✓	✓	✓	✓	✓	✓
BRANDYWINE	✓	✓	✓		✓	✓
BRITE RED	✓	✓	✓	✓	✓	✓
BRUSHED METAL					✓	
BUCKSKIN	✓	✓			✓	✓
CHAMPAGNE METALLIC	✓	✓			✓	✓
CHARCOAL	✓	✓	✓	✓	✓	✓
CHESTNUT					✓	
COLONIAL RED	✓	✓	✓	✓	✓	✓
COPPER PENNY METALLIC	✓	✓	✓	✓	✓	✓
COR-TEN AZP RAW	✓					
DARK BRONZE	✓	✓	✓	✓	✓	✓
DARK CHARCOAL	✓					✓
DRIFTWOOD					✓	
EVERGREEN	✓	✓	✓	✓	✓	✓
*GALVALUME PLUS	✓	✓	✓	✓	✓	✓
GOLDEN PECAN					✓	
HARTFORD GREEN	✓	✓	✓	✓	✓	✓
LEADCOAT	✓	✓		✓	✓	✓
MANSARD BROWN	✓	✓	✓	✓	✓	✓
MATTE BLACK	✓	✓	✓	✓	✓	✓
MEDIUM BRONZE	✓	✓	✓	✓	✓	✓
PATINA GREEN	✓	✓	✓	✓	✓	✓
PATRICIAN BRONZE	✓	✓	✓	✓	✓	✓
PREWEATHERED GALVALUME	✓	✓			✓	✓
REGAL BLUE	✓	✓	✓	✓	✓	✓
REGAL WHITE	✓	✓	✓	✓	✓	✓
ROMAN BLUE	✓	✓	✓	✓	✓	✓
SANDSTONE	✓	✓	✓	✓	✓	✓
SILVER METALLIC		✓	✓	✓		
SLATE GRAY	✓	✓	✓	✓	✓	✓
SURREY BEIGE	✓	✓	✓	✓	✓	✓
TERRA COTTA	✓	✓		✓	✓	✓
TEXAS SILVER METALLIC	✓			✓	✓	✓

*Inventory shown is 24 gauge. Galvalume Master Coil. Other gauges and substrates are available and inventory varies by location. Please inquire for specific inventory availability and freight rates.

* Colors are representative of colors offered and are not intended for matching purposes. Before placing an order, please request an actual color sample from McElroy Metal.

***Additional cost applies.**

Addition Cupola – East Coast Weathervanes

Hamlin Cupolas (Acre board, Painted Bone White), Plywood Roof (Painted)



Build Better with ACRE

FINISH ACRE WITH ANY WATER-BASED PAINT, STAIN OR SEALER.

If you choose to paint ACRE, use a coating with a Light Reflective Value (LRV) above 55% or see our website for approved coatings for darker colors and technical assistance.

UNMATCHED DURABILITY

- 100% resistant to water, weather, pests and rot
- No splintering, cracking or warping
- No special maintenance or cleaning methods needed
- Industry-leading material guarantee

CUSTOMIZABLE SPECS

- 4' wide x 8' length sheets standard, up to 20'
- Thickness: 1/4", 3/8", 1/2", 5/8", 3/4", 1"

NATURAL BEAUTY

- Warm look and feel of wood
- Natural-looking grain
- Barefoot-friendly, low heat retention
- Wide range of finishing options: sand, stain, oil, paint, digital print.

SUSTAINABILITY

- Made in the U.S.A. Fewer emissions from transporting long distances
- 100% tree-free
- Upcycled natural fibers from discarded rice hulls, a rapidly renewable resource
- Free of phenol, formaldehyde and adhesives
- Zero-waste manufacturing
- 100% recyclable

TECHNICAL BENEFITS

- Uniform texture and finish-ready edge throughout
- Can be processed with common woodworking tools
- Accepts screws and nails easily with a flush finish
- Flexible and thermoformable
- Perfect for curved applications
- Easy to glue and bond
- Lightweight and easy to handle and install

