

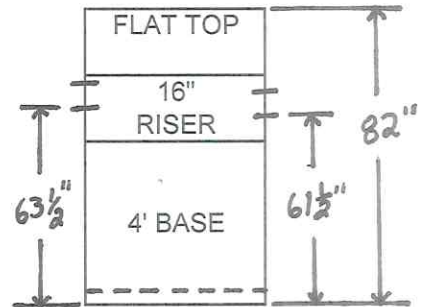
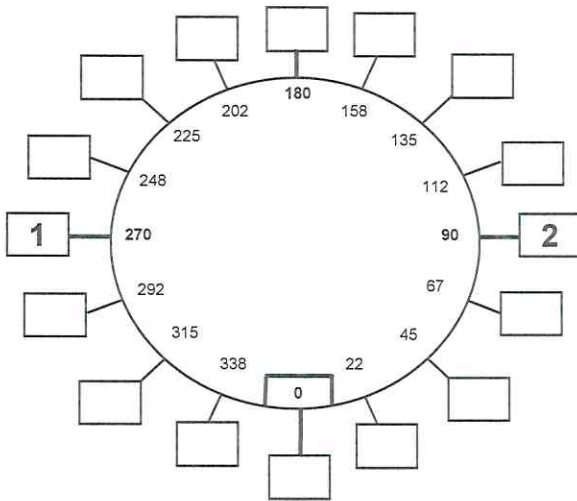
STRUCTURE SUBMITTAL

CUSTOMER: MID STATES JOB NAME: VALMONT

DATE: 4/7/2026 ESTIMATED SHIP DATE: _____ PAGE 1 OF 1

STRUCTURE # 1 INSIDE DIA: 48"

UNIT# <u>1</u> OF <u>3</u>	PRODUCT: <u>48" ID X 16" RISER SECTION</u>	POURED INVERT	Y	N
STORM <input type="checkbox"/>	SANITARY <input checked="" type="checkbox"/>	CASTING: _____		
LIFT STATION <input type="checkbox"/>	CUSTOM <input type="checkbox"/>			
		STEPS	<input type="checkbox"/>	<input checked="" type="checkbox"/>
		7/8" JOINT SEALANT	<input checked="" type="checkbox"/>	<input type="checkbox"/>
		DOUBLE SEALANT	<input type="checkbox"/>	<input checked="" type="checkbox"/>
		JOINT GASKET	<input type="checkbox"/>	<input checked="" type="checkbox"/>



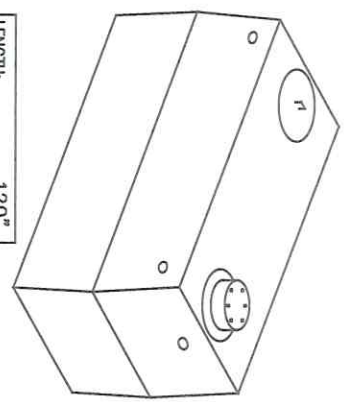
PRODUCT:

48" ID FLAT TOP SECTION
48" ID X 16" RISER SECTION
48" ID X 4' BASE SECTION

HOLE #	CORE	FORMED	DIA	INVERT	BOOT # W/CLAMP	NOTES
#1	X		8"	63 1/2"	S106-8SRWS	4" PVC
#2	X		8"	61 1/2"	S106-8SRWS	4" PVC
#3						
#4						
#5						
#6						
#7						

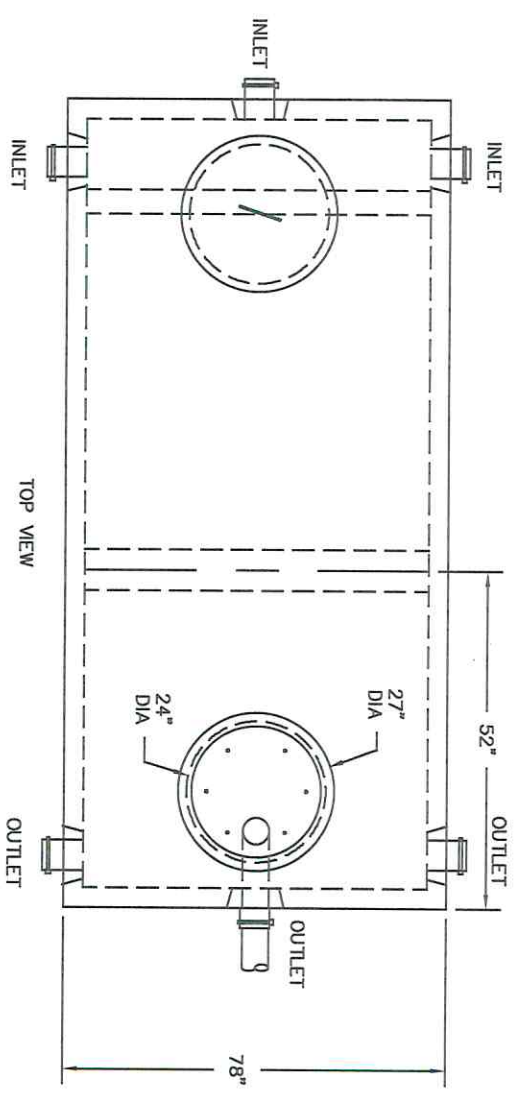
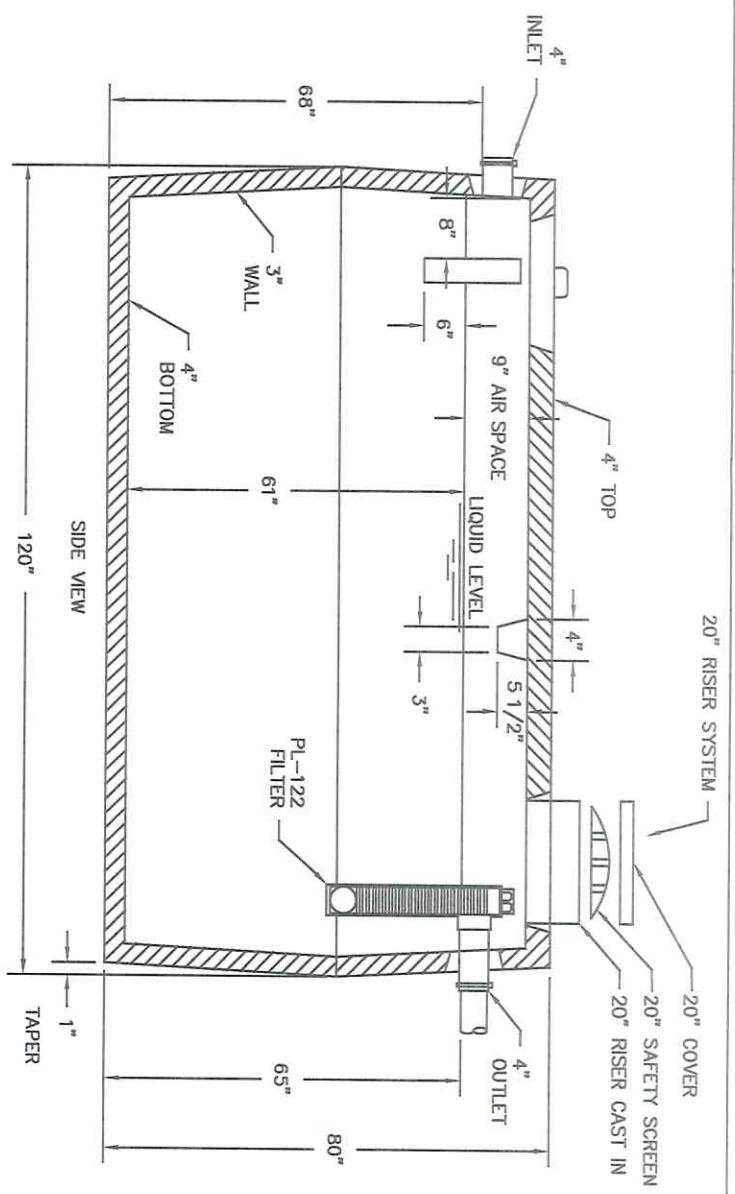
FARMER TANK INC.
 25575 WOODLAWN AVE. * ELKHART, IN 46514
 (574) 264-4625
 FAX (574) 264-6287

2000 GALLON SEPTIC TANK



LENGTH:	120"
WIDTH:	78"
HEIGHT:	80"
INLET:	68"
TOP:	6,800 lbs
BOTTOM:	6,400 lbs

- * Maximum Bury Depth Is 3'
- Tank is concrete, 2 piece with tongue and groove seam that is sealed with a butyl strip sealant
- Walls are 3" reinforced concrete with 1.5" fibrillated polypropylene fibre
- Top is 4" reinforced concrete with #3 Rebar and 1.5" fibrillated polypropylene fibre
- Bottom is 4" reinforced concrete with 1.5" fibrillated polypropylene fibre
- Baffle and rib are molded into the top section
- * Test strength of concrete is 4,500-5,000 PSI
- Tank is equipped with 4" rubber seals with clamps for watertight pipe connections
- * State of Michigan does not require an effluent filter



Note: Drawings Are Not To Scale