



City of Breckenridge

February 22, 2021

Attn: Houston Satterwhite

Ref: Apartment Lift Station

1- Lift Station Equipment Package to include:

- 2- Ebara Model 100DLMKFU65.5 4" 7.5 HP, 1800RPM, 3phs submersible pump
- 2- 4" Cast iron base elbow with guide rail adapter and stainless steel upper guide rail bracket
- 2- Stainless steel lifting chain
- 1- Aluminum hatch cover, 72X36, double door
- 1- Duplex control panel, NEMA 4X stainless steel enclosure, with alternator, HOA switches, seal fail relays, high temp relays, elapsed time meters and high water alarm
- 2- Stainless steel cable hanger
- 1- Item stainless steel guide rails ( for pit depth up to 20' )
- 4- Float switch with 30' power cord

1- Item freight to jobsite

1- Field start-up supervision

LOT NET TOTAL WITH FREIGHT ALLOWED TO JOBSITE.....\$ 19,815.00

Shipment: 3-4 weeks after order

Note: Anchor bolts, discharge piping beyond base elbows, valves, panel mounting stand, wiring conduit, concrete, unloading and installation all by others.

Prepared by,

Randy Key

DXP Enterprises, Inc.  
1510 W. Shady Grove, Grand Prairie, TX, 75050 (972) 441-5500 fax (866) 916-1905



*Celebrating a Century of Pioneering Solutions in Industrial Distribution*





Customer :  
Reference :

### Pump Performance Datasheet

Ebara Quotation System 20.1.1

Item number : 001  
Service :  
Quantity : 1  
Quote number : 928475

Product Description : 100DLMKFU65.5  
Stages : 1  
Based on curve number : DLMK-C608-9203  
Date last saved : 15 Apr 2020 4:59 PM

#### Operating Conditions

Flow, rated : 250.0 USgpm  
Differential head / pressure, rated (requested) : 50.00 ft  
Differential head / pressure, rated (actual) : 49.71 ft  
Suction pressure, rated / max : 0.00 / 0.00 psi.g  
NPSH available, rated : Ample  
Frequency : 60 Hz

#### Performance

Speed, rated : 1745 rpm  
Impeller diameter, rated : 8.15 / 8.15 in  
Impeller diameter, maximum : 8.15 / 8.15 in  
Impeller diameter, minimum : 7.32 / 7.32 in  
Efficiency : 51.95 %  
NPSH required / margin required : - / 0.00 ft  
Ns (imp. eye flow) / Nss (imp. eye flow) : 2,180 / - US Units  
MCSF : 75.00 USgpm  
Head, maximum, rated diameter : 66.78 ft  
Head rise to shutoff : 34.32 %  
Flow, best eff. point : 388.0 USgpm  
Flow ratio, rated / BEP : 64.43 %  
Diameter ratio (rated / max) : 100.00 %  
Head ratio (rated dia / max dia) : 100.00 %  
Cq/Ch/Ce/Cn [ANSI/HI 9.6.7-2010] : 1.00 / 1.00 / 1.00 / 1.00  
Selection status : Near miss

#### Liquid

Liquid type : Water  
Additional liquid description :  
Solids diameter, max : 0.00 in  
Solids concentration, by volume : 0.00 %  
Temperature, max : 68.00 deg F  
Fluid density, rated / max : 1.000 / 1.000 SG  
Viscosity, rated : 1.00 cP  
Vapor pressure, rated : 0.00 psi.a

#### Material

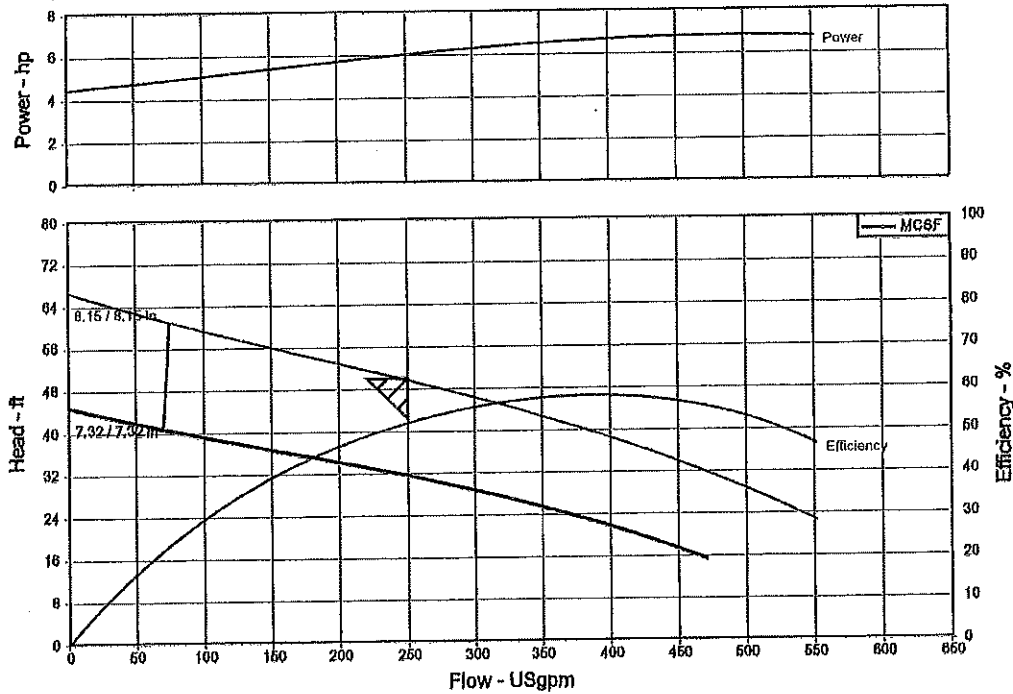
Material selected : Standard

#### Pressure Data

Maximum working pressure : 28.91 psi.g  
Maximum allowable working pressure : N/A  
Maximum allowable suction pressure : N/A  
Hydrostatic test pressure : N/A

#### Driver & Power Data (@Max density)

Driver sizing specification : Rated power  
Margin over specification : 0.00 %  
Service factor : 1.00  
Power, hydraulic : 3.14 hp  
Power, rated : 6.04 hp  
Power, maximum, rated diameter : 6.84 hp  
Minimum recommended motor rating : 7.50 hp / 5.59 kW (Fixed)



DXP Enterprises (Ebara)

Tel: Fax: dxpe.com

# SERIES S2S ACCESS DOOR



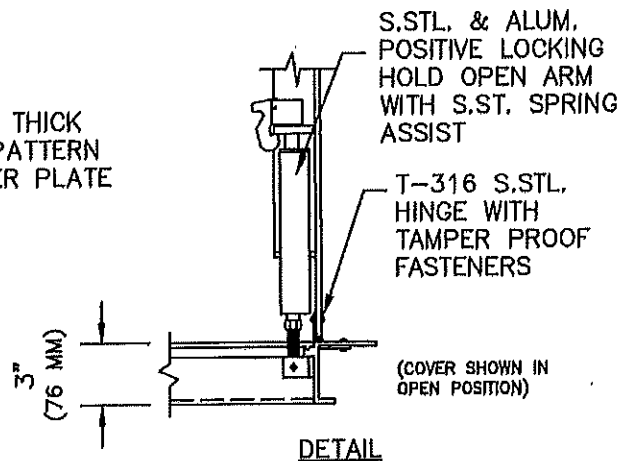
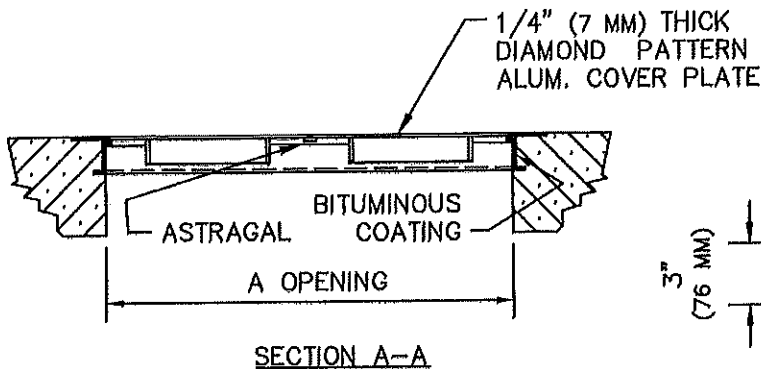
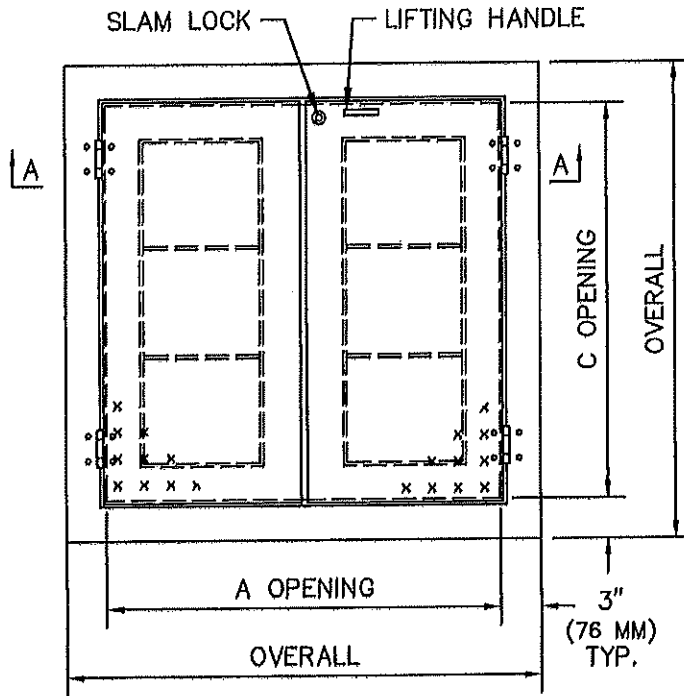
www.HallidayProducts.com  
 Phone 800-298-1027  
 Fax 407-298-4534  
 Sales@HallidayProducts.com

## STANDARD FEATURES:

- AUTO-LOCK T-316 STAINLESS STEEL HOLD OPEN ARM WITH RELEASE HANDLE
- T-316 STAINLESS STEEL HINGES AND ATTACHING HARDWARE
- T-316 STAINLESS STEEL SLAM LOCK WITH REMOVABLE KEY
- STAINLESS STEEL COMPRESSION SPRING ASSIST
- BUILT-IN NEOPRENE CUSHION/GASKET
- NON-OZONE DEPLETING BITUMINOUS COATING
- DOUBLE LEAF CONSTRUCTION
- 300 LBS. PER SQ. FT. LOAD RATING (1464 KG. PER SQ. METER LOAD RATING)
- EXTRUDED ALUMINUM FRAME
- RECESSED LIFTING HANDLE
- LIFETIME GUARANTEE

## STANDARD SIZES

QTY.	MODEL NO.	A DIM. INCHES (MM)	C DIM. INCHES (MM)	UNIT WT. LBS. (KG.)
	S2S4242	42 (1067)	42 (1067)	93 (42)
	S2S4842	48 (1219)	42 (1067)	99 (45)
	S2S4848	48 (1219)	48 (1219)	110 (50)
	S2S5442	54 (1372)	42 (1067)	108 (49)
	S2S5448	54 (1372)	48 (1219)	119 (54)
	S2S5454	54 (1372)	54 (1372)	127 (58)
	S2S6030	60 (1524)	30 (762)	87 (39)
	S2S6036	60 (1524)	36 (914)	100 (45)
	S2S6042	60 (1524)	42 (1067)	115 (52)
	S2S6048	60 (1524)	48 (1219)	130 (59)
	S2S6054	60 (1524)	54 (1372)	143 (65)
	S2S6060	60 (1524)	60 (1524)	158 (72)
	S2S6636	66 (1676)	36 (914)	109 (49)
	S2S6648	66 (1676)	48 (1219)	141 (64)
	S2S7238	72 (1829)	36 (914)	116 (53)
	S2S7242	72 (1829)	42 (1067)	135 (61)
	S2S7248	72 (1829)	48 (1219)	151 (68)
	S2S7254	72 (1829)	54 (1372)	168 (76)
	S2S7260	72 (1829)	60 (1524)	178 (81)



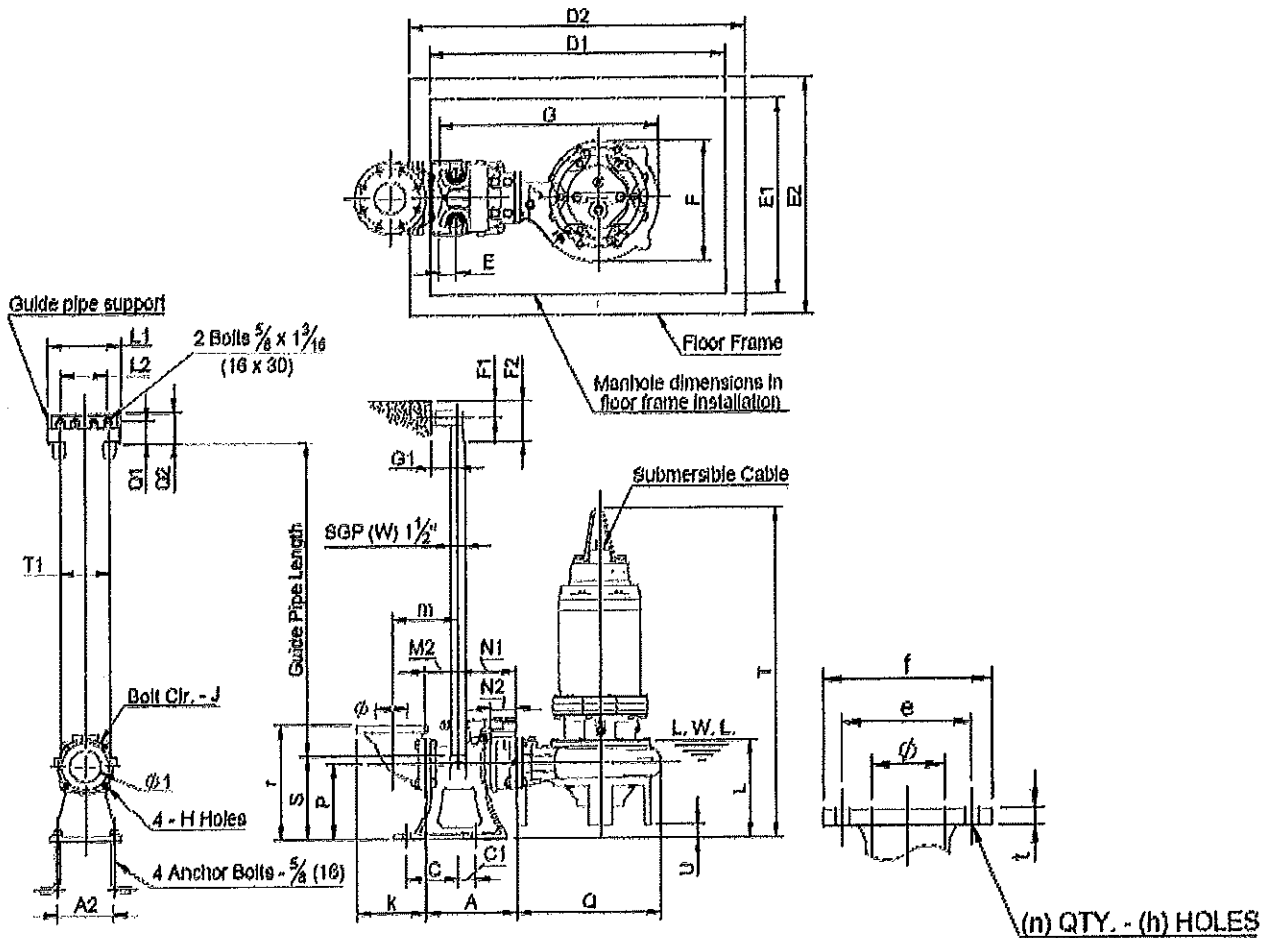
# General Arrangement

## EBARA Pumps

### Dimensions

Model: 100DLMKFU65.54 460V - Weight 309.0 lb

QDC Model: Standard LL100 4" Base - Weight 109.0 lb



PUMP & MOTOR					
F	G	L	Q	T	U
13.19	26.36	15.65	15.91	46.13	4.63

Discharge Flange (ANSI 125 PSI FF)								
ø (mm/In)	a	f	l	n	h	r	m	k
100 / 4	7.52	9.02	0.94	0.31	0.75	14.37	8.27	8.66

QDC																
A	A1	A2	B1	B2	C	C1	H	J	M2	N	N1	N2	P	S	ø1	
11.42	-	7.09	-	-	6.60	2.17	0.75	6.89	4.13	-	7.28	3.15	9.45	10.43	3.94	

UGB								
E	F1	F2	G1	L1	L2	Q1	Q2	T1
2.17	1.57	3.64	3.35	9.69	5.91	2.76	3.94	6.30

ACCESS HOLE			
D1	D2	E1	E2
31.50	36.61	27.56	32.68

**NOTES:**

1. Dimensions are in inches

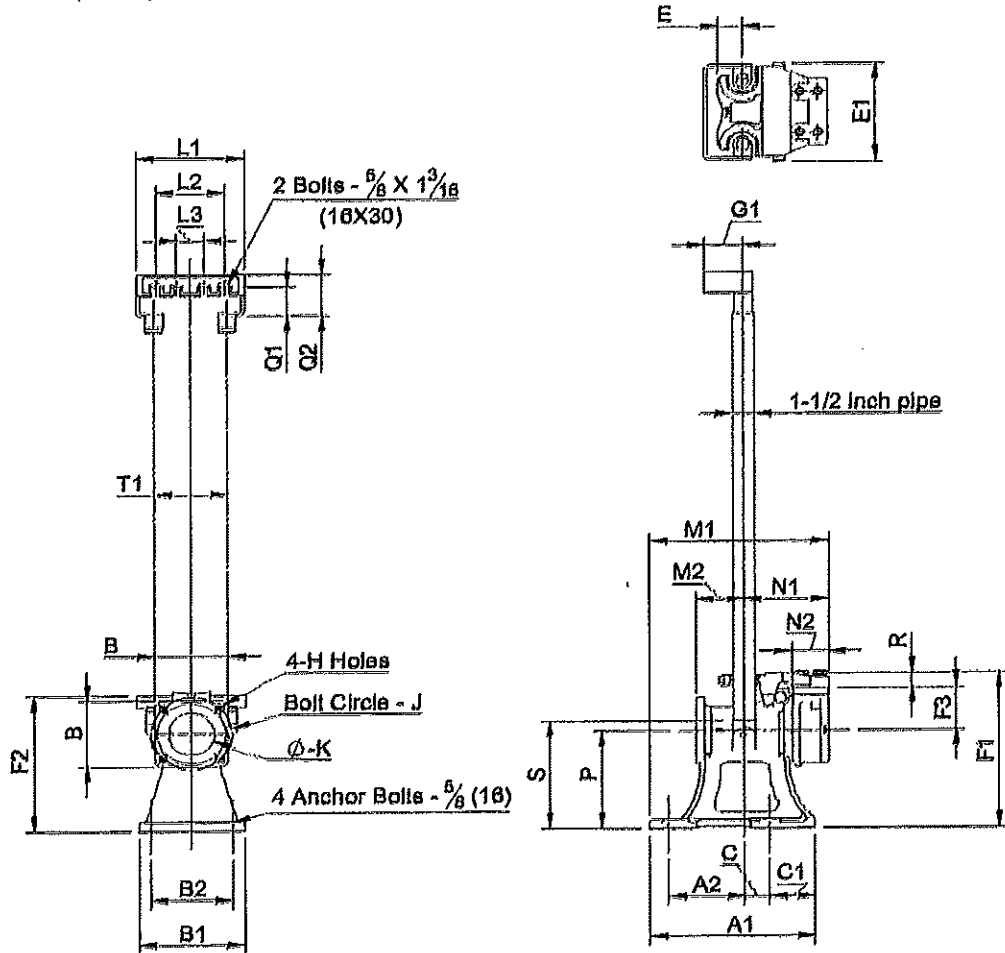
# EBARA Quick Discharge Connector

## Dimensions

Project: \_\_\_\_\_ Model: \_\_\_\_\_ Chk'd: \_\_\_\_\_ Date: \_\_\_\_\_

### Model LL100

Weight: 101 Lb (46 kg)



### Dimensions: Inch

A1	A2	B	B1	B2	C	C1	E	E1	F1	F2
14.19	6.50	6.31	9.06	7.06	2.19	3.94	2.19	9.44	14.94	12.63
F3	G1	H	J	K	L1	L2	L3	M1	M2	N1
4.13	3.38	0.76	6.88	4	9.69	5.88	2.38	15.38	4.13	7.31
N2	P	Q1	Q2	R	S	T1				
3.13	9.44	2.75	3.94	1.38	10.44	6.31				

### Dimensions: mm

A1	A2	B	B1	B2	C	C1	E	E1	F1	F2
360	165	160	230	180	55	100	55	240	380	320
F3	G1	H	J	K	L1	L2	L3	M1	M2	N1
105	85	19	175	100	246	150	60	390	105	185
N2	P	Q1	Q2	R	S	T1				
80	240	70	100	35	265	160				



**EBARA**

EBARA International Corporation, Fluid Handling Division  
www.pumpsebara.com

rev 04/16