

S.C. HIGHWAY NO. 170 R/W VARIES
SCDOT OWNED

S.C. HIGHWAY NO. 170 R/W VARIES

S.C. HIGHWAY NO. 170 R/W VARIES

S.C. HIGHWAY NO. 170 R/W VARIES
SCDOT OWNED

S.C. HIGHWAY NO. 170 R/W VARIES

S.C. HIGHWAY NO. 170 R/W VARIES

FUTURE DEVELOPMENT

- NOTES:**
- PROPOSED UTILITY TRANSFORMER LOCATION.
 - COORDINATE WITH LANDSCAPE LIGHTING CONTRACTOR FOR THE EXACT SIGN LOCATION AND POWER CONNECTION.

LED LUMINAIRE SCHEDULE

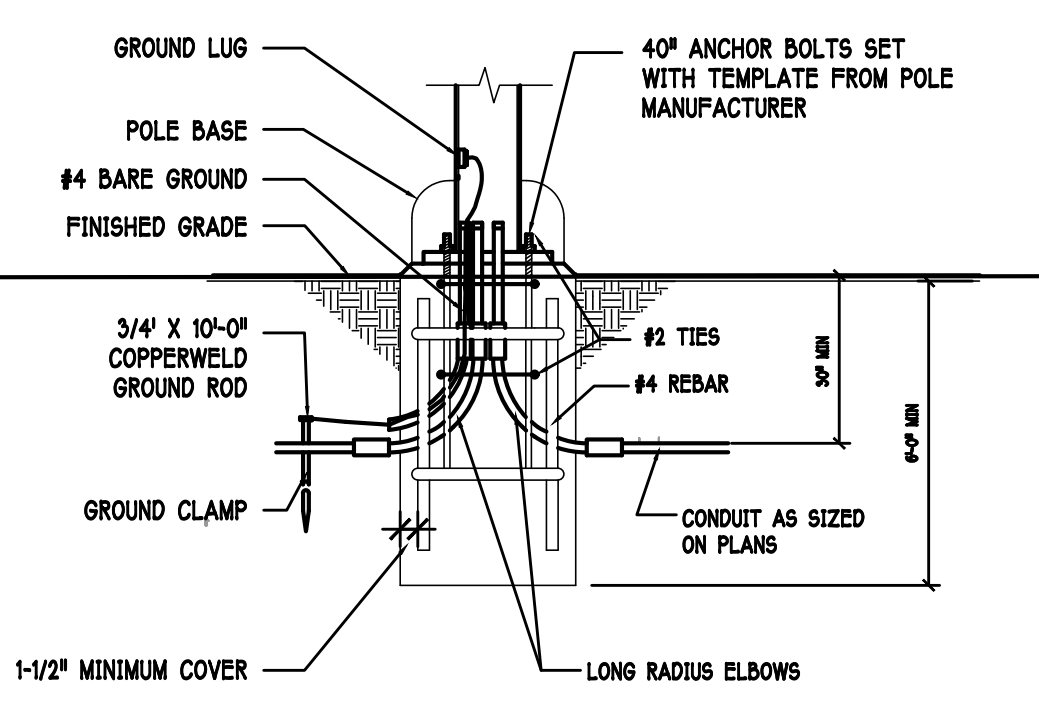
Type	Techlight - Catalog Number	Total Lumen Output	Total Input Watts	Fixture Height
PL	CTL C 10L FAW 5215	7305.4	78	FULL CUT-OFF 20 FT POLE

SHIELDS AS REQUIRED FOR PROPERTY TRESSPASS

PHOTOMETRIC CALCULATION SUMMARY

Description	Symbol	Avg	Max	Min	Max/Min	Avg/Min
Paved Parking	+	0.9 fc	3.3 fc	0.2 fc	16.5:1	4.5:1
Property Line	+	0.0 fc	0.0 fc	0.0 fc	N/A	N/A

BUILDING MOUNTED LUMINAIRES ARE NOT INCLUDED IN THE ILLUMINATION CALCULATIONS.



1 ELECTRICAL SITE PLAN
E-6.00 1" = 50'-0"

2 LIGHT POLE DETAIL
E-6.00 N.T.S.

No.	Date	Description
0	5.20.24	30% Set
	6.21.24	60% Set
	7.10.24	For Permit
	7.19.24	For Permit Updated

Job Number: 5453
File Reference:
Scale:

VENTURE AT OKATIE BLUFF
APARTMENTS
BLUFFTON, SOUTH CAROLINA

VP ENGINEERING
Vitality • Integrity • Planning • Technology

Viretta Pappas
Consulting Engineers, P.A.
P.O. Box 12540
Charlotte, North Carolina 28220
704-372-7755
www.vpe.com

ELECTRICAL SITE PLAN

Sheet Number:
E-6.00



Catalog Number	
Project	Type

FEATURES & SPECIFICATIONS

APPLICATION — The Cutlass Series of high output LED luminaires are designed for new outdoor parking area lighting and to be a replacement for HID area lights. They are optimal for lighting applications where long life, low maintenance, and consistent color rendering is required. The high efficient/lumen output allows the fixture to be used for parking, restaurant, quick service, shopping centers, or general area lighting applications.

CONSTRUCTION — The heavy-duty housing is constructed of cast aluminum with heat dissipating fins. The optical assemblies are sealed in place using a silicone gasket for weather tight protection. ETL listed for wet locations (IP65). Each fixture can accommodate advanced wireless control, management and reporting systems for outdoor lighting when ordered with the optional accessories (verify compatibility if using controls supplied by others) such as CTLARM mounting (required).

FINISH — A corrosion-resistant epoxy E-Coat layer that forms a uniform and all-encompassing protective barrier is applied to the fixtures prior to electrostatically applying a super durable powder coat finish. Standard colors available: Black, Bronze, US Green, White. Custom colors available upon request.

OPTICAL SYSTEM — Made with a state of the art UV stabilized acrylic high performance refractive optical assemblies that use high transmittance materials to achieve precise photometric distributions. Available in Type II, III, IV, Automotive Frontline Wide, IV Tennis, V Medium and V Wide beam configurations. Star Light Friendly (meets or exceeds Dark Sky requirements) in the horizontal position. Full Cutoff Luminaire.

ELECTRICAL SYSTEM — Available in up to 45,000 LED lumens in most optical distributions with either 5000K Cool White (+/- 500K), 4000K Neutral White or 3000K Warm White color temperatures. LED's rated for over 100,000 hours at 55°C ambient temperature. Available with 120-277V 50/60 Hz power supply. 480V and 347V input option or 0-10V dimming. Built-in surge protection up to 10 kV. Built-in Active PFC Function LED driver conforms to UL8750 standards.

ORDERING INFORMATION

Choose the bold face options for the appropriate luminaire configuration for your application and enter on the line above each fixture attribute. Accessories may be factory installed, depending on the particular accessory chosen, but still be ordered as a separate line item.

CTL							
SERIES	COLOR TEMP		NOMINAL LUMENS	OPTICS	VOLTAGE	FINISH	OPTIONS
	C = Cool White (5000K) N = Neutral White (4000K) W = Warm White (3000K)	2 Modules	5L = 5,000 Lumens 8L = 8,000 Lumens 10L = 10,000 Lumens 12L = 12,000 Lumens 15L = 15,000 Lumens 20L = 20,000 Lumens	T2 = Type II T3 = Type III T4 = Type IV FAW = Frontline Auto Wide T4T = Type IV Tennis T5M = Type V Medium T5W = Type V Wide	1 = Multi-Volt ¹ 2 = 347-480V(HV)	BZ = Bronze BK = Black GR = US Green WH = White SP = Special ²	PCR7 ³ = 7 Pin Twist-Lock Photocell Receptacle ANSI C136.41 & Receptacle Shorting Cap 2AF ^{6,7} = 2" Adjustable Slip Fitter DLP ⁹ = Dimming Leads Pulled HOEB ¹⁰ = LED Battery Pack, 90 mins
		4 Modules	25L = 25,000 Lumens 30L = 30,000 Lumens 35L = 35,000 Lumens 40L = 40,000 Lumens 45L ⁸ = 45,000 Lumens				CTL ARM IMS ^{9,11} = Arm with Integrated PIR Motion Sensor For Square Pole CTL ARM R IMS ^{9,11} = Arm with Integrated PIR Motion Sensor For Round Pole <i>(IMS Lenses Below, Ordered As A Separate Line Item)</i> TLWSFSP-L2 ¹² = 360° lens, maximum coverage: 48ft diameter from 8ft height TLWSFSP-L3 ¹² = 360° lens, maximum coverage: 40ft diameter from 20ft height TLWSFSP-L7 ¹² = 360° lens, maximum coverage: 100ft diameter from 40ft height

FIXTURE WEIGHTS (APPROX)		
Fixture Configuration	2 Module	4 Module
Weight (lbs)	14 lbs	20 lbs

ACCESSORIES

(Order as separate line items. Specify finish for accessories.)

- PC2** 480V Twist-Lock Photocell
 - PC7** Multi-Tap (105-285V) Twist-Lock Photocell
 - CTLISM**^{3,6} Slide Mount Adaptor
 - CTLB15**⁷ Adjustable Yoke Mount with Slide Adaptor
 - CTL ARM**⁸ Decorative Arm Mount (0.3 EPA, 3.5 lbs)
 - CTL ARM R**⁸ Decorative Arm Mount for Round Poles (0.3 EPA, 3.7 lbs)
 - S215**⁴ Angled Back Light Shield
 - CTLHT238** Horizontal 2-3/8" OD Tenon Mount
 - VBWM** Wall Mount Adaptor
 - TLWSFIR-100** Remote Handheld Configurator Tool for IMS Sensors
- MOUNTING OPTIONS** See page 3



DLC DesignLights Consortium® Qualified. Please go to www.designlights.org for the current Qualified Products List. Further details about qualified models may be found under Family Models.

CTL SERIES

High Lumen Output Cutlass LED Area Light



Picture shows:
CTL 45L w/ CTLARM

SERIES	HOUSING HEIGHT	LENGTH & WIDTH	EPA (FT ³)
CTL	4.44"	17.25" x 12.00"	See Chart

MOUNTING — Proprietary slide-on mounting system allows for quick installation. The CTL can be ordered with an aesthetically pleasing arm mount (CTLARM – required for integrating dynamic control systems), a 2" adjustable slip fitter (CTL2AF) for mounting on a standard 2-3/8" OD tenon and an entire compliment of pole brackets with integrated quick mount technology. CTLISM for direct mounting to poles in single(1 @ 90°) or D180 (2 @ 180°).

LISTINGS — Complies with UL8750. ETL listed for wet locations. Meets US and Canadian safety standards. -40°C to 50°C ambient operation. RoHS Compliant.

WARRANTY — The complete luminaire is covered by a 5-year limited warranty.

EXAMPLE:

CTL C 45L T5M 1 BZ

NOTES

- ¹ = Multi-Volt is an auto ranging power supply from 100V to 300V input.
- ² = Custom RAL color matching is available. Contact your sales representative for additional info.
- ³ = Slide mount adaptor for direct pole mounts cannot be used when mounting fixtures at 90° increments.
- ⁴ = Requires one S215 for 5L-20L units; two S215 for 25L-45L units.
- ⁵ = PCR7 photocell receptacle must be oriented in the field so that the light sensor on the control is facing North. When used with the CTL2AF, the fixture must be in a downward facing position (<90° tilt). Use of the PCR7 with a fixture in an upward facing position will void warranty.
- ⁶ = Accessory mounting device must be ordered for each cutlass luminaire to provide mounting means.
- ⁷ = Do not tilt the CTL more than 75 degrees upward from horizontal when using the CTL2AF & CTLB15.
- ⁸ = Only available in certain optics and wattages. See LUMINAIRE CHARACTERISTICS chart for details.
- ⁹ = DLP Option Required for Arms with Integrated IMS Motion Sensors.
- ¹⁰ = Only available in 5L, 8L, 10L, 12L and 15L.
- ¹¹ = TLWSFSP-L2, L3, or L7 Lens must be ordered along with Arms with Integrated PIR Motion Sensors.
- ¹² = Photo control shield available upon request. Lens must be ordered with IMS option.
- ¹³ = WHBL1 Lens must be ordered along with Arms with Integrated PIR Motion Sensors.
- ¹⁴ = See pg. 5 for specific CTLTH configurations and TH spec sheet for specifications.