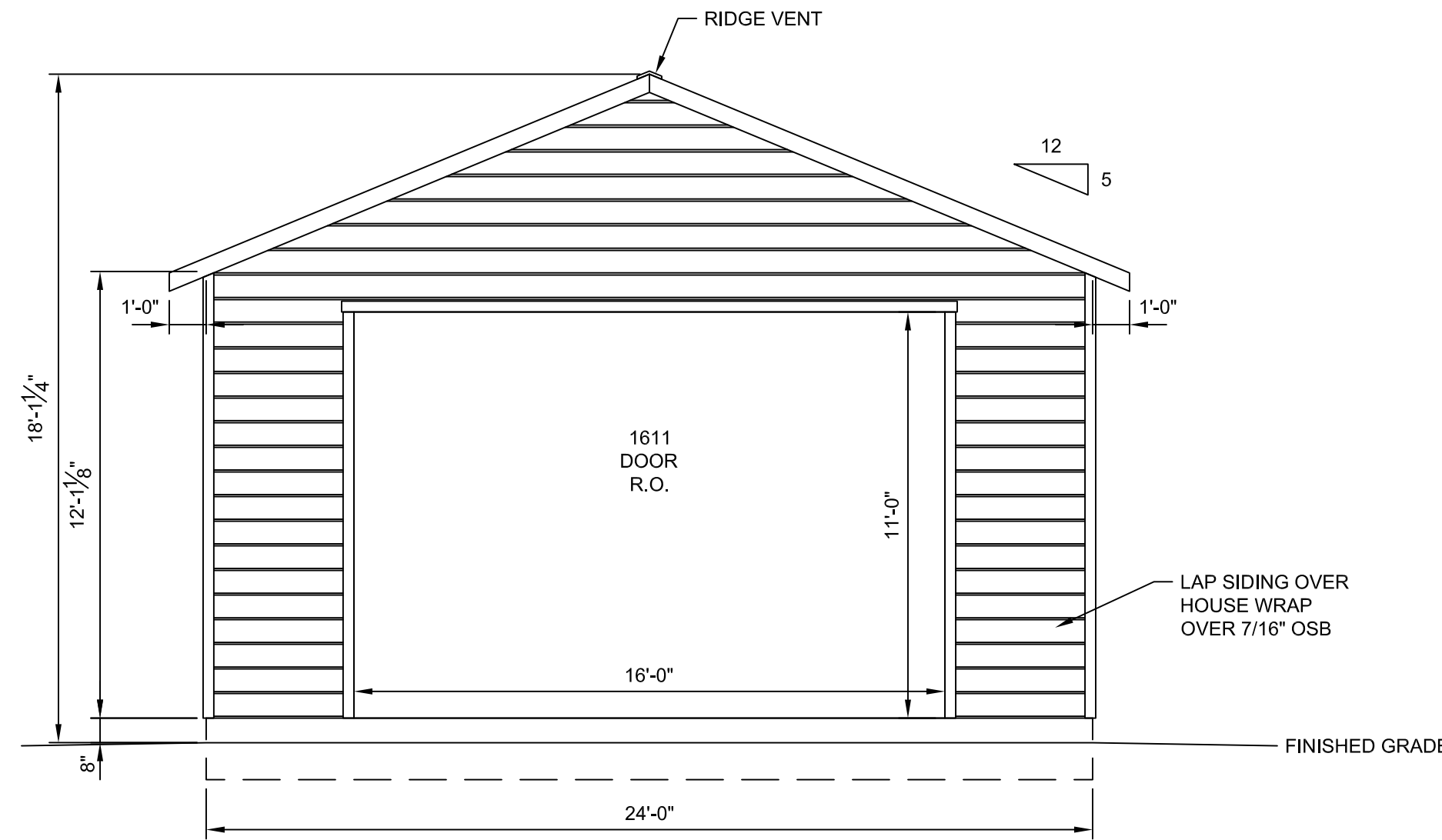
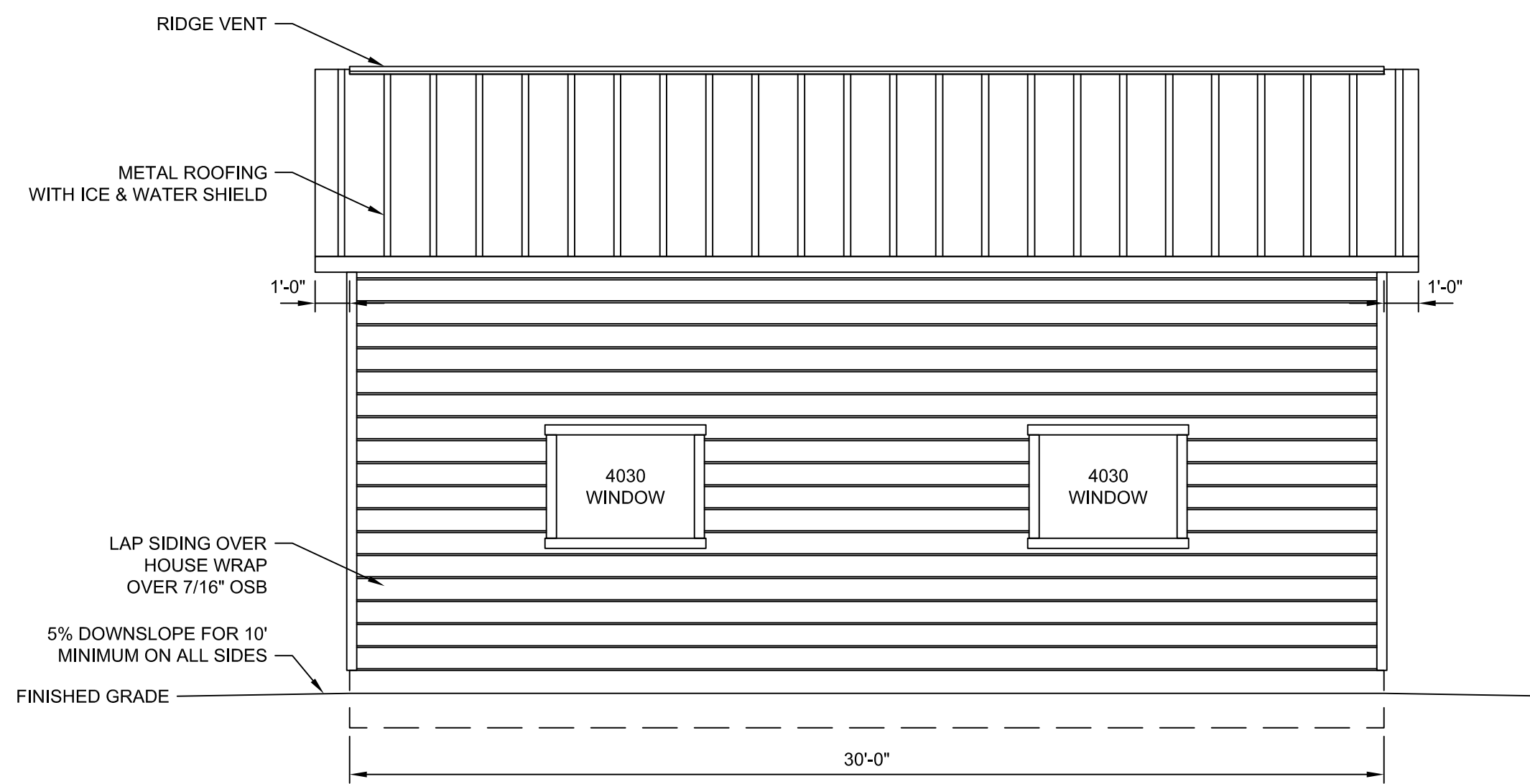


ACCESSORY BUILDING
24' X 30' = 720 SQ FT

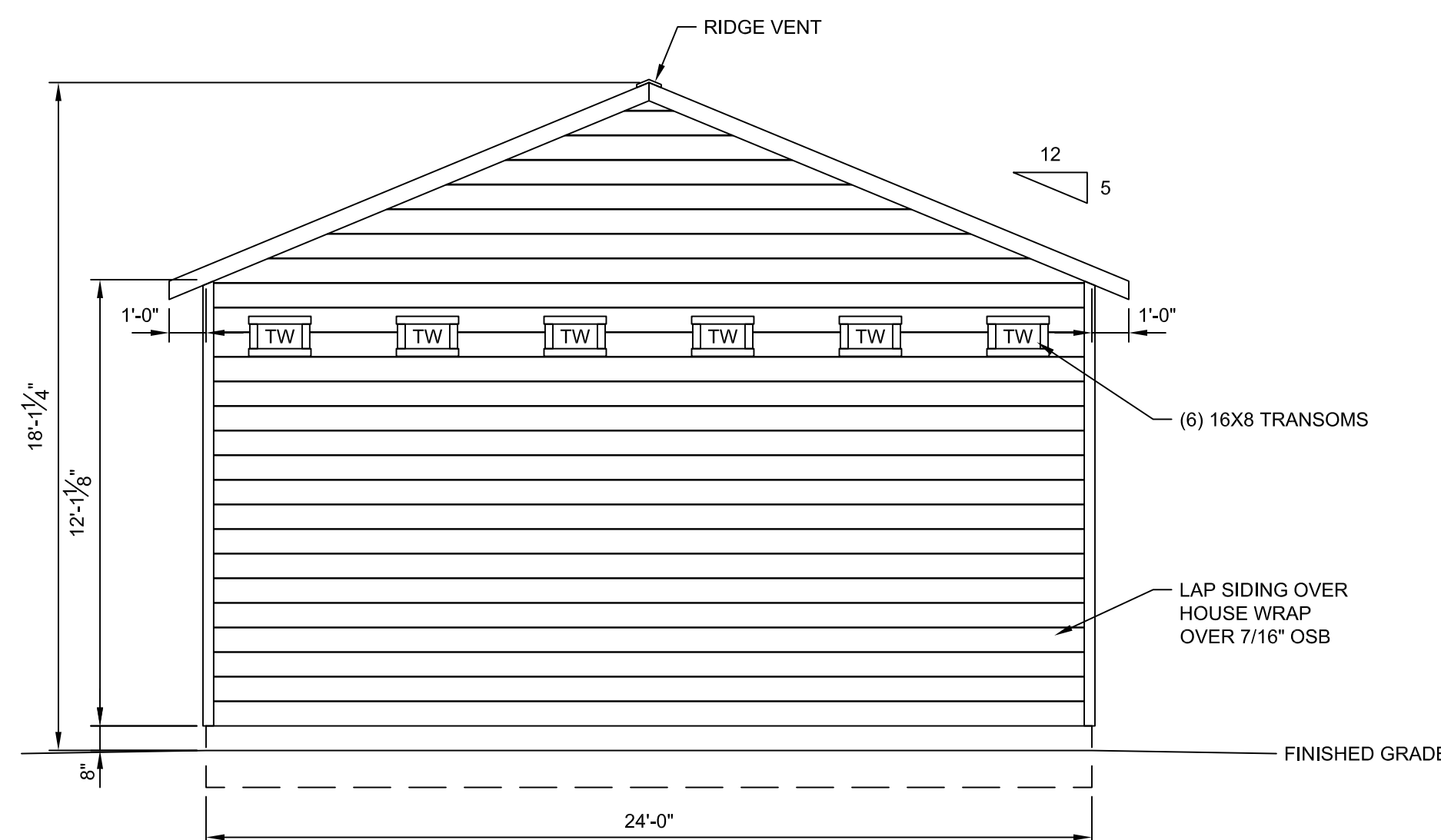
DRAWING INDEX
S1 - PROJECT NOTES, ELEVATIONS
S2 - PLANS, SHEAR WALL SCHEDULE
S3 - SECTIONS, DETAILS



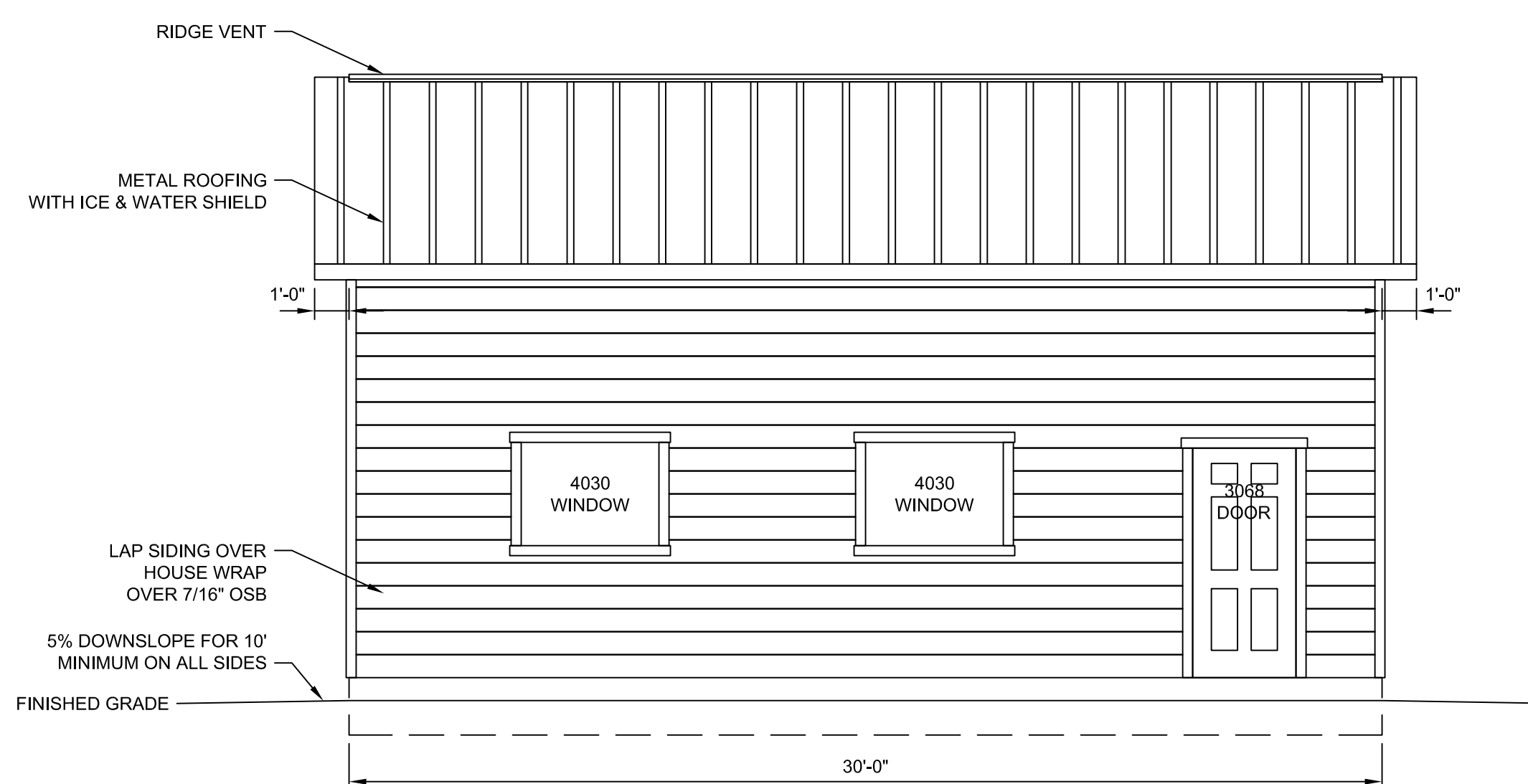
WALL A ELEVATION



WALL B ELEVATION



WALL C ELEVATION



WALL D ELEVATION

PROJECT NOTES

1. DESIGN REQUIREMENTS
GOVERNING CODES: 2018 IRC
OCCUPANCY GROUP: GROUP U
CONSTRUCTION TYPE: V-B
2. DESIGN SCHEDULE
A. BUILDING SIZE
WIDTH: 24'-0"
LENGTH: 30'-0"
SIDE WALL HEIGHT: 12'-1 1/8"
TOTAL HEIGHT: 17'-11 1/4"
B. ROOF PITCH: 5/12
C. BUILDING LOADS
GROUND SNOW LOAD, P_g: 100 PSF
C_s: 1.00
C_e: 1.20
I_s: 1.00
C_i: 1
ROOF SNOW LOAD, P_s: 84 PSF
ROOF LIVE LOAD: 20 PSF
ROOF DEAD LOAD: 10 PSF
D. DESIGN WIND
BASIC WIND SPEED, V: 90 MPH
WIND EXPOSURE: C
E. SEISMIC DESIGN CATEGORY: B
F. SITE CLASS: D
3. ROOFING SCHEDULE
A. ROOF SHEATHING SHALL BE APA RATED 7/16" THICK OSB WITH FOIL BACKING, 24/16 RATED MIN., UNBLOCKED DIAPHRAGM. STAGGER LAYOUT PER APA CONDITION 1.
B. SHEATHING NAILING SHALL BE PER NAILING SCHEDULE.
C. METAL ROOF (U.N.O.).
D. GAF FELTBUSTER.
E. TYPE 'D' METAL DRIP EDGE FLASHING REQUIRED ALL SIDES.
F. TRUSSES SHALL BE SPACED @ 16" O.C.
G. SEE SEPARATE TRUSS SHEETS FOR TRUSS FRAMING AND MATERIALS.
H. TRUSSES MUST BE BRACED ACCORDING TO THE LATEST EDITION OF THE BUILDING COMPONENT SAFETY INFORMATION GUIDE TO GOOD PRACTICE OF METAL PLATE CONNECTED WOOD TRUSSES (BCSI)
I. TRUSS CONNECTION PLATES 'EAGLE METAL PLATES'.
J. THE TRUSS PLATE INSTITUTE (TPI) (NER QA 430) IS THE INSPECTION AGENCY RESPONSIBLE FOR IN-PLANT INSPECTIONS.
K. TRUSS MANUFACTURER: TUFF SHED, INC.
4. WOOD FRAMING
A. ALL HEADERS ARE SPF #2 (U.N.O.).
B. ALL WALL FRAMING MEMBERS SHALL BE SPF STUD GRADE OR BETTER.
C. STUDS SHALL BE SPACED @ 16" O.C.
D. FASTEN EXTERIOR WALL SHEATHING TO FRAMING PER NAILING SCHEDULE.
E. PROVIDE SOLID BLOCKING AT ALL HORIZONTAL JOINTS OCCURRING IN BRACED WALL PANELS.
F. SHEAR WALL MATERIAL AND NAILING SHALL BE AS SPECIFIED IN SHEAR WALL SCHEDULE.
G. LAMINATED VENEER LUMBER (LVL) SHALL BE LVL 2.0E-2600 F_b WITH THE FOLLOWING MIN. DESIGN VALUES: F_b = 2600 PSI, F_v = 1555 PSI, F_r = 285 PSI, F_{ch} = 2510 PSI, F_{cL} = 750 PSI, E = 2.0 x 10⁶ PSI, SG = 0.50
5. SOIL
A. MIN. REQUIRED SOIL TYPE SHALL BE CLAY, SANDY CLAY, SILTY CLAY, OR CLAYEY SILT (CL, ML, MH & CH). PRESCRIPTIVE ALLOWABLE SOIL BEARING PRESSURE USED IN DESIGN IS 1500 PSF AT 40" DEEP. VALUES ARE PER TABLE R401.4.1.
B. ALL FOOTINGS SHALL BE FOUNDED ON UNDISTURBED NATURAL SOIL.
C. IN THE EVENT OF THE DISCOVERY OF EXPANSIVE SOILS OR UNFAVORABLE CONDITIONS, THE SERVICES OF A SOILS ENGINEER MAY BE REQUIRED.
6. PERMIT
A. PERMIT APPLICATIONS, WHERE NO PERMIT IS ISSUED, SHALL EXPIRE PER LIMITATIONS SET BY LOCAL CODES. SECTION R105.
B. JOB CARD REQUIRED TO BE AVAILABLE FOR SIGNATURE AT JOB SITE
7. GENERAL NOTES
A. INSTALLATION PROCEDURES SHALL CONFORM TO OSHA STANDARDS. BUILDER SHALL PROTECT ALL ADJACENT PROPERTY, STRUCTURES, TREES, UTILITIES, ETC.
B. BUILDER IS RESPONSIBLE FOR SAFETY OF BUILDING DURING CONSTRUCTION. PROVIDE ALL SHORING OR BRACING AS REQUIRED AND PER GOVERNING REGULATIONS.
C. ALL WOOD CONSTRUCTION CONNECTORS REFERENCED IN THIS DRAWING SHALL BE SIMPSON 'STRONG-TIE' OR EQUIVALENT INSTALLED PER MANUFACTURER'S SPECIFICATIONS.
D. GREEN VINYL SINKER NAILS DO NOT MEET THE NAILING REQUIREMENTS OF COMMON NAILS.
8. MATERIAL EVALUATION REPORT IDENTIFICATION
A. TRUSS CONNECTION PLATES BY EAGLE METAL PLATES PER ICC-ES REPORT #ESR-1082.
B. SMARTSIDE SIDING BY LP CORPORATION PER ICC-ES REPORT #ESR-1301.
C. HARDIE PANEL SIDING BY JAMES HARDIE BUILDING PRODUCTS PER ICC-ES REPORT #ESR-1844.
D. HARDIE PLANK LAP SIDING BY JAMES HARDIE BUILDING PRODUCTS PER ICC-ES REPORT #ESR-2290.
E. LAMINATED VENEER LUMBER (LVL) BY WEYERHAEUSER PER ICC-ES REPORT #ESR-1387.
F. ASPHALT SHINGLES BY GAF PER ICC-ES REPORT #ESR-1475.
G. FELTBUSTER ROOFING UNDERLAYMENT BY GAF PER ICC-ES REPORT #ESR-2808.
H. HDU PRE-DEFLECTED HOLD-DOWNS BY SIMPSON STRONG-TIE PER ICC-ES REPORT #ESR-2330.
I. SSTB ANCHOR BOLTS BY SIMPSON STRONG-TIE PER ICC-ES REPORT #ESR-2611.

Digitally signed by Patrick D. Quinney, P.E.
DN: cn=Patrick D. Quinney, P.E., o=Quinney Associates, LLC, email=pquinney@live.com, c=US
Date: 2024.01.24 07:57:32 -0700

STRUCTURAL DRAWINGS BY:
TUFF SHED
IN HOUSE DRAFTING DEPARTMENT
1777 S. HARRISON STREET
DENVER, COLORADO 80210
(303) 753-7UFF

SO # 2026659 EP # 19103
Customer: BOB TURGEON
Description:
ACCESSORY BUILDING
24' X 30' = 720 SQ FT
Site Address:
537 BLUE RIVER ROAD
BRECKENRIDGE, CO 80424

THESE DRAWINGS AND THE DESIGN ARE THE PROPERTY OF TUFF SHED, INC. THESE DRAWINGS ARE FOR A BUILDING TO BE SUPPLIED AND BUILT BY TUFF SHED. ANY OTHER USE IS FORBIDDEN BY TUFF SHED, INC.

TUFF SHED
Storage Buildings & Garages
TUFF SHED, INC.
4500 GRAPE STREET
DENVER, CO 80216
(303) 399-8833

Drawn By: TB
Date: 1/2/24
Checked By:
Date:
Revised:
Revised:

Title:
PROJECT NOTES
ELEVATIONS

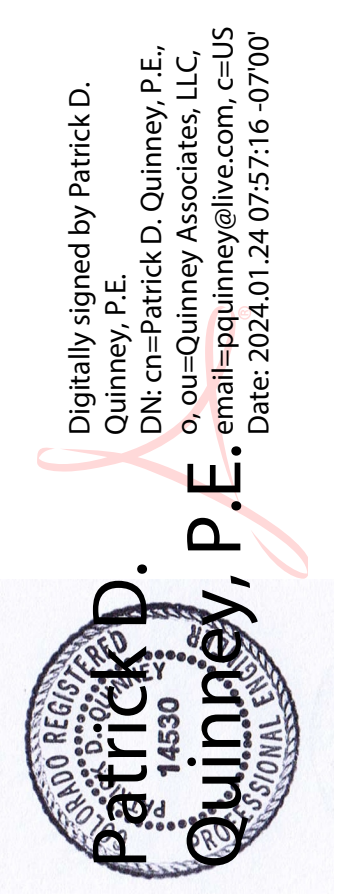
Scale: 1/4" = 1'-0"
Sheet:

S1
Sheet 1 of 3

NAILING SCHEDULE		SHEAR WALL SCHEDULE		SHEAR WALL SCHEDULE		SHEAR WALL SCHEDULE	
		CALC. SHEAR LOAD (lb/ft)	ALLOW. SHEAR LOAD (lb/ft)	CALC. SHEAR LOAD (lb/ft)	ALLOW. SHEAR LOAD (lb/ft)	CALC. SHEAR LOAD (lb/ft)	ALLOW. SHEAR LOAD (lb/ft)
CHORD SPLICE NAILING: (8) 16d NAILS EACH SIDE OF SPLICE. TRUSS BLOCKING: (4) 16d (TOENAIL)							
FRAMING NAILING: STUD TO TOP PLATE, (2) 16d END NAIL STUD TO SILL PLATE, (2) 16d END NAIL OR (4) 8d TOENAIL DOUBLE HEADER 16d @ 16" OC ALONG EACH EDGE HEADER TO KING STUD (4) 8d TOENAIL OR (4) 16d END NAIL DOUBLE TOP PLATES, 16d @ 16" FACE NAIL							
UNLESS SPECIFIED HEREIN, ALL NAILING SHALL BE PER 2018 IRC TABLE R602.3(1).							
UPLIFT TRANSFER: PROVIDE SIMPSON H2.5A AT EACH END OF TRUSSES.							
PROVIDE 2X4 SOLID BLOCKING ON ALL UNSUPPORTED EDGES OF PLYWOOD ON SHEAR WALLS.							
UNBLOCKED ROOF DIAPHRAGM ROOF SHEATHING NAILING: BORDER: 8d COMMON @ 6" OC EDGE: 8d COMMON @ 6" OC FIELD: 8d COMMON @ 12" OC		X	167	X	164	X	164
END WALL SHEAR TRANSFER: SHEATHING AT END WALL LAPS TOP PLATE OF WALL BELOW. PROVIDE EDGE NAILING. REFERENCE END WALL ASSEMBLY /S3, OR BALLOON FRAME END WALLS.							
SIDING TESTED TO MEET THE REQUIREMENTS OF SECTION R703.1.1, EXCEPTION 2 OF THE 2018 IRC. REFER TO INTERTEK LETTER REPORT NO. 104417961MID-001R1.							

WHEN PERFORATED SHEAR WALL DESIGN IS DESIGNATED, AREAS ABOVE AND BELOW OPENINGS ARE USED IN SHEAR CALCULATIONS. REFER TO ANSI/AWC SDPWS.

FASTENER EQUIVALENCY	
SIMPSON	USP
H2.5A	RT7A
SSTB16-SSTB36	STB16-STB36
HDU2-HDU5	PHD2A-PHD5A
HDU8	PHD8
LUS24-LUS210	JUS24-JUS210
LS30/LS50	MP3/MP5
LSTA9-LSTA24	LSTA9-LSTA24
A24	TDL5
H1	RT15
H3	RT3A
H6	LFTA6
H8	LTW12
H10	RT16A
PA51/PA68	TA51/TA71
ABA44/ABA66	PA44E/PA66E
BC4/BC6	C44/C66
A311	TDL10
HST2	KHST2
SDS1/4X3 SCREW	WS3
A34	MP34
A35	MPA1
CS18/CS22	RE200/RS300
HTT4/HTT5	HTT16/HTT22
CMSTC16	CMSTC16



Structural Drawings By:
TUFF SHED
IN HOUSE DRAFTING DEPARTMENT
1777 S. HARRISON STREET
DENVER, COLORADO 80210
(303) 753-7UFF

SO #: 2026659 EP #: 19103
Customer: BOB TURGEON
Description:
ACCESSORY BUILDING
24' X 30' = 720 SQ FT
Site Address:
537 BLUE RIVER ROAD
BRECKENRIDGE, CO 80424

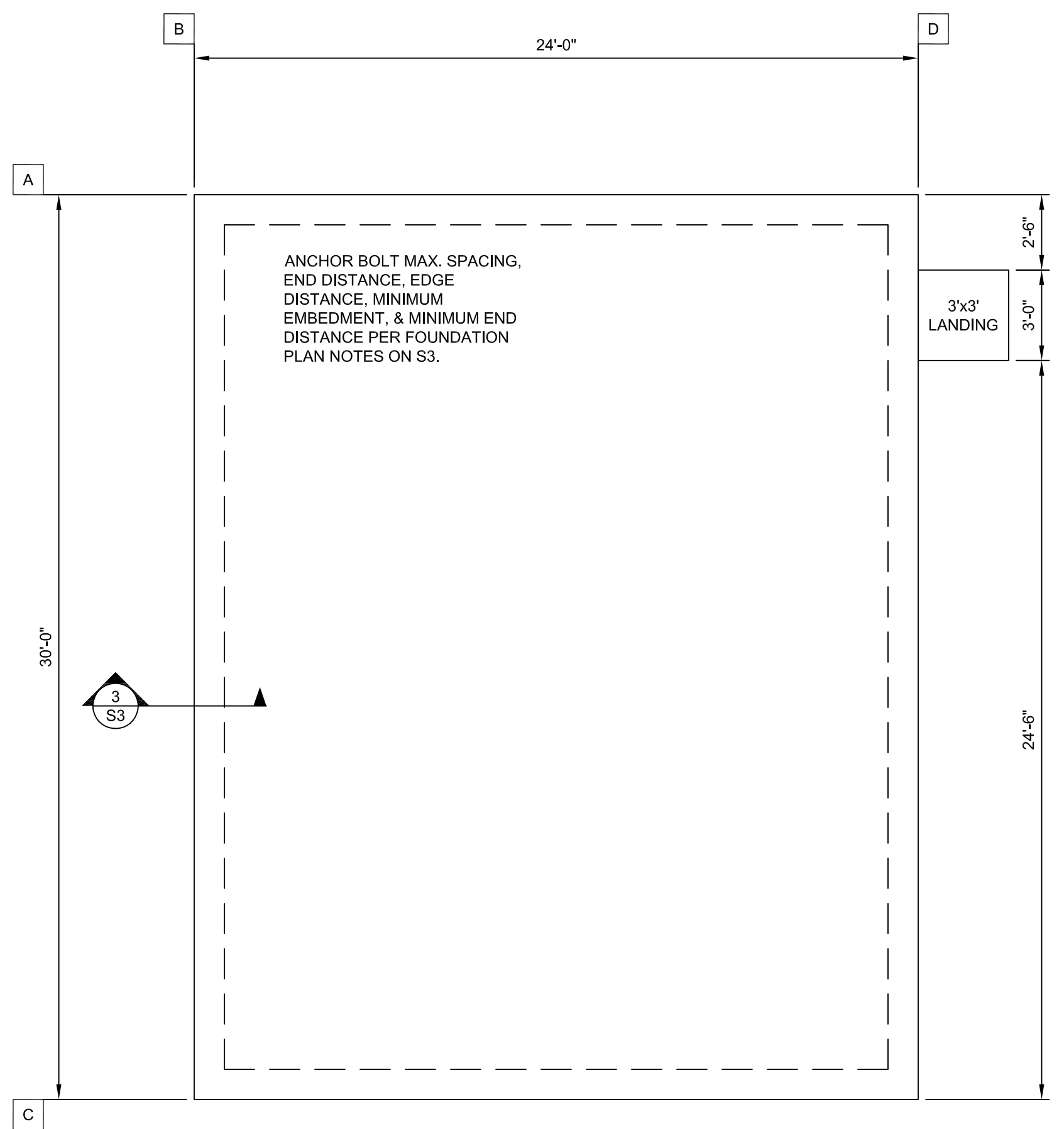
THESE DRAWINGS AND THE DESIGN ARE THE PROPERTY OF TUFF SHED, INC. THESE DRAWINGS ARE FOR A BUILDING TO BE SUPPLIED AND BUILT BY TUFF SHED. ANY OTHER USE IS FORBIDDEN BY TUFF SHED, INC.



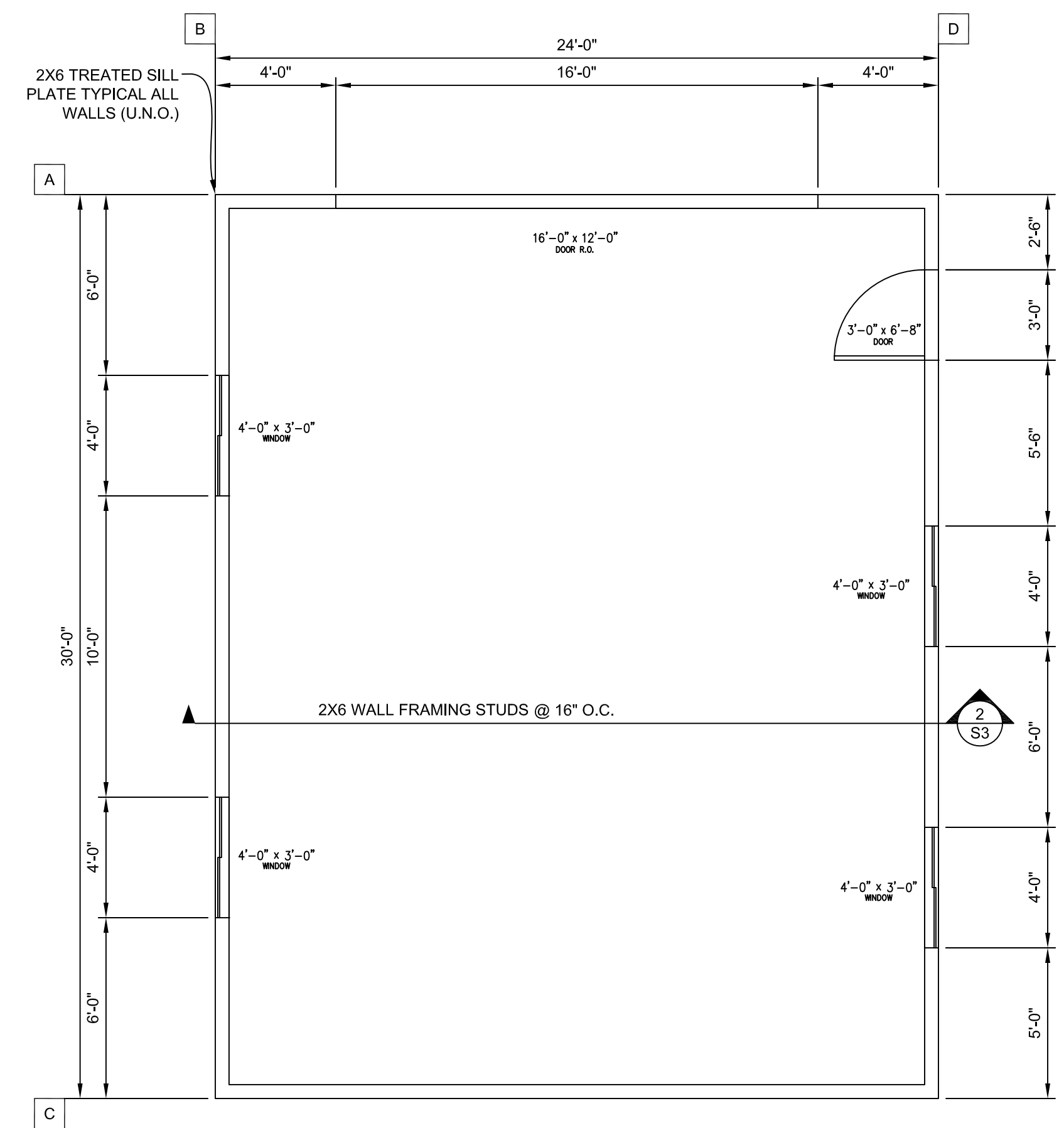
Drawn By: TB
Date: 1/2/24
Checked By:
Date:
Revised:
Revised:

Title:
PLANS
SHEAR WALL SCHED
NAILING SCHEDULE
Scale: 1/4" = 1'-0"
Sheet:

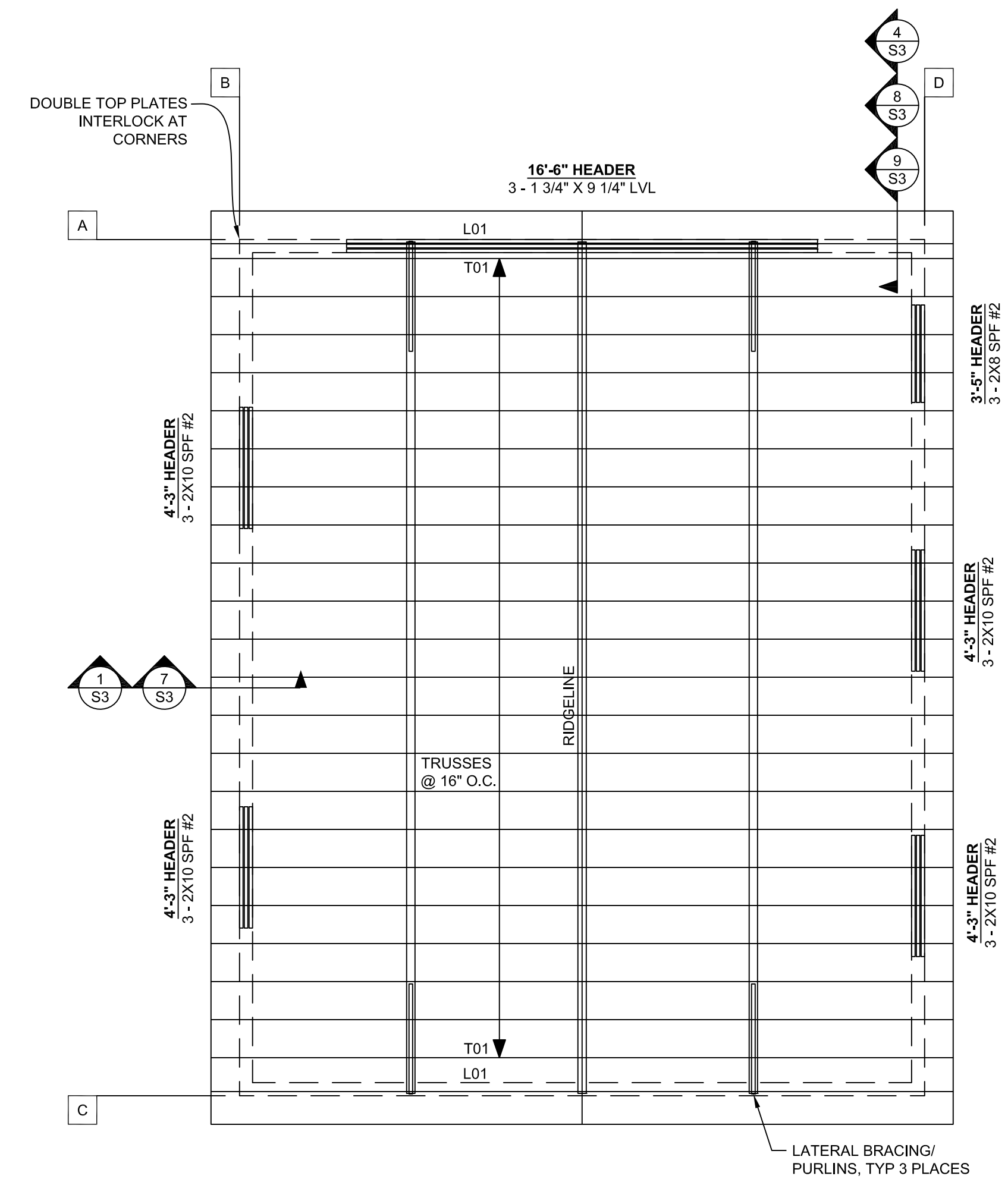
S2
Sheet 2 of 3



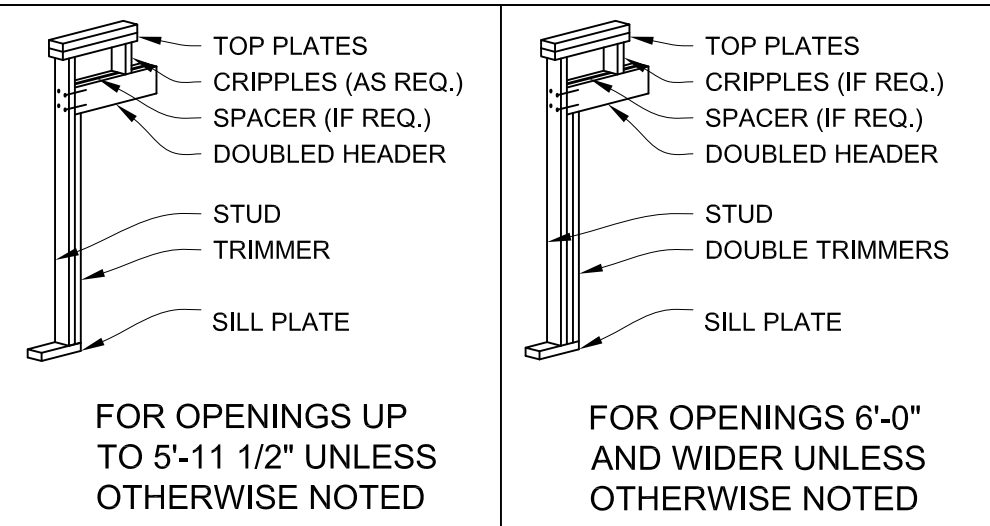
FOUNDATION PLAN



FLOOR PLAN

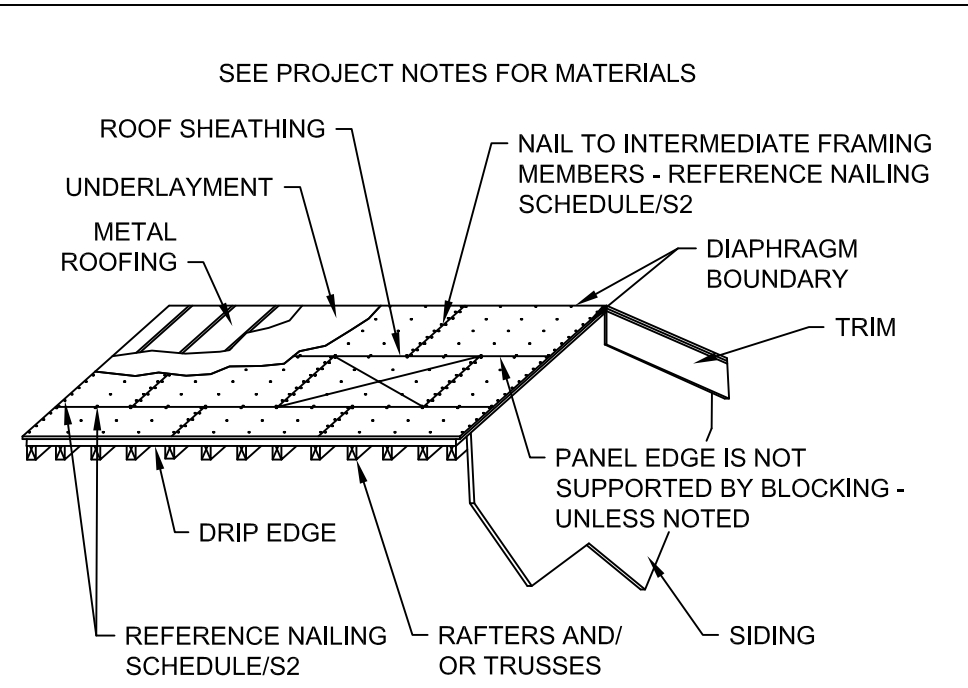


ROOF FRAMING PLAN

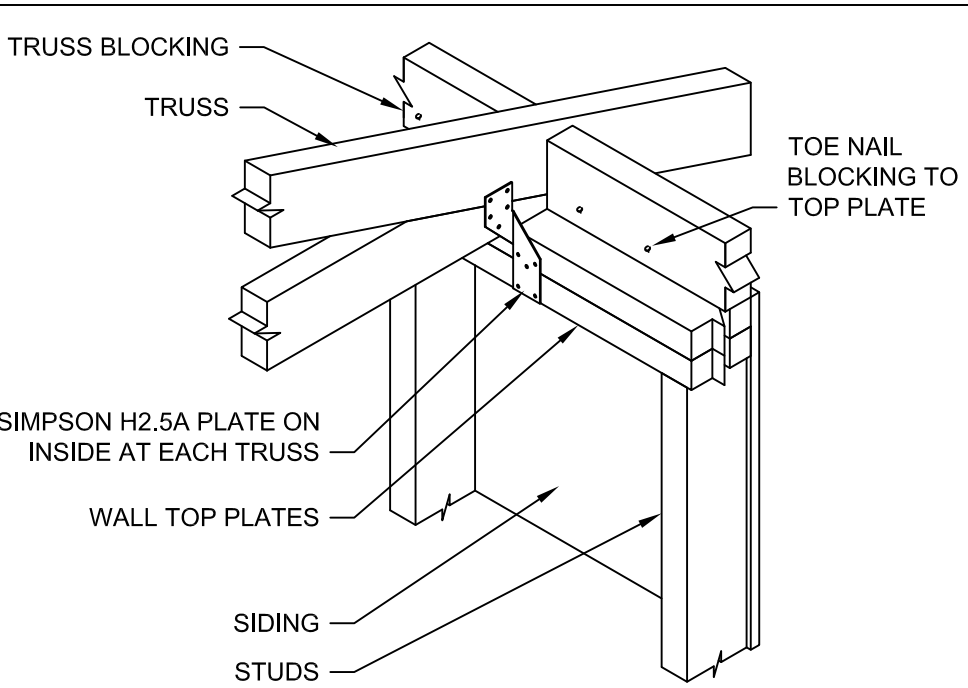


NAILING:
 HEADER TO STUD - (4) 8d TOENAIL OR (4) 16d END NAIL
 DOUBLED HEADER - 16d @ 16\"/>

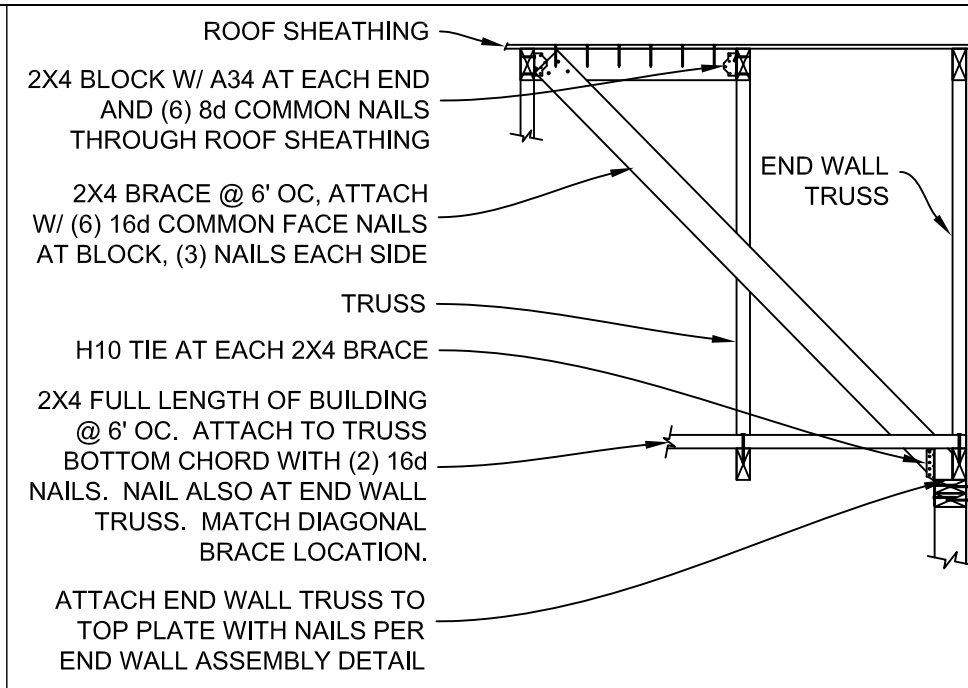
5 **HEADER DETAIL**
 NOT TO SCALE



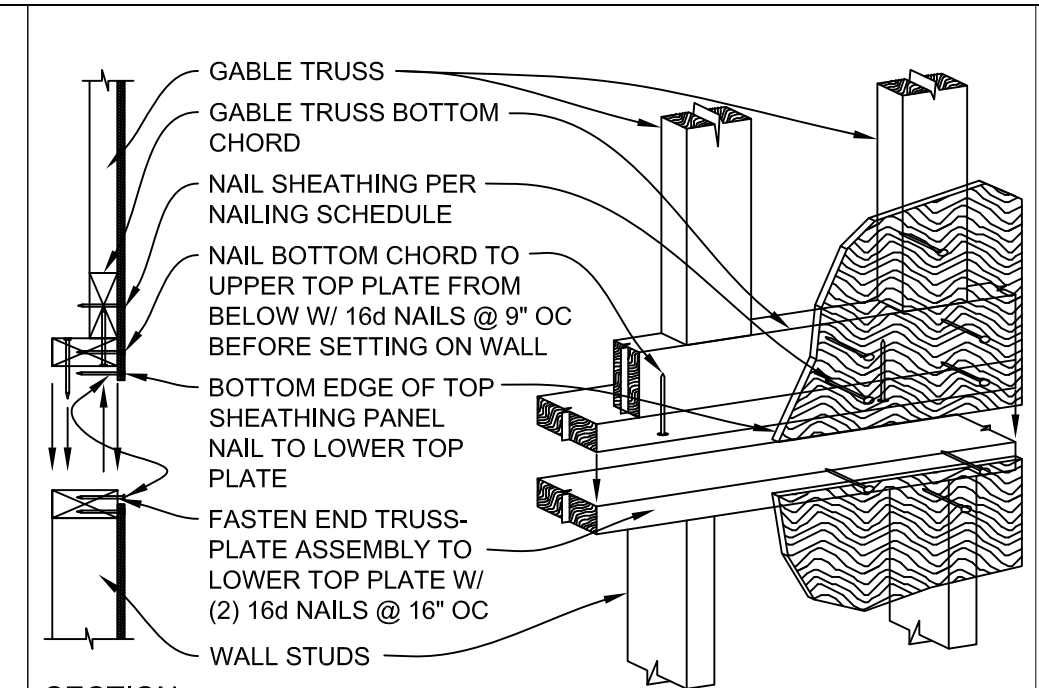
6 **ROOFING SHEATHING NAILING DTL**



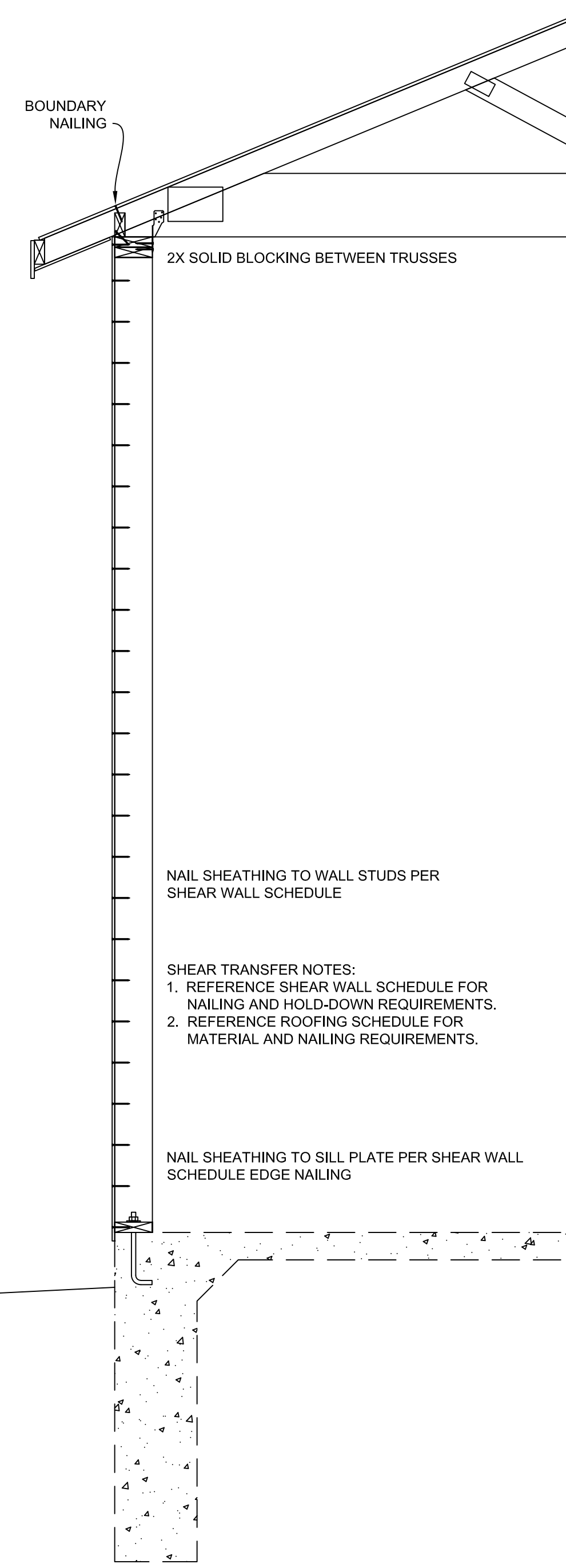
7 **H2.5A RANCH TRUSS ATTACHMENT
 DETAIL WITH BOTTOM CHORD**



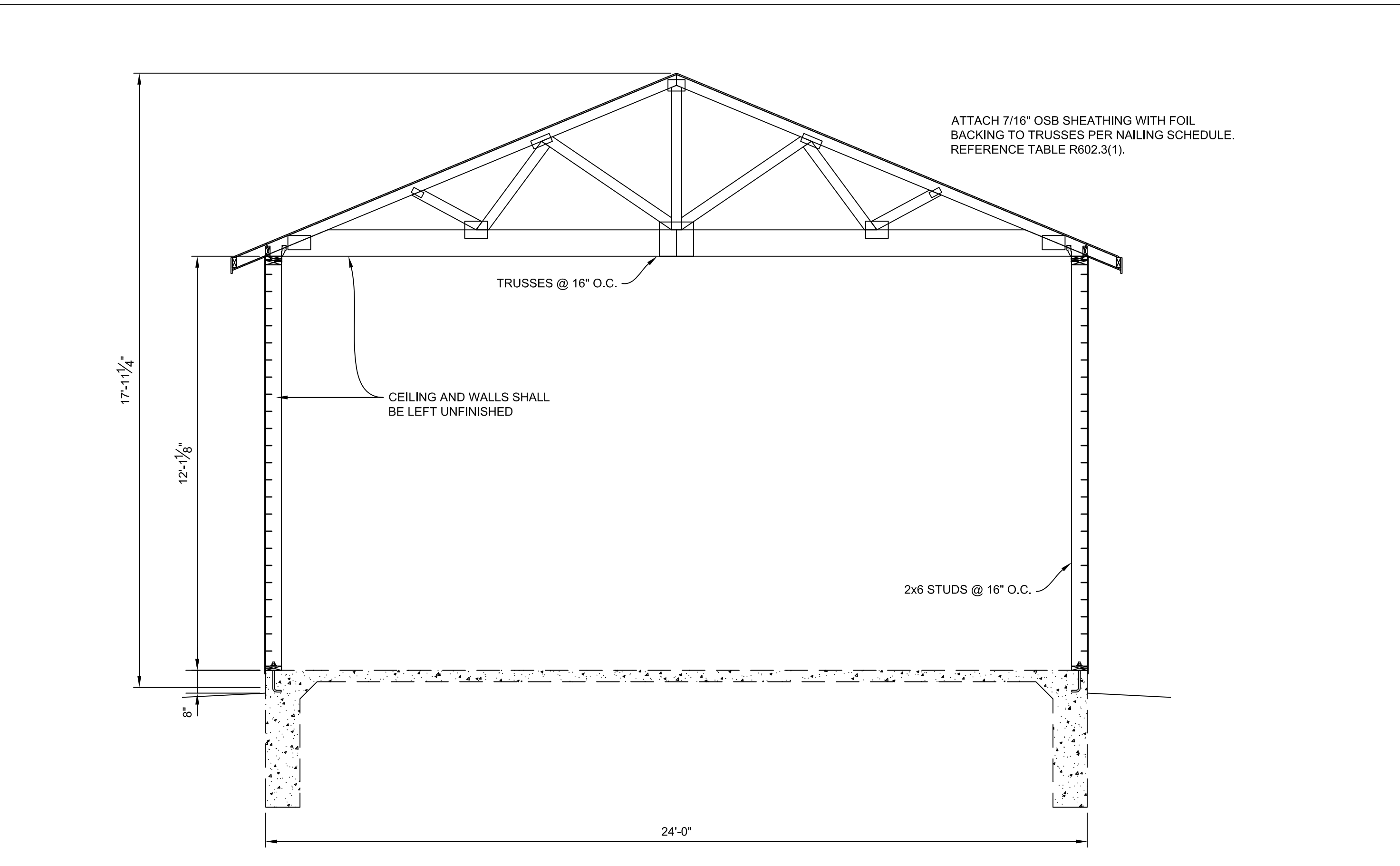
8 **LATERAL BRACING/PURLIN DETAIL**
 NOT TO SCALE



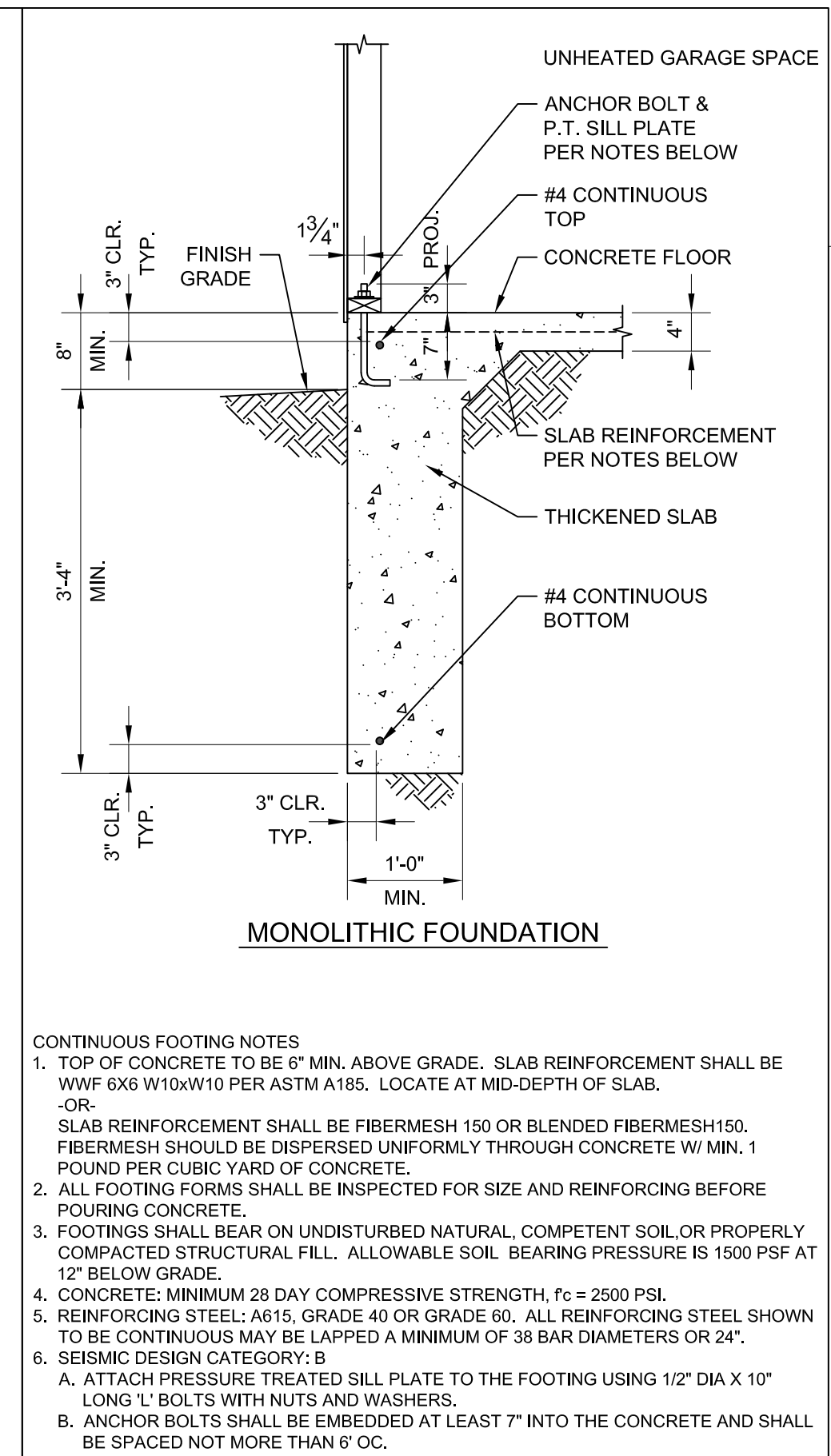
9 **END WALL ASSEMBLY DETAIL**



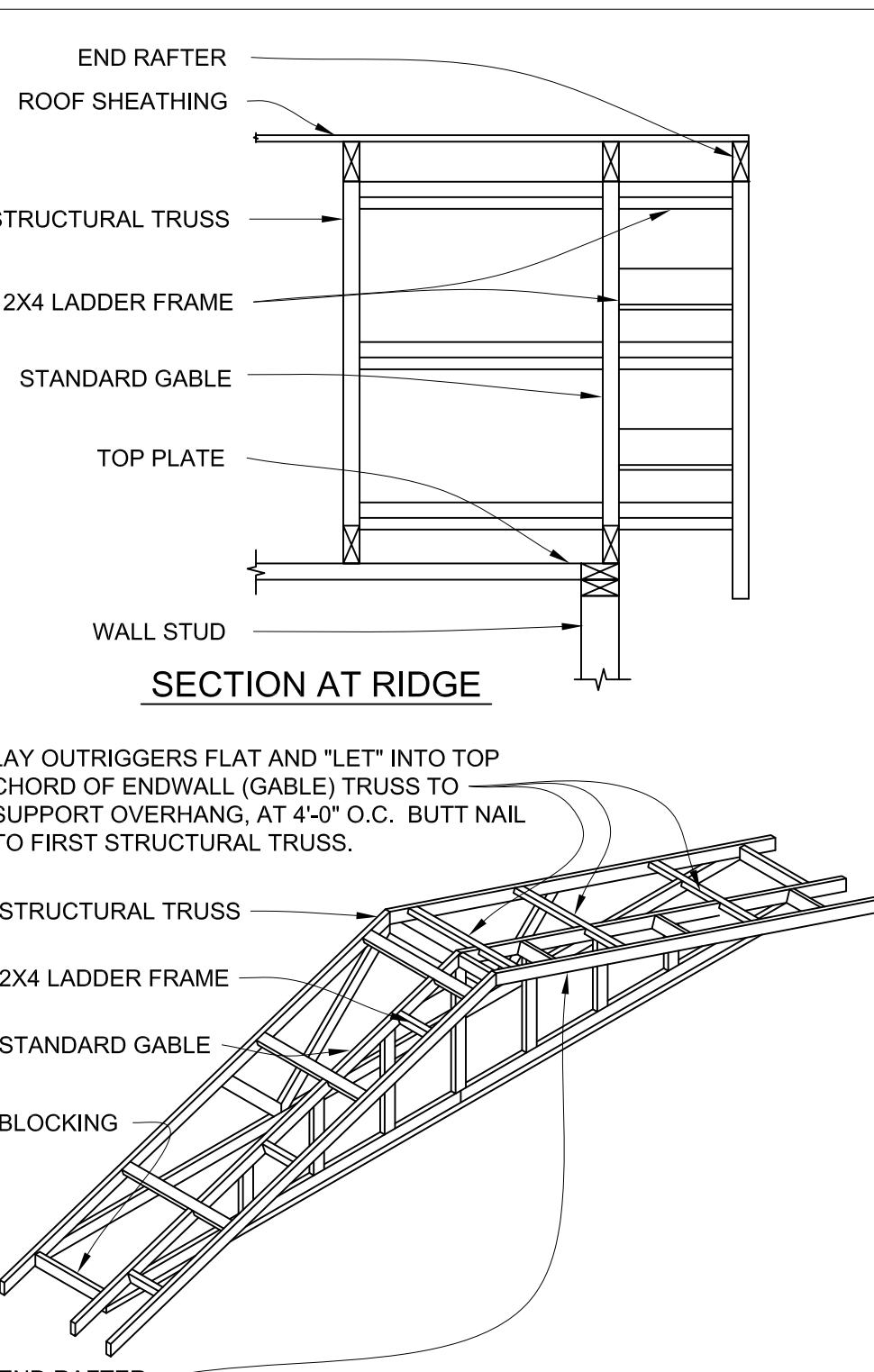
1 **SHEAR TRANSFER DETAIL**
 3/4\"/>



2 **BUILDING SECTION**
 3/8\"/>



3 **FOUNDATION DETAIL**
 3/4\"/>



4 **CANTILEVERED LADDER
 FRAME OVERHANG DETAIL**

Digitally signed by Patrick D. Quinney, P.E.
 DN: cn=Patrick D. Quinney, P.E., o=Quinney Associates, LLC, email=pquinney@live.com, c=US
 Date: 2024.01.24 07:56:55 -0700

STRUCTURAL DRAWINGS BY:
 TUFF SHED
 IN HOUSE DRAFTING
 DEPARTMENT
 1777 S. HARRISON STREET
 DENVER, COLORADO 80210
 (303) 753-TUFF

SO # : 2026659 EP # : 19103
 Customer: BOB TURGEON
 Description: ACCESSORY BUILDING
 24' X 30' = 720 SQ FT
 Site Address: 537 BLUE RIVER ROAD
 BRECKENRIDGE, CO 80424

THESE DRAWINGS AND THE DESIGN ARE THE PROPERTY OF TUFF SHED, INC. THESE DRAWINGS ARE FOR A BUILDING TO BE SUPPLIED AND BUILT BY TUFF SHED. ANY OTHER USE IS FORBIDDEN BY TUFF SHED, INC.

TUFF SHED
 Storage Buildings & Garages
 TUFF SHED, INC.
 4500 GRAVE STREET
 BRECKENRIDGE, CO 80424
 (303) 399-8833
 PROPRIETARY. ALL RIGHTS RESERVED.

Drawn By: TB
 Date: 1/2/24
 Checked By:
 Date:
 Revised:
 Revised:

SECTIONS
 DETAILS

Scale: NONE

Sheet:

S3

Sheet 3 of 3