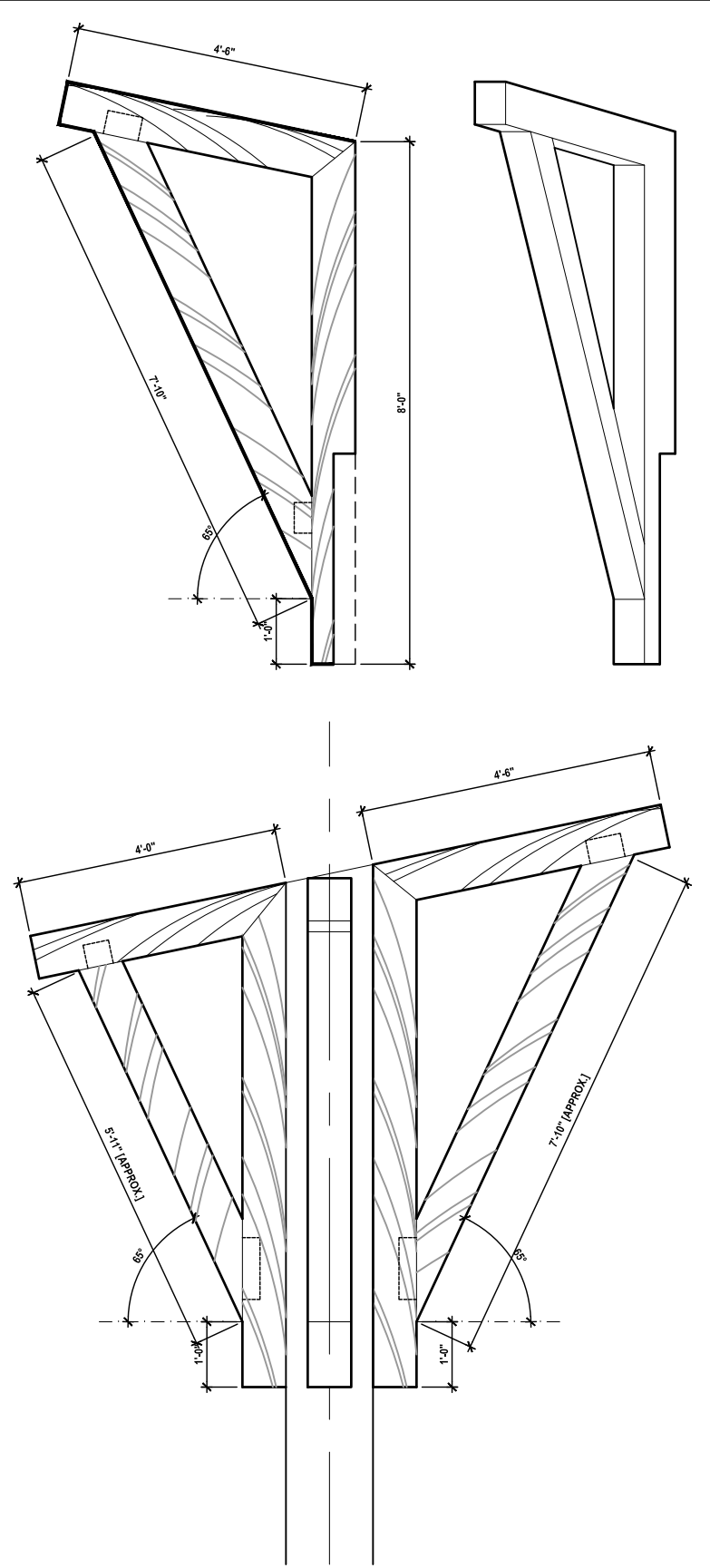
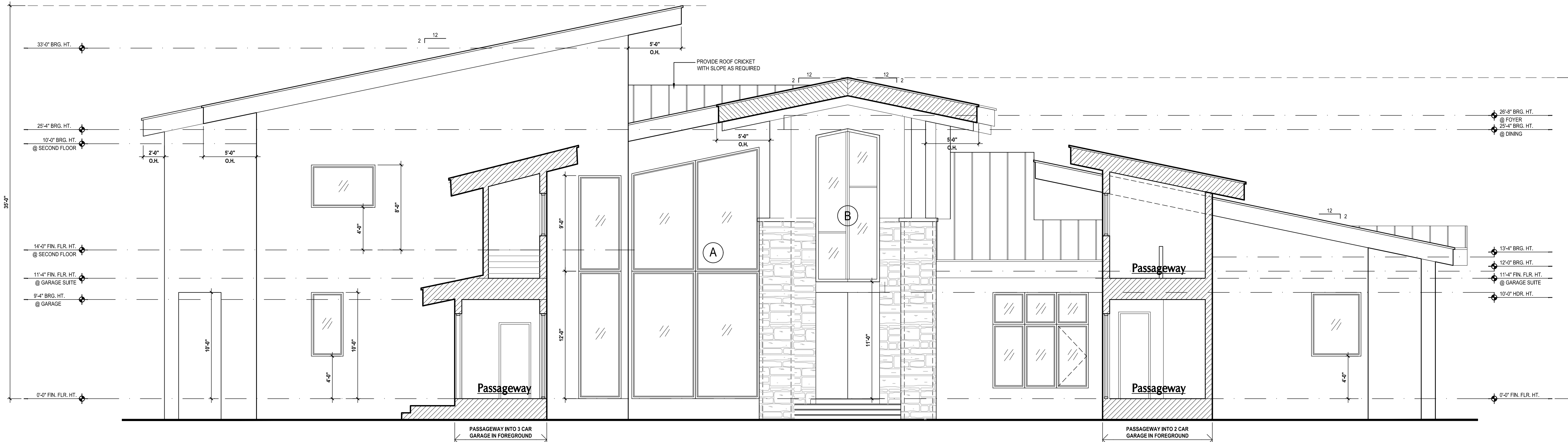
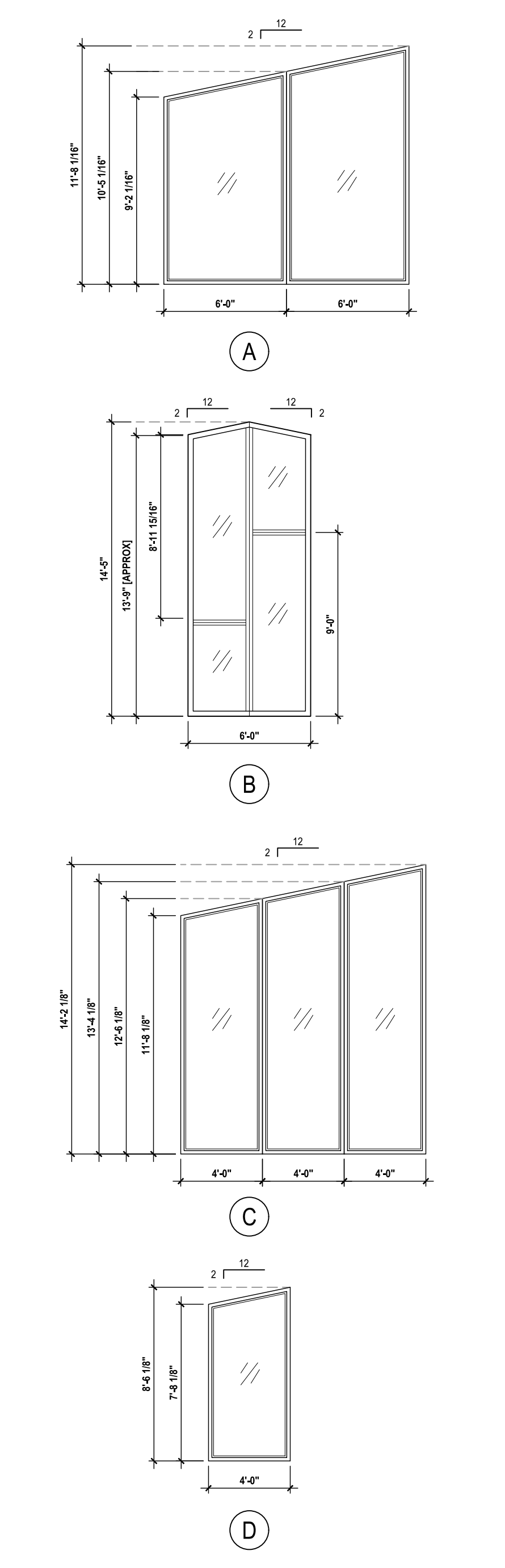


EL1 Front Elevation
SCALE: 3/16" = 1'-0"

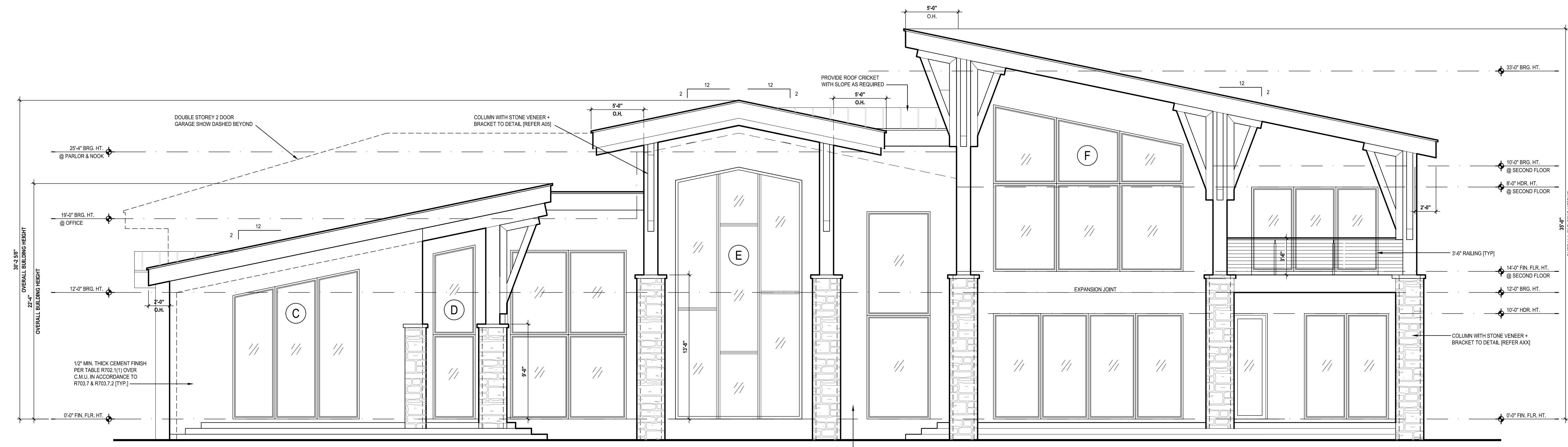


Bracket details
SCALE: 3/8" = 1'-0"

Trapezoid Window Details
SCALE: 3/16" = 1'-0"



EL2 Front Elevation/Section A
SCALE: 3/16" = 1'-0"



EL3 Rear Elevation
SCALE: 3/16" = 1'-0"

RKE ENTERPRISES, LLC
 Florida Reg. #47515
 4707 Wild Turkey Rd.
 Miami, FL 33254
RKE ENTERPRISES, LLC
 ARCHITECTS
 FL PE #47515 COC 1510470
 This firm has been electronically signed by Edward Strunk
 on 12/15/2023 at 11:00 AM EST. ALL RIGHTS RESERVED.
 Please note that this document is not a contract. It is a design and
 construction document only.

815 Orienta Ave., Suite #1040
 Altamonte Springs, FL 32701
 Ph: (407) 629-6711
 Fax: (407) 629-6776
 www.mjsdesignsgroup.com
MJS
 designers group
 residential-commercial-architecture

A I B D
 ARCHITECTS
 BRATTLE ORLANDO BUILDERS ASSOCIATION

GOBA
 GREATER ORLANDO BUILDERS ASSOCIATION

Meerbaum House
 1916 Hoffner Ave.
 Orlando, FL 32809

mjsdesignsgroup.com
 Custom Clients/Meerbaum House (1916 Hoffner Ave.)-1916 Est. Elevations.dwg
 ISSUE DATE: 12/15/2023
 REVISIONS
 PROJECT: 23-0124
 SCALE: AS NOTED
 DRAWN BY: THE MJS TEAM
 DESIGNED BY: MJS
 ELEVATIONS
A-05