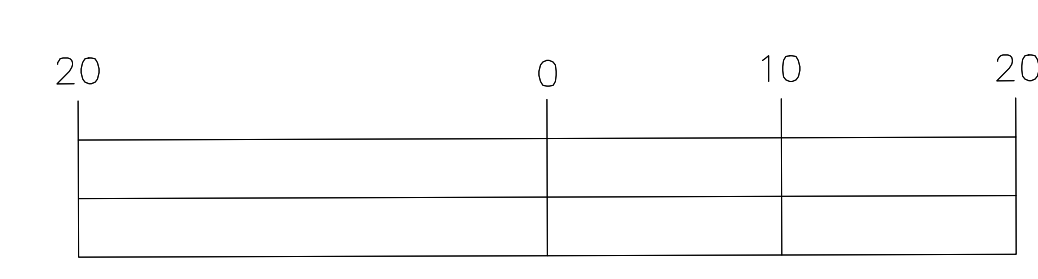
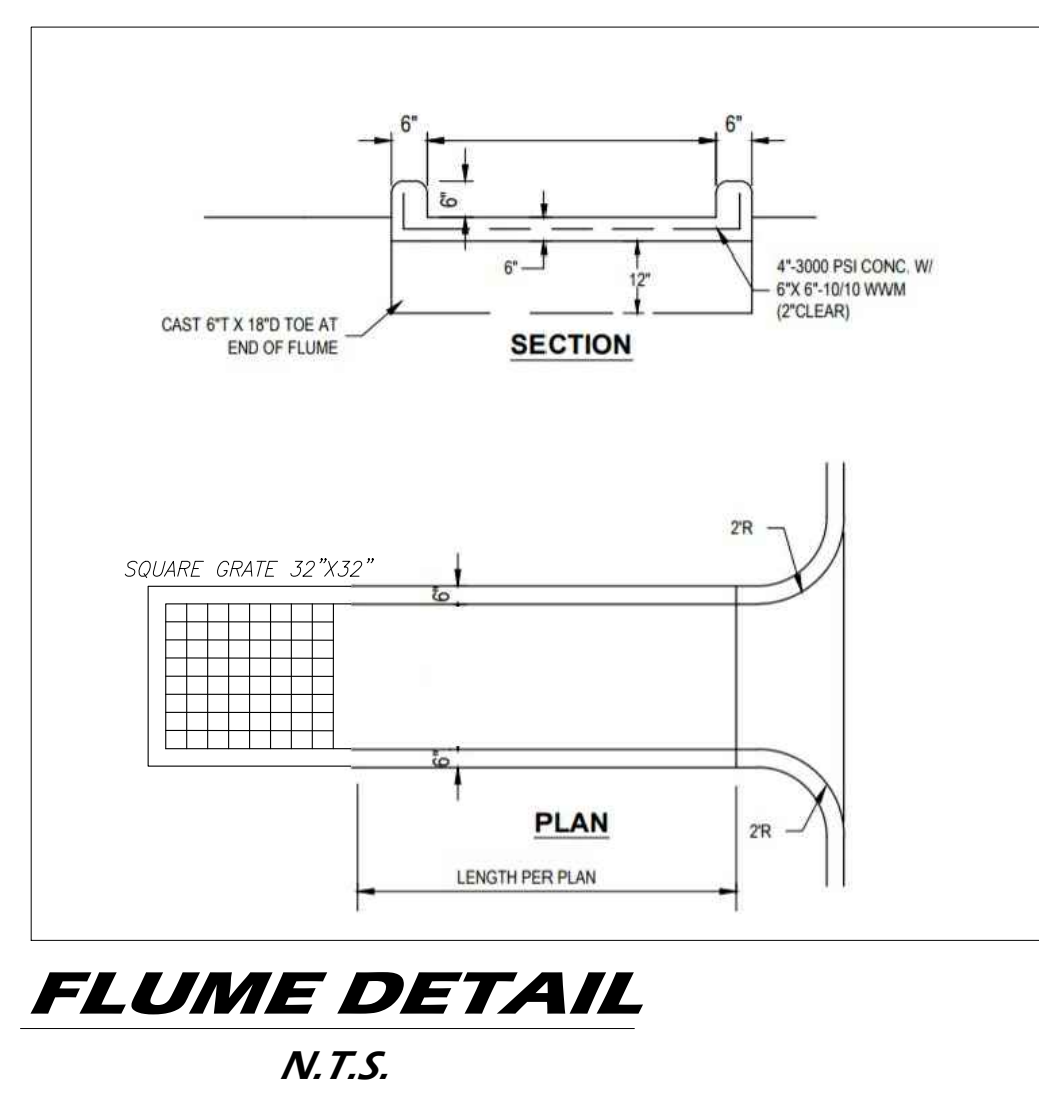
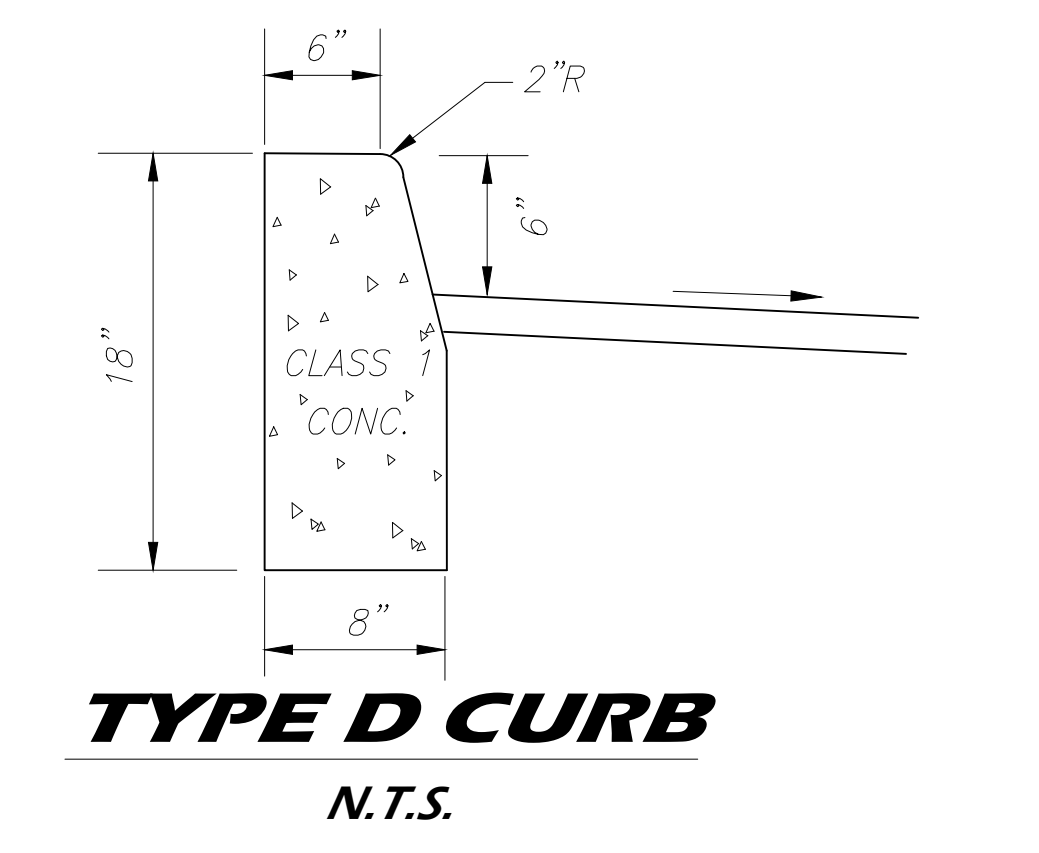


PROPOSED SITE PLAN
1/8" = 1'



| TREE AND SHRUB TABLE | |
|----------------------|---|
| | UNDER STORY TREE 1 1/2" CALIPER MIN. |
| | SHRUBS EVERGREEN H=2.5' |
| | CANOPY TREES H=10' |

| PERVIOUS / IMPERVIOUS | |
|------------------------------|--|
| PERVIOUS AREA = 3668 sqft | |
| IMPERVIOUS AREA = 14666 sqft | |



Accuracy Statement
 1. This drawing has been electronically signed and sealed by Val di Valentin using a digital signature.
 2. Printed copies of this document are not considered signed and sealed. The signature must be verified on any electronic copies.



HOSANNA BUILDING CONTRACTORS
 278 SEMORAN COMMERCE PLACE
 APOPKA 32703
 407.482.8332

Val diValentin, Architect.
 1844 Crestview Dr
 Mount Dora FL 32757
 AR 7114

5050 CONWAY ROAD,
 ORLANDO, FLORIDA
 32812

A- 02