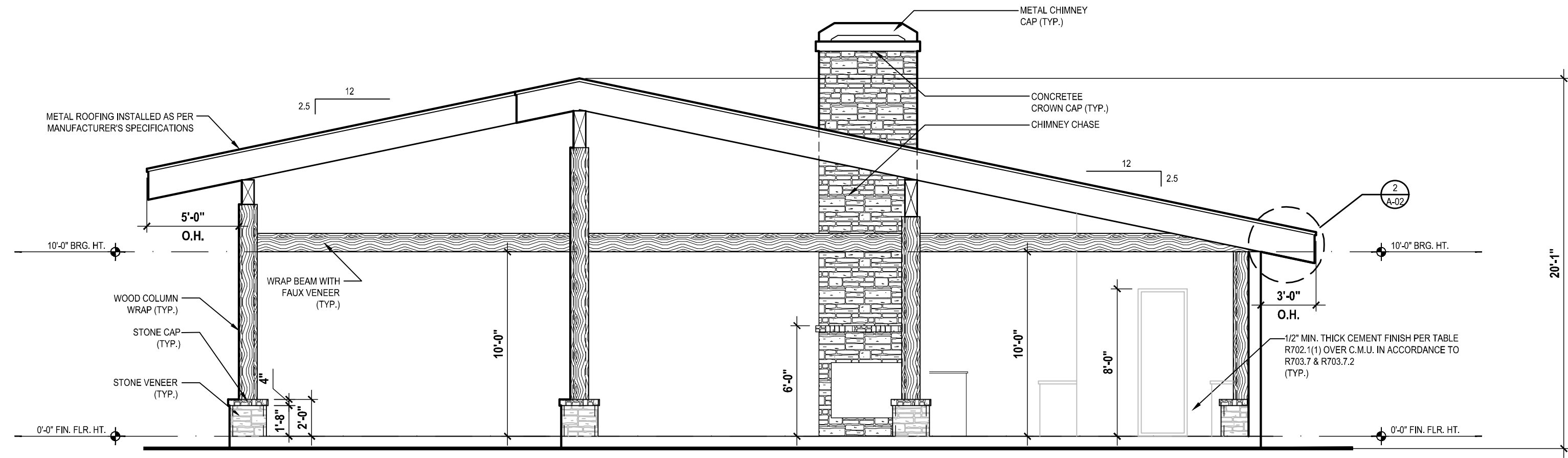
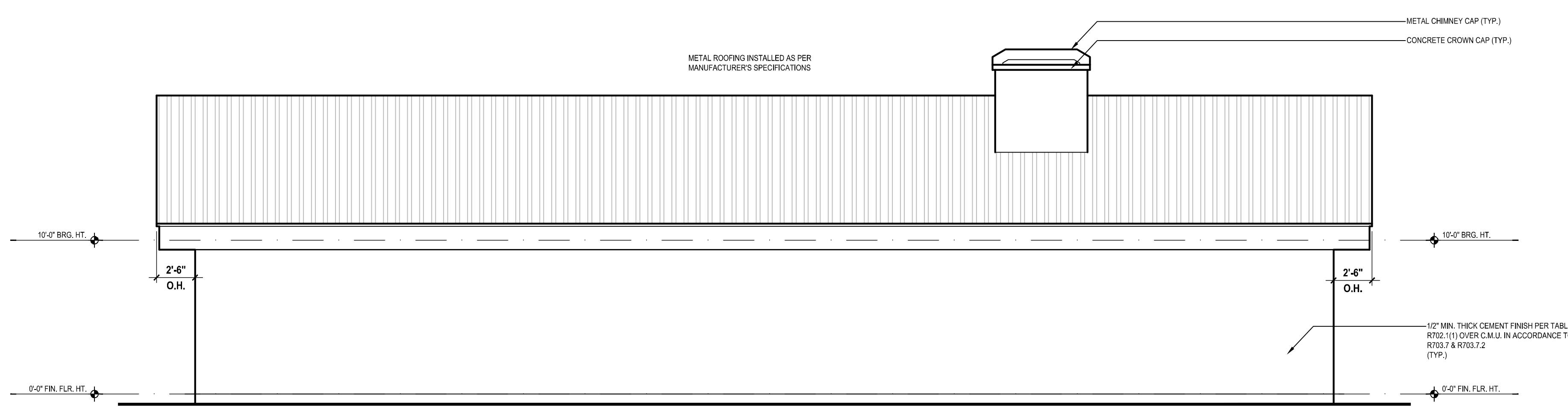


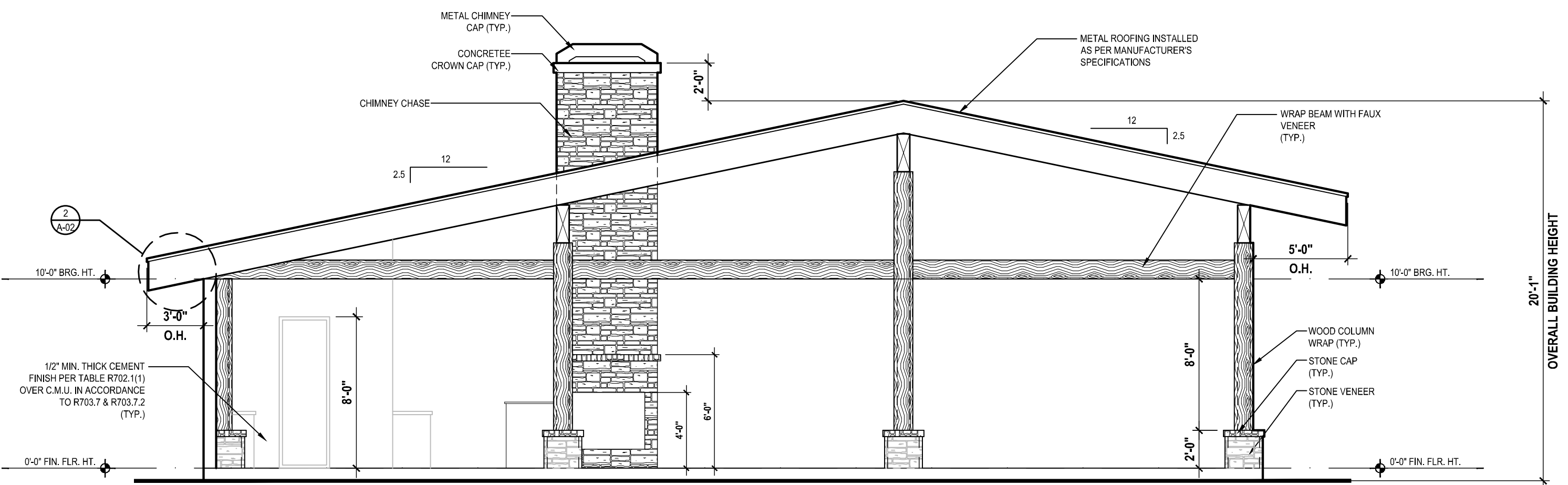
East Elevation
SCALE 3/16" = 1'-0"



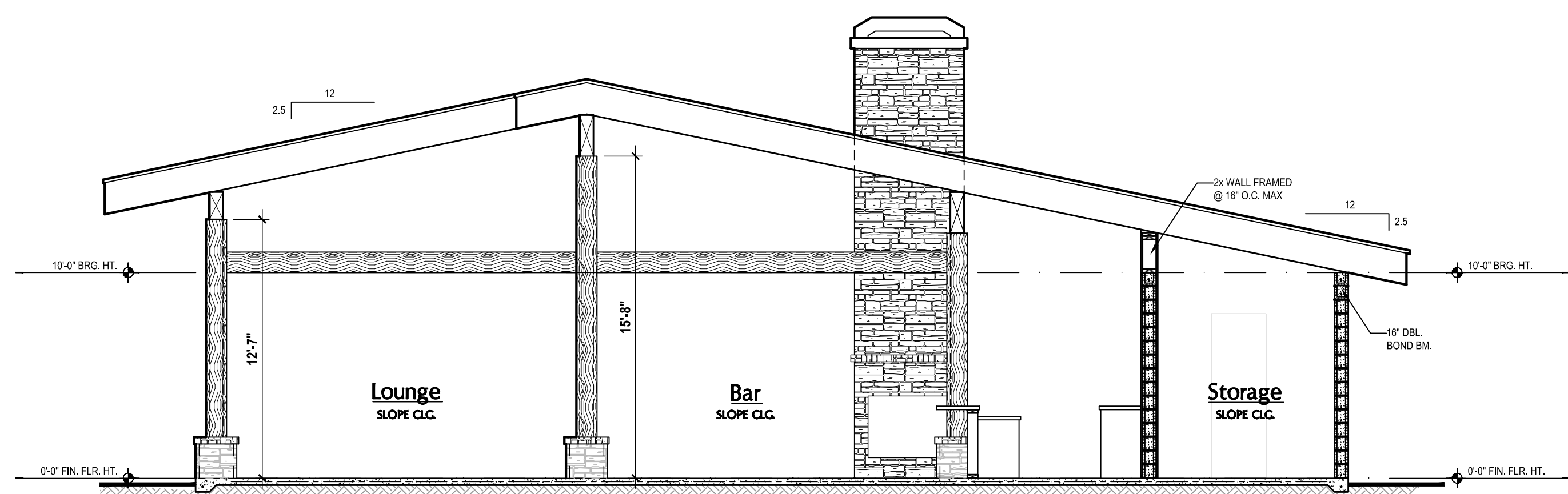
North Elevation
SCALE 3/16" = 1'-0"



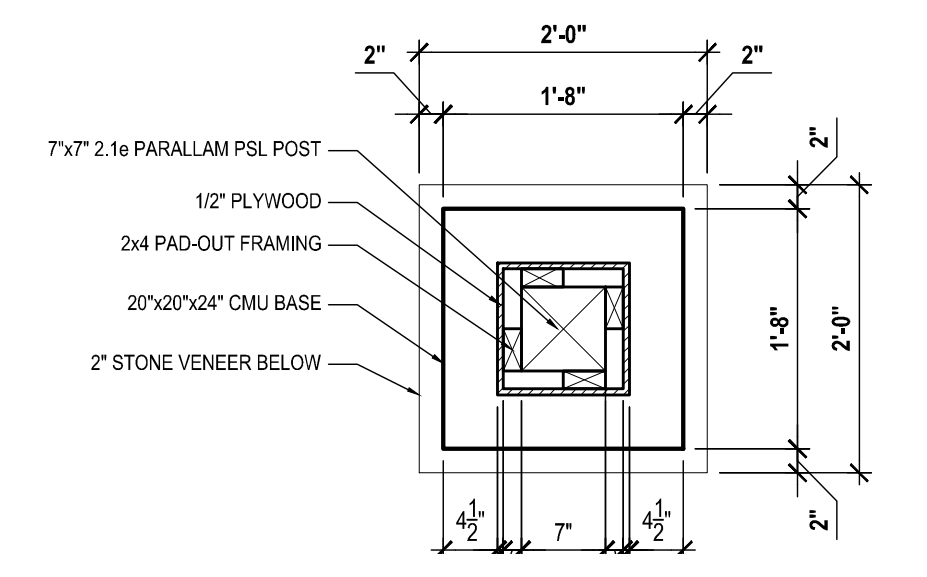
West Elevation
SCALE 3/16" = 1'-0"



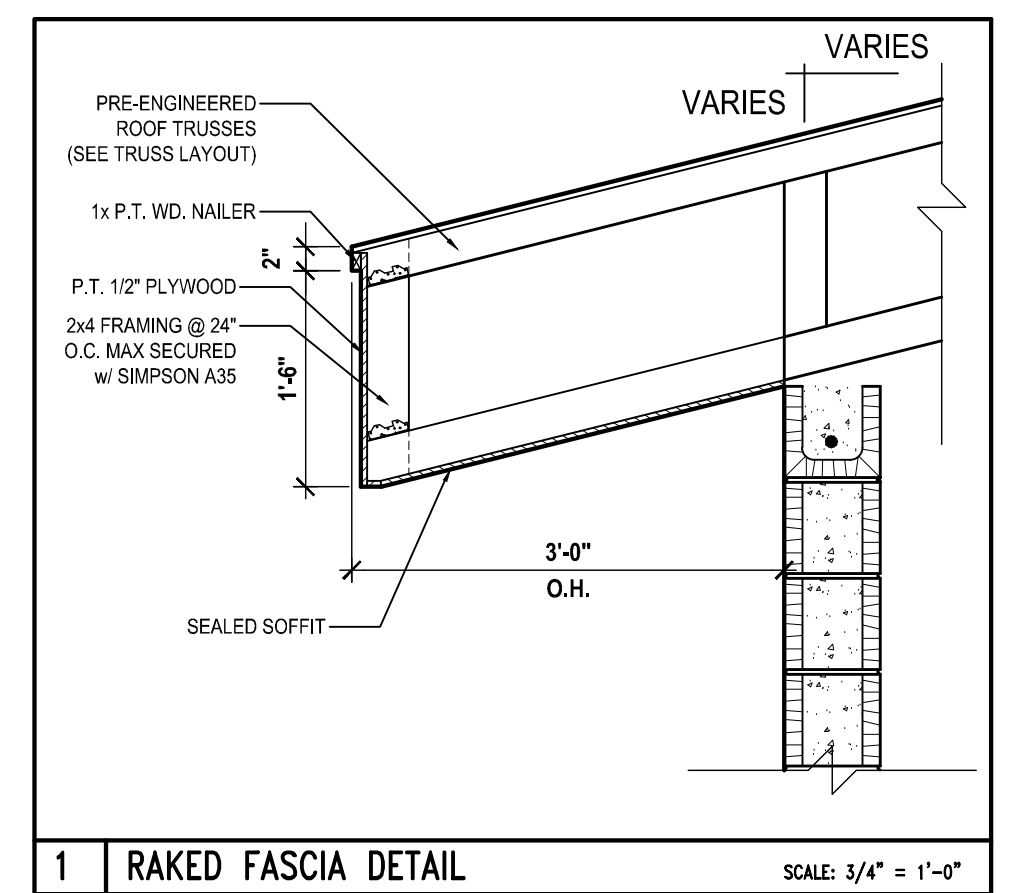
South Elevation
SCALE 3/16" = 1'-0"



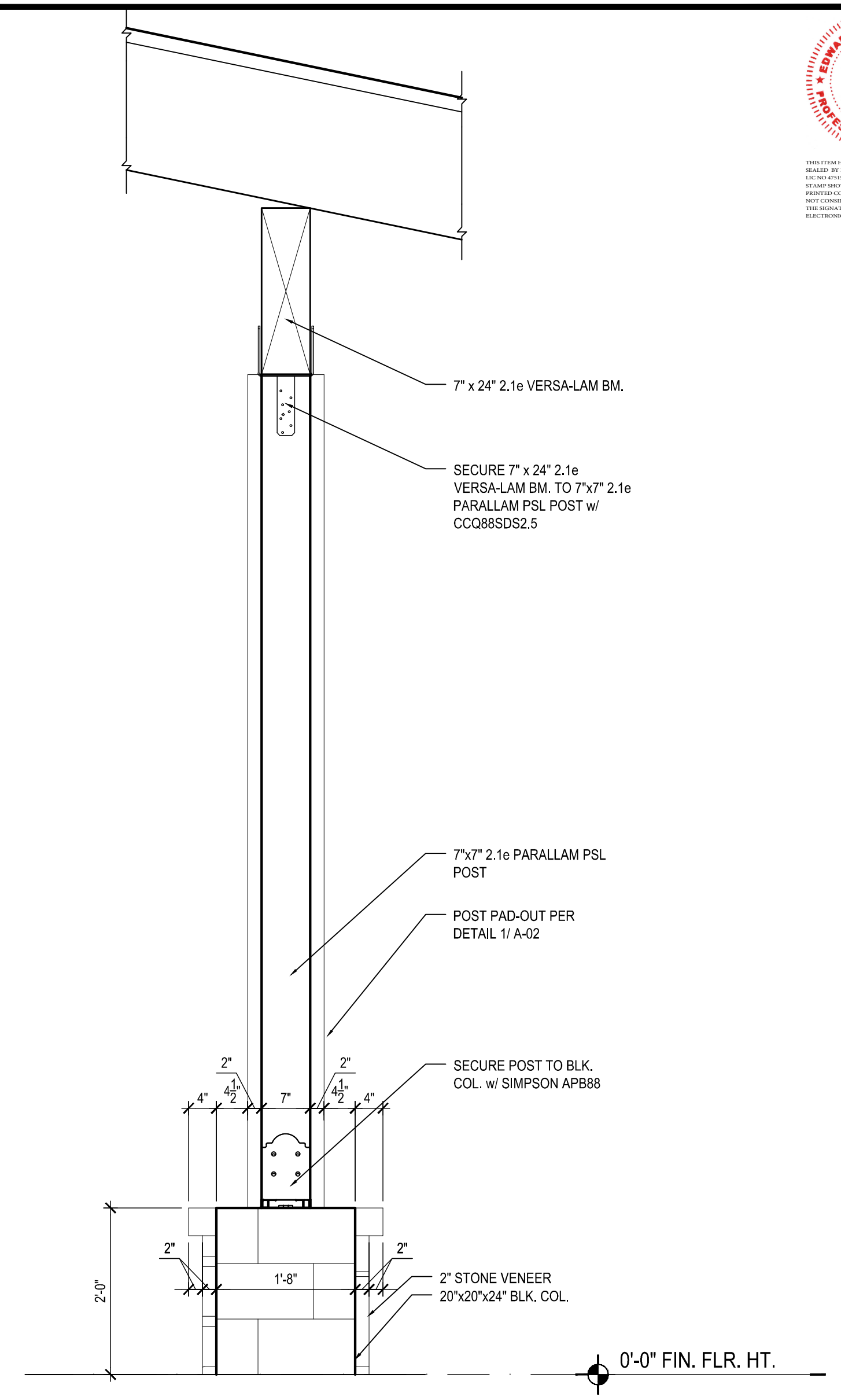
Building Section
SCALE 3/16" = 1'-0"



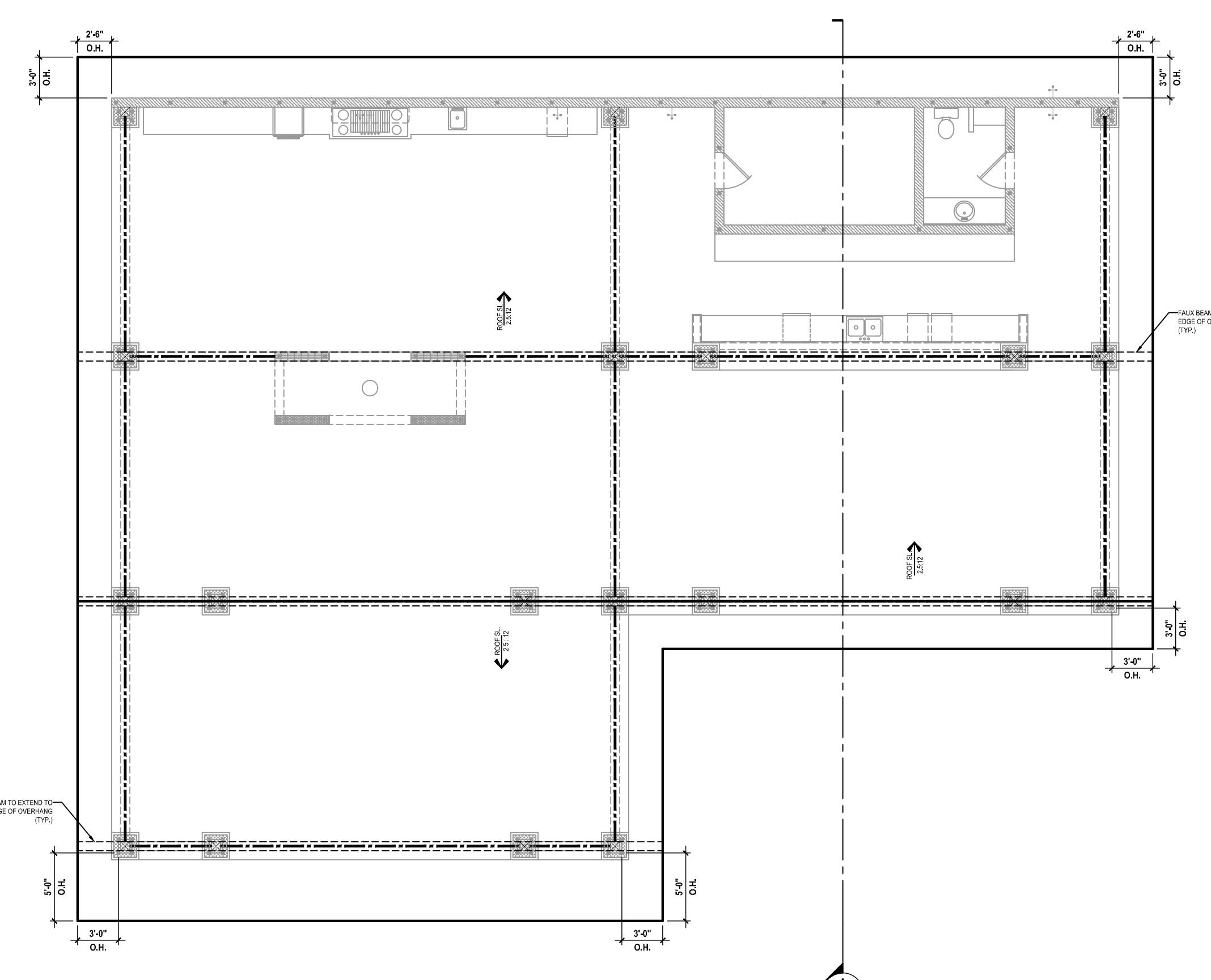
1 Column Detail
SCALE 3/4" = 1'-0"



2 Raked Fascia Detail
SCALE 3/4" = 1'-0"



3 Typ. Column Detail
SCALE 3/4" = 1'-0"



Roof Layout
SCALE 1/8" = 1'-0"

Digitally signed by Edward Shinskie Jr. Date: 2025.06.06 22:25:52 -04'00'

RKE ENTERPRISES LLC
Florida Reg. #47515
4707 Wild Turkey Rd.
Mims, FL 32754
FILE #2015-005-BS-000

MJS designers group
residential-commercial-architecture

AI BD

GOBA
GRATE ORLANDO BUILDERS ASSOCIATION

Meerbaum Pavilion
1910 Hoffer Ave.
Orlando, FL 32809

BARR CONSTRUCTION

ISSUE DATE: 06/06/2025
PROJECT: 25-0113
SCALE: AS NOTED
DESIGNED BY: MJS
F.P. BLOCKOUT BY: J.T.
ELEV. BLOCK-OUT BY: J.T.
CD'S BY: M.E.
TRUSS ENG. BY: C.C.
FINAL CD'S BY: C.C.

ELEVATIONS
A-02