

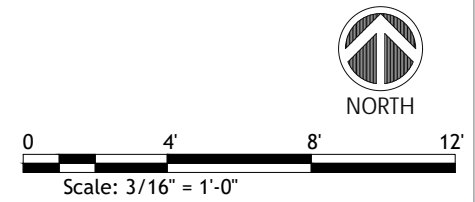
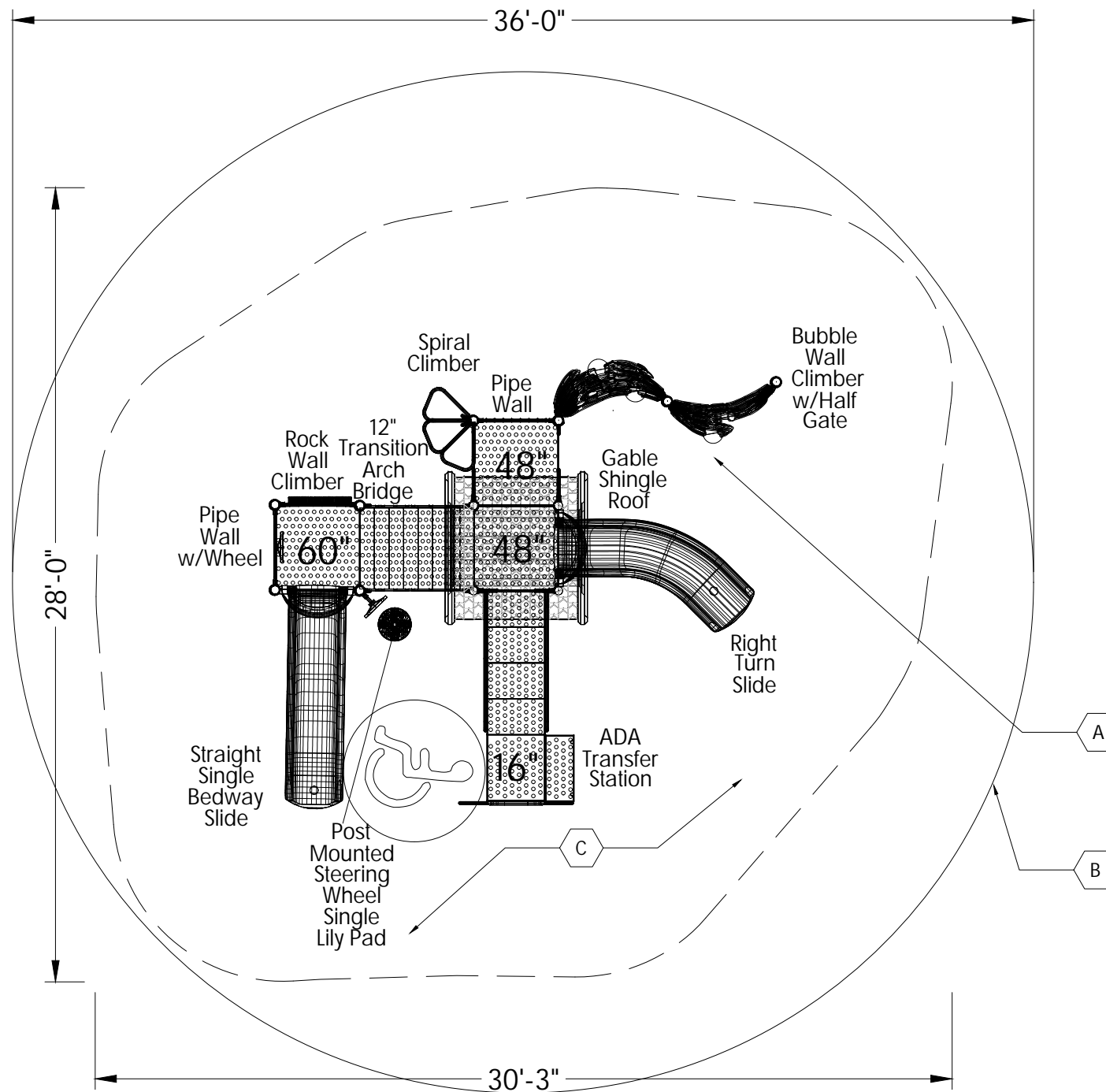


Rangel Park – PS3-31905 in Forest theme



Rangel Park – PS3-31905 in Forest theme

PLAYGROUND PLAN SCHEDULE		
QTY	DESCRIPTION	QTY
A	NAME: PS3-31905 TYPE: 3.5" STEEL CAPACITY: 24 FALL HEIGHT: 5' AGE RANGE: 2-12	1
B	Border TBD	1
C	Surfacing Area	1018 SF



PRELIMINARY DESIGN - NOT FOR CONSTRUCTION

Rangel Park
Beaumont, CA

Project 27426
Option 1

Sheet
K.2

Designer
HM

Date
04.07.2022

Drawing Name
KPS-27426

View
Playground Plan

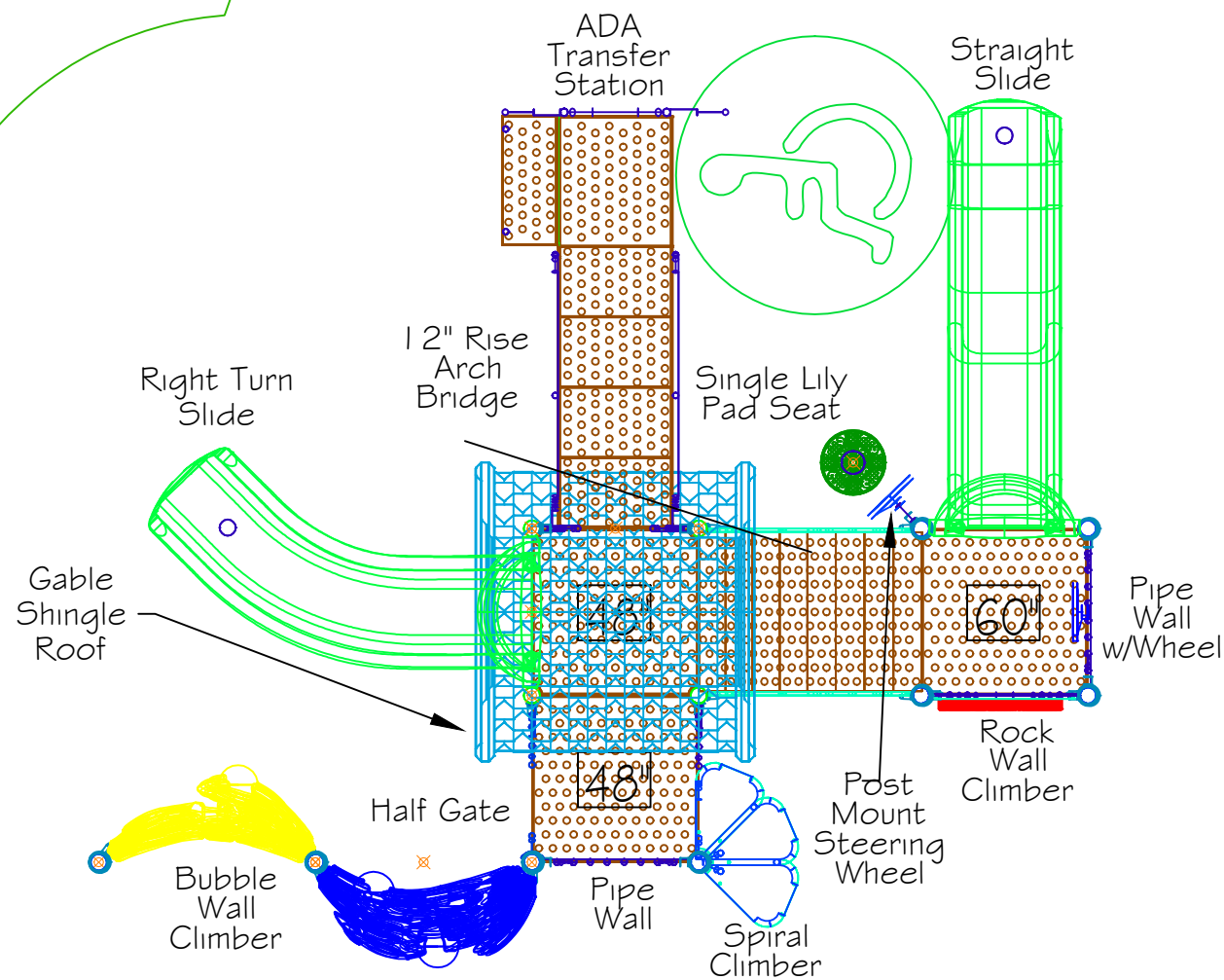
Sales Rep.
Tonia Bennett

IF THIS FILE HAS BEEN TRANSMITTED ELECTRONICALLY, THE ORIGINAL IS IN THE OFFICE OF KRAFTSMAN PLAYGROUND & WATER PARK EQUIPMENT. THE ELECTRONIC DOCUMENT WAS RELEASED BY KRAFTSMAN FOR A SPECIFIC USE. NO OTHER USE OR MODIFICATION MAY BE MADE WITHOUT THE WRITTEN CONSENT OF KRAFTSMAN PLAYGROUND & WATER PARK EQUIPMENT. ALL INSTRUMENTS OF SERVICE, INCLUDING ORIGINAL DRAWINGS AND SPECIFICATIONS PREPARED BY KRAFTSMAN PLAYGROUND & WATER PARK EQUIPMENT SHALL REMAIN THE PROPERTY OF KRAFTSMAN AND MAY NOT BE USED FOR ANY PURPOSES NOT SPECIFICALLY AGREED TO IN WRITING BY KRAFTSMAN. ALL REPRODUCTIONS OF THE INSTRUMENTS OF SERVICE SUPPLIED TO THE OWNER MAY BE USED BY THE OWNER FOR ANY PURPOSES RELATED TO THE SUBJECT PROPERTY. IN THE EVENT THAT ANY CHANGES ARE MADE IN THE PLANS AND/OR SPECIFICATIONS BY THE OWNER OR PERSONS OTHER THAN KRAFTSMAN, ANY AND ALL LIABILITY ARISING OUT OF SUCH CHANGES SHALL BE FULL RESPONSIBILITY OF THE OWNER UNLESS OWNER HAS RECEIVED KRAFTSMAN'S WRITTEN CONSENT FOR SUCH CHANGES.



30'-0"
[9.1 M]

29'-6"
[9.0 M]



Playgrounds

BY SUPERIOR RECREATIONAL PRODUCTS

REFERENCE NUMBER
PS3-31905

3.5" STEEL STRUCTURE DESIGN

EQUIPMENT SIZE 18' X 18'	USE ZONE 30' X 30'
AGE GROUP 2-12	SURFACE AREA 675 SQ. FT.

USER CAPACITY 24	4' TIMBER COUNT 25
---------------------	-----------------------

FALL HEIGHT
5'

ADA ACCESSIBILITY

ELEVATED
PLAY ACTIVITIES
5

	GROUND LEVEL ACCESSIBLE PLAY ACTIVITIES	GROUND LEVEL ACCESSIBLE ACTIVITY TYPES
REQUIRED	2	2
PROVIDED	2	2

THIS STRUCTURE MEETS OR EXCEEDS CPSC #325 AND ASTM F1487-11 UNLESS OTHERWISE NOTED.

DATE 12/13/2019	DRAWN/SAVED BY AW / ANDREW.WILSON
SCALE NTS	SHEET 1 OF 2

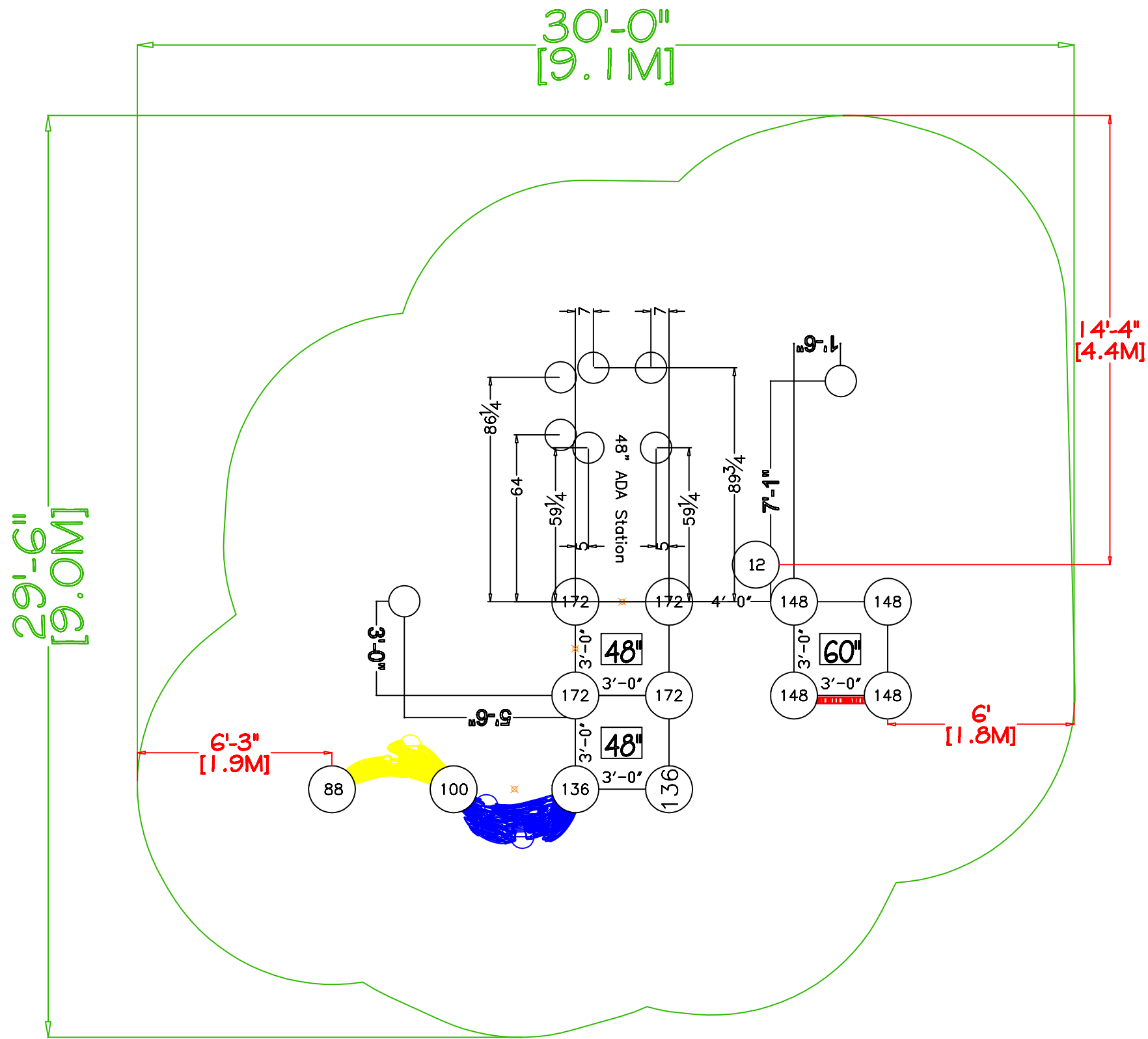
PAGE
PLAN_VIEW

WE RECOMMEND THIS PLAN BE PRINTED ON 11" x 17" PAPER

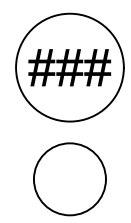
PLAYGROUND SUPERVISION IS REQUIRED.

THIS DESIGN IS THE PROPERTY OF SUPERIOR RECREATIONAL PRODUCTS AND MAY NOT BE REPRODUCED OR USED IN ANY MANNER WITHOUT THE EXPRESSED WRITTEN CONSENT OF SUPERIOR RECREATIONAL PRODUCTS.





FOOTING
SCALE-
1/4" = 1'
(WHEN
PRINTED
ON
11X17
PAPER)



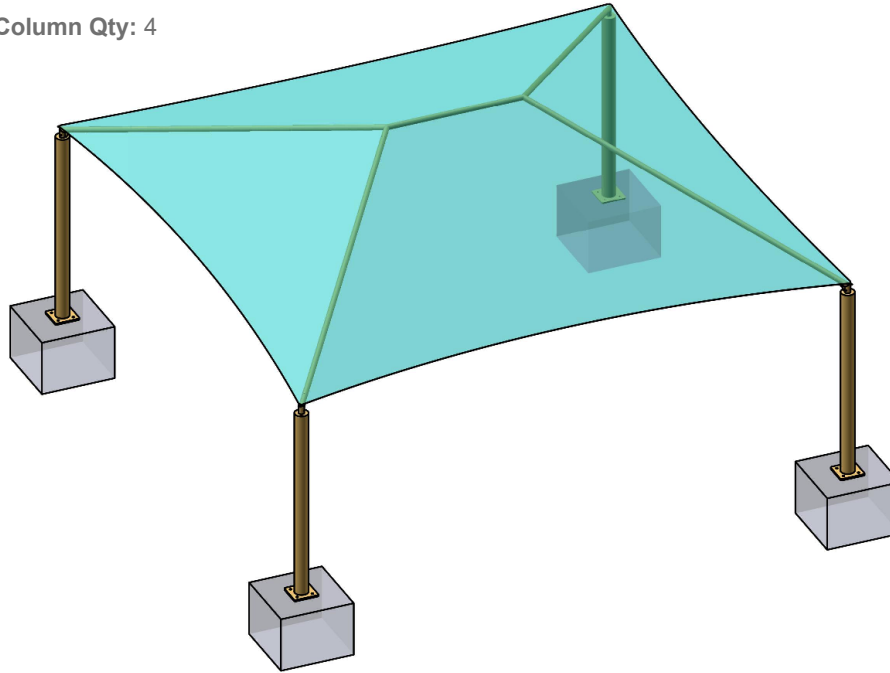
Playgrounds
BY SUPERIOR RECREATIONAL PRODUCTS

PLAYGROUND SUPERVISION IS REQUIRED.
THIS DESIGN IS THE PROPERTY OF
SUPERIOR RECREATIONAL PRODUCTS AND MAY NOT BE
REPRODUCED OR USED IN ANY MANNER WITHOUT
THE EXPRESSED WRITTEN CONSENT OF
SUPERIOR RECREATIONAL PRODUCTS.

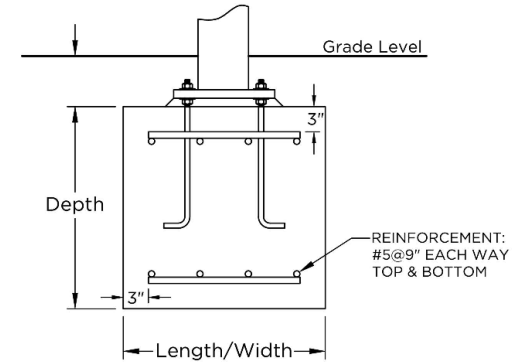
Hip Shade

Length	12	Width	12	Entry Height	10.5
Peak Height	12.72	Elbow	Glide	Column Mount	Base Plate
Column Size	3.511	Rafter Size	2.5011	Ridge Size	2.5011
Column Length	11	Rafter Length	7.82211685	Ridge Length	3

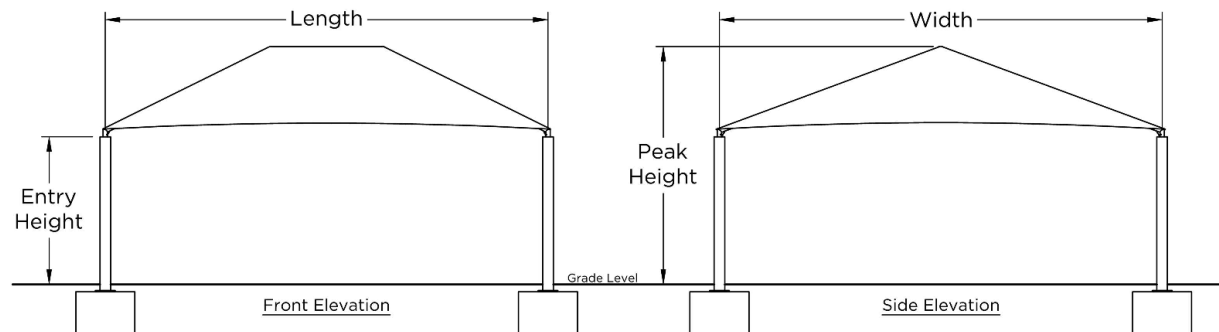
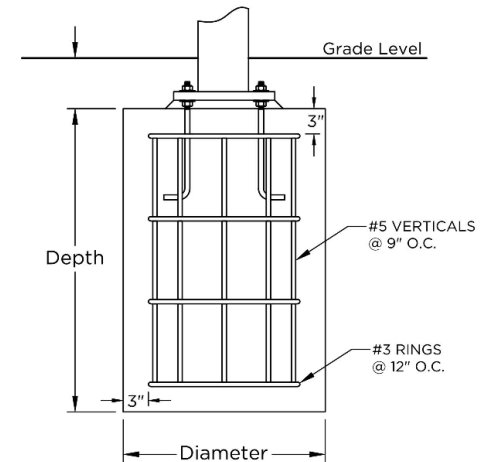
Dome Qty: 1 Column Qty: 4



Square Footing		
Column	Length & Width	Depth
Single Cap	1.52	3
Double Cap	N/A	3



Auger Footing		
Diameter	Single Cap Depth	Double Cap Depth
1'-6"		
2'-0"	Out of range	N/A
2'-6"	Out of range	N/A
3'-0"	Out of range	N/A



SHADE
BY SUPERIOR RECREATIONAL PRODUCTS

QUOTE

SHADE SIZE
12 X 12

SHADE STYLE
Hip Shade

These drawings are for reference only and should not be used as construction details. They show the general character and rough dimensions of the structural features. Exact spans, fasteners, materials, and foundations can be determined by a licensed professional engineer upon request. Estimated footing size above is based on 1,500 PSF soil bearing pressure.

