

114 MAIN FACADE REPAIRS
114 MAIN STREET
BAY ST LOUIS, MS 39520

UA PROJECT NO. | 24.109.01

PROJECT ISSUE DATE | 24 MAY 2024



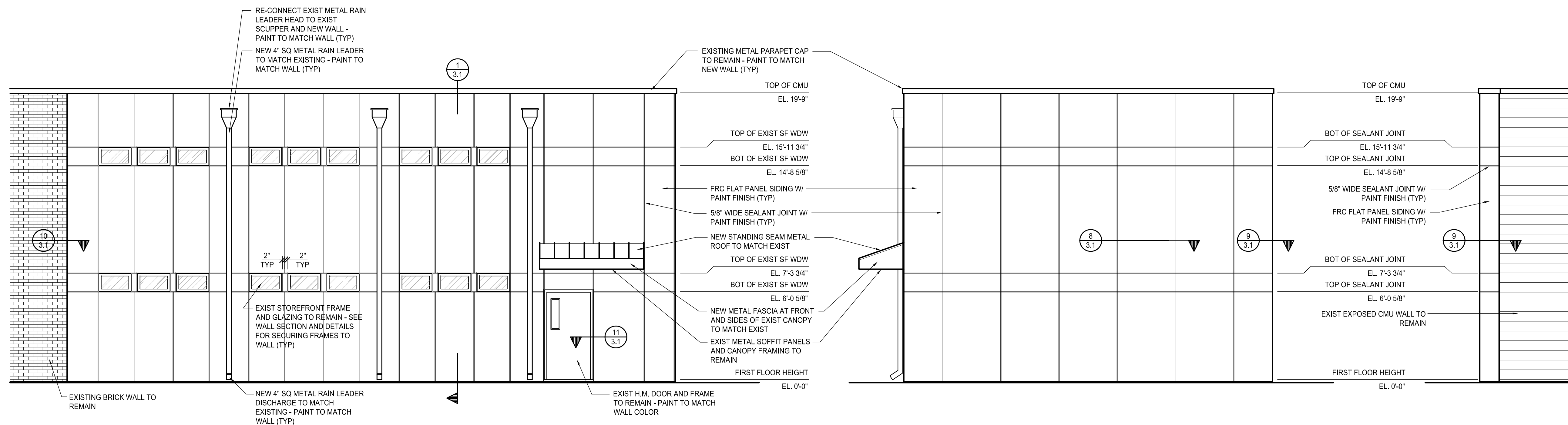
© unabridged Architecture 2024
A Professional Limited Liability Company

The intent of the Contract Documents is to include all items necessary for proper execution and completion of the work by Contractor. The Contract Documents are complementary, and what is required by one shall be as binding as if required by all; performance by the Contractor shall be required only to the extent consistent with the Contract Documents and reasonably inferable from them as being necessary to produce the indicated results.

REVISIONS

NO.	DATE	DESCRIPTION

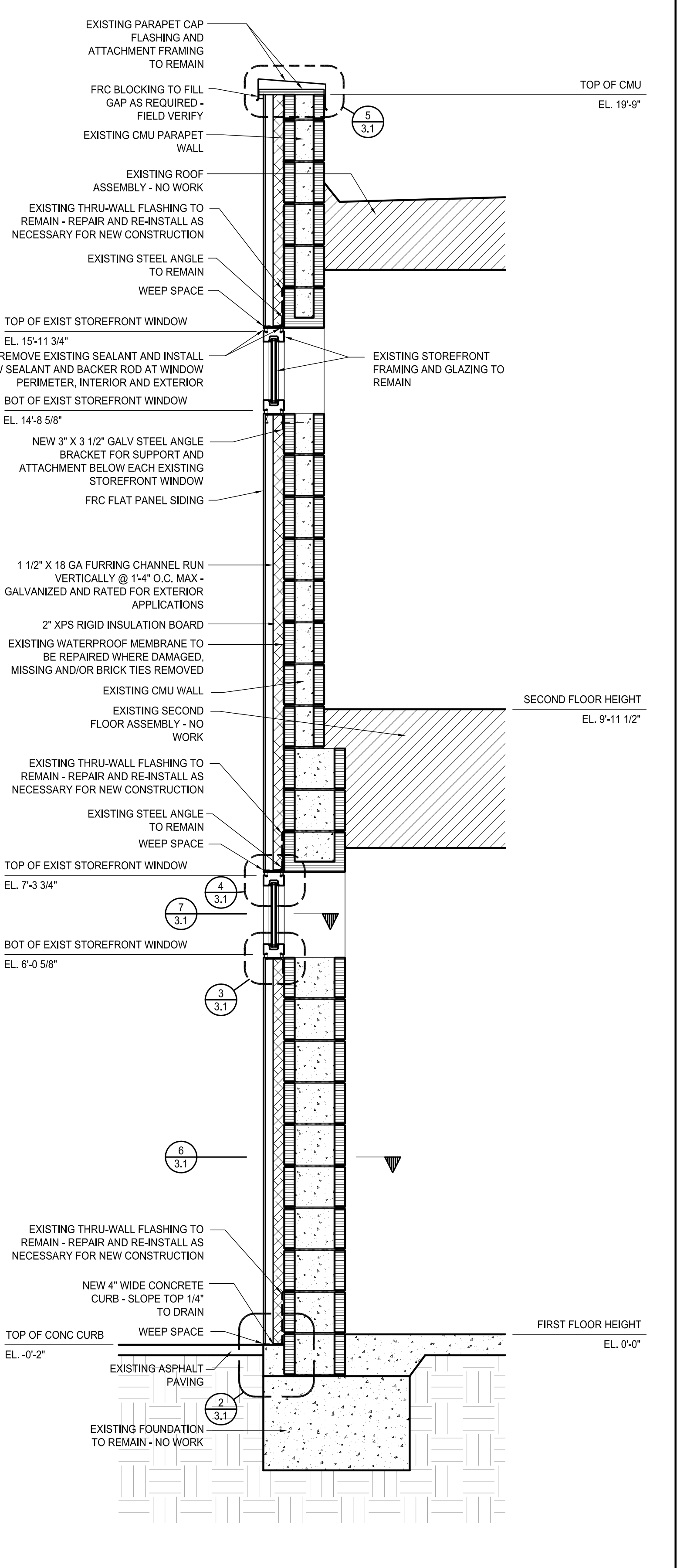
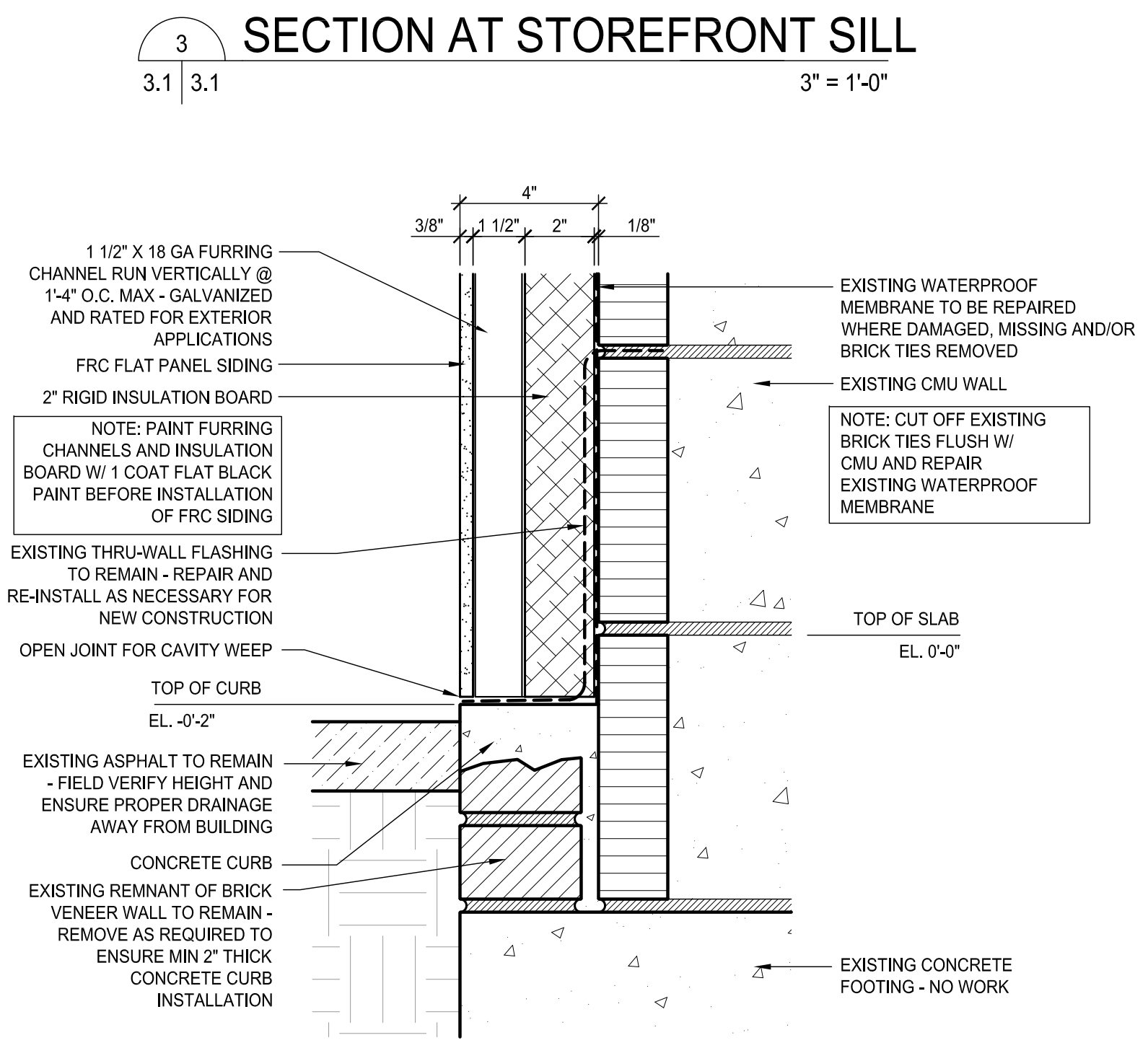
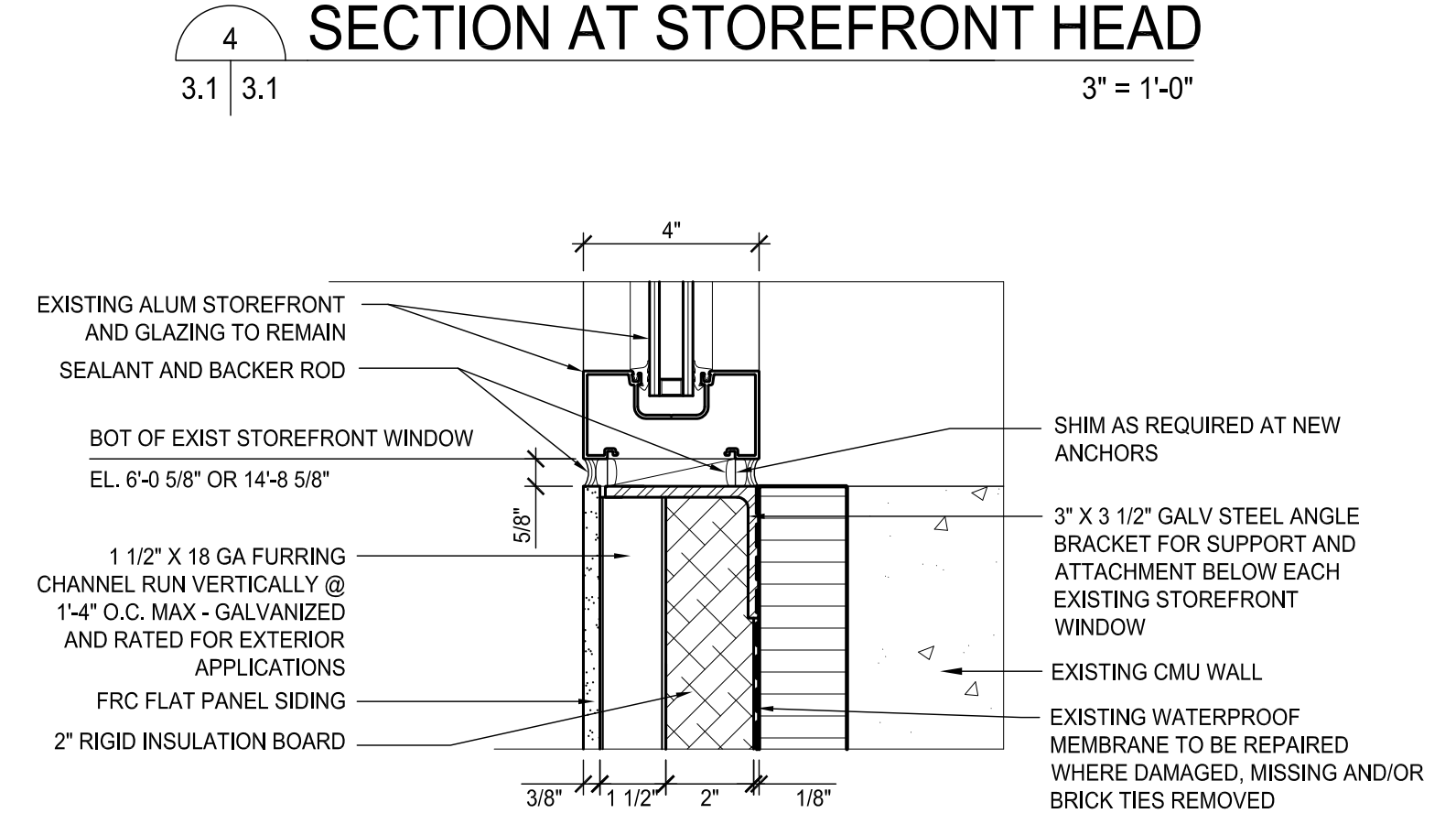
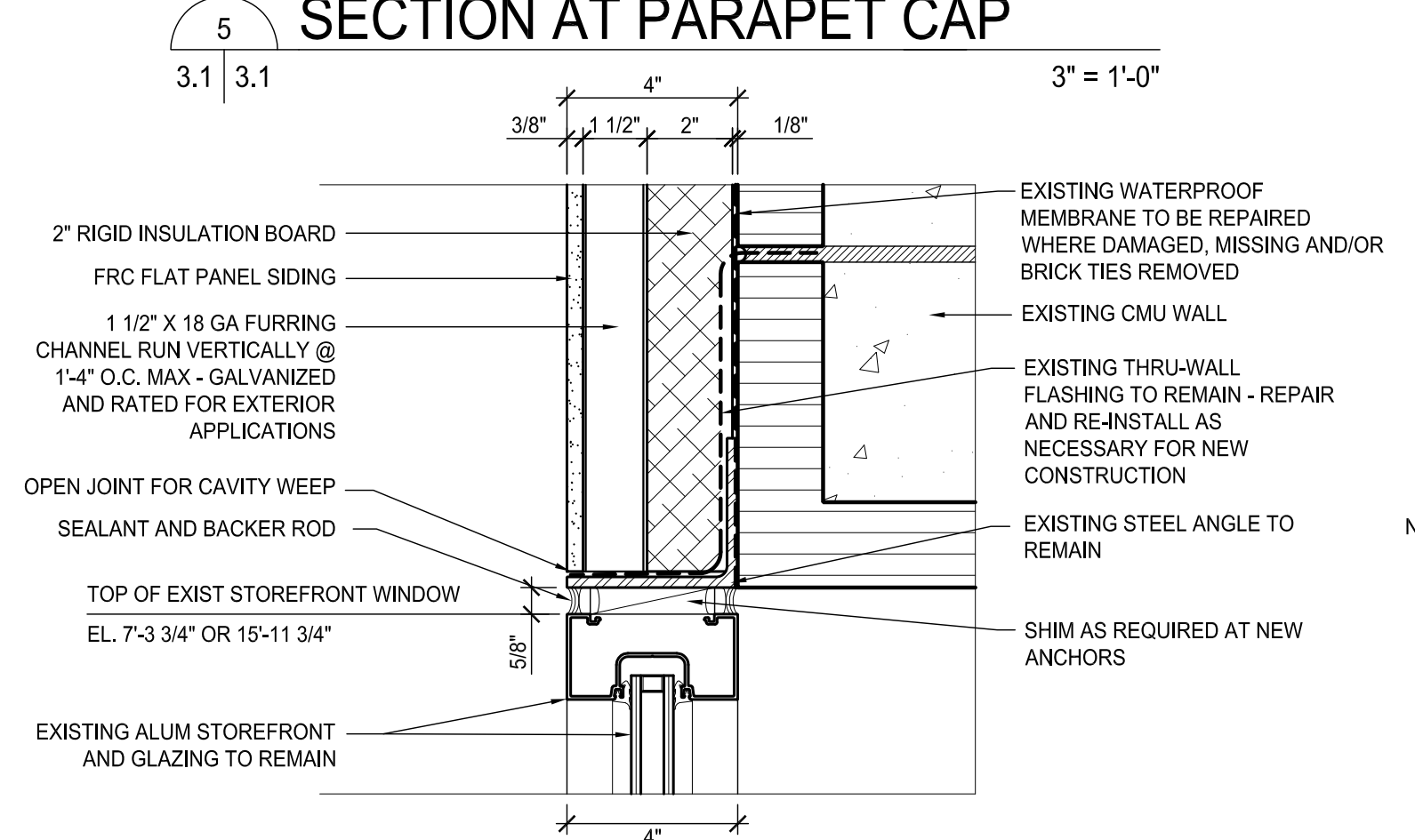
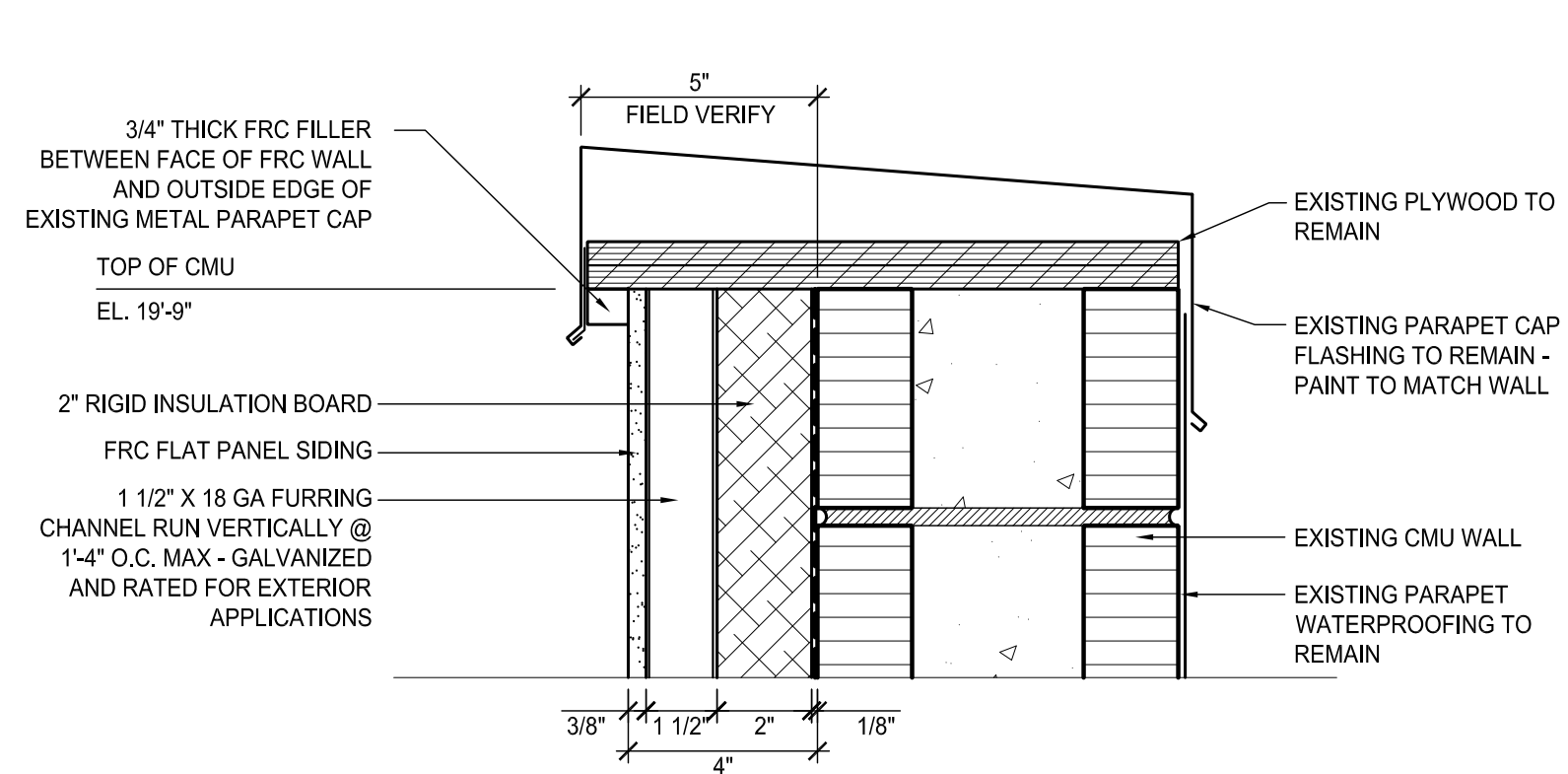
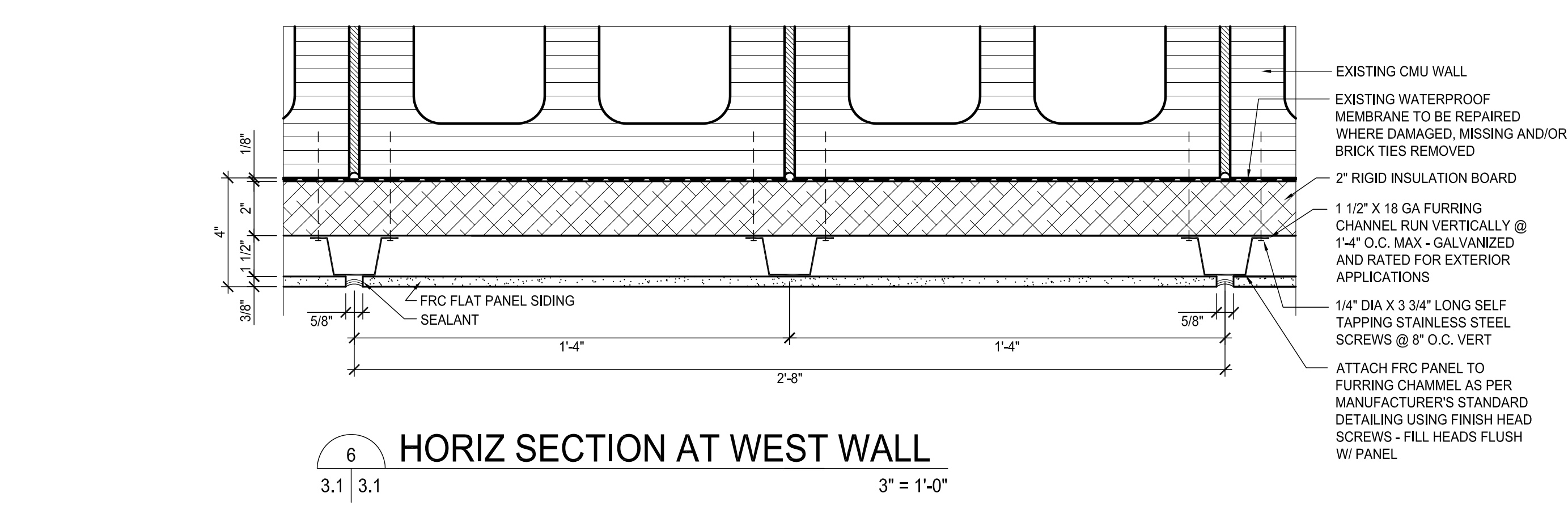
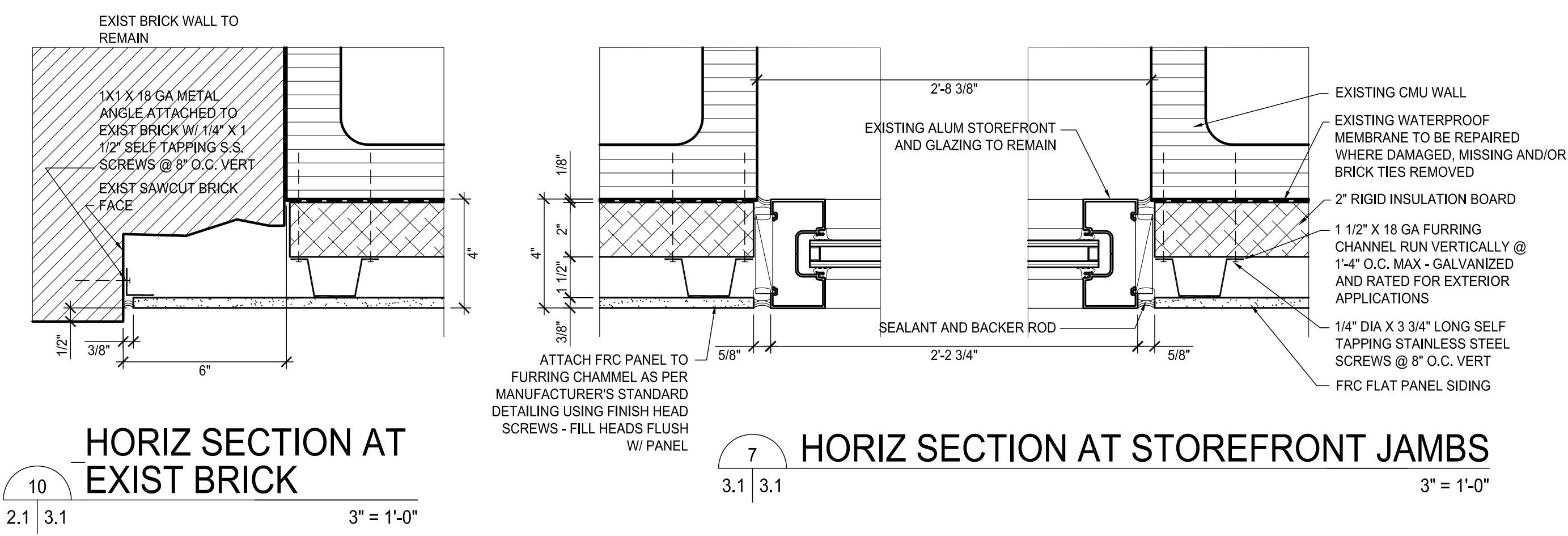
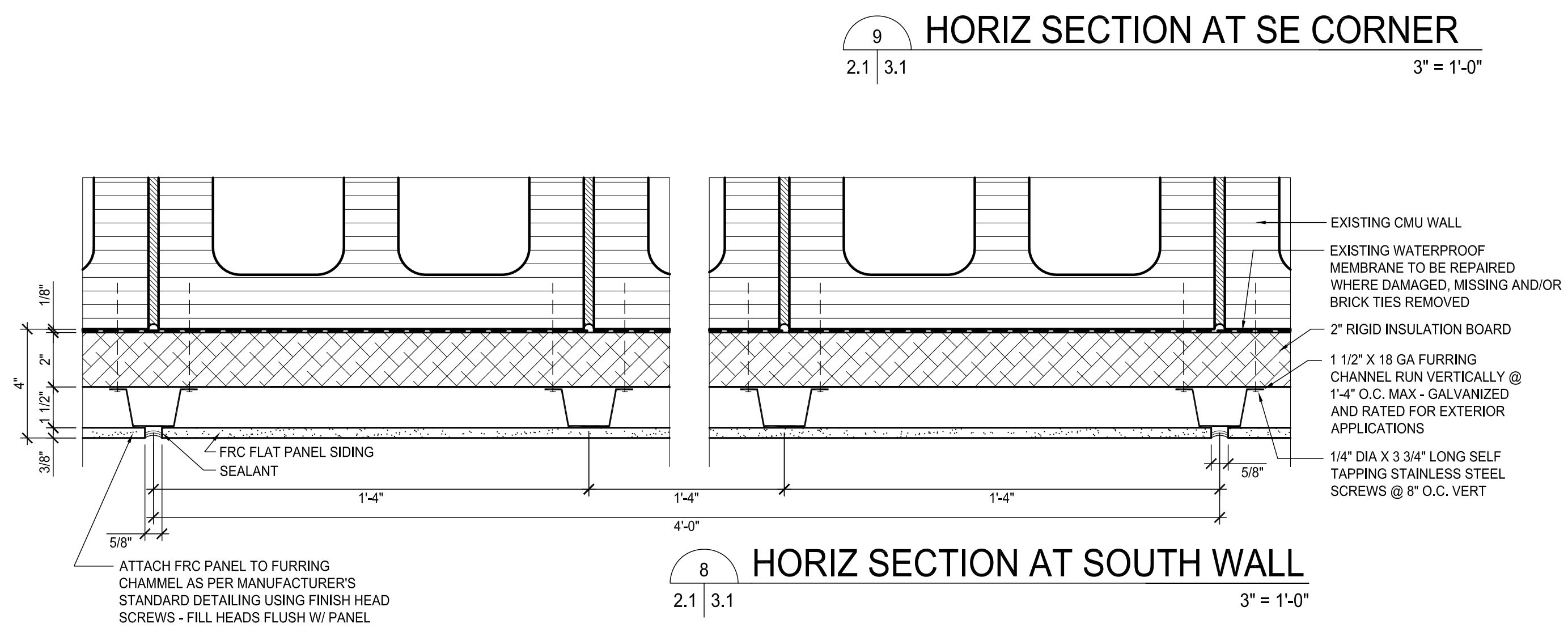
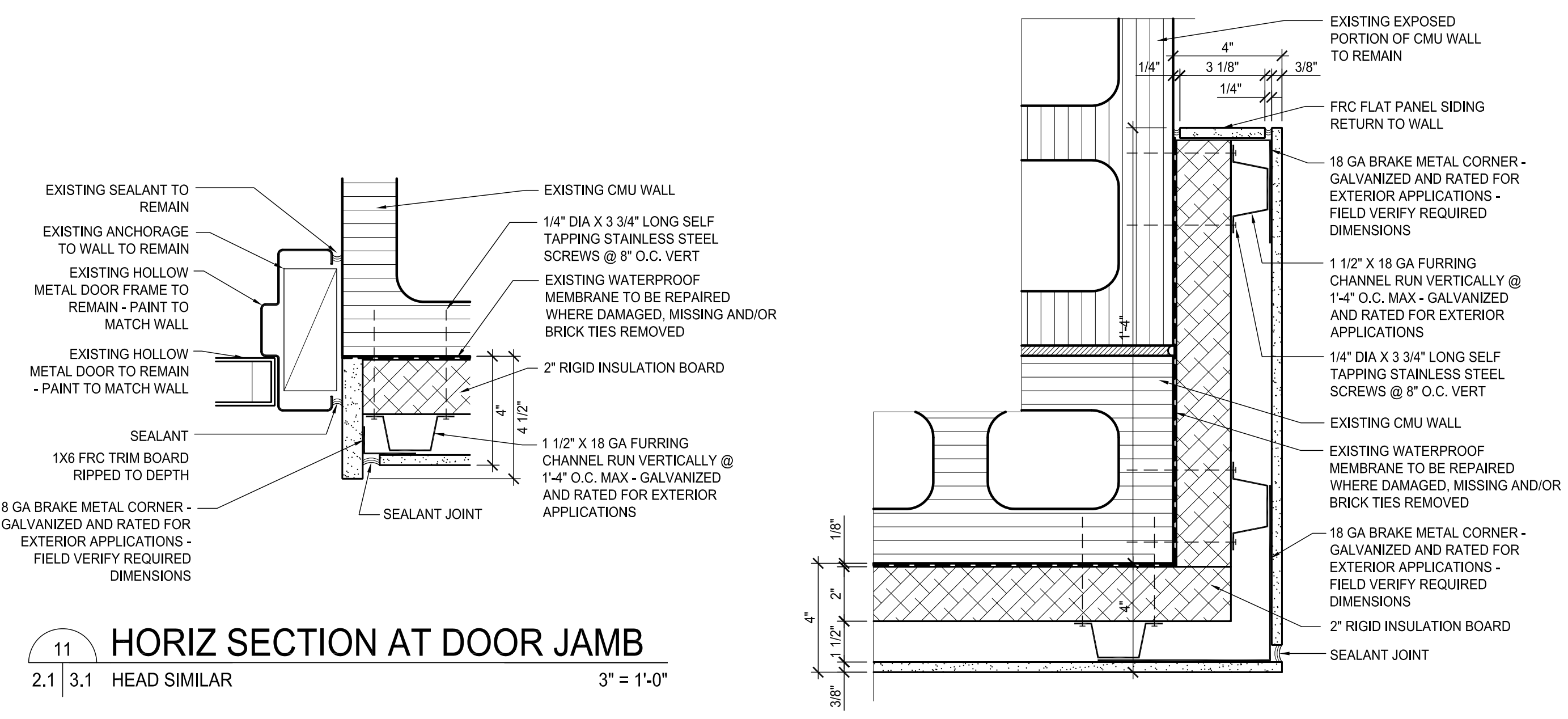
EXTERIOR ELEVATIONS



3 PART. WEST ELEVATION
1.1 | 2.1 1/4" = 1'-0"

2 SOUTH ELEVATION
1.1 | 2.1 1/4" = 1'-0"

1 PARTIAL EAST ELEVATION
1.1 | 2.1 1/4" = 1'-0"



The intent of the Contract Documents is to include all items necessary for proper execution and completion of the work by Contractor. The Contract Documents are complementary, and what is required by one shall be as binding as if required by all; performance by the Contractor shall be required only to the extent consistent with the Contract Documents and reasonably inferable from them as being necessary to produce the indicated results.

REVISIONS

NO.	DATE	DESCRIPTION