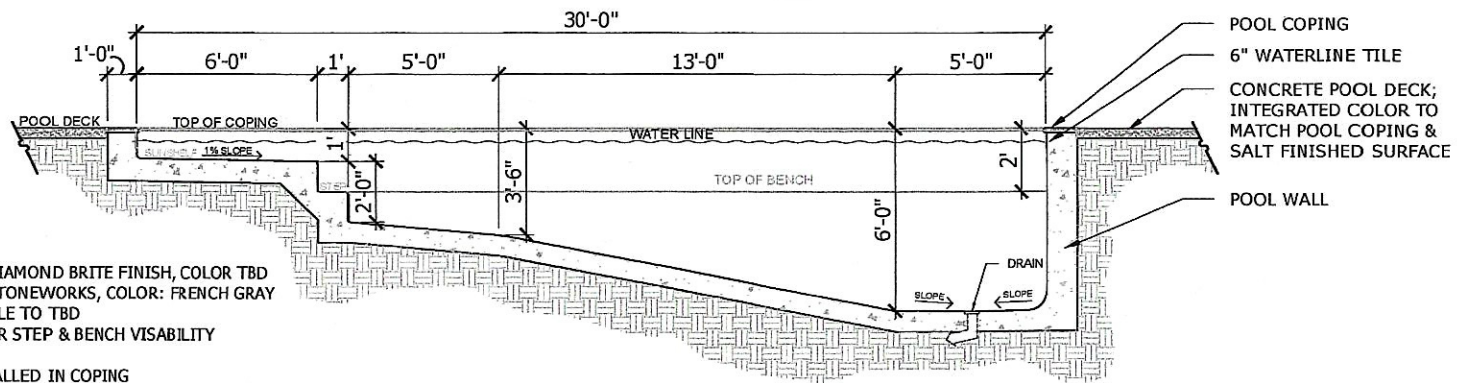


1 POOL ENLARGEMENT PLAN
SCALE: 1/4" = 1'-0"



2 POOL SECTION
SCALE: 1/4" = 1'-0"

POOL DESIGN NOTES:

1. GUNITE POOL WITH DIAMOND BRITE FINISH, COLOR TBD
2. COPING BY RIVIERA STONEWORKS, COLOR: FRENCH GRAY
3. 6" X 6" WATERLINE TILE TO TBD
4. 3" X 3" TILE INSET FOR STEP & BENCH VISIBILITY
5. POOL LIGHTS TBD
6. (4) PENCIL JETS INSTALLED IN COPING
7. (2) BUBBLERS INSTALLED ON SUNSHELF

Liz Seal
landscape designer

P: 228-493-7286
E: lizseal79@gmail.com

HARDSCAPE - POOL DETAILS
Roth Residence
346 Main Street
Bay St Louis, MS



CONSTRUCTION DOCUMENTS

Scale: 1" = 10'-0"

Drawn by: LYS

Date: 9-25-25

Rev: 10-15-25

SHEET H3 of 6