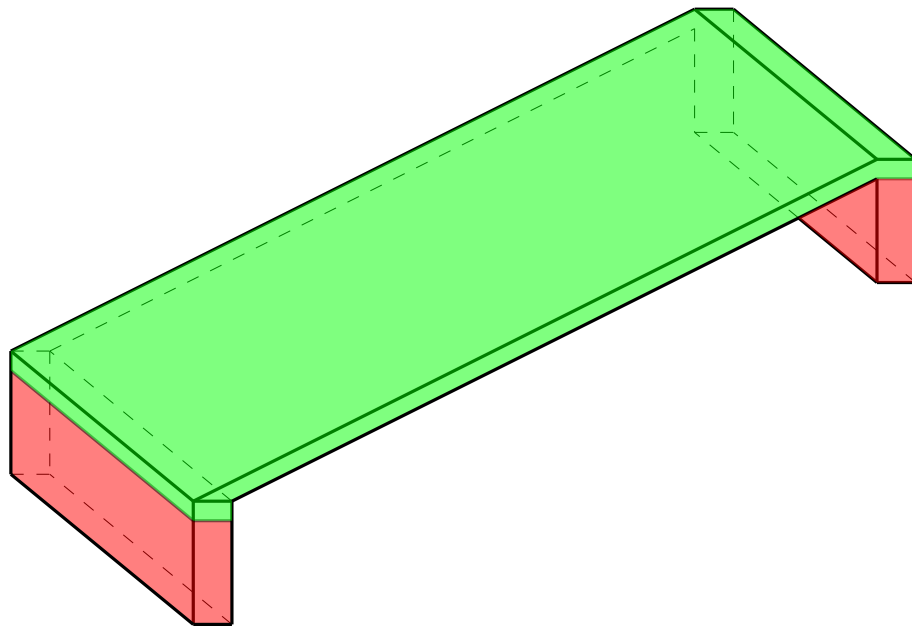


DATE: 7/9/2021 9:04:08 AM
FILE: \$FILE\$



TOE WALLS (INCIDENTAL TO
CONCRETE SLOPE PAVING)



4" CONCRETE SLOPE PAVING

SCALE: NTS



JONES CARTER

Texas Board of Professional Engineers Registration No. F-439
6330 West Loop South, Suite 150 • Bellaire, Texas 77401 • 713.777.5337

**NILE VALLEY ROAD
CONCRETE SLOPE
PAVING EXHIBIT**

DRAWN	NILE VALLEY ROAD		SHEET NO.
BTG			
DESIGNED			1
BTG			
CHECKED	CITY OF BAY CITY		
MBB	STATE	COUNTY	
APPROVED	TEXAS	HARRIS	
MBB			