



Print Form

Sole Source Justification (Reference Article 6, Procurement Source Selection Methods and Contract Awards, § 1-10-56 SOLE SOURCE PROCUREMENT

Vendor: J.H. Wright & Associates E-Verify Number: 477196

Commodity: Chemical Feed Pumps

Estimated annual expenditure for the above commodity or service: \$ 27,410.00

Initial all entries below that apply to the proposed purchase. Attach a memorandum containing complete justification and support documentation as directed in initialed entry. (More than one entry will apply to most sole source products/services requested).

- 1. SOLE SOURCE REQUEST IS FOR THE ORIGINAL MANUFACTURER OR PROVIDER, THERE ARE NO REGIONAL DISTRIBUTORS. (Attach the manufacturer's written certification that no regional distributors exist. Item no. 4 also must be completed.)
2. SOLE SOURCE REQUEST IS FOR ONLY THE AUGUSTA GEORGIA AREA DISTRIBUTOR OF THE ORIGINAL MANUFACTURER OR PROVIDER. (Attach the manufacturer's — not the distributor's — written certification that identifies all regional distributors. Item no. 4 also must be completed.)
3. THE PARTS/EQUIPMENT ARE NOT INTERCHANGEABLE WITH SIMILAR PARTS OF ANOTHER MANUFACTURER. (Explain in separate memorandum.)
4. THIS IS THE ONLY KNOWN ITEM OR SERVICE THAT WILL MEET THE SPECIALIZED NEEDS OF THIS DEPARTMENT OR PERFORM THE INTENDED FUNCTION. (Attach memorandum with details of specialized function or application.)
5. THE PARTS/EQUIPMENT ARE REQUIRED FROM THIS SOURCE TO PERMIT STANDARDIZATION. (Attach memorandum describing basis for standardization request.)
6. NONE OF THE ABOVE APPLY. A DETAILED EXPLANATION AND JUSTIFICATION FOR THIS SOLE SOURCE REQUEST IS CONTAINED IN ATTACHED MEMORANDUM.

The undersigned requests that competitive procurement be waived and that the vendor identified as the supplier of the service or material described in this sole source justification be authorized as a sole source for the service or material.

Name: Stephen Orton Department: 4416 Date: 9/3/2024

Department Head Signature: Frank W Byns Date: 3Sept24

Approval Authority: [Signature] Date: 9/3/24

Administrator Approval: (required – not required) Date:

COMMENTS:



UTILITIES DEPARTMENT

Wes Byne, P.E.
Director

TO: Geri Sams
Director, Procurement Department

THRU: Wes Byne, P.E. *FWB*
Director, Utilities Department

FROM:

CC:

DATE: 9/3/2024

SUBJECT: SOLE SOURCE of Verdeflex Pumps

This is a sole source for J.H Wright & Associates for the purchase of Verderflex Pumps, they are the only Distributor that can sell these Pumps in Georgia.(see attached letter). We already use this pump in our process and the new pumps will fit into the same footprint as the older pumps, without more cost to have to revamp the footprint for a different manufacture.



05/02/2023

Re: Sourcing Verder Products

Augusta Utilities

To whom it may concern,

Please use this letter as verification that J.H. Wright & Associates are our exclusive sales representative for all direct/aftermarket sales of Verderflex products in the state of Georgia. This includes all our pumps, parts, and accessories. All inquiries, purchase orders, and requests for service should be directed to J.H. Wright for consideration.

If there are any questions or concerns, feel free to contact myself or the main office at any time.

Sincerely,
Dustin Adams

Regional Sales Manager – East / Municipal



Verder, Inc. HQ

312 Corporate Parkway, Suite 101

Macon, GA 31210

Tel: 877-783-7337

Fax: 877-471-3569

Website: www.verder-us.com

Home Office: NE Indiana

Cell: 478-283-6994

Email: dustin.adams@verder-us.com



J. H. WRIGHT & ASSOCIATES
 P. O. BOX 1085
 DAPHNE, AL
 PHONE 888-655-7867 / 251-621-1491
 FAX 251-621-8111

QUOTATION # DF0824-21
 DATE: 8/26/2024

PREPARED BY:
 David Foster

TO:	<i>Chris Washington</i>	PROJECT:	<i>Verder Dura 35 Upgrade</i>
COMPANY:	<i>Augusta Utilities</i>	MODEL/SN:	<i>Dura 35</i>
	<i>2835 Central Ave</i>	LOCATION:	
	<i>Augusta, GA 30909</i>	PO#	
PHONE:	<i>706-840-6802</i>	ENGINEER:	
EMAIL:	<i>cwashington3@augustaga.gov</i>	CONTACT:	
SPECS			
CREDIT TERMS:	<i>Net 30 Upon Shipment</i>	PROVIDED VIA:	<i>Chris Washington</i>
DELIVERY:	<i>4-6wks</i>	FREIGHT:	<i>Allowed/Delivered</i>

<u>QUANTITY</u>	<u>DESCRIPTION</u>	<u>Price Each</u>
2	Dura 35 Standard Pump Unit with EPDM Hose and VFOCS Leak Detection; Standard Pressure Rotor up to 90psi; 1.25" 316ss ANSI flanges	\$ 13,705.00

TOTAL SELLING PRICE \$ 27,410.00

- Notes:**
1. Freight IS included in the pricing
 2. Manufacturer's standard pump warranty applies

- 1 Due to today's highly volatile materials and labor market, pricing is guaranteed for only 30 days from the date of this quote.
- 2 Under no circumstances are "Retainage Fees" allowed.
- 3 All material is subject to the design engineer's final approval of submittals.
- 4 Our prices do not include any Federal, State or Local sales taxes.
- 5 All quotations are for material only and do not include any labor or installation unless otherwise noted.
- 6 Manufacturer's standard warranty applies to all products.
- 7 JHW standard terms and conditions apply (see attached).
- 8 Should the services of a collection agency, attorney, or other legal service become necessary for collection, purchaser shall assume responsibility for all expenses accrued in the collection process.
- 9 Any material held at JHW's warehouse will be invoiced based on customer's original required date and payment is due per the terms described in "Credit Terms" above.

The undersigned agrees to, and has the authority to, bind purchaser to the terms and conditions and equipment above:

SIGNATURE: _____ **DATE:** _____

Verderflex

Dura 35



VERDERFLEX®

Description

The Verderflex Dura 35 is a compact, high pressure medium flow hose pump with superior secondary containment. Designed for dosing, metering, sampling, high lift or medium head applications in brewing, chemical processing, industrial plants, water treatment and effluent and waste water processing

Features and benefits

- Ideal for abrasive or high solid content slurries
- Self Priming, problem free pumping of gaseous liquids
- Easily pumps viscous liquids
- Gentle low shear pumping action
- Dry running capabilities
- Long life hoses
- No seals or valves
- FDA CFR21 and EC/1935, optional ATEX

Technical data

Maximum Flow Rate	5488 l/h	Maximum Medium Temperature	80°C *
Maximum Discharge Pressure	16 bar	Maximum Incompressible Solid Size	3.5 mm
Maximum Suction Lift	9.5 mwc	Maximum Compressible Solid Size	8.75 mm
Hose ID	35 mm		

* Continuous use with NR hose

Materials

Description	Material	Paint Detail
Pump Housing	Cast Iron (GG25)	Green Powder Coated
Front Cover	Carbon Steel with Plexiglass Inspection Window	Powder Coated
Rotor	Cast Iron (GG25)	
Drive Shaft	EN24T Steel	
Port Flange	316 Stainless Steel Universal slotted design fits with DIN PN16 DN32, ANSI 150# 1 1/4" & JIS10K 32 Options: 304 Stainless Steel with Polypropylene or P.V.D.F Insert*	
Mounting Frame	Carbon Steel	Powder Coated
Gearbox Flange	Aluminium	
Bearing	Bearing Steel	
Shaft Seal	Viton Option: PTFE	
Lubricant	Verderlube - Glycerine based lubricant** Verdersil - Silicone based lubricant***	
Hose	Natural Rubber (NR) Options: Nitrile Buna Rubber (NBR) Ethylene Propylene Diene Monomer (EPDM), Food Grade Nitrile Buna (NBRF), Hypalon® (CSM) and Verderprene	
Weight	Complete pump excluding drive: 70 kg	

* Temperature Limit for PP Insert is 40°C and for PVDF Insert is 80°C.

** Temperature Limit for Verderlube is 50°C.

*** Suitable for application above 50°C, but subject to maximum temperature limit of the hose and applications involving strong oxidising agents and nitrogenous compounds.

Verderflex

Dura 35

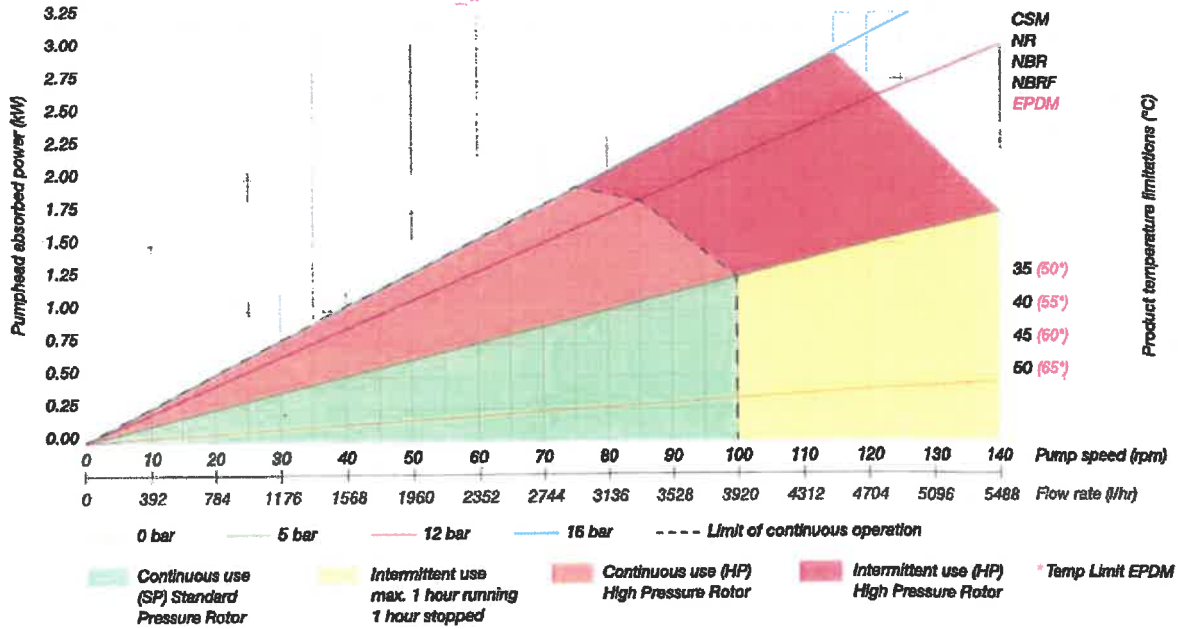


VERDERFLEX®

Standard Pump Options for 50Hz Motor Fitted With Worm Gearbox, Suitable for Inverter Duty

Flow l/hr	Pump Speed RPM	Installed Motor Power kW	Max Turndown at 6 Bar discharge pressure
431	11	0.55	1.5:1
706	18	1.1	2:1
1098	28	1.5	2:1
1372	35	1.5	2:1
1842	47	1.5	2:1
2744	70	2.2	3:1

Performance curve



Any application below 15 Hz may require special review. Flows are typical and were measured with water at 20°C with no suction lift or discharge pressure. Actual flows will vary according to suction conditions, discharge pressure and normal component production tolerances.

DURA PUMPS OPERATING ABOVE 6 BAR REQUIRE CONSULTATION WITH MANUFACTURER OR DISTRIBUTOR.

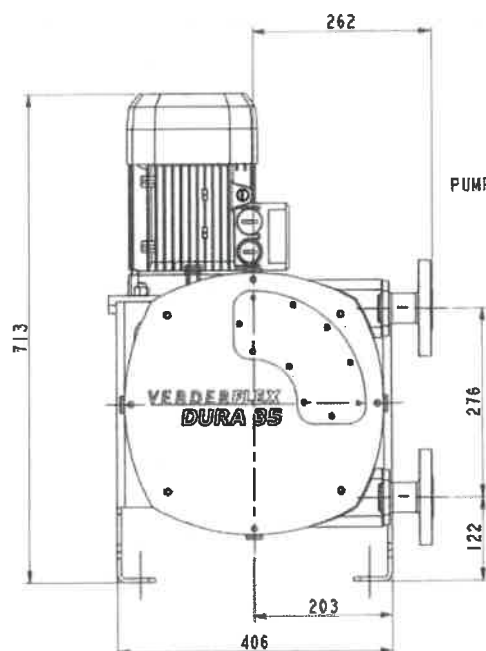
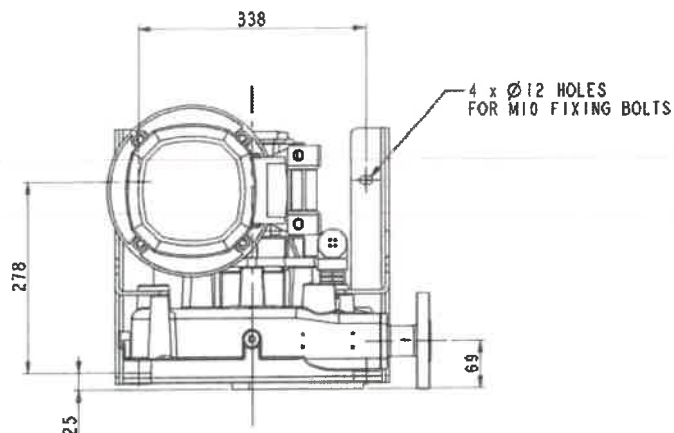
Verderflex

Dura 35

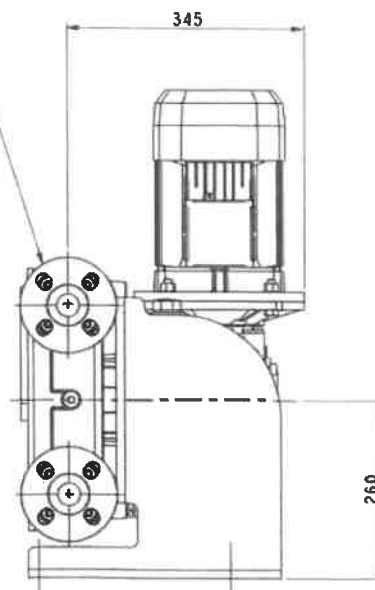


VERDERFLEX®

Dimensions



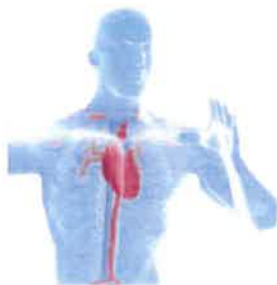
INLET / DISCHARGE
FLANGE OPTIONS: -
DN32 - PN16
1 1/4" - ANSI 1501b
32 - JIS 10k
PUMP CAN RUN IN EITHER DIRECTION



GMU MOTOVARIO NMRVP090 FA BN100 B5

All dimensions are in mm.

All dimensions and weights are for guidance only.



Find your local supplier at www.verderflex.com

For construction, installation and floor mounting drawings
please contact your local authorised Verderflex® distributor.

VERDER
passion for pumps