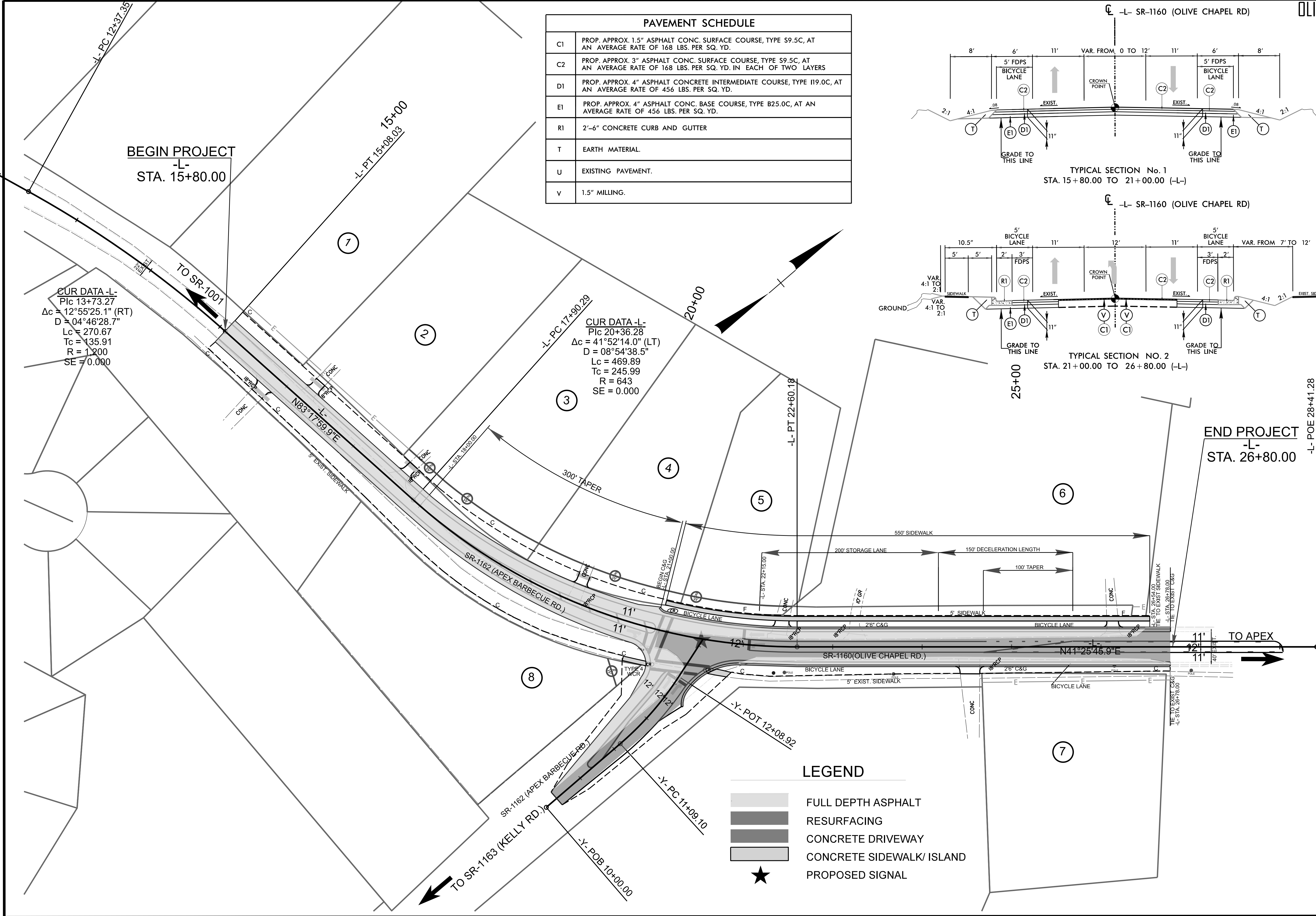
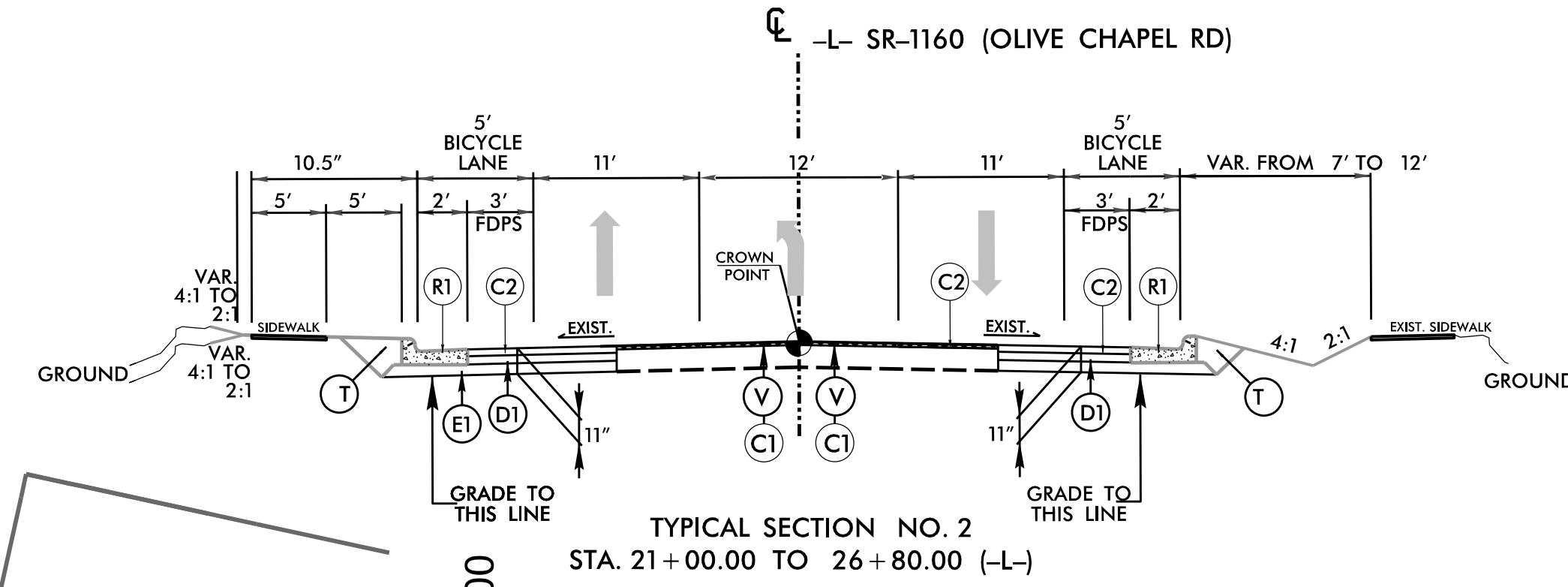
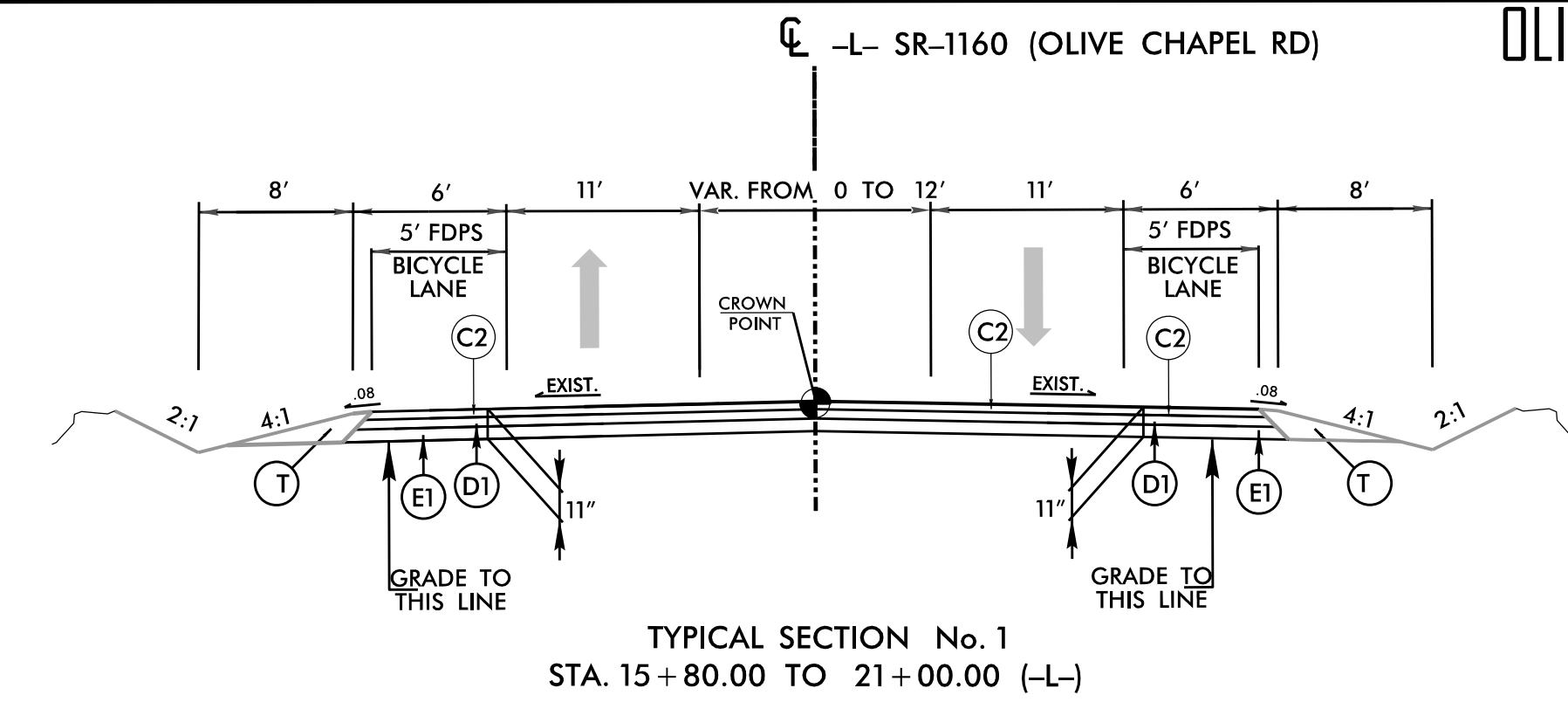


PAVEMENT SCHEDULE	
C1	PROP. APPROX. 1.5" ASPHALT CONC. SURFACE COURSE, TYPE S9.5C, AT AN AVERAGE RATE OF 168 LBS. PER SQ. YD.
C2	PROP. APPROX. 3" ASPHALT CONC. SURFACE COURSE, TYPE S9.5C, AT AN AVERAGE RATE OF 168 LBS. PER SQ. YD. IN EACH OF TWO LAYERS
D1	PROP. APPROX. 4" ASPHALT CONCRETE INTERMEDIATE COURSE, TYPE I19.0C, AT AN AVERAGE RATE OF 456 LBS. PER SQ. YD.
E1	PROP. APPROX. 4" ASPHALT CONC. BASE COURSE, TYPE B25.0C, AT AN AVERAGE RATE OF 456 LBS. PER SQ. YD.
R1	2'-6" CONCRETE CURB AND GUTTER
T	EARTH MATERIAL.
U	EXISTING PAVEMENT.
V	1.5" MILLING.



CUR DATA -L-
P/c 13+73.27
 $\Delta c = 12^\circ 55' 25.1''$ (RT)
D = 04'46"28.7"
Lc = 270.67
Tc = 135.91
R = 1,200
SE = 0.000

CUR DATA -L-
P/c 20+36.28
 $\Delta c = 41^\circ 52' 14.0''$ (LT)
D = 08'54"38.5"
Lc = 469.89
Tc = 245.99
R = 643
SE = 0.000

DIVISION 05
WAKE COUNTY
PREPARED BY:
LC & TRM

25' 0' 25' 50'
25'
(ENGLISH)
SCALE: 1"=50'

DATE: 10/28/2024

