



Purchasing Co-Op / Contract #:	BuyBoard Contract #: 677-22 (Expires 9/30/24)
Project Name:	B.G. Peck Soccer Complex
Project City-State:	Angleton, TX
Quote Date:	12/19/2023
Type of Field(s):	<b>**OPTION #2** - (2)-SOCCER FIELD #1 &amp; #2 LED Retrofit</b>
Photometrics Per Design #:	38FC Avg. Light Level BOTH FIELDS / Design #23-9240-SC
Warranty:	Includes Our 10 Year Maintenance <u>FREE</u> Warranty

Quantity	Description
72	TSL800W LED w/ Standard Visor
72	TSL800W 20" Extended Visor
1	Synapse Wireless Control Hub w/ 10 Years BASIC Remote Access (Cellular Connection provided by Synapse)
72	Prewiring for Poles and Crossarms (Dimming Controls - Synapse Controls)
72	Retrofit Installation Hardware Kit (bolts, washers, wire nuts, etc...)

<p><b>Project Notes:</b></p> <ul style="list-style-type: none"> <li>➤ Price includes all materials listed above (excluding adders &amp; deducts).</li> <li>➤ Price includes delivery to jobsite.</li> <li>➤ Price firm for 30 days.</li> <li>➤ Allow 4-6 weeks for delivery.</li> <li>➤ Price does <b>NOT</b> include SALES or USE taxes.</li> <li>➤ All work to be performed that requires a license, including but not limited to electrical &amp; plumbing will be performed by individuals currently licensed in the proper jurisdiction.</li> </ul>
--

<p><b>Warranty Notes:</b></p> <ul style="list-style-type: none"> <li>➤ Seller warrants that Equipment furnished or manufactured by Seller will be free from defects in material and workmanship for a period - of <b>10 years</b> from date of shipment.</li> <li>➤ Seller will replace any defective material for the entire <b>10 year</b> period.</li> <li>➤ Techline will make every effort to maintain any component of our sports lighting system for the entirety of the warranty period.</li> </ul>
---

<p><b>TURNKEY Installation Notes:</b></p> <ul style="list-style-type: none"> <li>➤ Allow 2-3 weeks for Turnkey Installation.</li> <li>➤ Pole locations must also be accessible with standard lift and not obstructed by fencing, buildings, etc. (<i>special lift &amp; matting charges not included</i>)</li> </ul> <p><input checked="" type="checkbox"/> <b>INCLUDES:</b></p> <ul style="list-style-type: none"> <li>✓ Demolition &amp; Disposal of existing Metal Halide sports lighting fixtures.</li> <li>✓ Mounting &amp; Re-Connecting new 800W LED fixtures in place, including lifts and equipment needed. Includes new mounting hardware, bolts, washers, nuts. Install new inline fusing onto existing circuits feeding the poles. Inspect/Repair/Replace existing wiring if needed.</li> <li>✓ Using existing underground conduit and wiring to each pole. No more than 3% voltage drop shall be allowed.</li> <li>✓ Complete Final Fixture aiming and make adjustments (if needed), Final Light Test on Field, commissioning of Controls, on-site control training, and final clean up.</li> <li>✓ All wiring to be copper type THHN.</li> <li>✓ This Proposal based on using the existing 480V 3Ø service at the north end of the complex.</li> <li>✓ All permits, fees and inspections associated with the project.</li> <li>✓ All electrical installation to meet National Electric Code requirements.</li> </ul> <p><input checked="" type="checkbox"/> <b>EXCLUDES:</b></p> <ul style="list-style-type: none"> <li>✗ Bid Bond, Payment &amp; Performance Bond</li> <li>✗ Electrical Engineering or Stamped Electrical Drawings</li> </ul> <p style="text-align: right;"><b>Total Including Turnkey Install = \$178,000.00</b></p>
--



\*\*\* DISCLAIMER \*\*\*

DESIGN BASED OFF OF LATEST SATELLITE IMAGES AVAILABLE AT THE TIME OF DESIGN. ALL MESAUREMENTS/POLE LOCATIONS NEED TO BE FIELD VERIFIED FOR ACCURACY AND APPROVED BEFORE PRODUCTION CAN BEGIN."

Pole Wattage Summary	
Scene: DEFAULT	
Label	Total Watts
P01	4800
P02	4800
P03	4800
P04	9600
P05	9600
P06	9600
P07	9600
P08	9600
P09	9600
P10	4800
P11	4800
P12	4800
TOTAL	86400

Pole Summary		
Scene: DEFAULT		
Poles	# Lums	MH
P01	6	70'
P02	6	70'
P03	6	70'
P04	12	70'
P05	12	70'
P06	12	70'
P07	12	70'
P08	12	70'
P09	12	70'
P10	6	70'
P11	6	70'
P12	6	70'

Luminaire Schedule					
Scene: DEFAULT					
Symbol	Qty	Label	LLF	Lum. Watts	Arrangement
	24	TSLW-EV-NLV	0.950	800	Single
	84	TSLM-EV-NLV	0.950	800	Single

Calculation Summary											
Scene: DEFAULT											
Label	Area Size	Units	Avg	Max	Min	Max/Min	# Pts	PtSpcLr	PtSpcTb	CV	UG
SOCCER #1	330' x 210'	Fc	38.64	46.4	32.0	1.45	77	30	30	0.09	1.36
SOCCER #2	330' x 210'	Fc	37.42	44.2	29.0	1.52	77	30	30	0.10	1.30
SOCCER #3	330' x 210'	Fc	38.29	45.2	30.6	1.48	77	30	30	0.09	1.35



**B.G. Peck Soccer Complex**  
 Angleton, TX  
**SOCCER - 35 FC**  
**23-9240-SC-AGI**

1. THIS LIGHTING DESIGN IS BASED ON INFORMATION SUPPLIED BY OTHERS. SITE DETAILS PROVIDED HEREON ARE REPRODUCED ONLY AS A REFERENCE AND FIELD CONDITIONS MAY SIGNIFICANTLY AFFECT PREDICTED PERFORMANCE. PRIOR TO INSTALLATION, CRITICAL SITE INFORMATION (POLE LOCATION, OBSTRUCTION, MOUNTING HEIGHT, ETC.) SHOULD BE COORDINATED WITH THE CONTRACTOR AND/OR SPECIFIER RESPONSIBLE FOR THE PROJECT.  
 2. LUMINAIRE DATA IS TESTED TO INDUSTRY STANDARDS UNDER LABORATORY CONDITIONS. OPERATING VOLTAGE AND NOMINAL MANUFACTURING TOLERANCES OF LUMINAIRE ASSEMBLY AND LUMINAIRE MAY AFFECT FIELD RESULTS.  
 3. COMPLIANCE TO FACILITY CODE AND OTHER LOCAL REQUIREMENTS IS THE RESPONSIBILITY OF THE OWNER AND/OR THE OWNER'S REPRESENTATIVE.

DRAWN BY: AMP  
 Date: 12/18/2023  
 SCALE: 1:40  
 Page 1 of 1  
 23-9240-SC-AGI

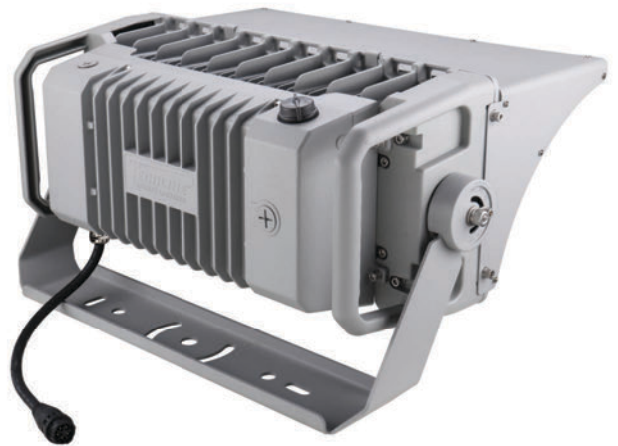
800 WATT

FIXTURE

Qty - 72



Standard Visor



Extended Visor (optional)



## 800 WATT

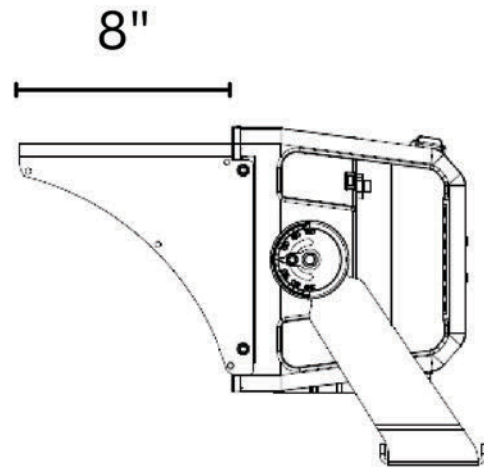
## TECHNICAL DATA

SYSTEM WATTS	800w
LUMEN OUTPUT	120,000
EFFICACY	150 LM/W
EPA	1.9
WEIGHT	45 lbs
BEAM ANGLE	N, M, W, EW
POWER FACTOR	0.99
CCT	5700K
CRI	>70Ra
INPUT VOLTAGE	200-480v
INPUT PROTECTION	10KV Current Surge
DRIVER	Integral, Remote
IP RATING	IP65
OPERATING TEMP RANGE	-40° C to +45°C
HOUSING MATERIAL	Alumimum, Powder Coated

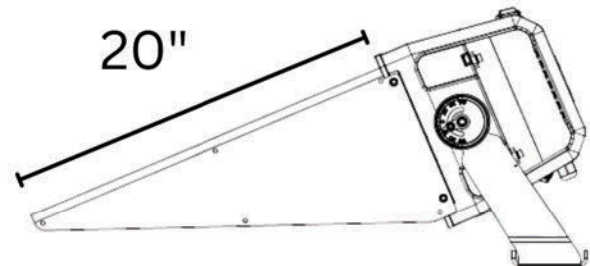
800 WATT

VISOR OPTIONS

Standard Visor



Extended Visor (optional)



Fixture Aimed at 23° Below  
Horizontal